

LAPPSET®

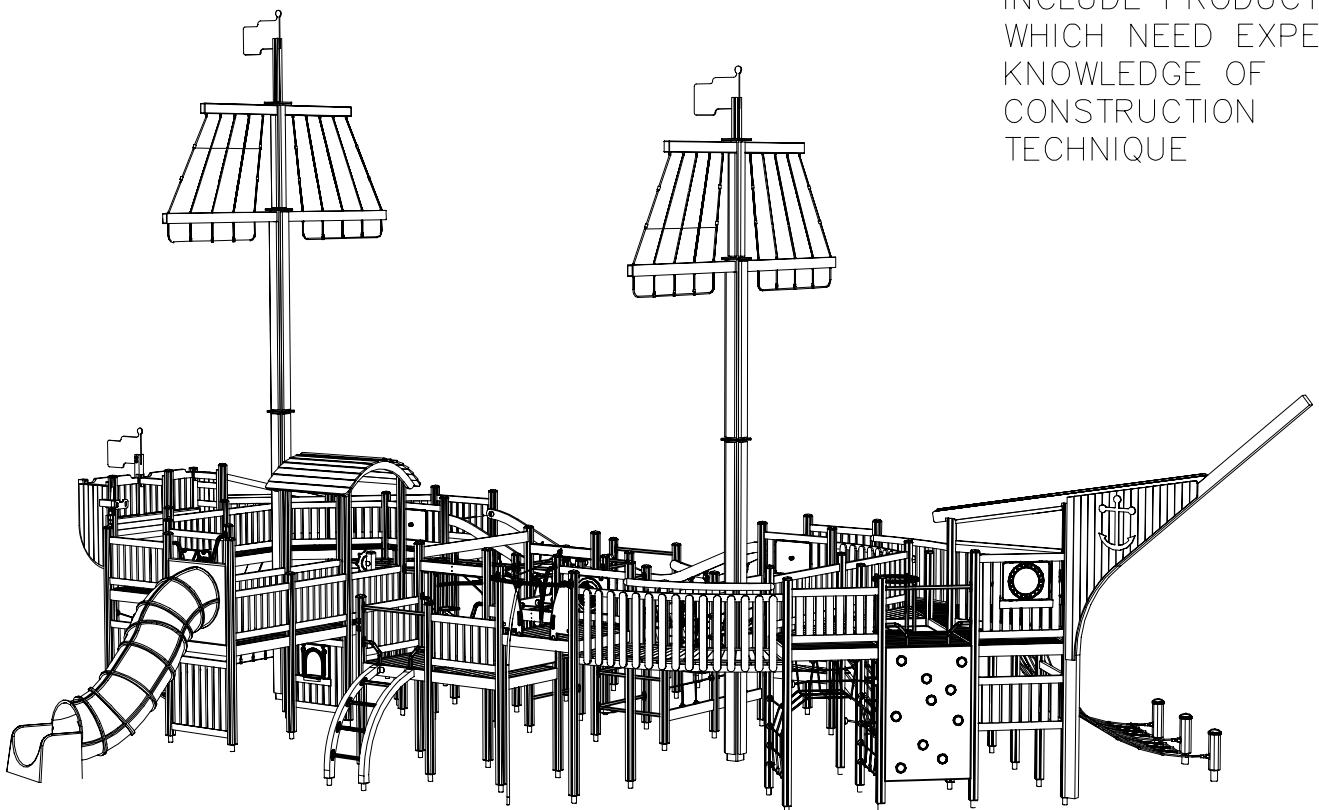
FINNO

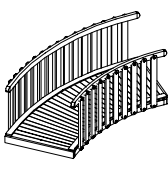
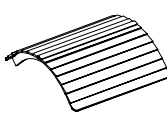
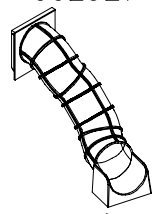
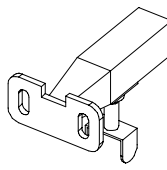
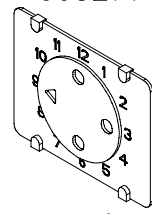
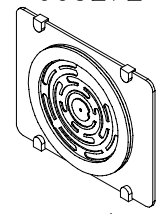
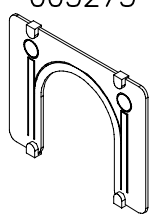
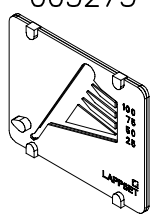
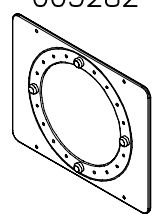
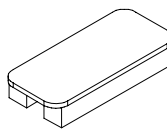
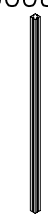
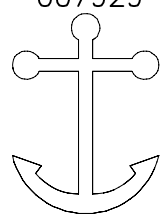
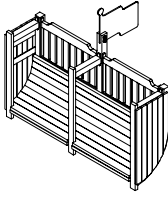
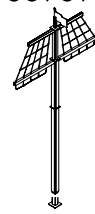
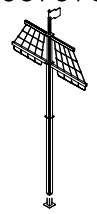
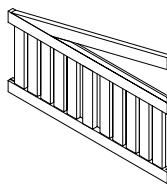
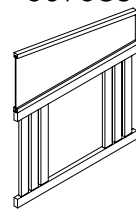
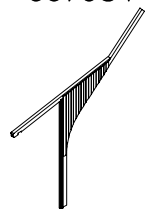
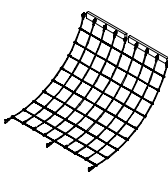
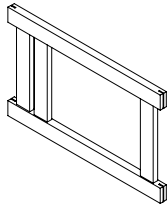
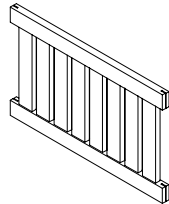
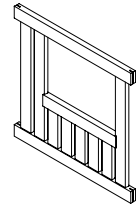
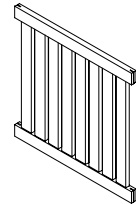
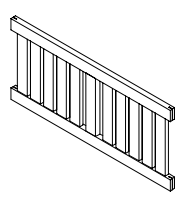
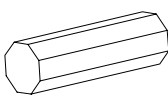
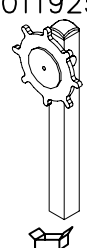
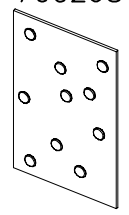
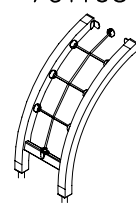
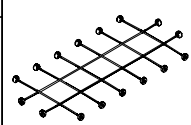
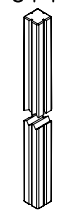
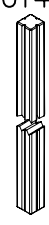


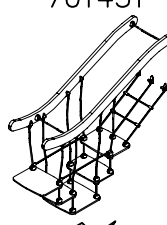

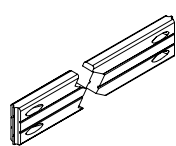
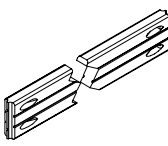
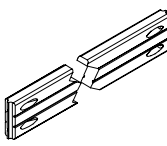
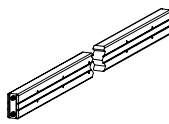
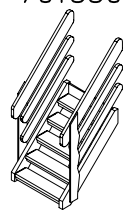
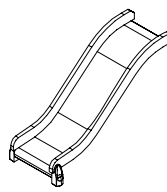
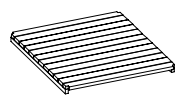
ASENNUSOHJE
MONTERINGSANSVISNING
INSTALLATION INSTRUCTION
AUFBAUANLEITUNG
NOTICE D'INSTALLATION

REF: 120828
DATE: 30.9.2010

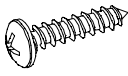
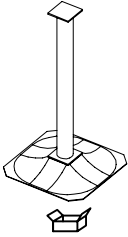
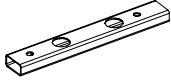
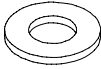
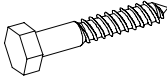
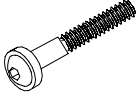
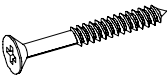


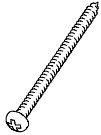
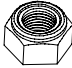

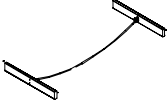

120828

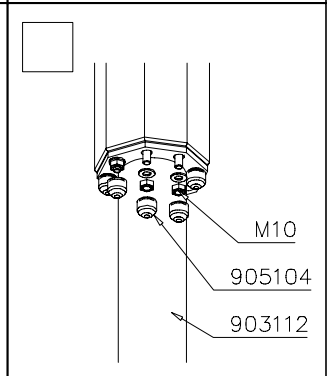
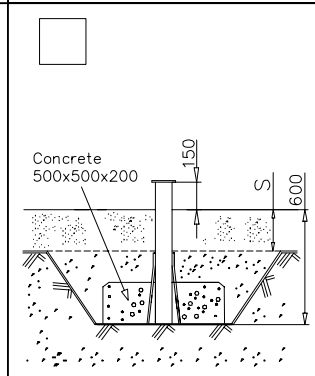
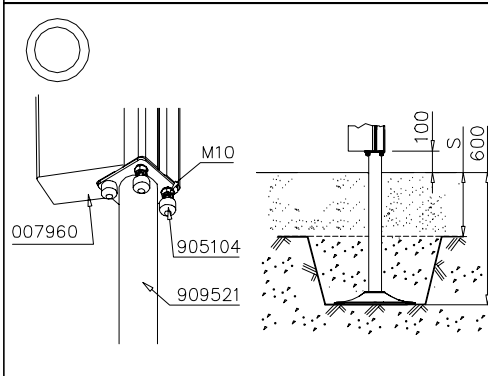
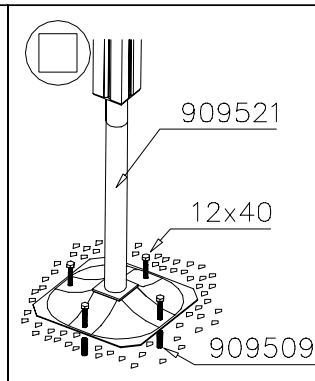
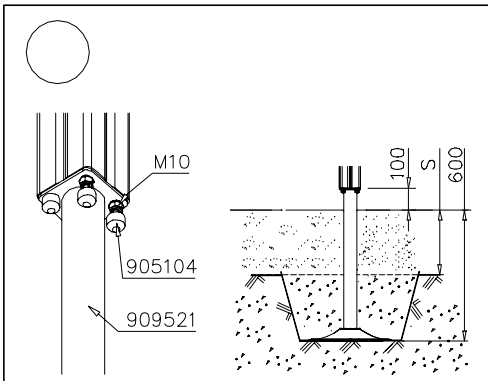
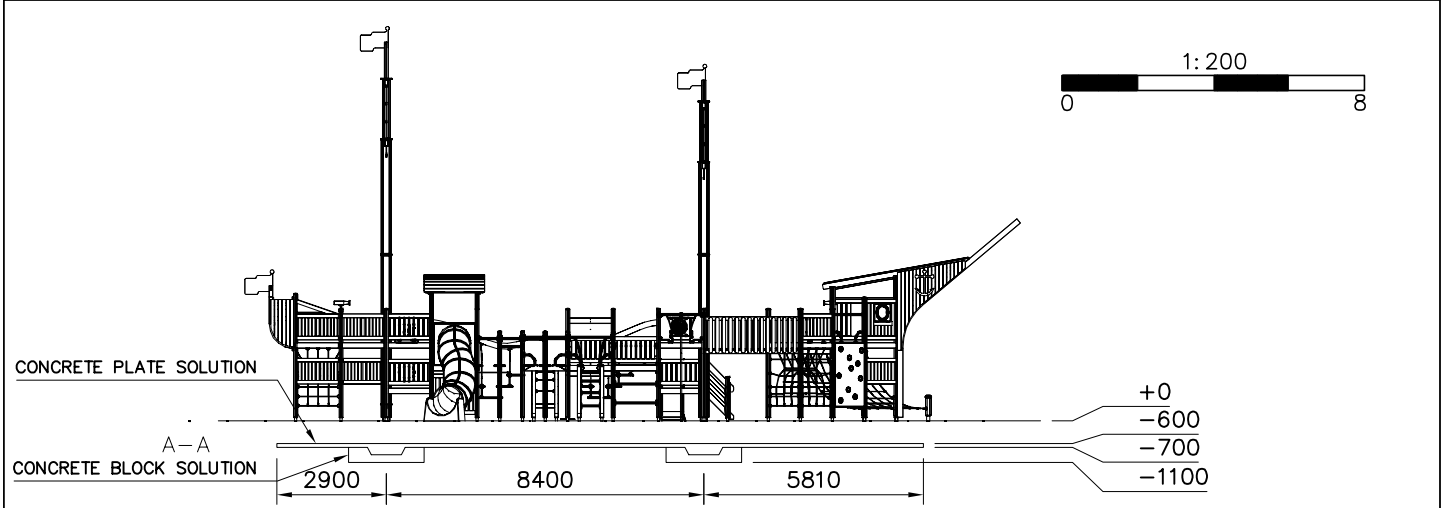
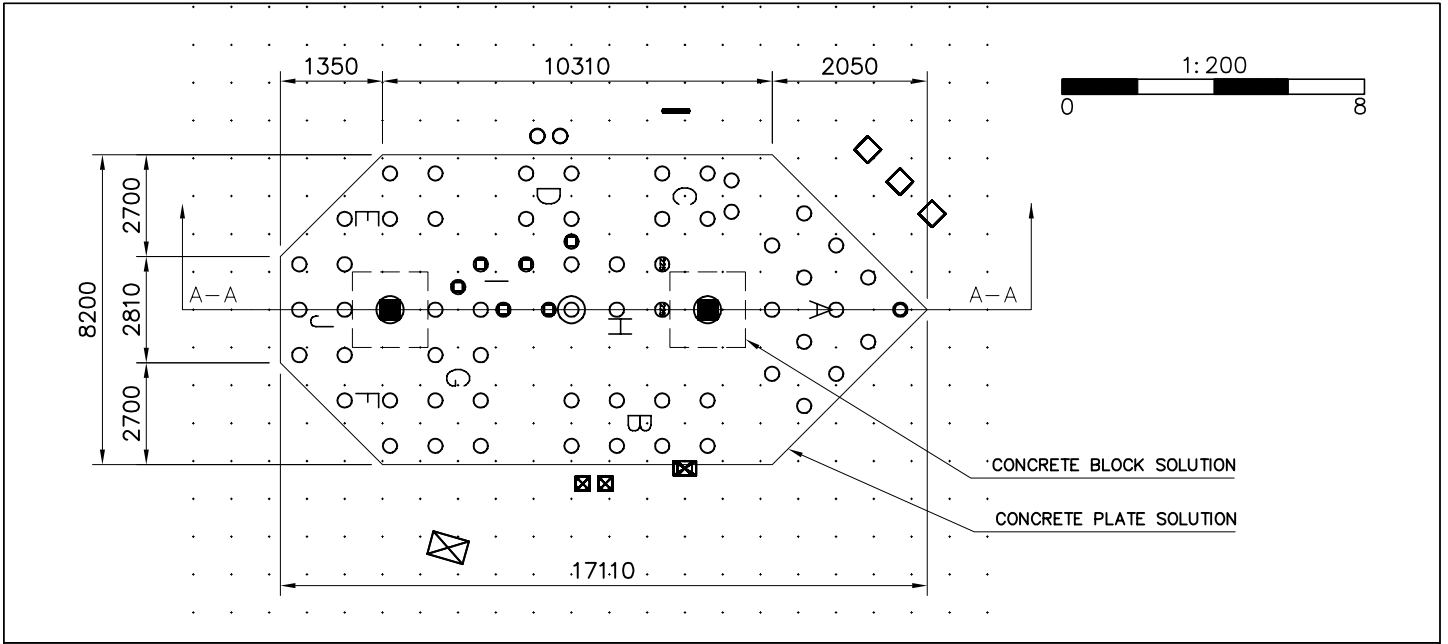
INCLUDE PRODUCT
WHICH NEED EXPERT
KNOWLEDGE OF
CONSTRUCTION
TECHNIQUE



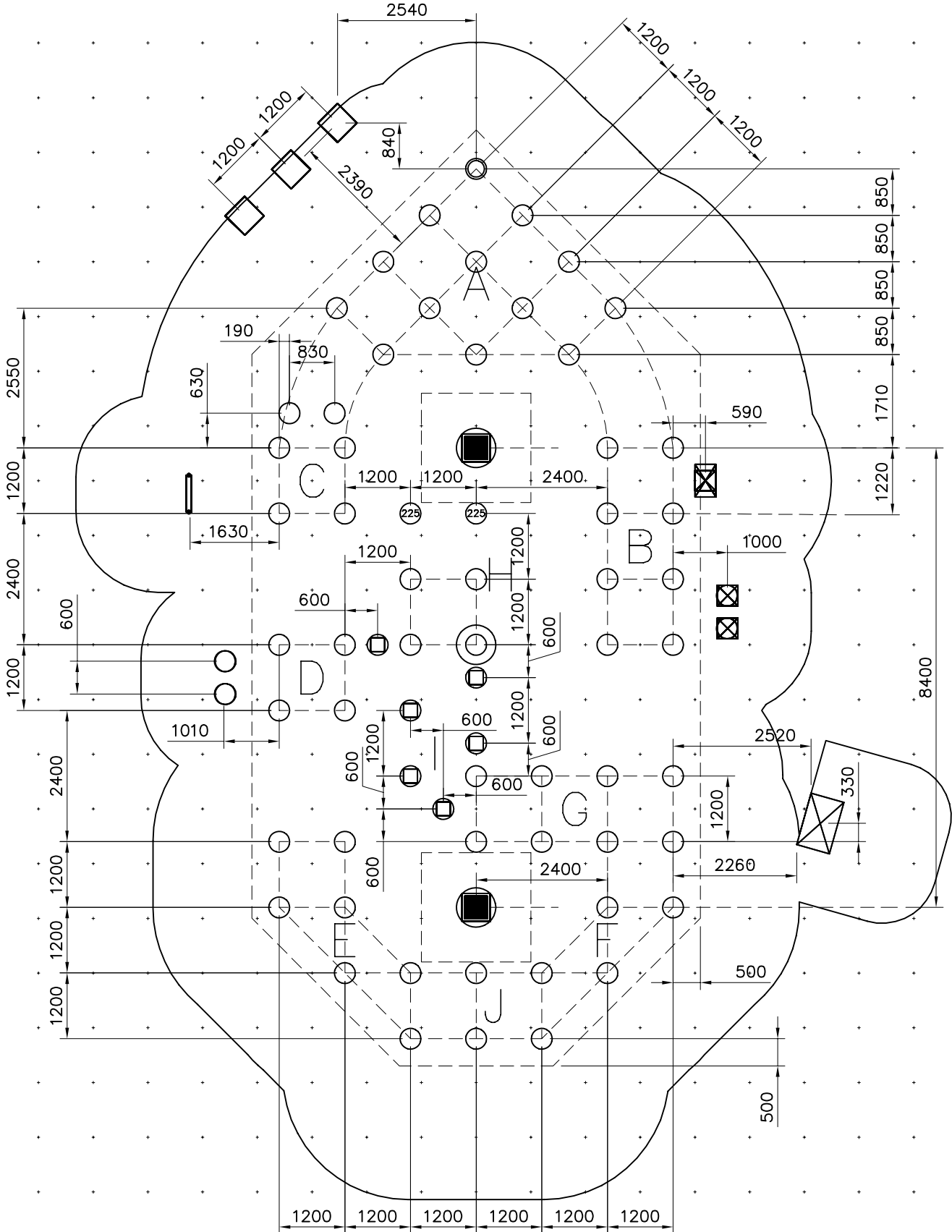
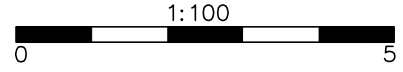
001825  L 475 PCS 2	002780  PCS 1	002927  PCS 1	003974  PCS 2	005271  PCS 3	005272  PCS 2
005273  PCS 1	005275  PCS 1	005282  PCS 2	005285  PCS 1	006827  L 3250 PCS 3	007929  PCS 2
007972  PCS 1	007978  PCS 1	007979  PCS 1	007981  PCS 2	007983  PCS 1	007984  PCS 1
007987  PCS 1	007998  PCS 6	007999  PCS 18	008000  PCS 3	008001  PCS 1	008002  PCS 8
009331  L 475 PCS 3	011925  PCS 1	700268  PCS 1	701105  PCS 1	701285  1200x2400 PCS 1	701413  L 1050 PCS 2
701428  L 2250 PCS 17	701434  L 2850 PCS 35	701437  L 3450 PCS 5	701451  PCS 2	701470  L 3150 PCS 2	701482  L 1104 PCS 84
701486  L 2304 PCS 1	701494  L 1104 PCS 2	701520  L 2280 PCS 2	701550  PCS 1	701556  PCS 1	701557  PCS 20

701563 PCS 1	701569 PCS 8	701574 PCS 8	701582 PCS 1	701594 PCS 1	701605 PCS 1
701606 PCS 1	701623 PCS 2	701660 PCS 3	701666 PCS 7	701734 PCS 1	701928 PCS 1
702286 PCS 1	702339 PCS 1	702722 PCS 1	702740 PCS 4	702744 PCS 2	702792 PCS 3
90x50 702943 PCS 3	90x50 900240 PCS 300	901600 PCS 1	L 1018 901782 PCS 8	901785 PCS 21	901790 PCS 4
901792 PCS 2	901798 PCS 12	901947 PCS 2	902487 PCS 2	903112 PCS 3	905051 PCS 348
905083 PCS 36	905102 PCS 8	905103 PCS 8	65x65 905104 PCS 300	905112 PCS 36	905138 PCS 57
Ø32 905139 PCS 3	SR-H-2040 905196 PCS 57	PT-28/32-H 905197 PCS 3	909117 PCS 24	909235 PCS 12	909238 PCS 348
BLACK	GREY	BLACK	M8x100	8x60	8x90

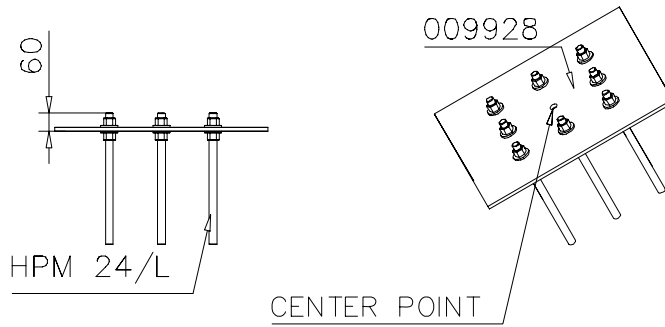
909506	PCS	909521	PCS	909578	PCS	909638	PCS	909862	PCS	909867	PCS
	8		69		4		8		8		8
Ø3.5x13						Ø20/10.5		10x60		M8x70	
980102	PCS	980123	PCS	980128	PCS	980131	PCS	980150	PCS	980151	PCS
	12		52		18		240		32		36
5x40		Ø7x60		Ø6x45		Ø6x60		M8		Ø16/8.4	
AL0100	PCS		PCS		PCS		PCS		PCS		PCS
	2										
											
	PCS		PCS		PCS		PCS		PCS		PCS
	PCS		PCS		PCS		PCS		PCS		PCS
	PCS		PCS		PCS		PCS		PCS		PCS



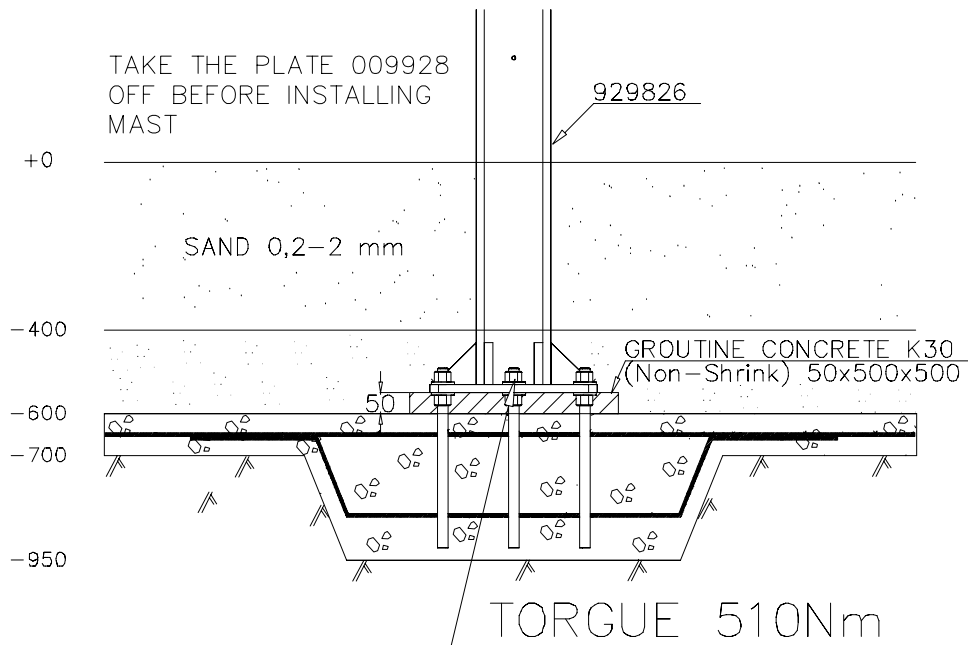
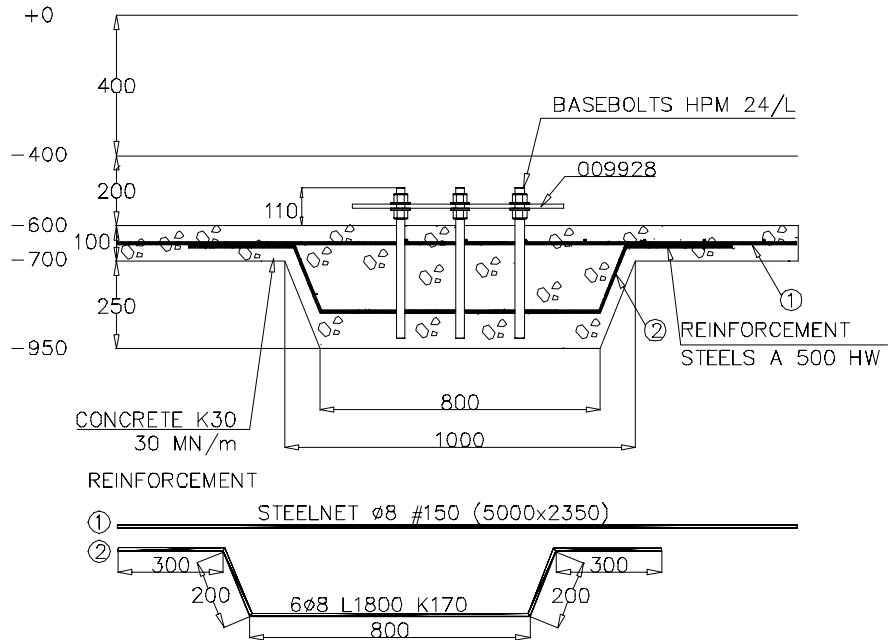
AS 4685.1 Impact Area 221.3 m²
Grid size = 1000 mm.



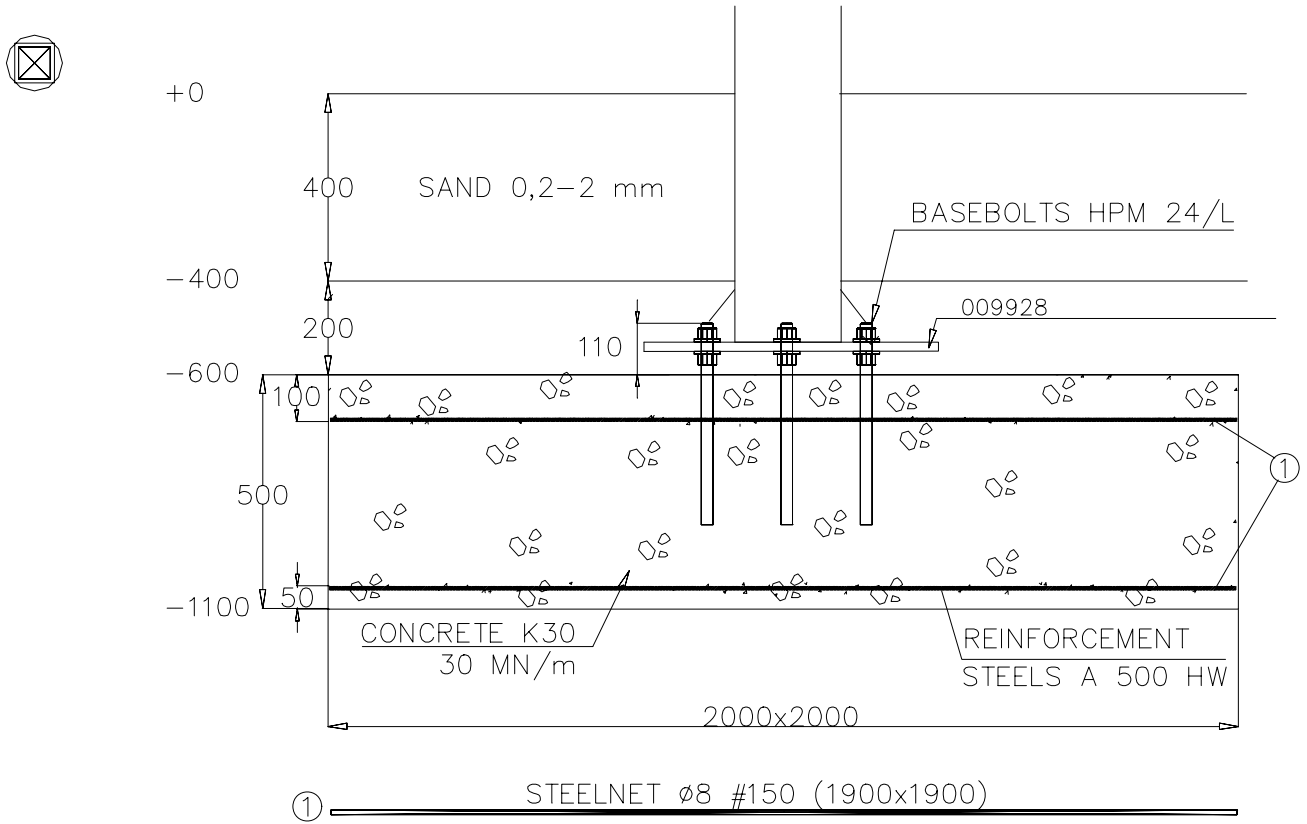
START POINT (CENTER TO CENTER)



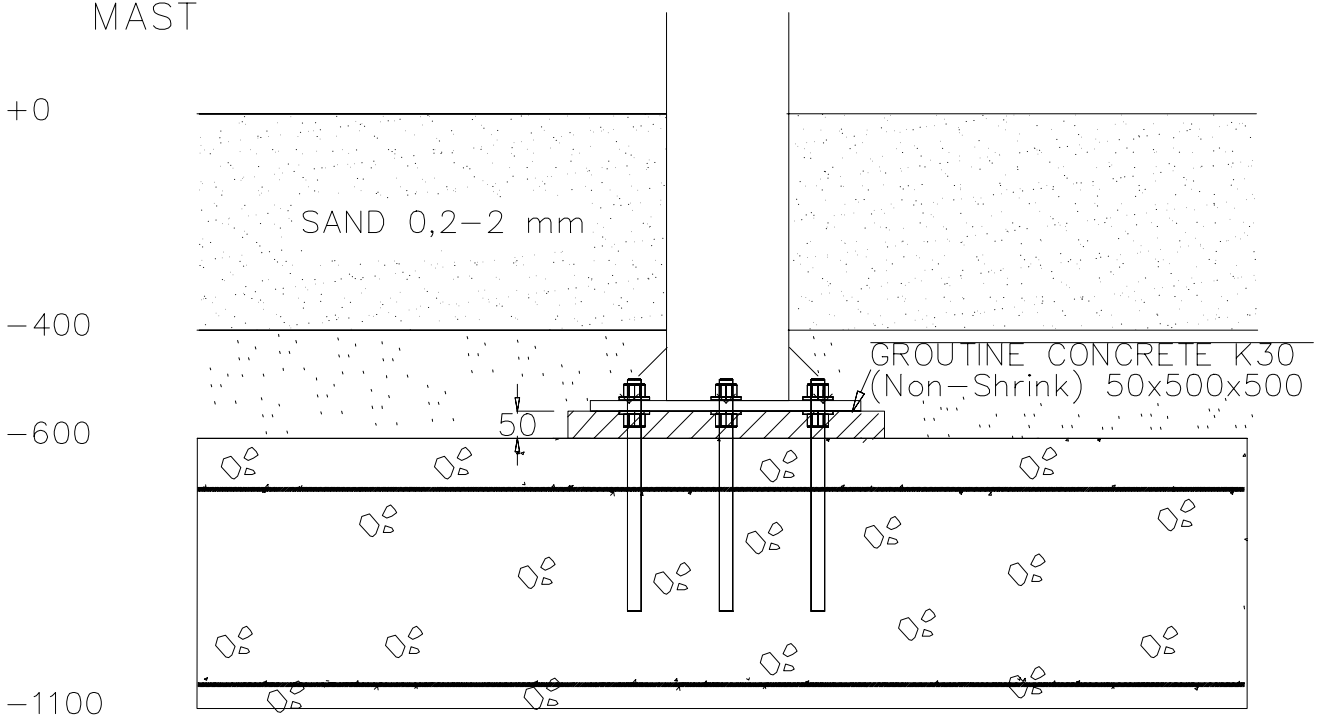
CONCRETE PLATE SOLUTION



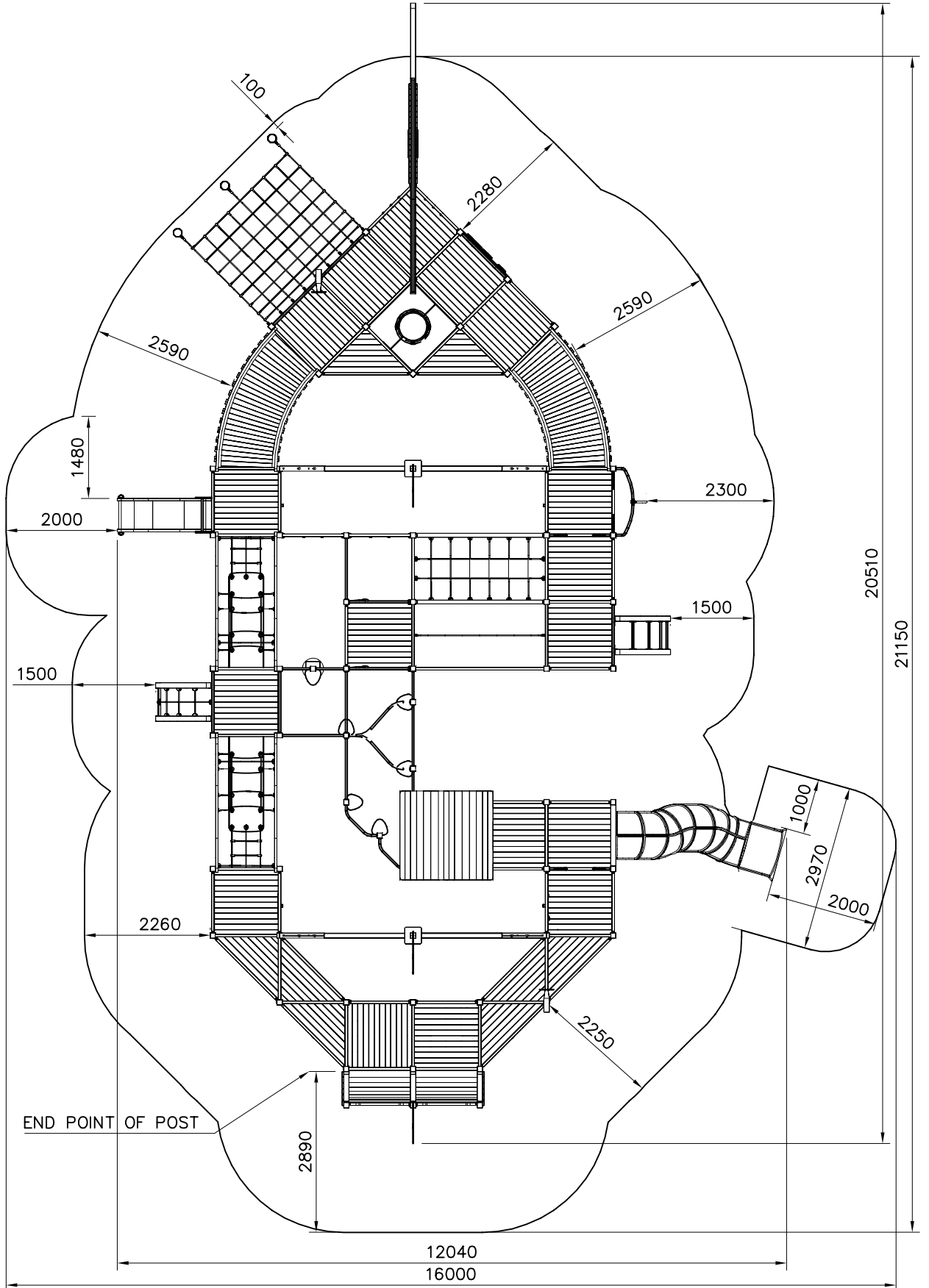
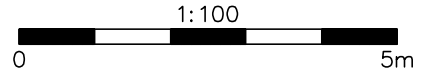
OPTION CONCRETE BLOCK SOLUTION



TAKE THE PLATE 009928
OFF BEFORE INSTALLING
MAST



AS 4685.1 Impact Area 221.3 m²
Max falling height 2070 mm.

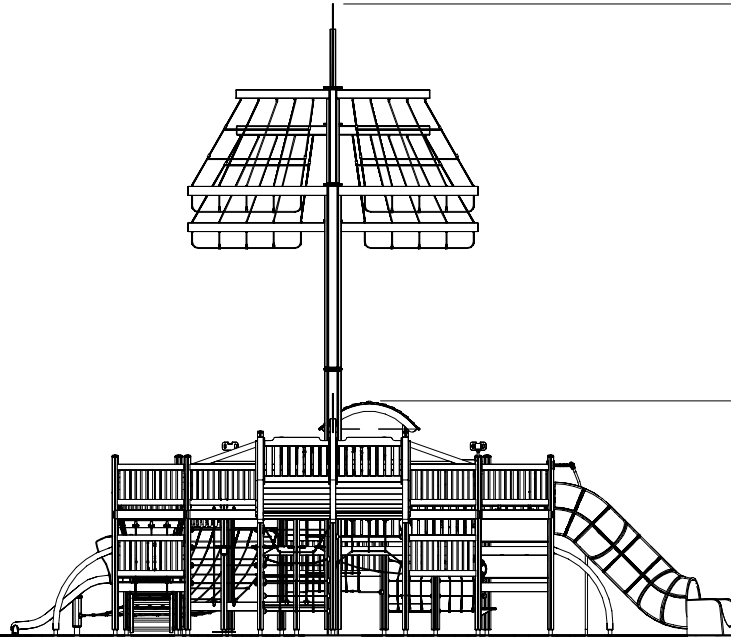


1:125

+10440

+3870

+0



1:125

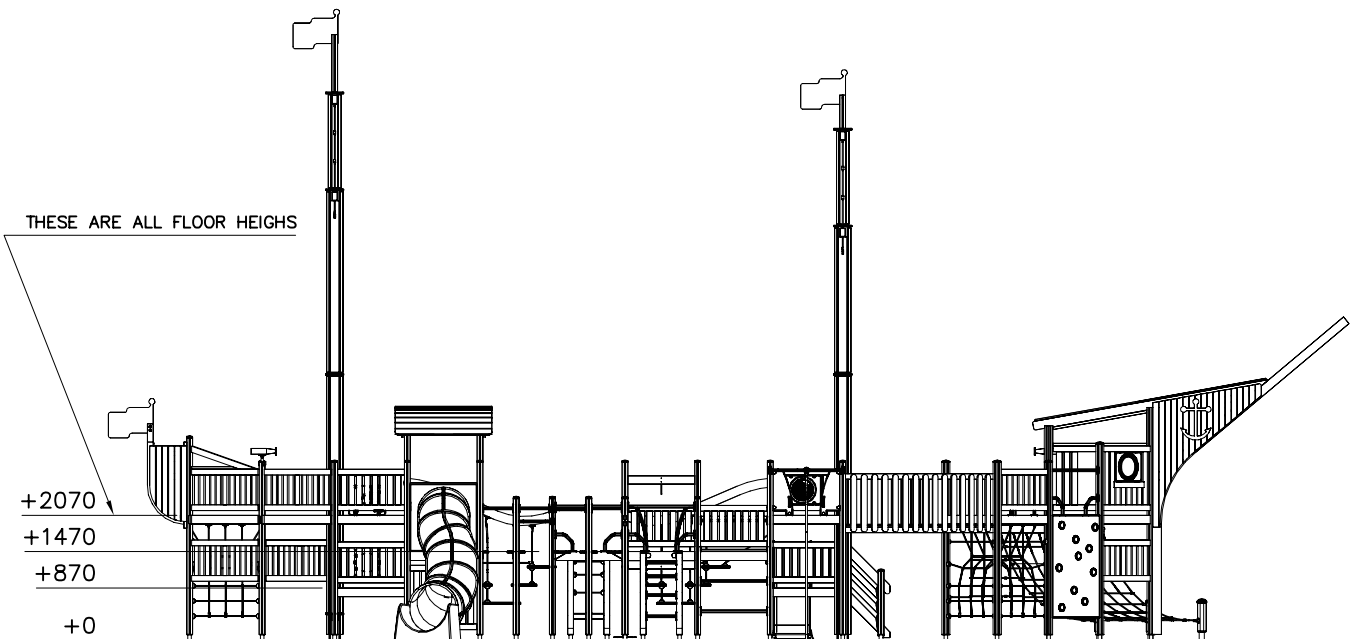
THESE ARE ALL FLOOR HEIGHTS

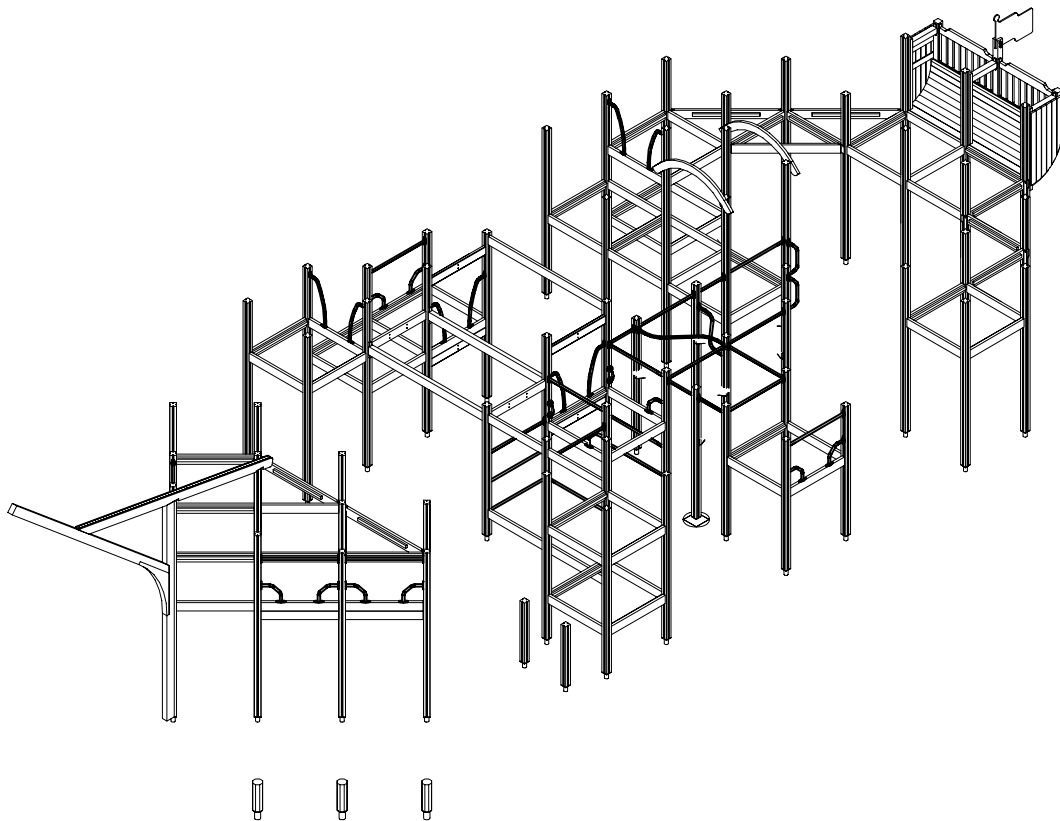
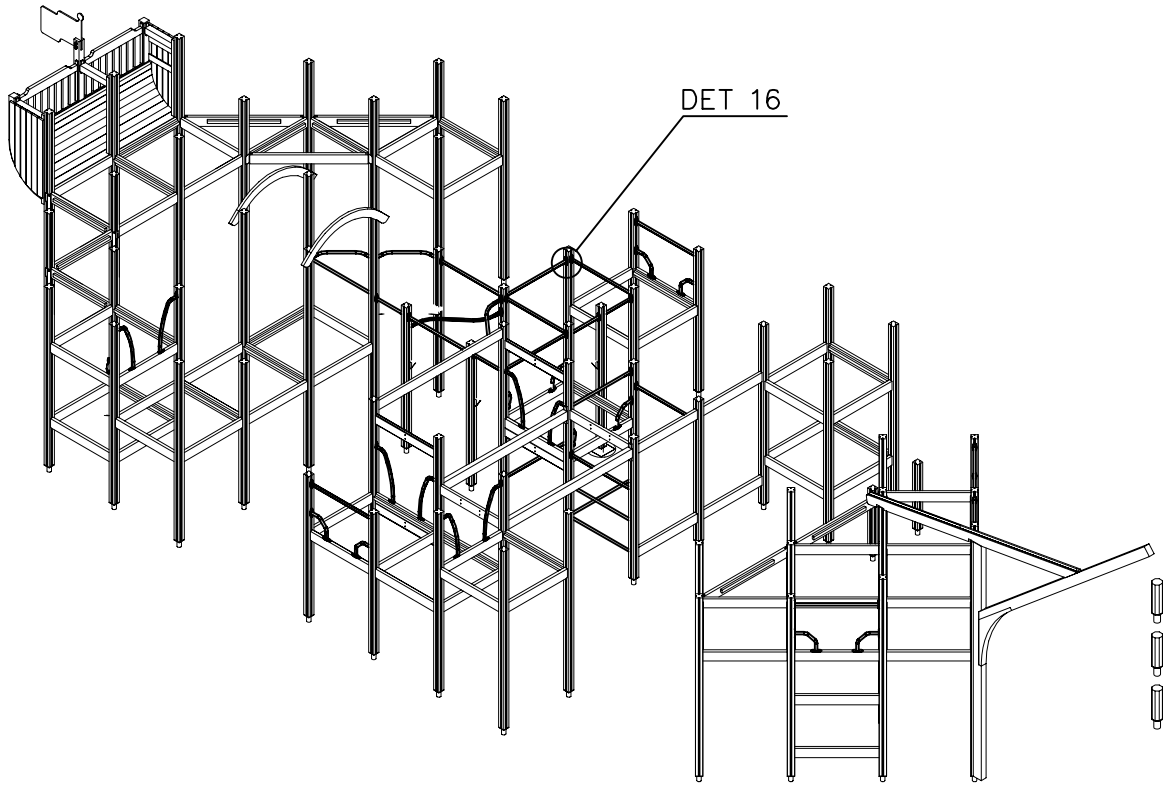
+2070

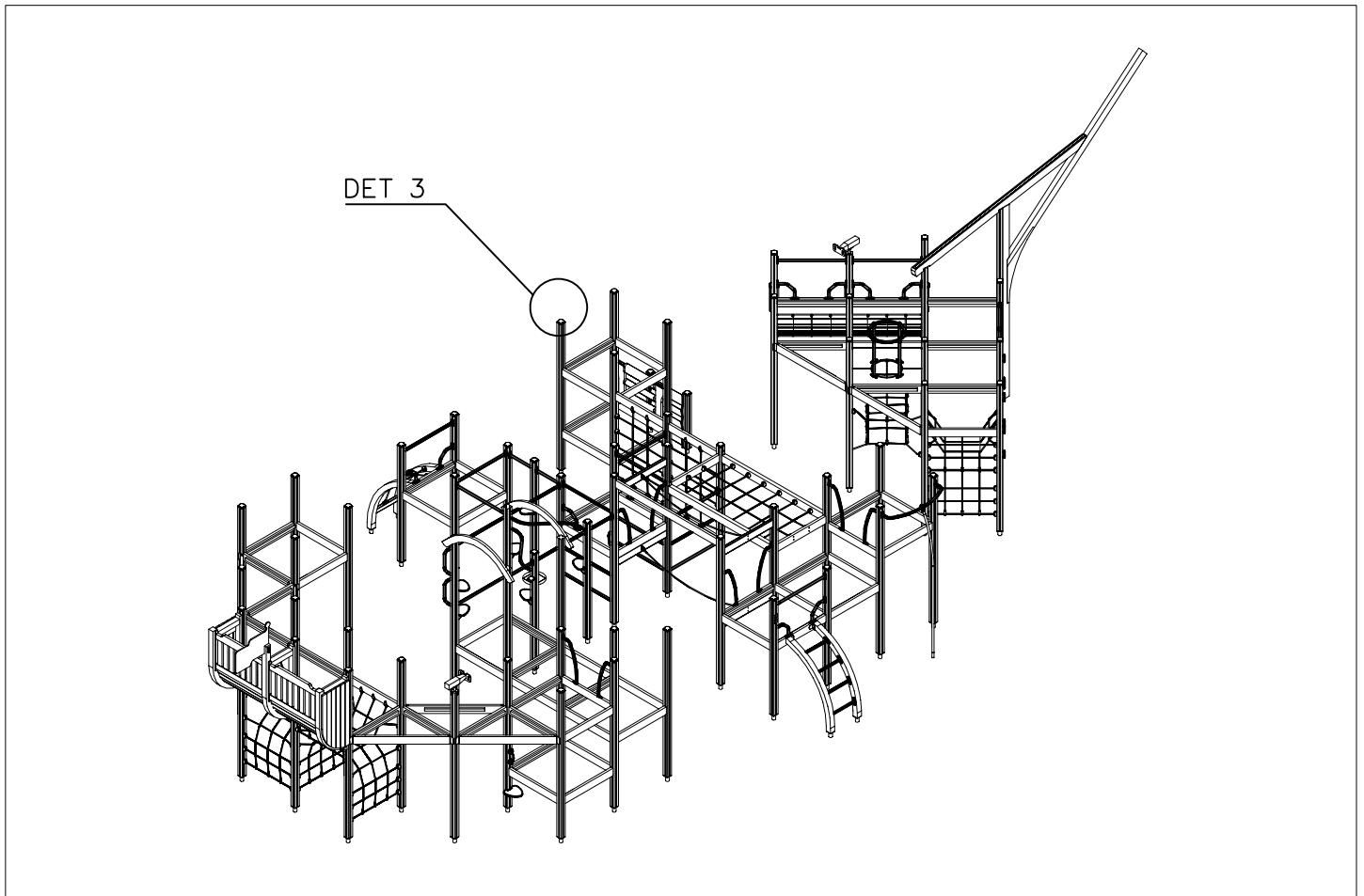
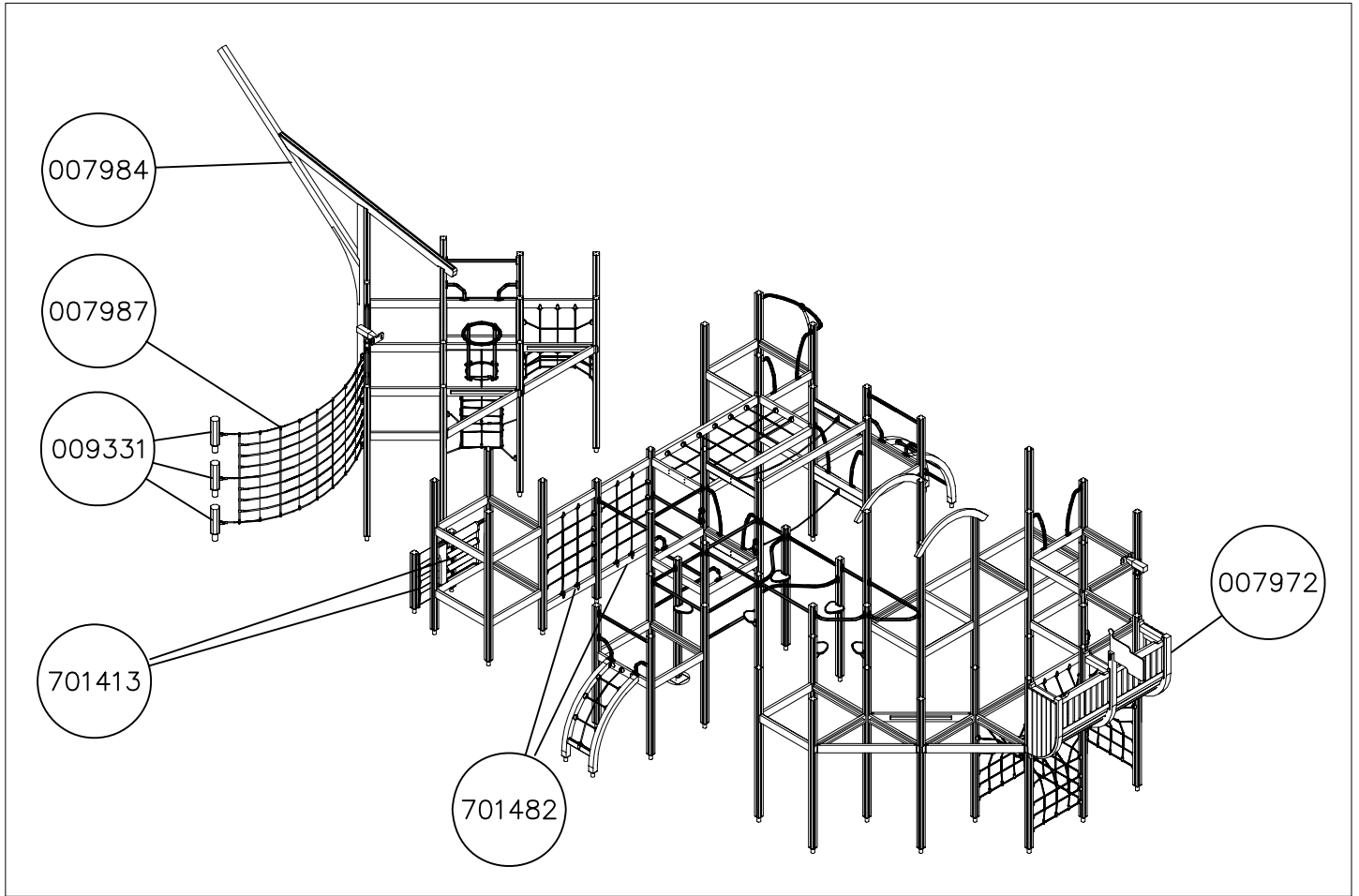
+1470

+870

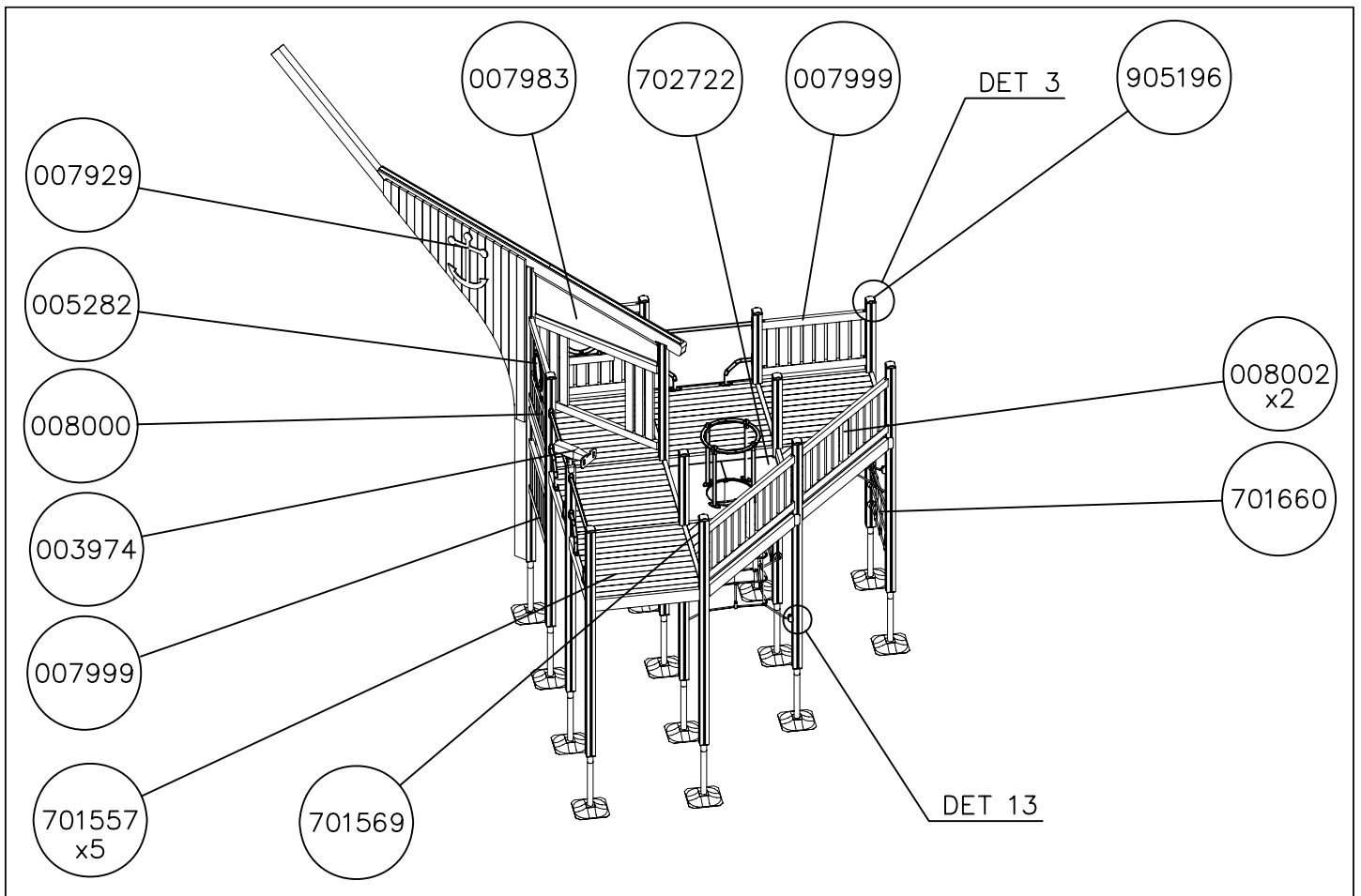
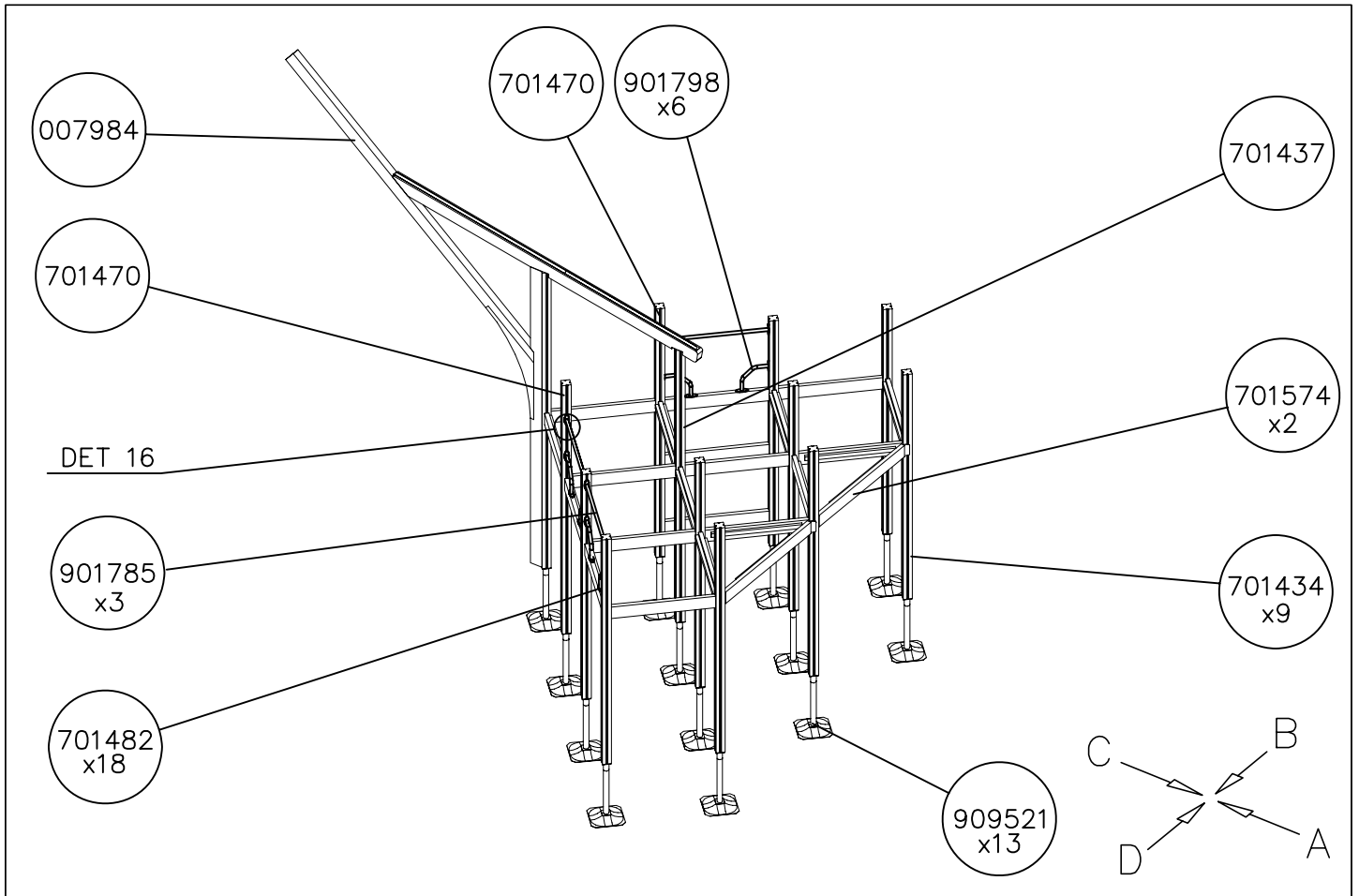
+0

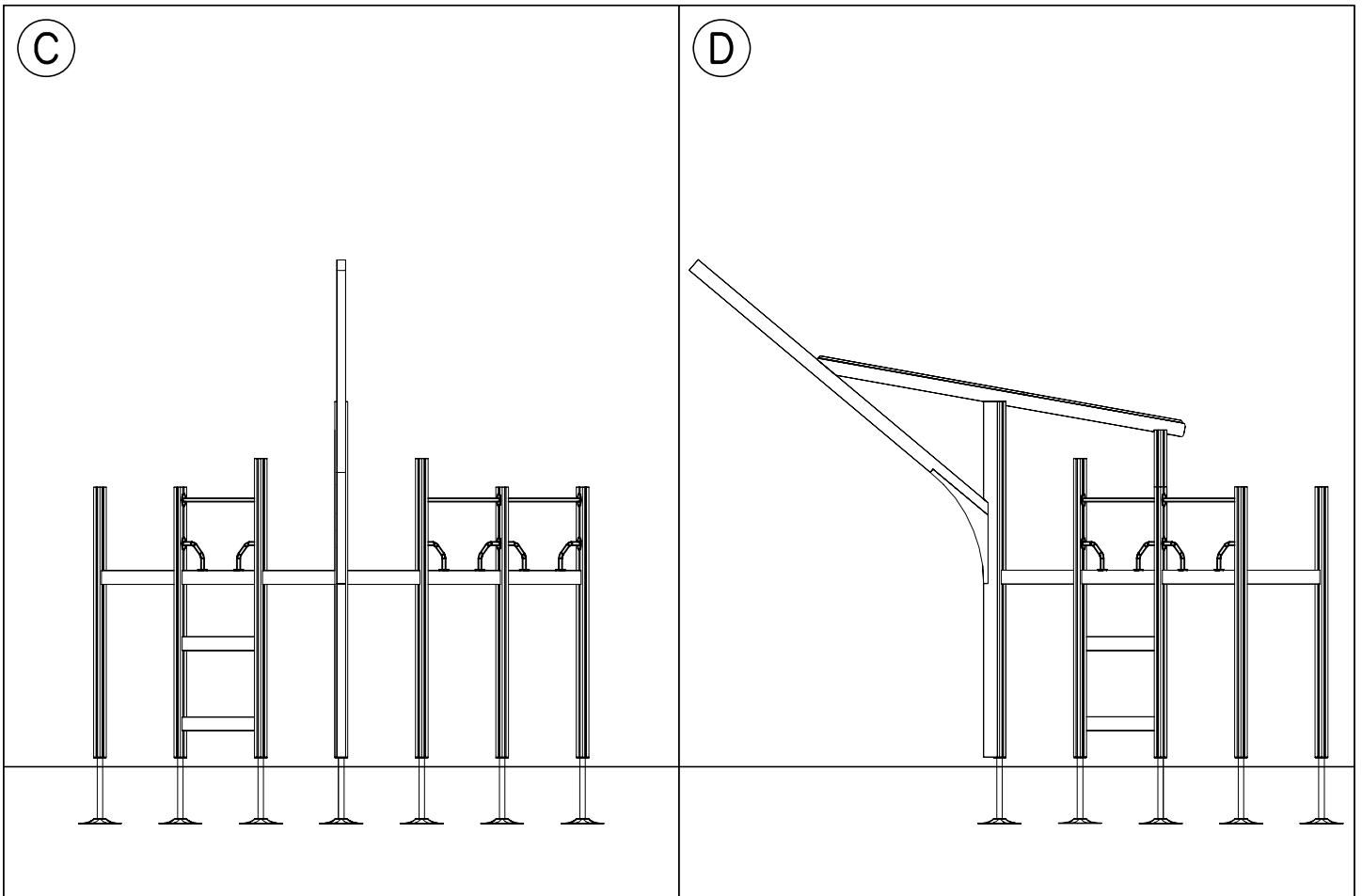
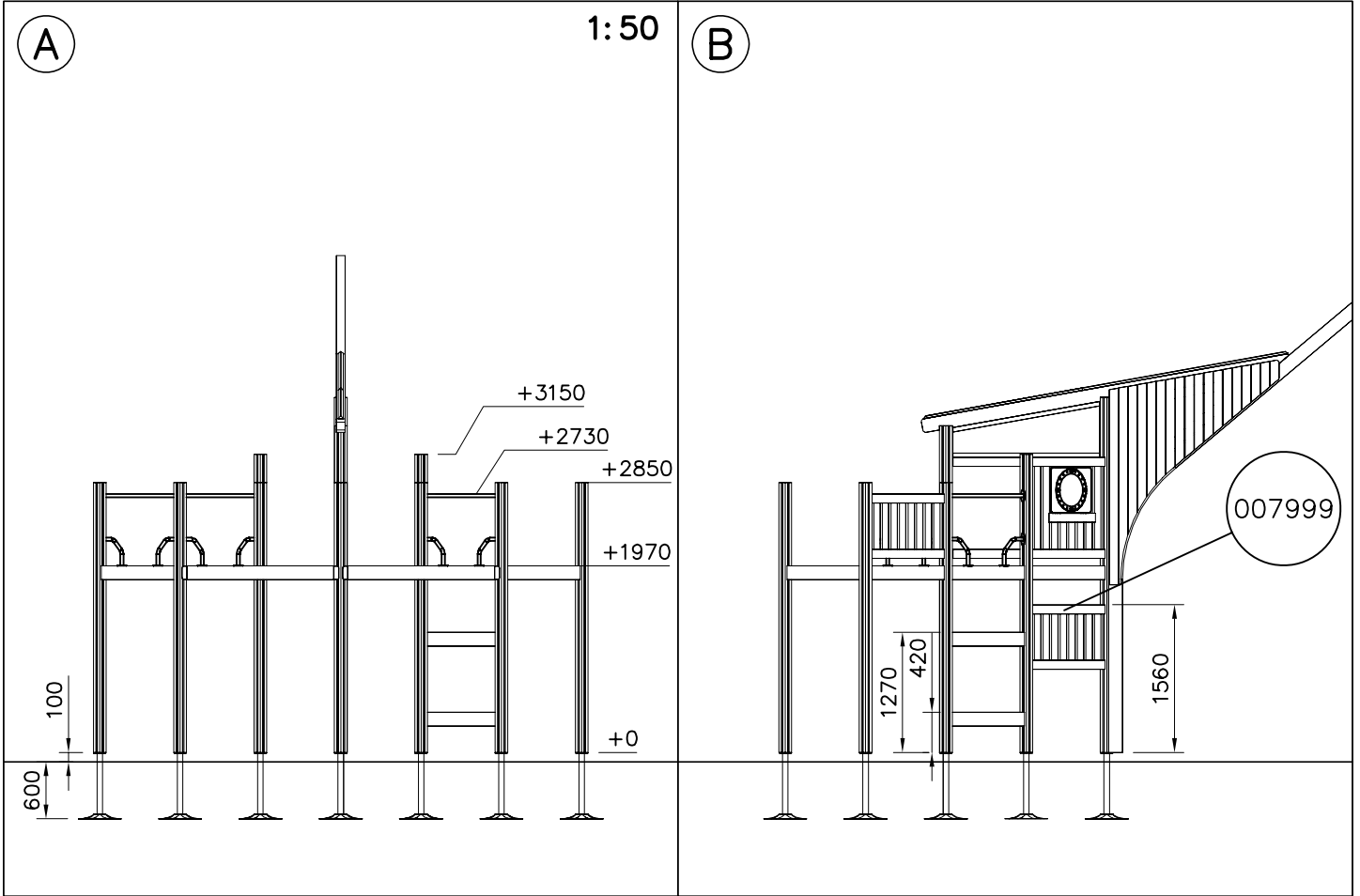


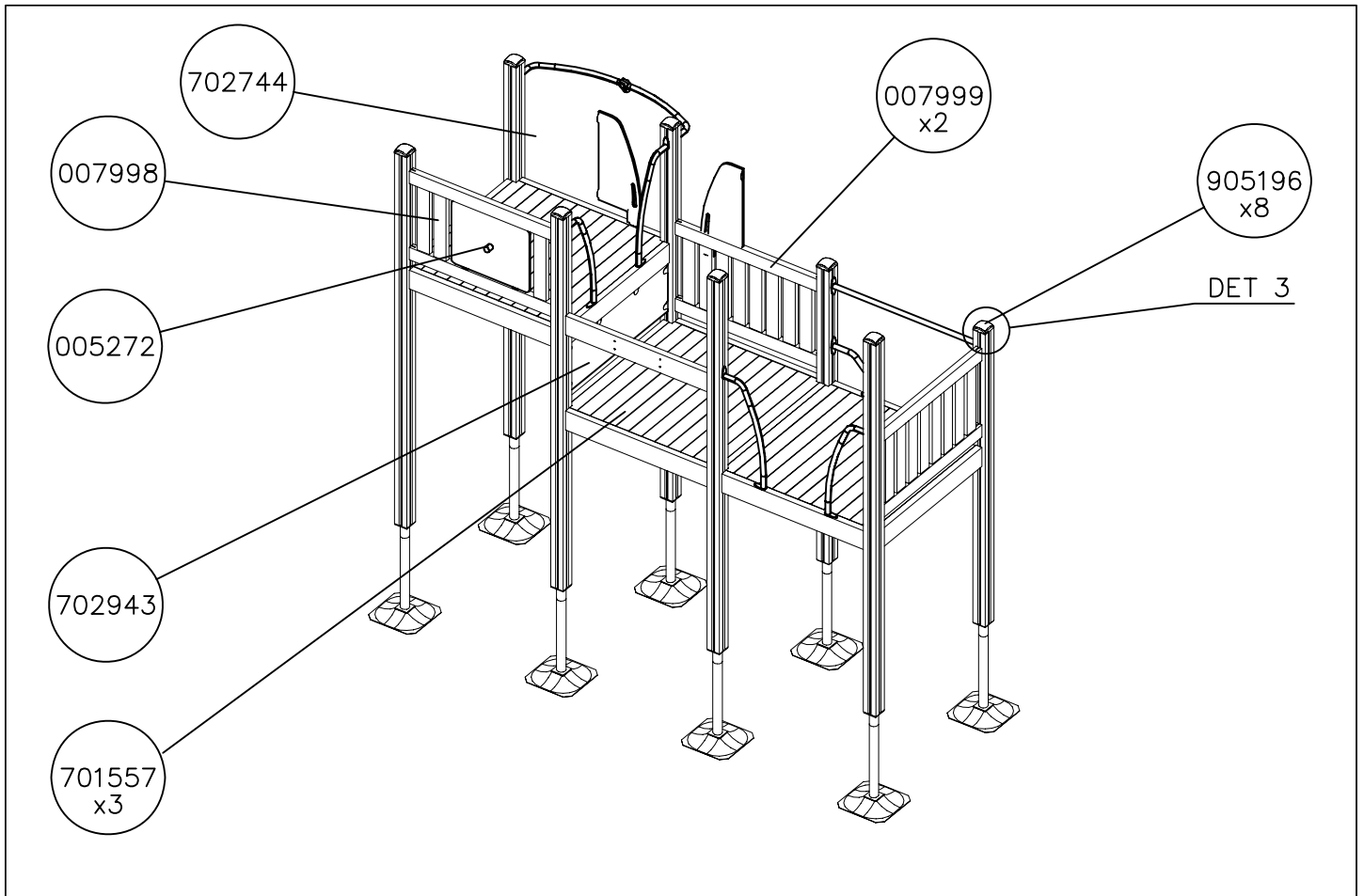
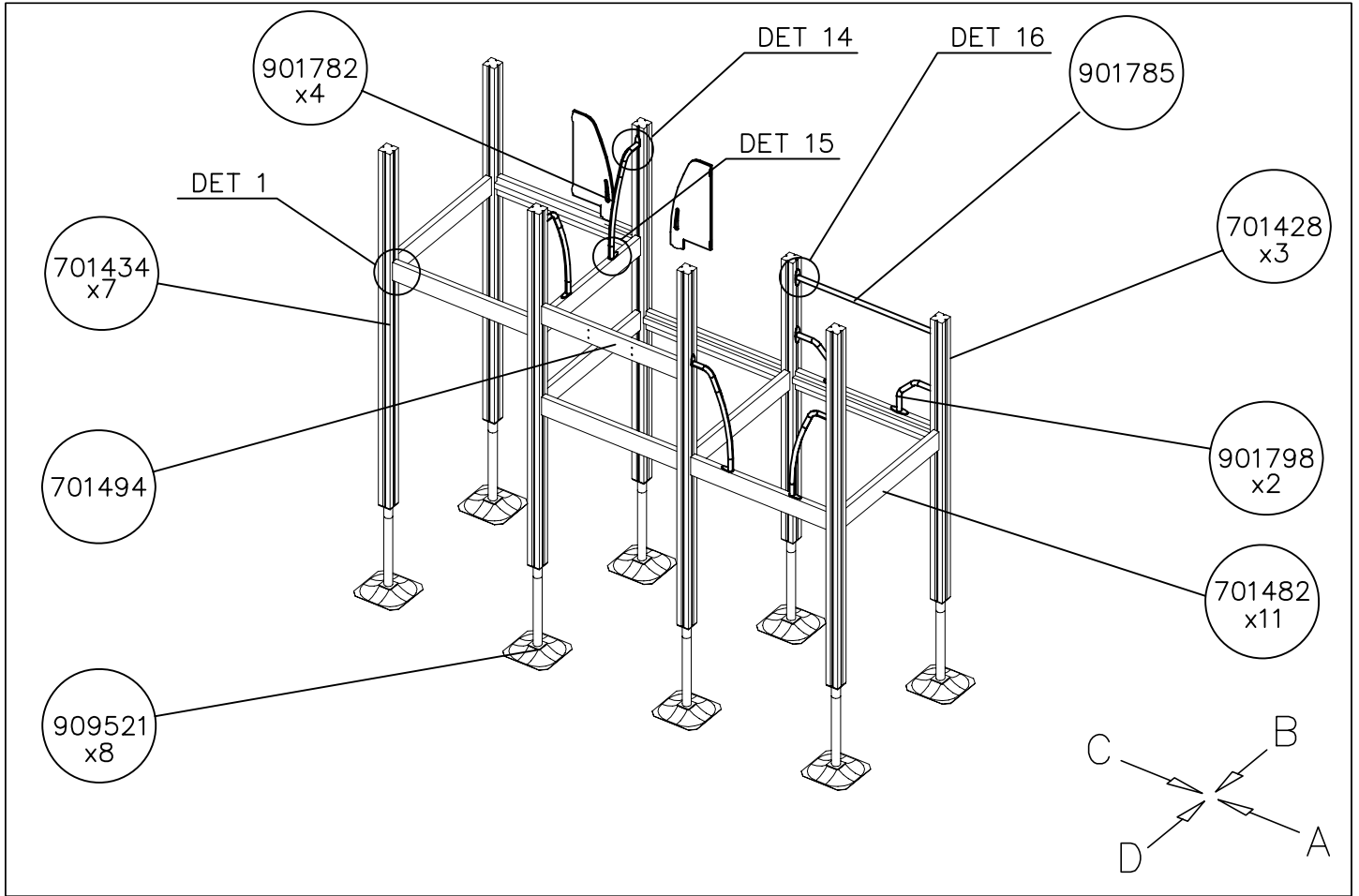




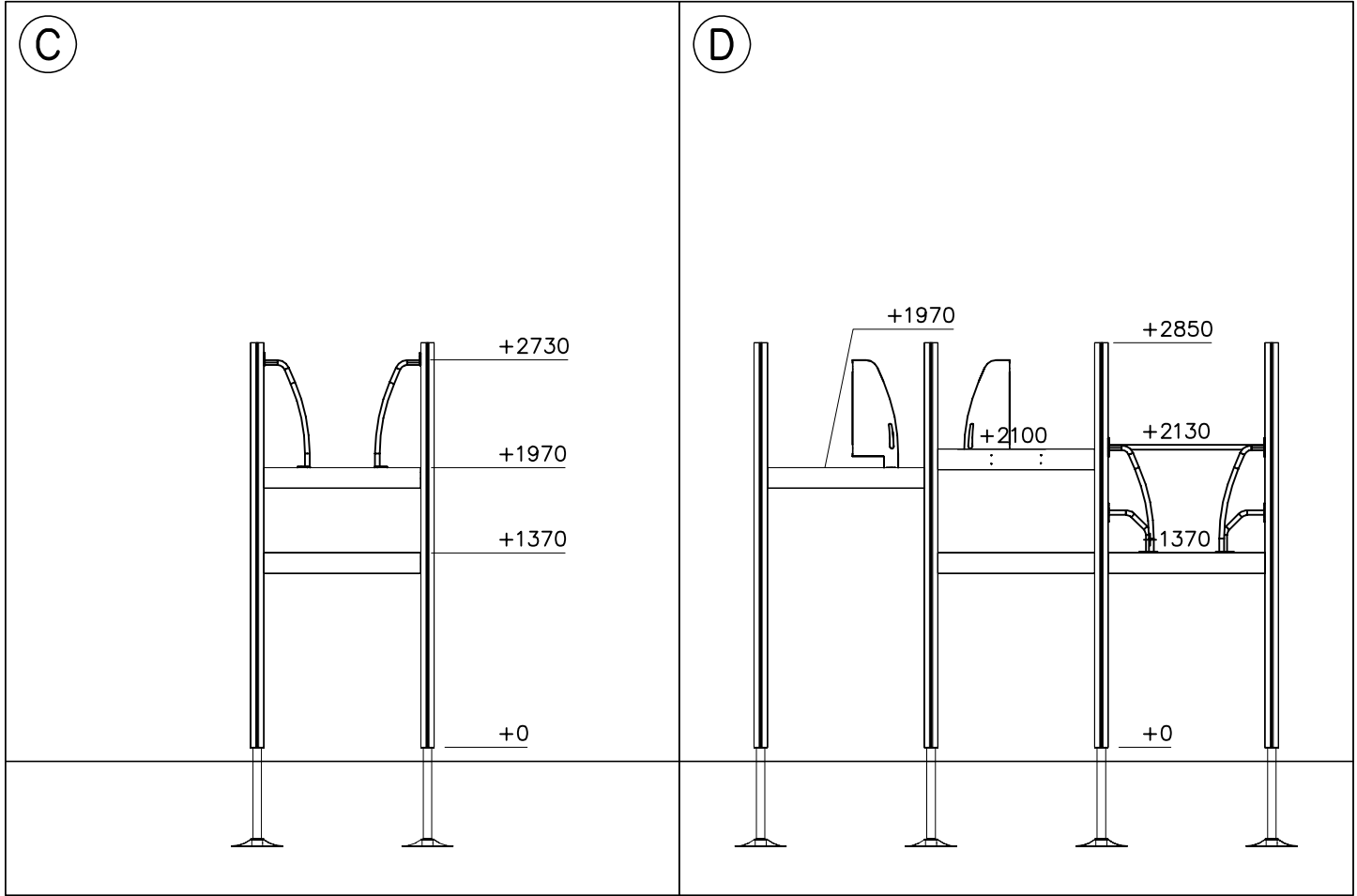
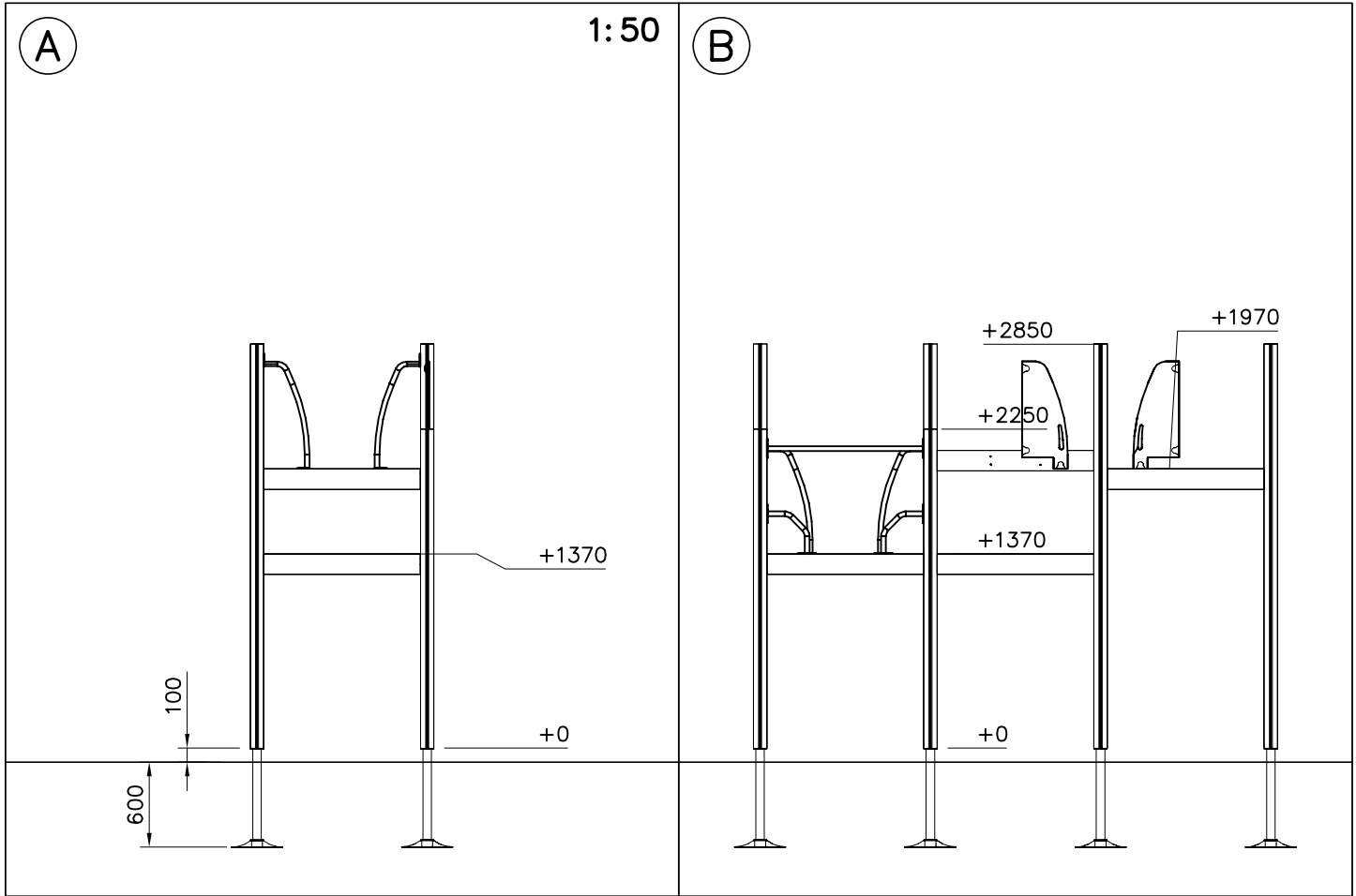
<p>DET 1</p> <p>8x90 Ø24/8.4</p>	<p>DET 2</p> <p>6x60</p>	<p>DET 3</p> <p>6x60</p>	<p>DET 4</p>
<p>DET 5</p> <p>M10 909578 905102</p>	<p>DET 6</p> <p>45 30</p>	<p>DET 7</p> <p>905103 10x60 Ø20/10.5</p>	<p>DET 8</p> <p>5x40</p>
<p>DET 9</p> <p>905083 Ø16/8.4 8x60 905112</p>	<p>DET 10</p> <p>M8x100 M8</p>	<p>DET 11</p> <p>M8x70 M8</p>	<p>DET 12</p> <p>Ø6x45 Ø6x60</p>
<p>DET 13</p> <p>8x70</p>	<p>DET 14</p> <p>8x70 901782</p>	<p>DET 15</p> <p>901782 8x70</p>	<p>DET 16</p> <p>8x70</p>
<p>DET 17</p> <p>Ø8x70</p>	<p>DET 18</p> <p>905051 8x90</p>	<p>DET 19</p>	

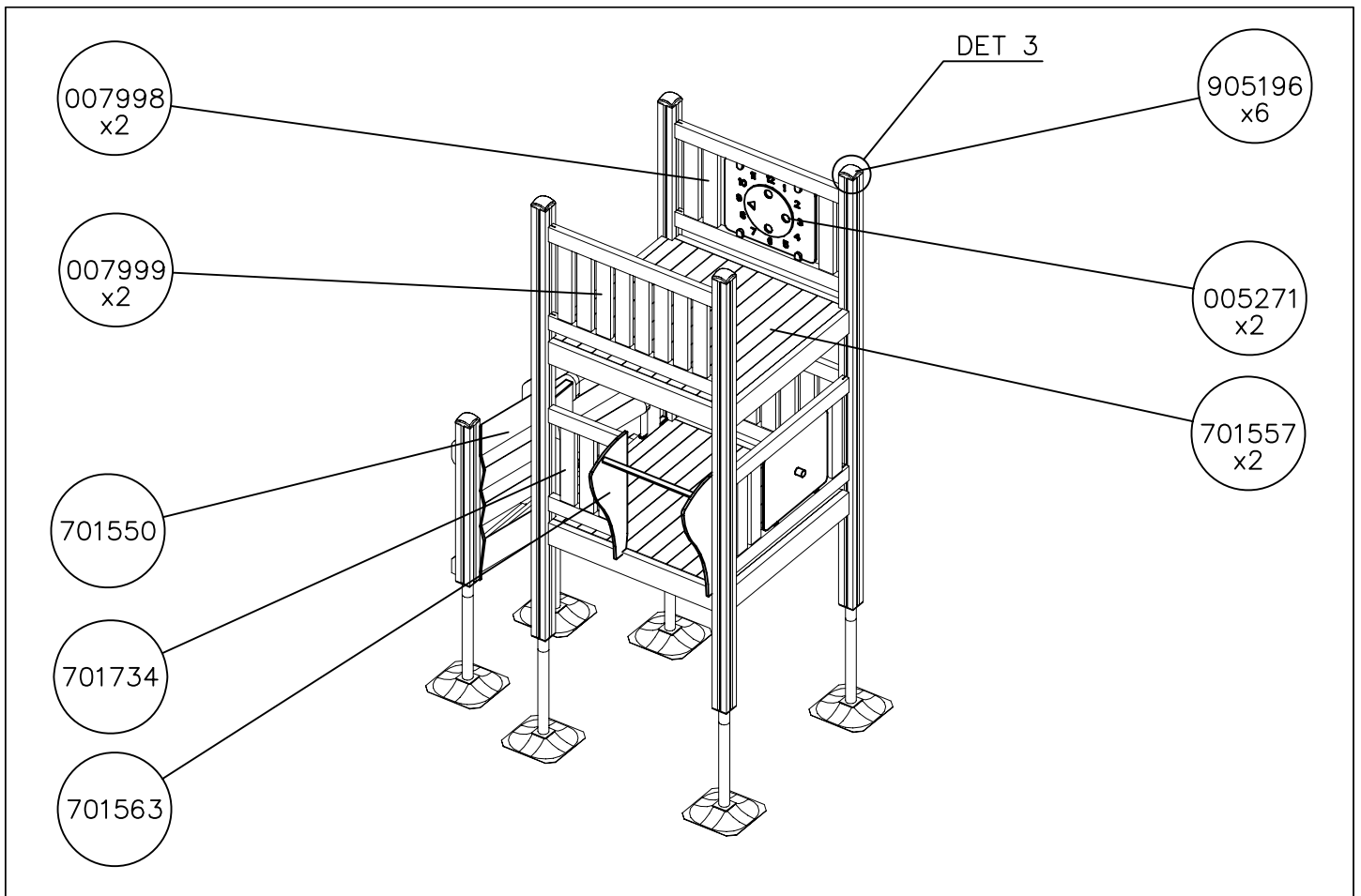
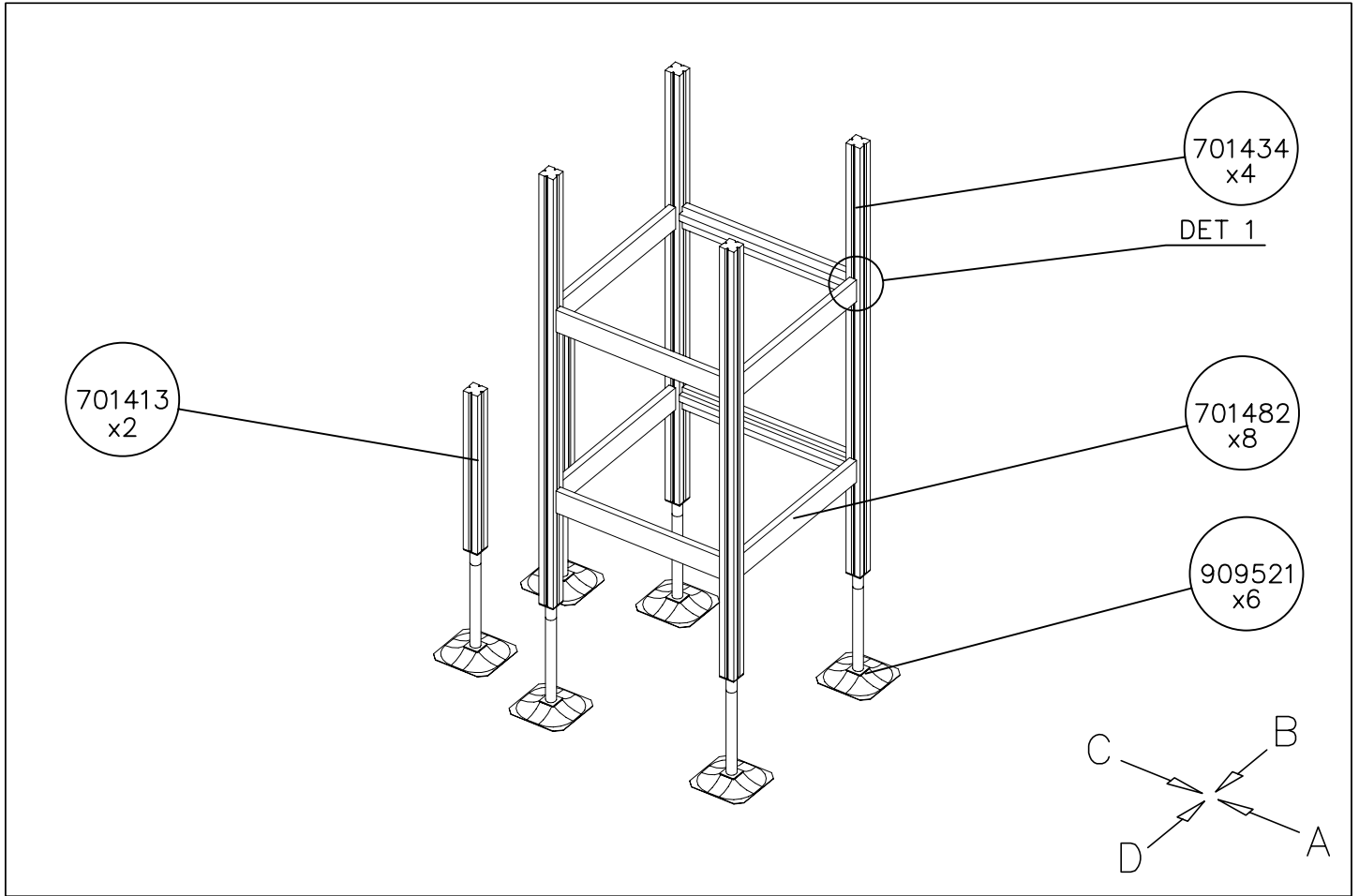


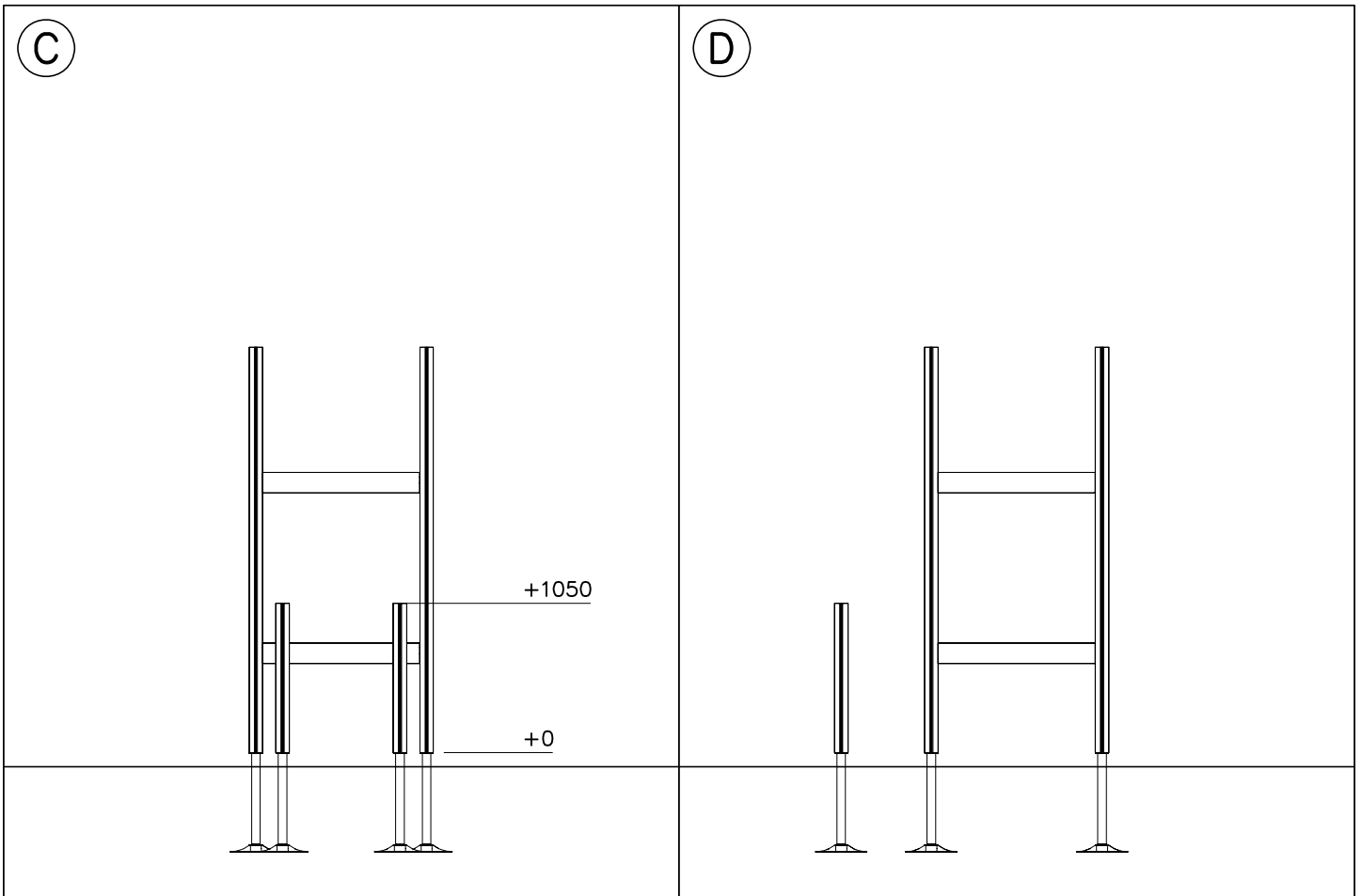
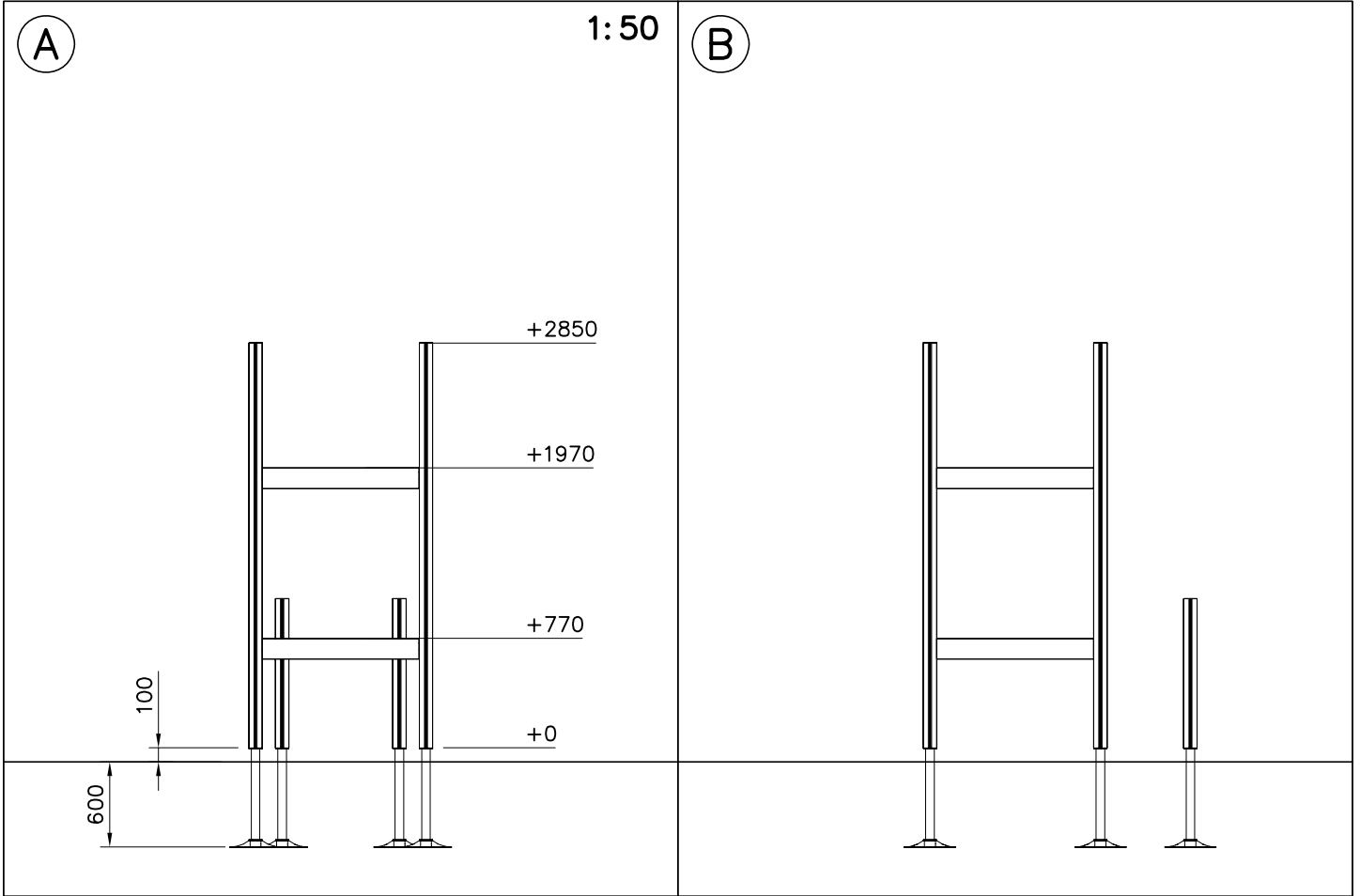


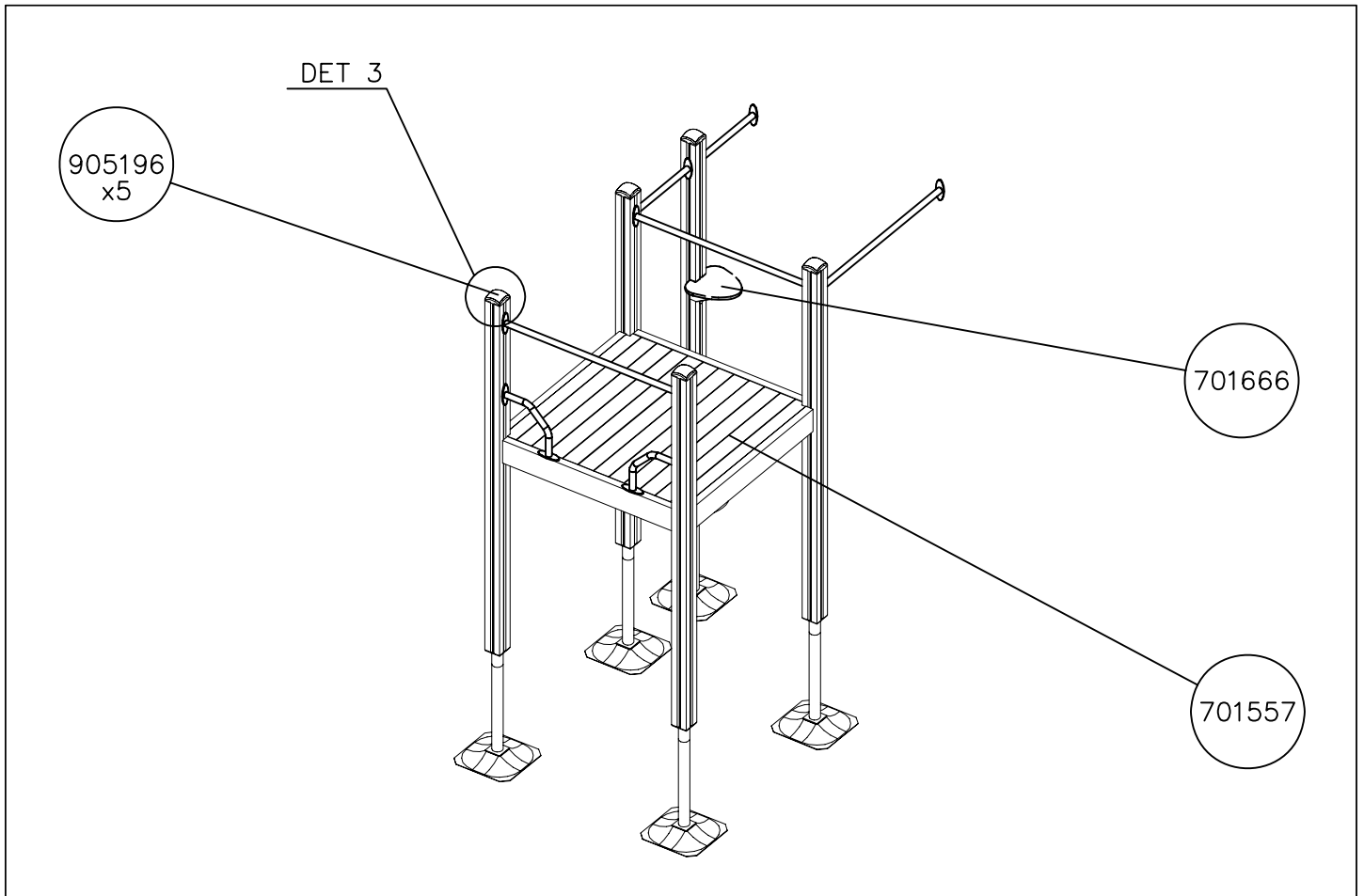
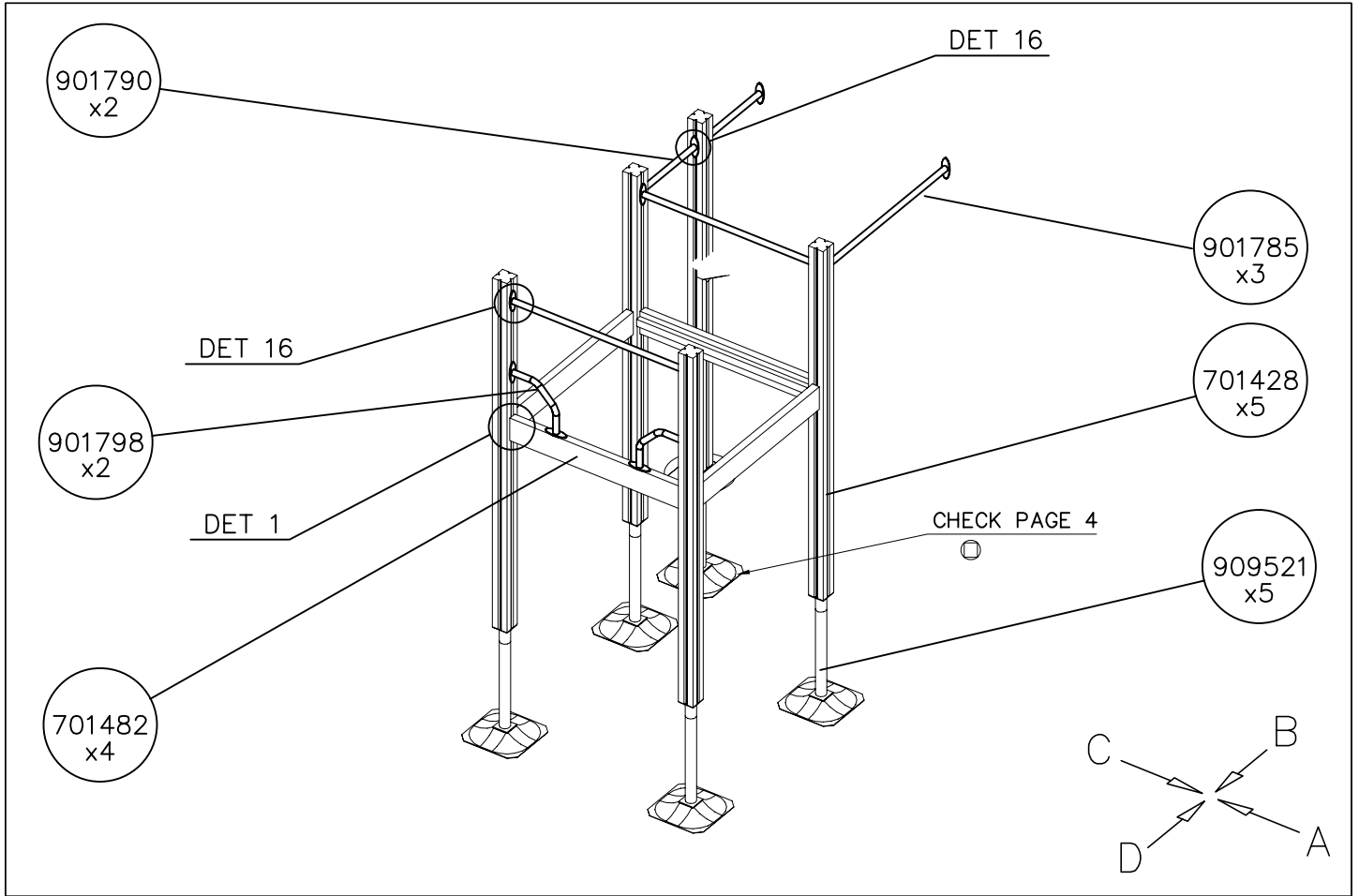


1:50



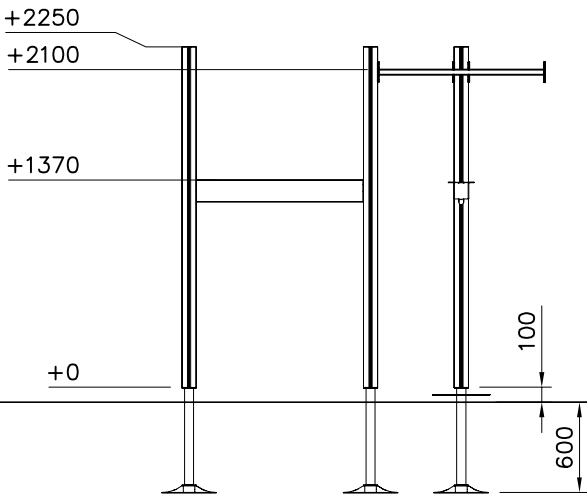




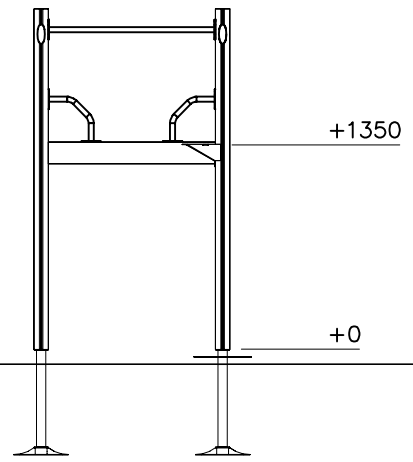


1:50

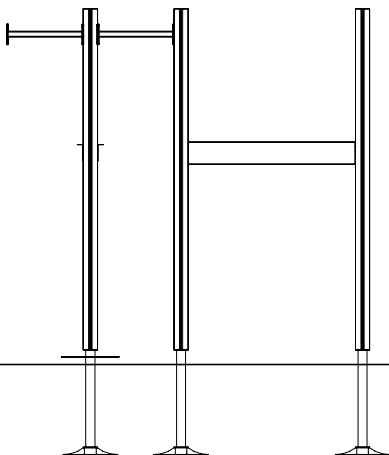
(A)



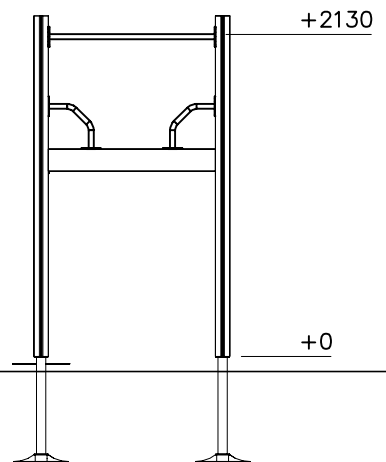
(B)

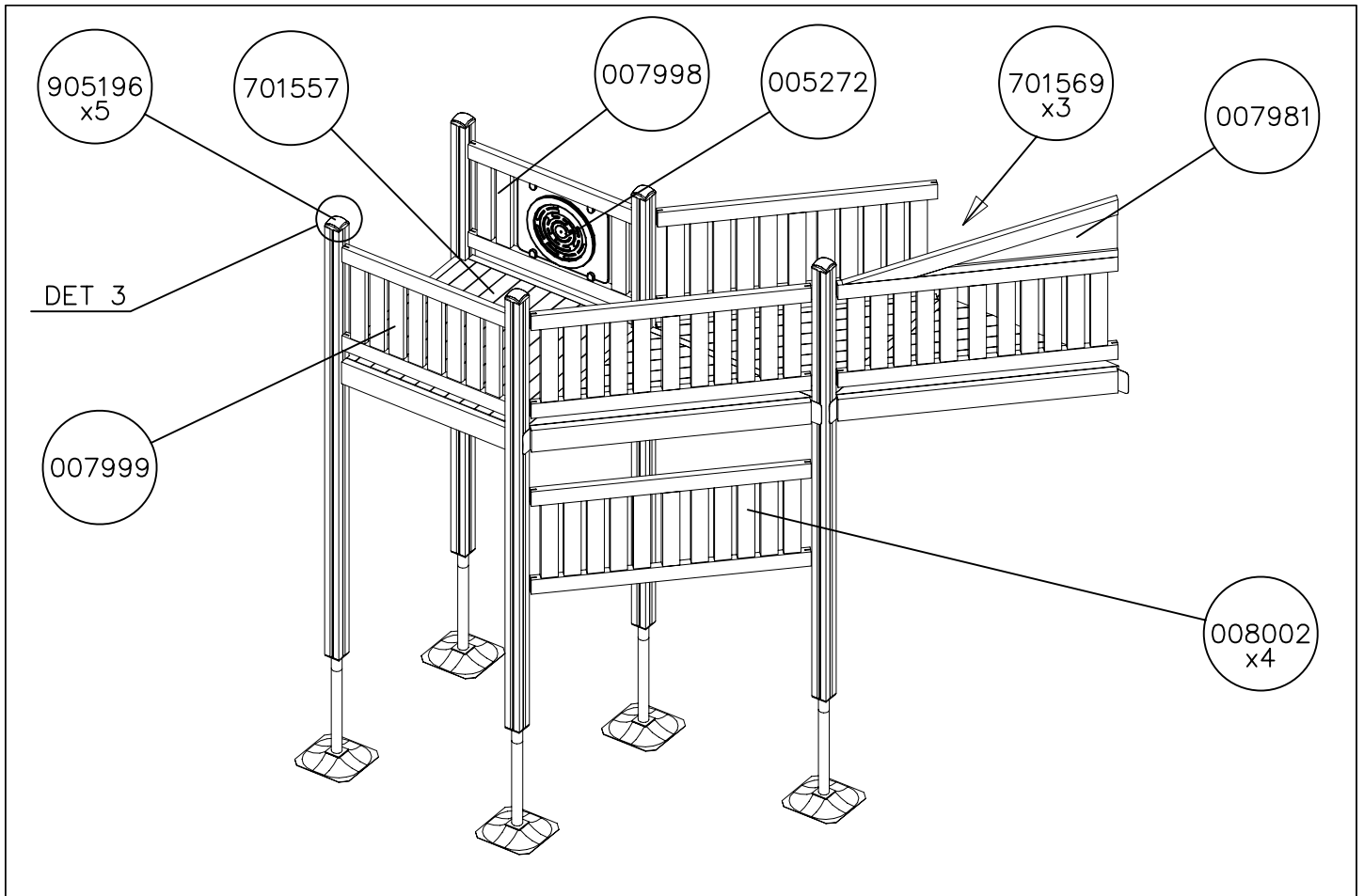
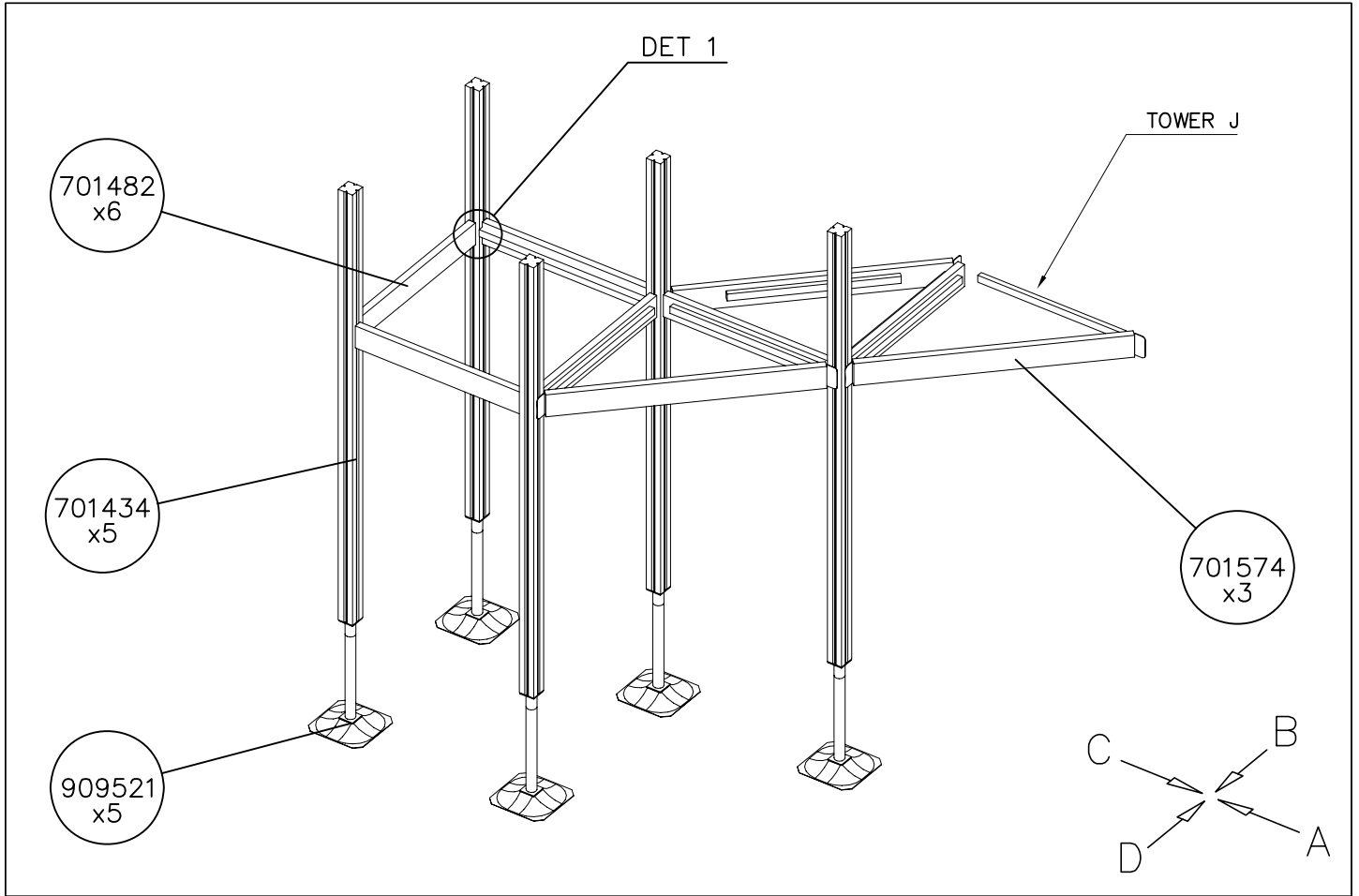


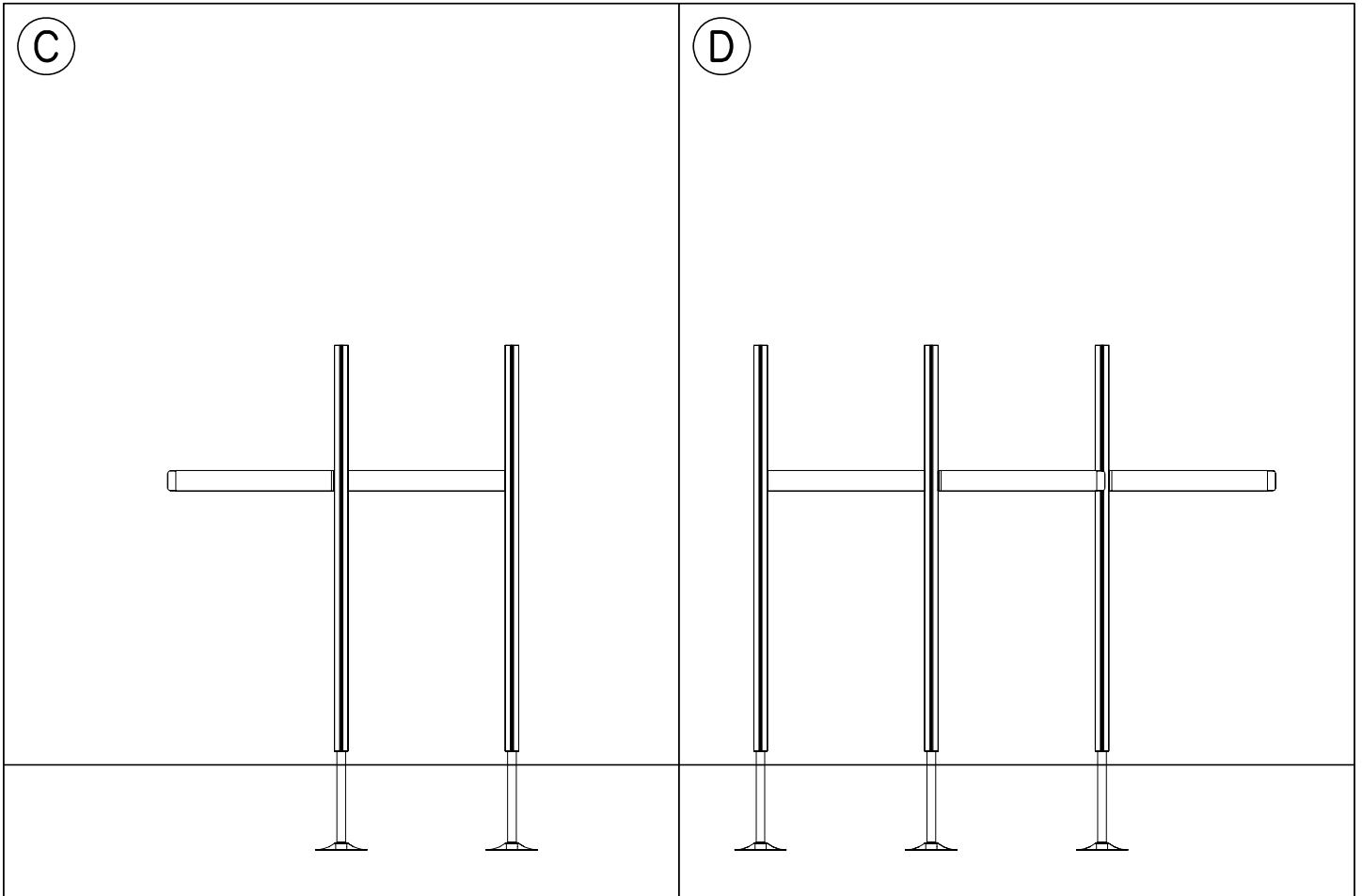
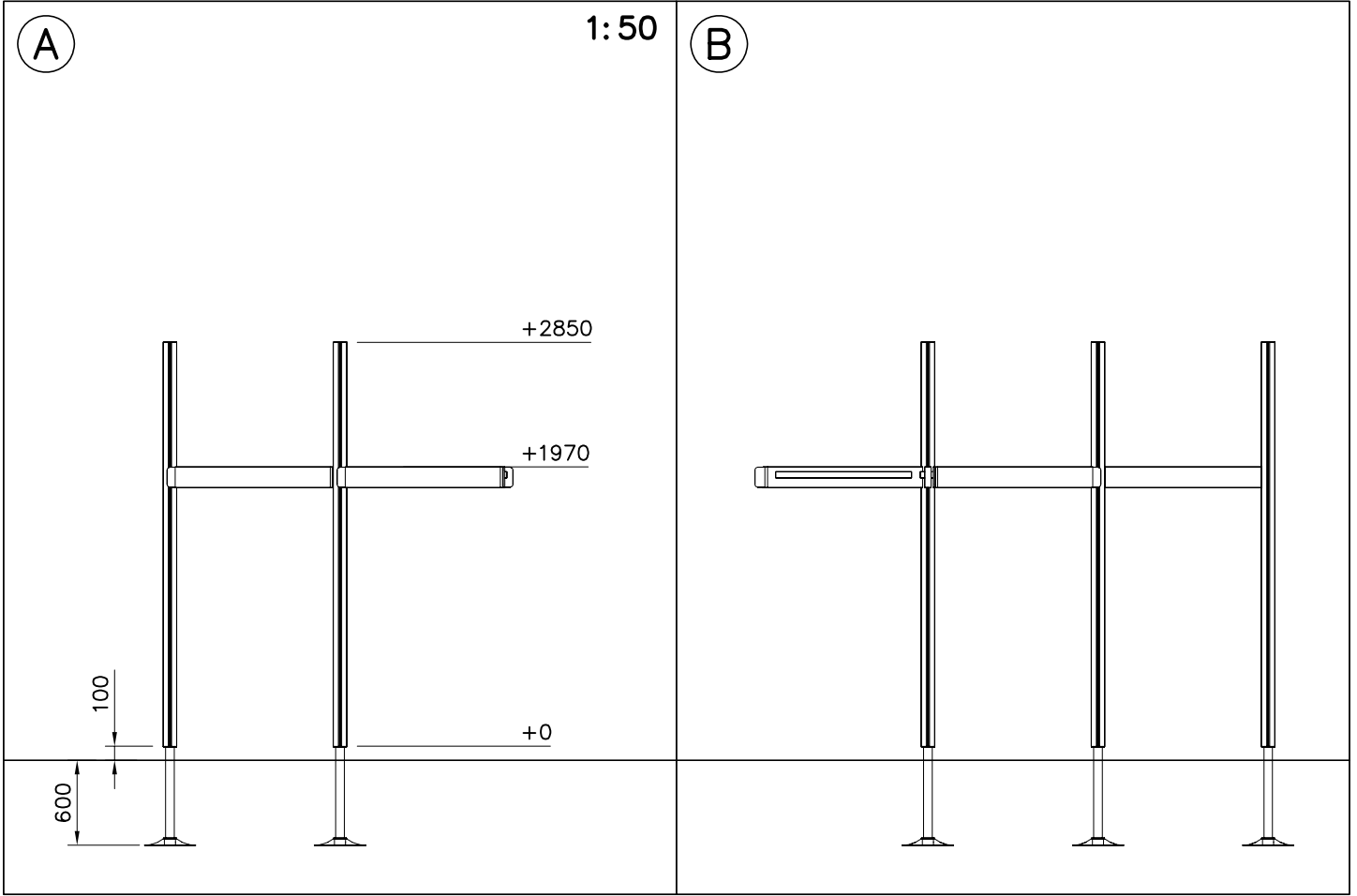
(C)

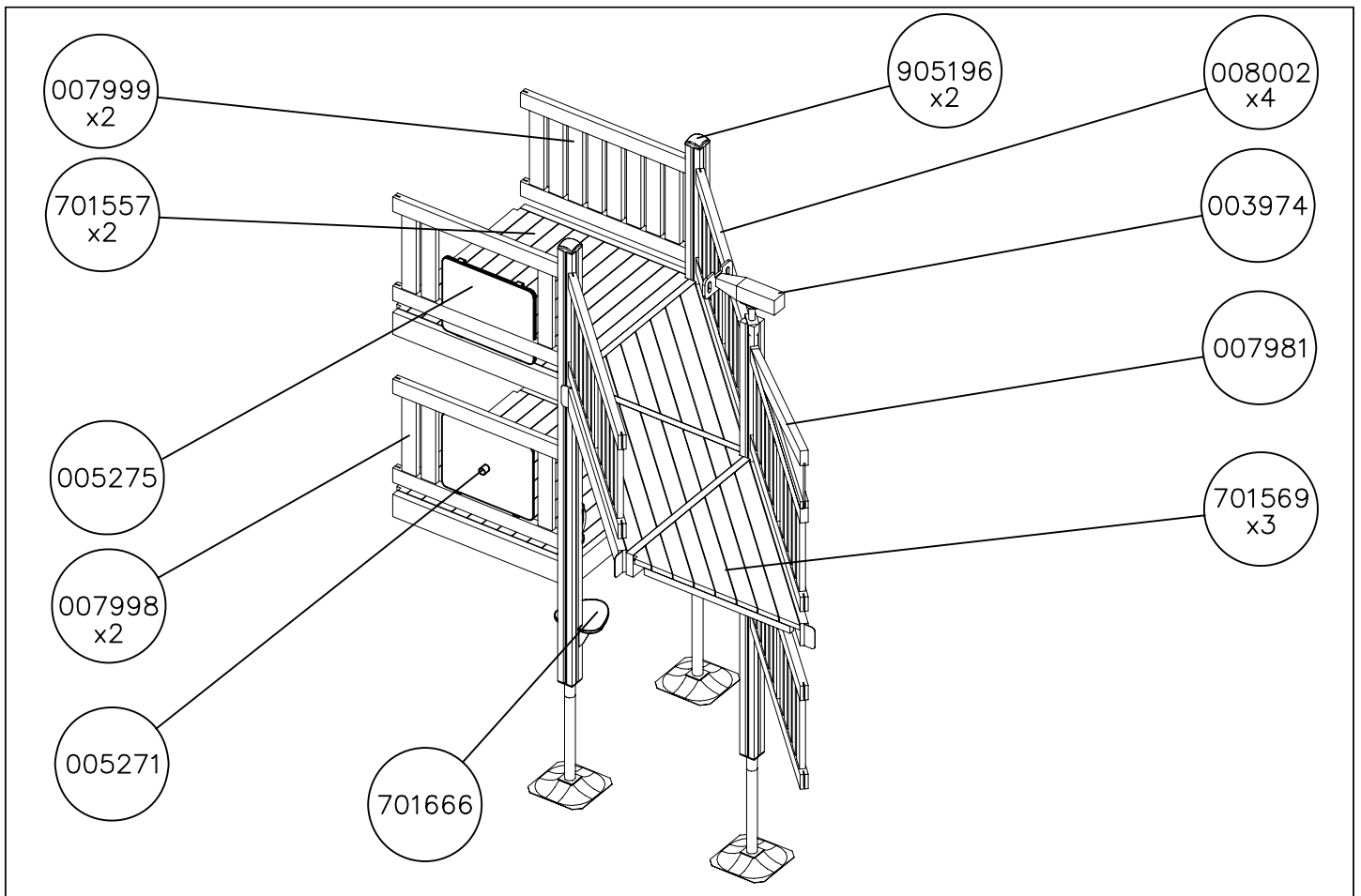
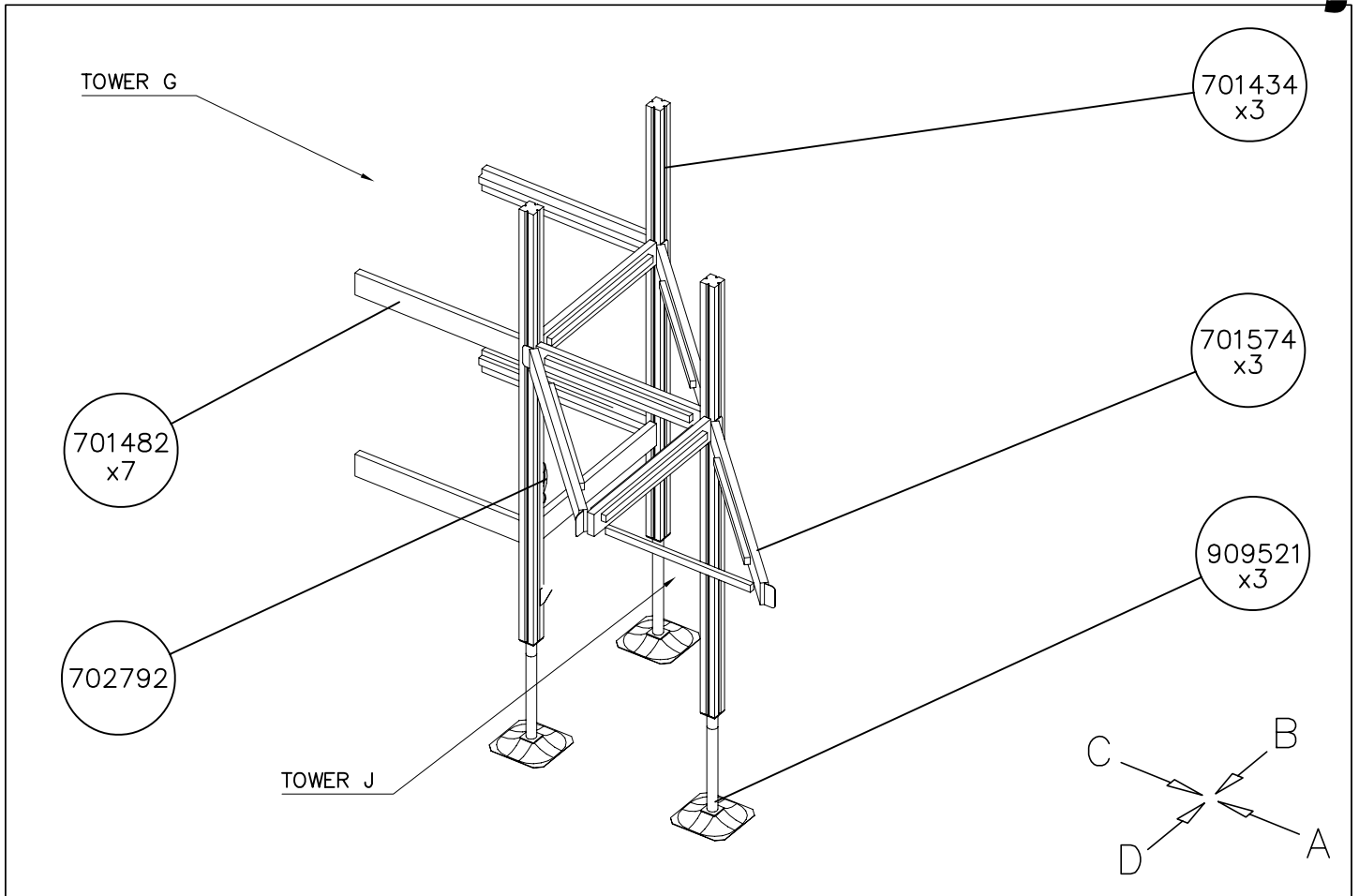


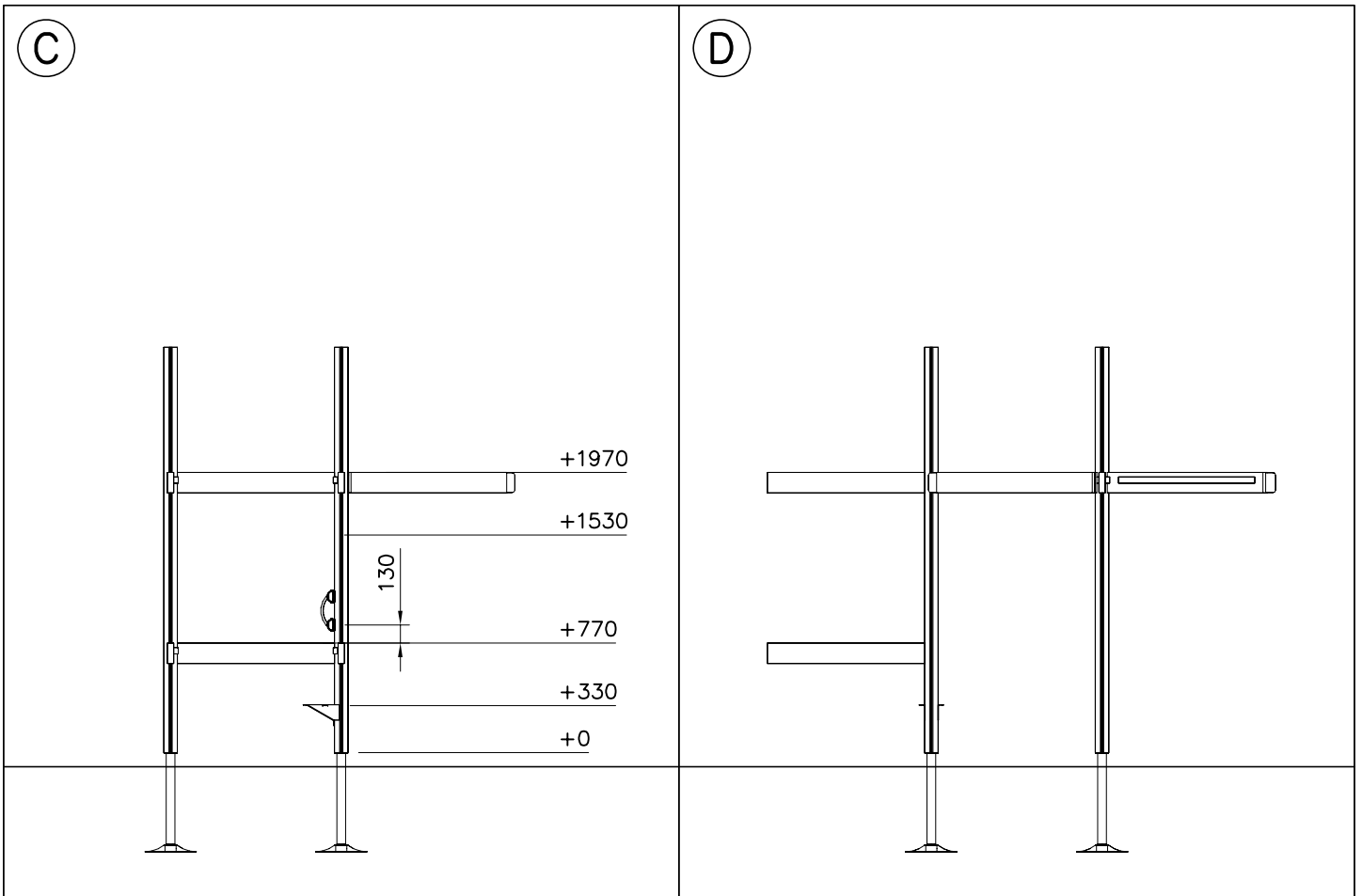
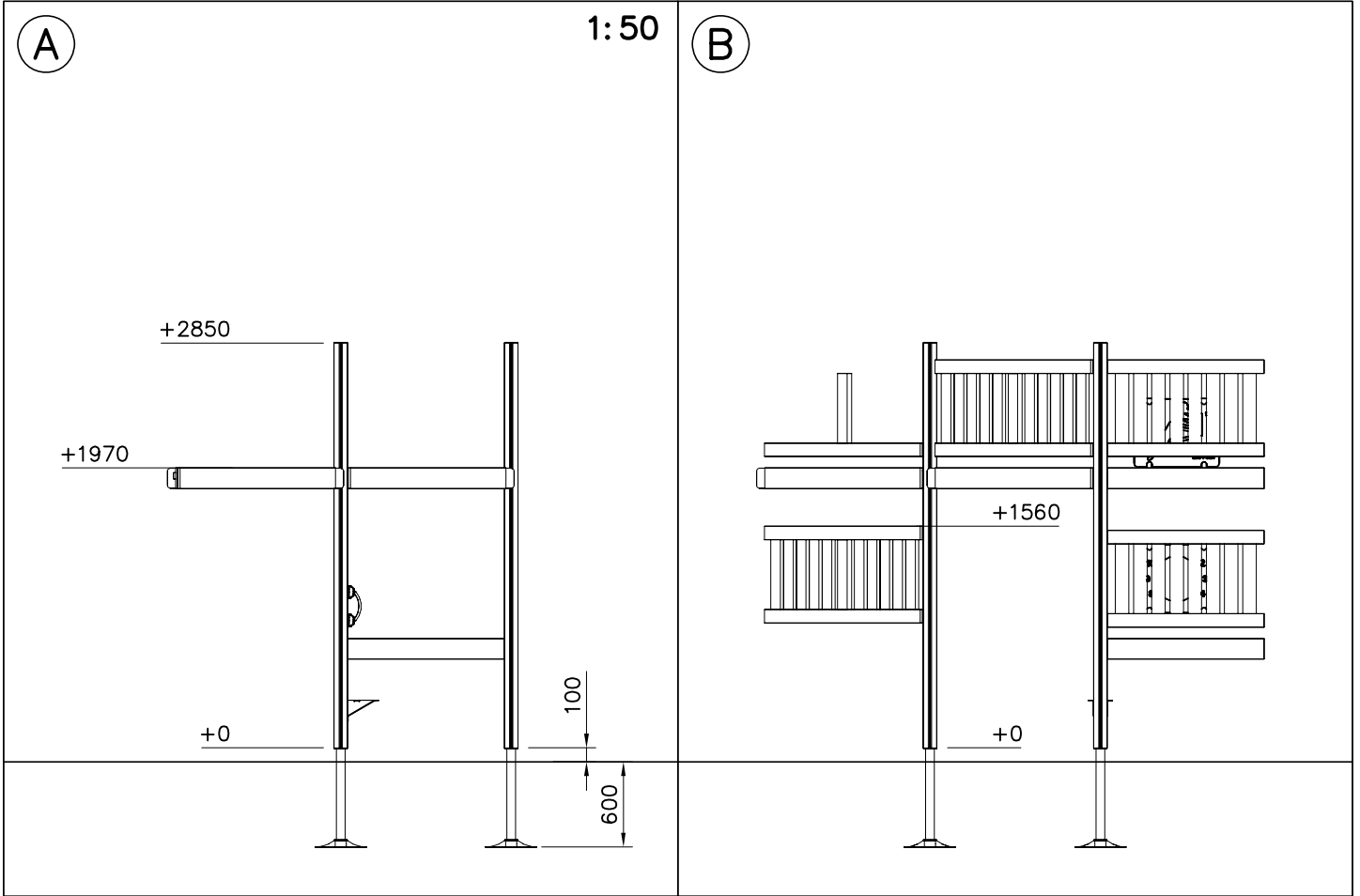
(D)

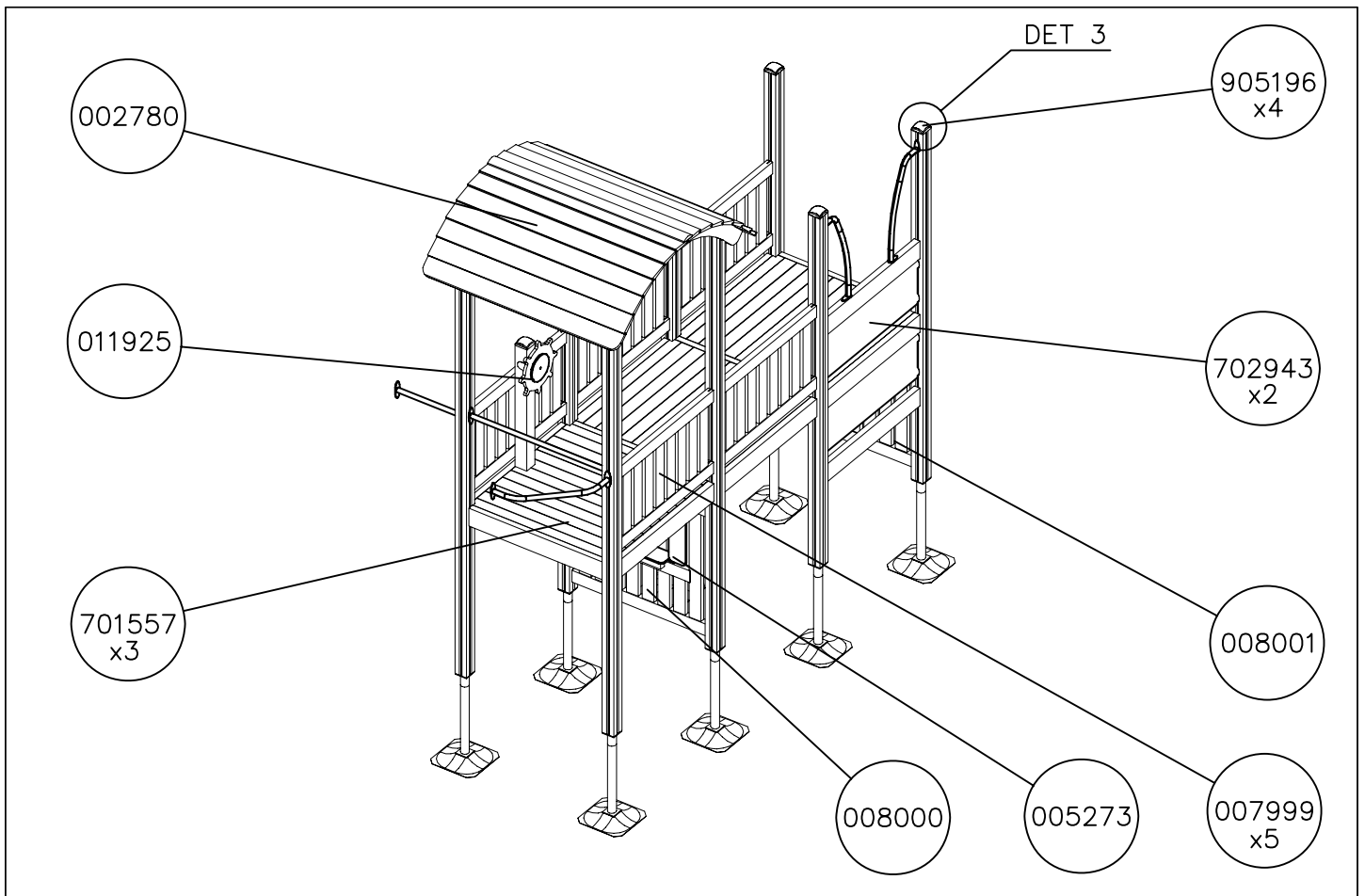
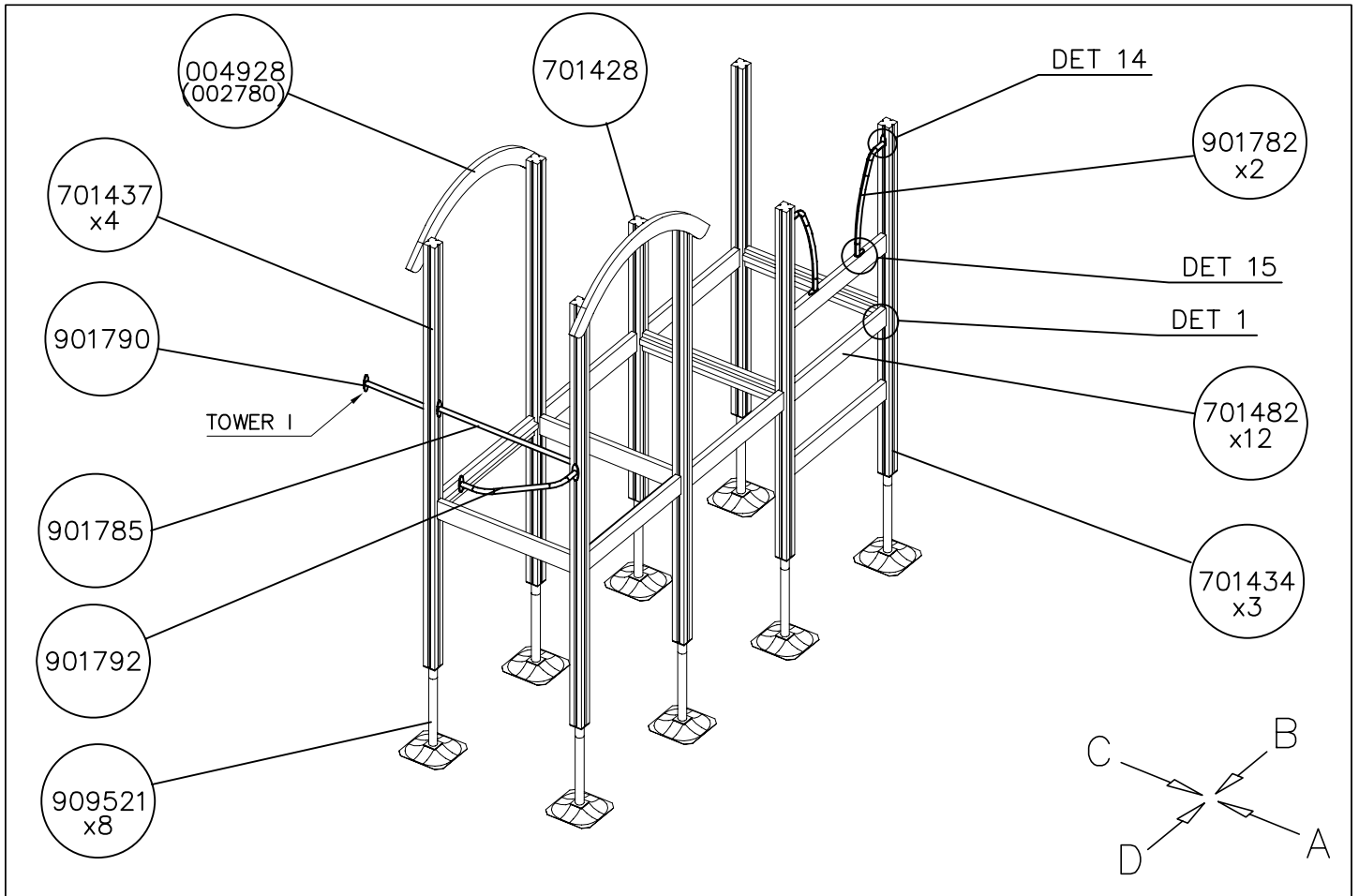




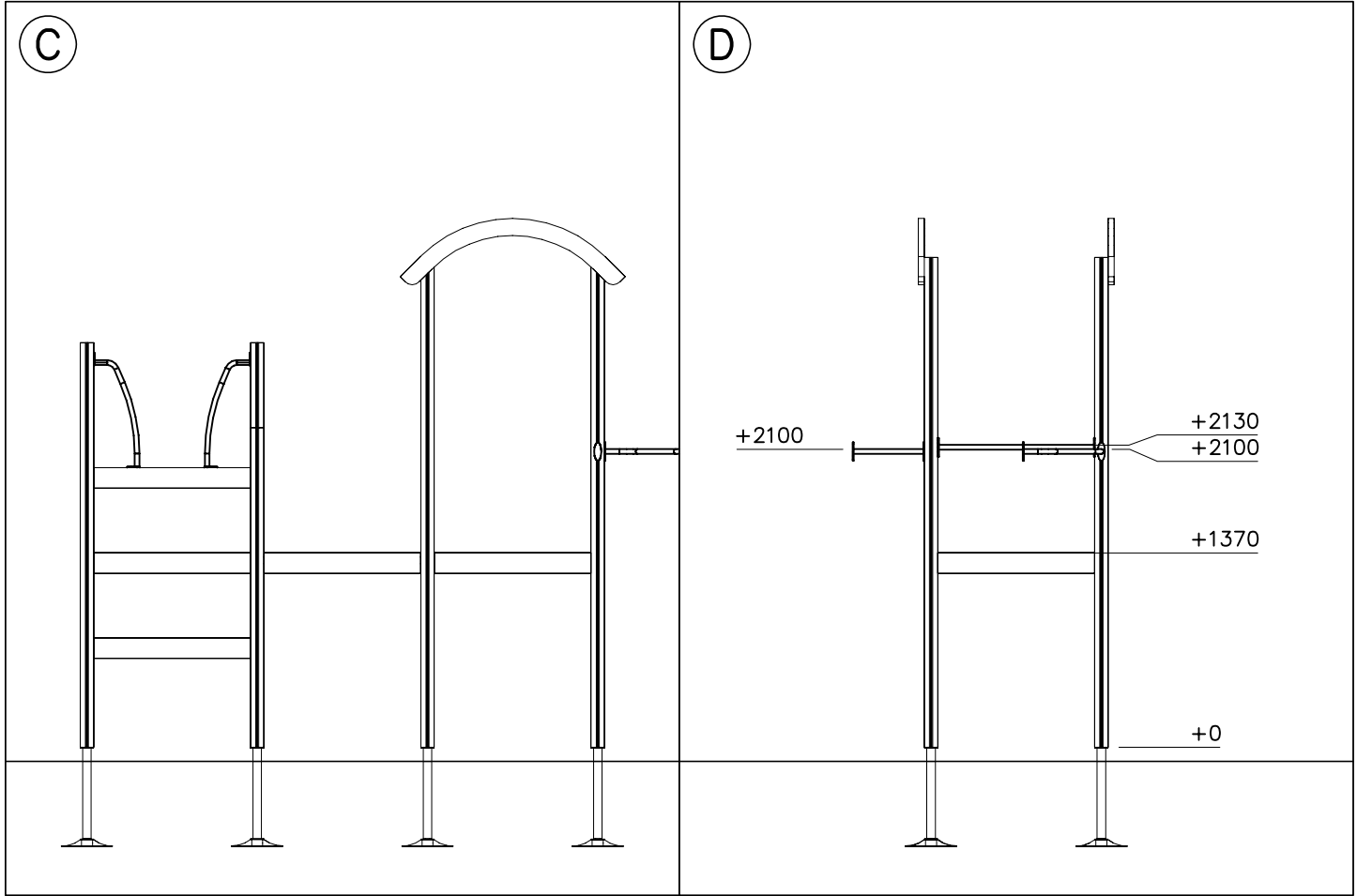
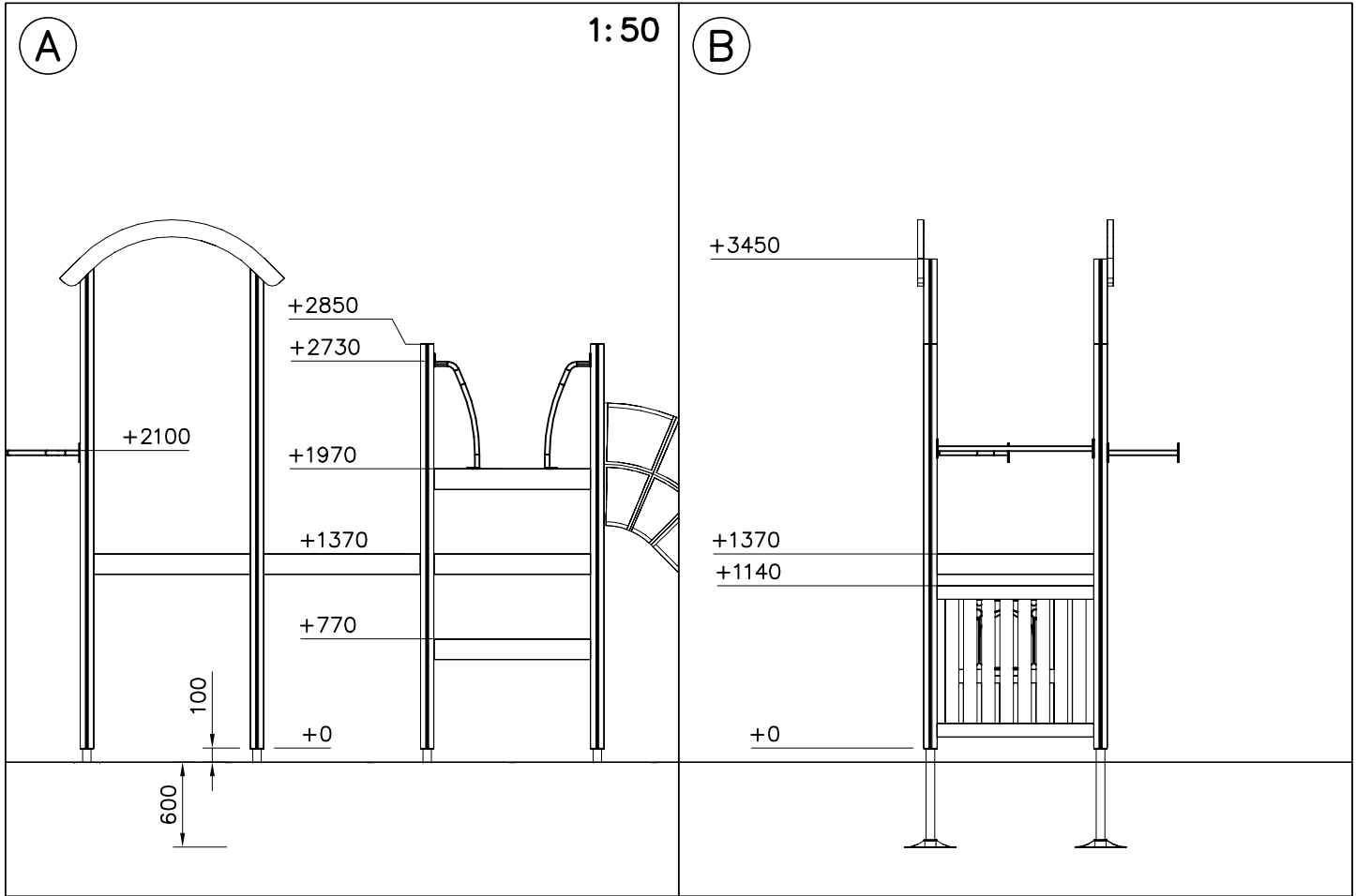


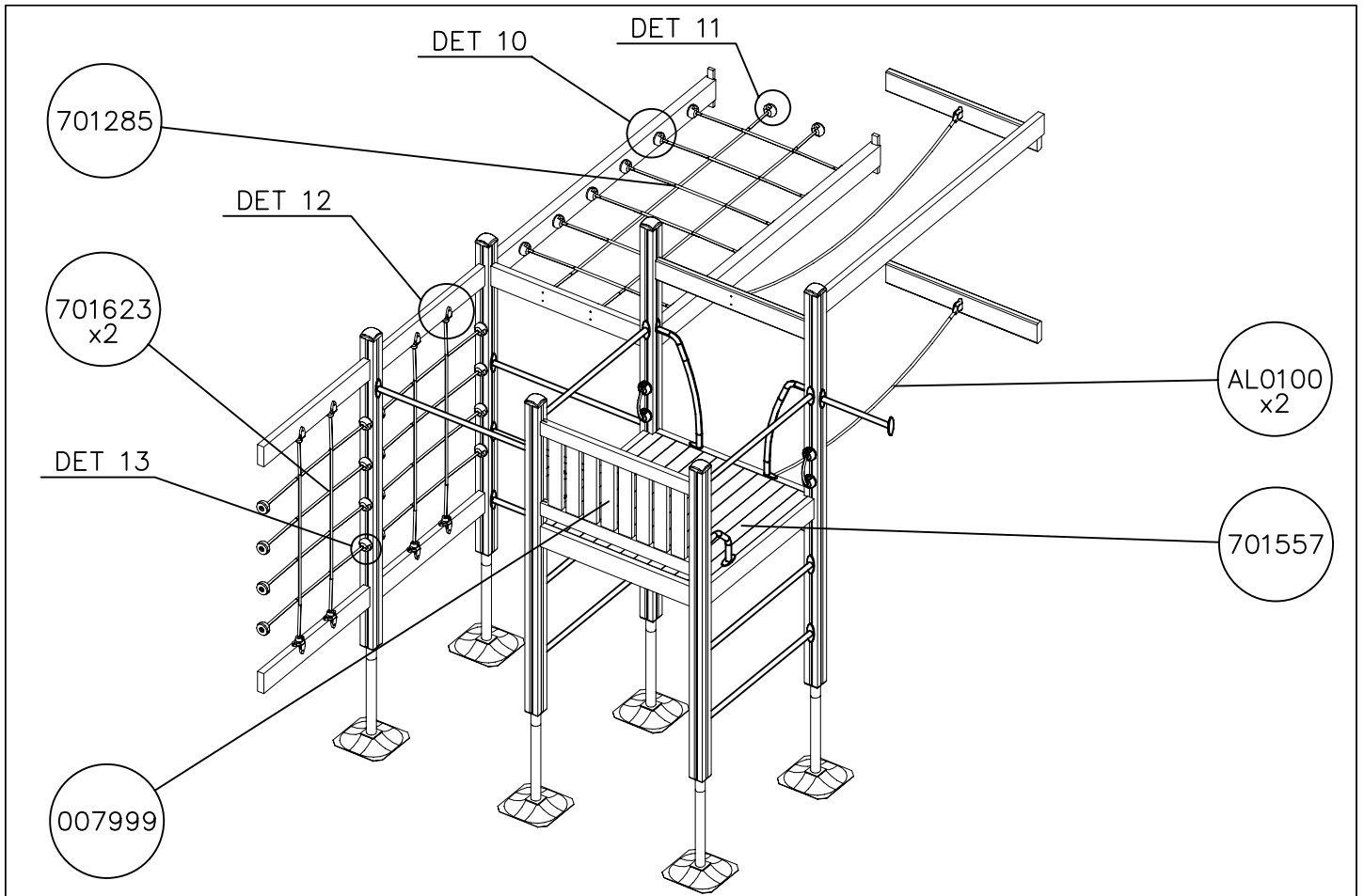
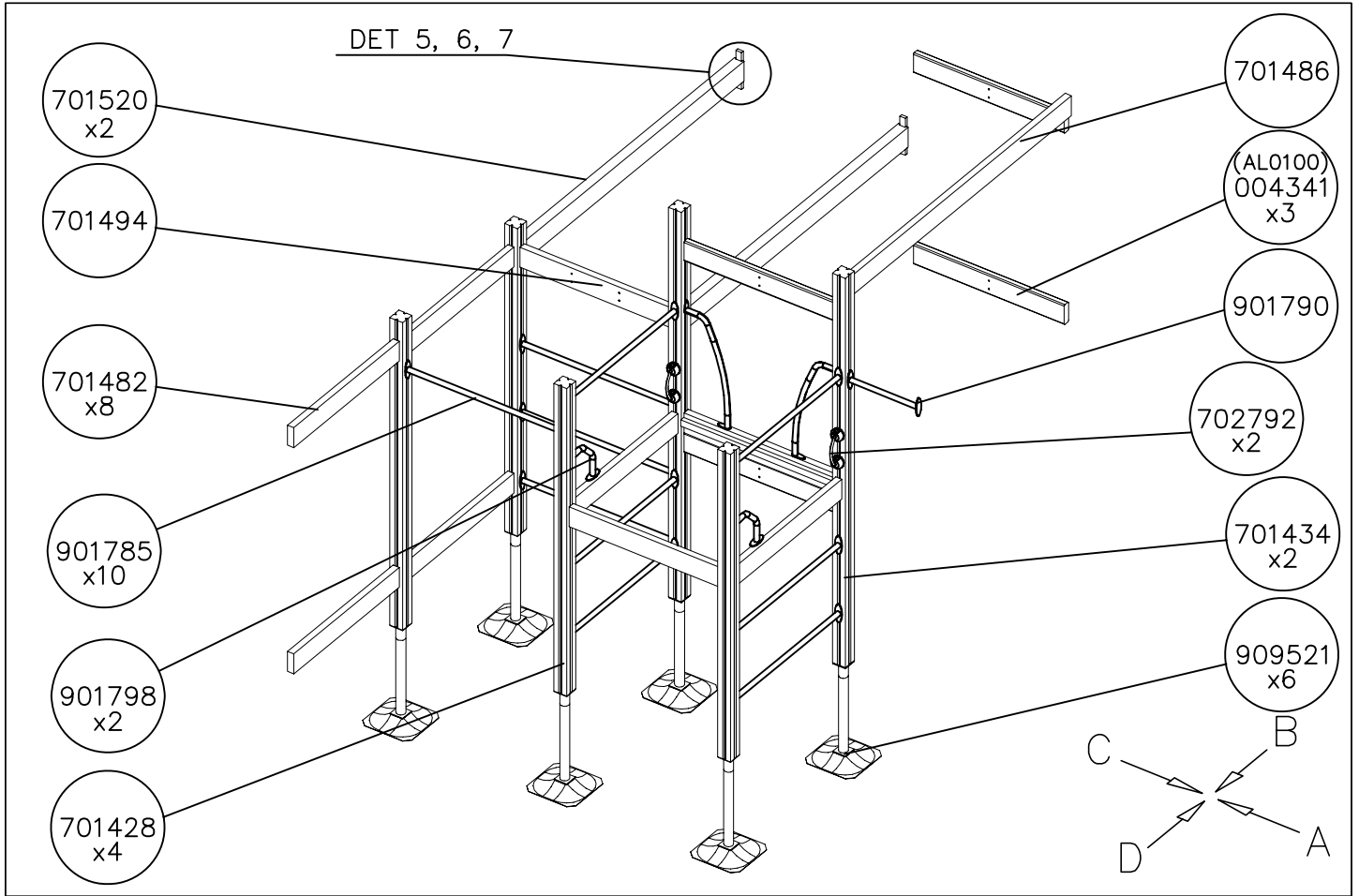


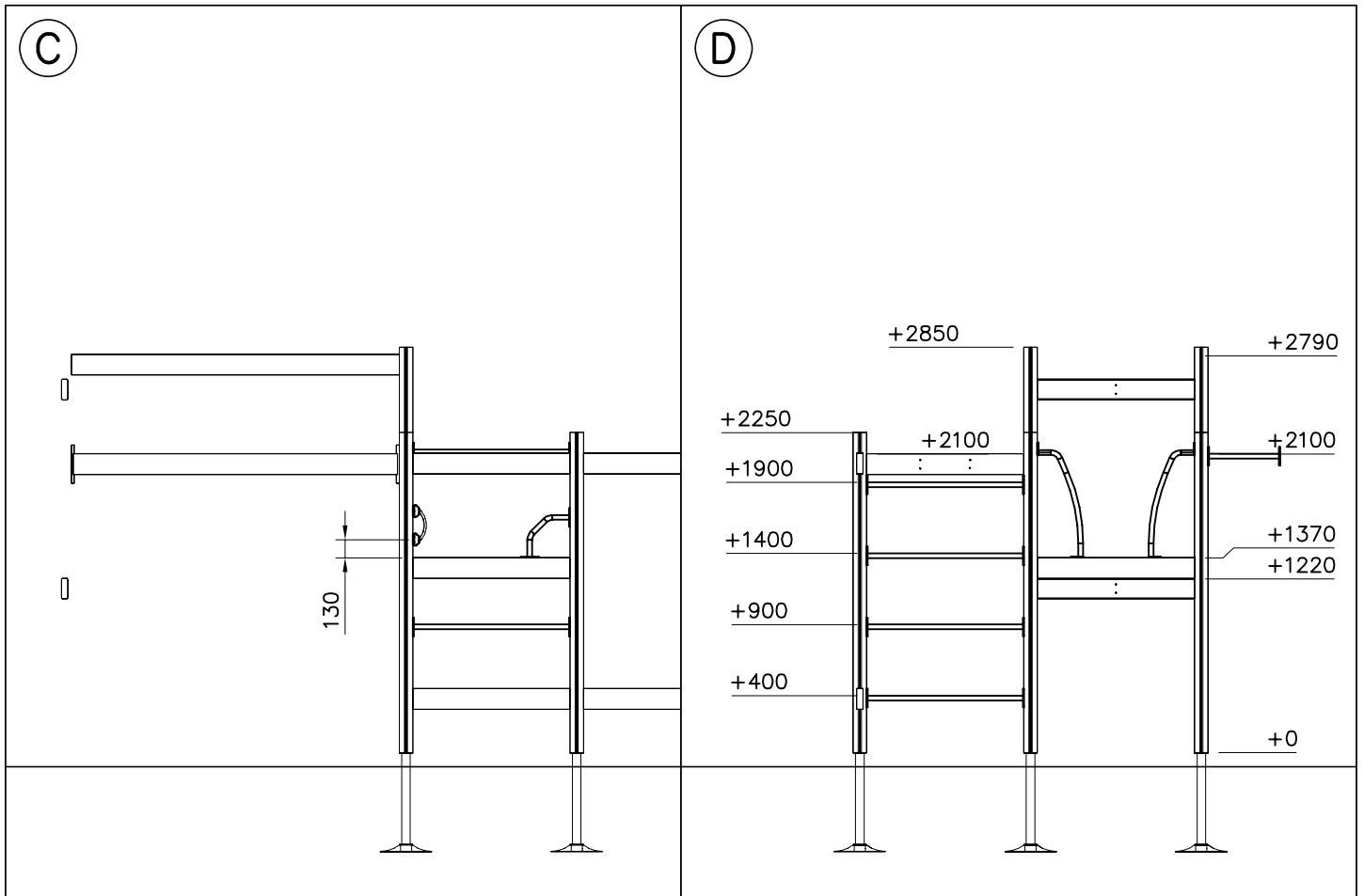
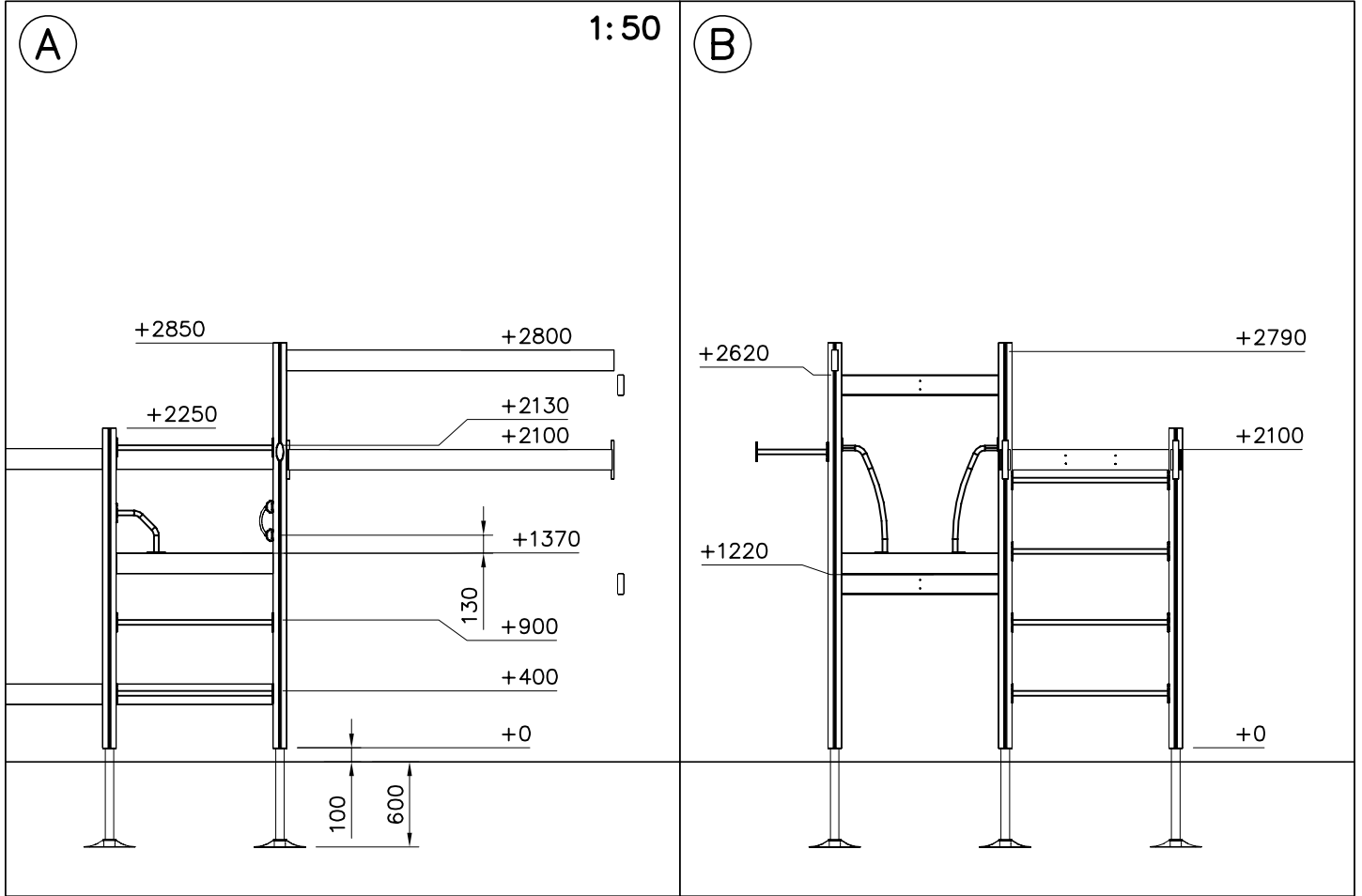


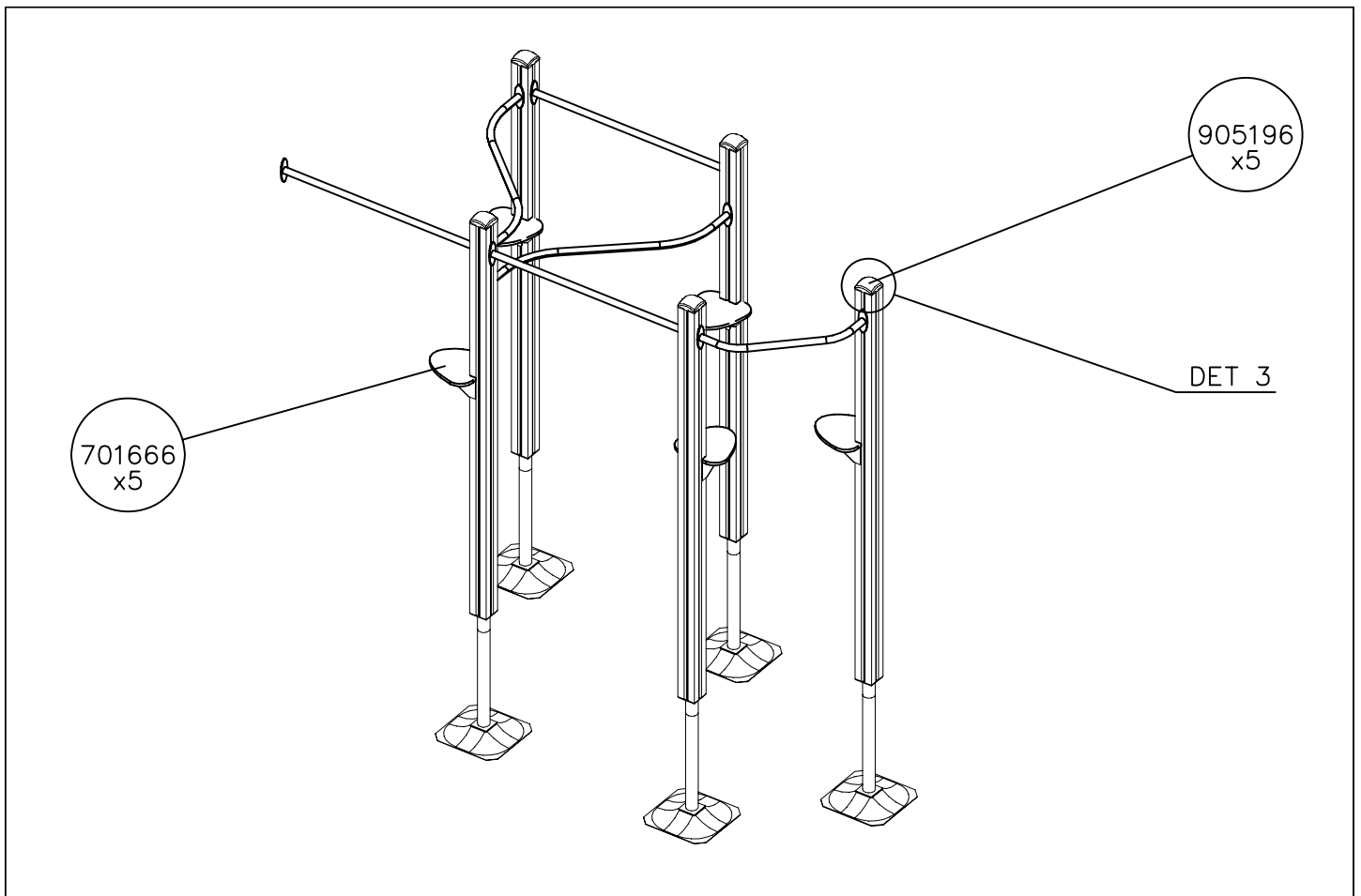
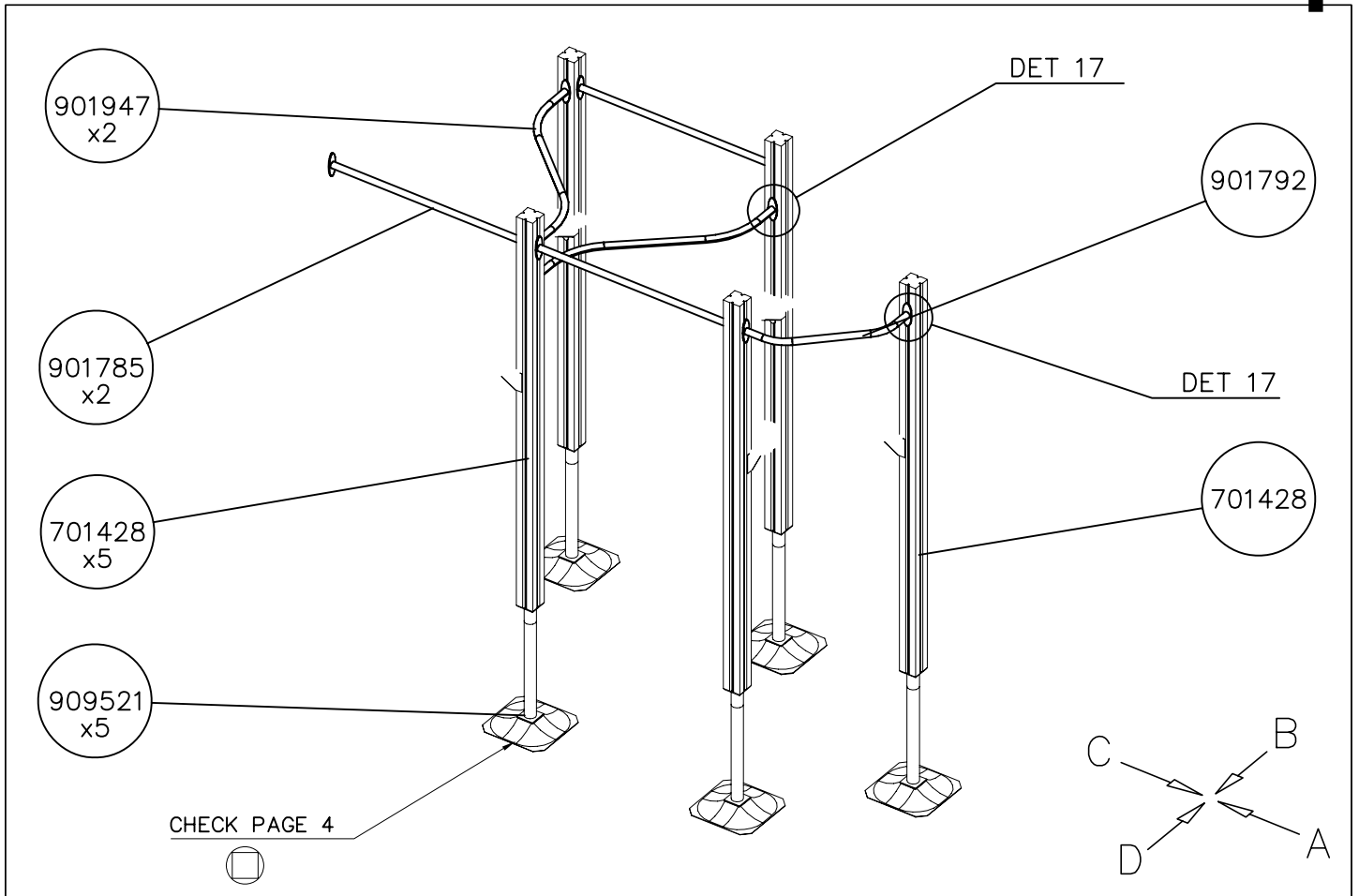


1:50



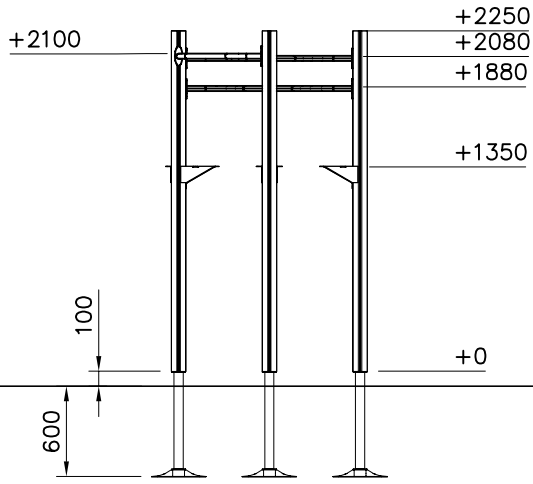




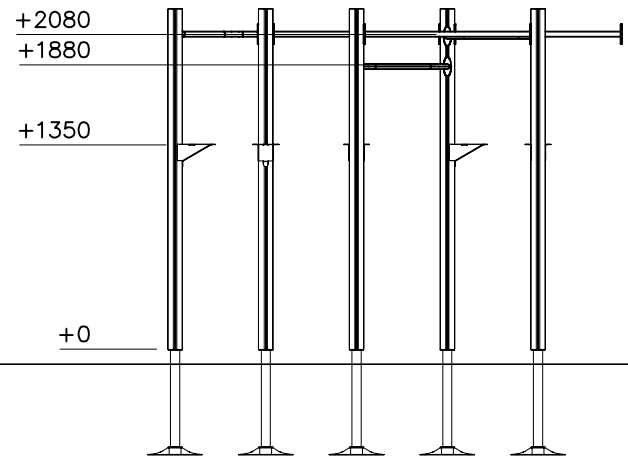


1:50

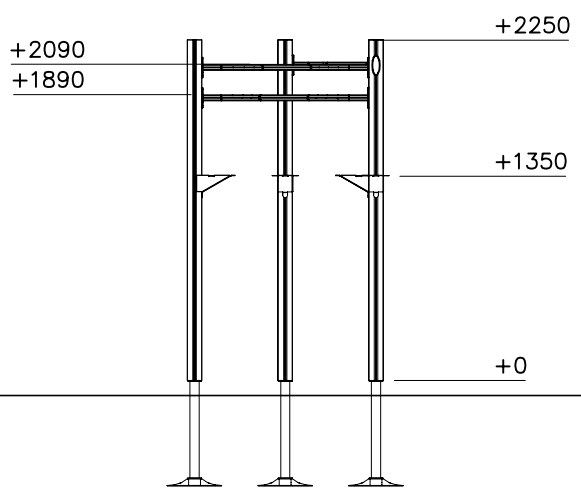
(A)



(B)



(C)



(D)

