

LAPPSET®

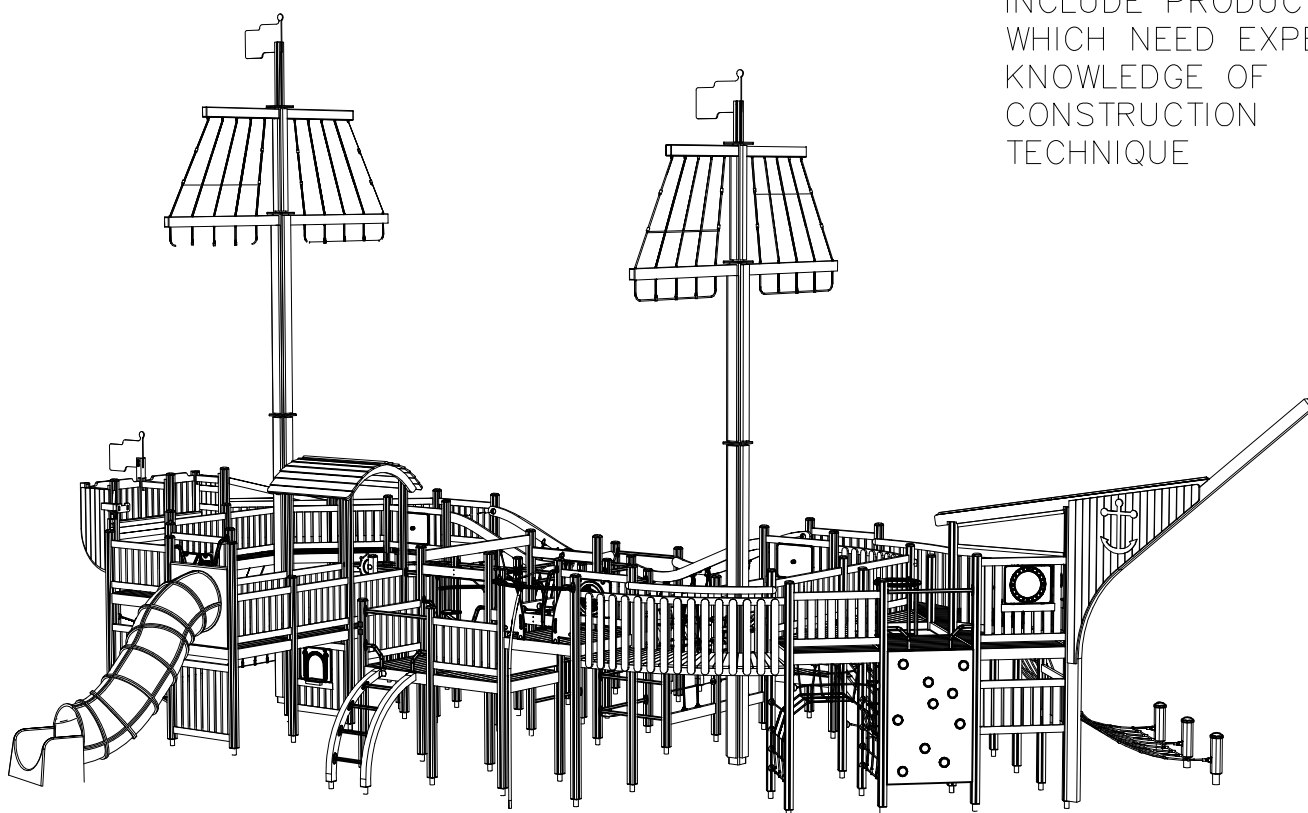
FINNO

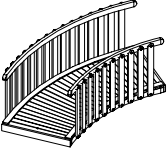
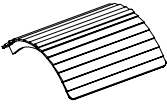
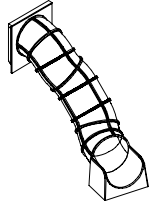
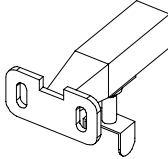
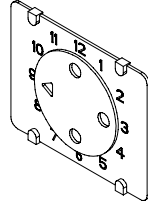
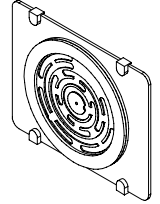
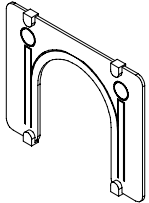
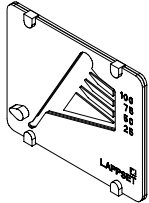
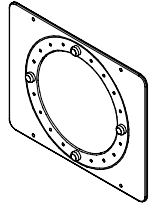
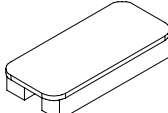

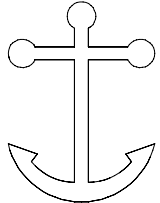
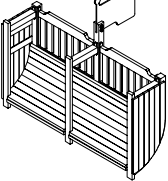


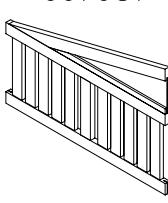
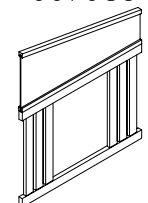
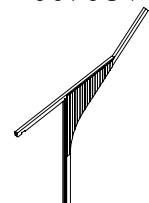
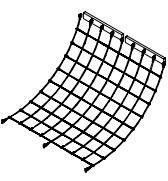
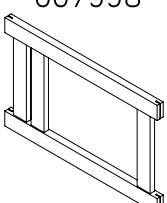
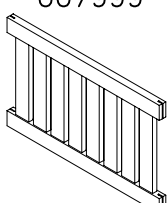
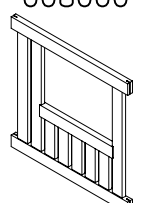
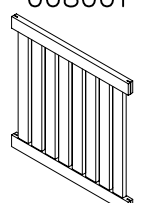
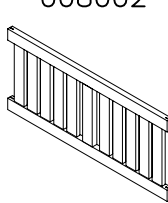

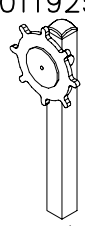
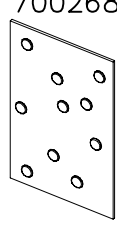
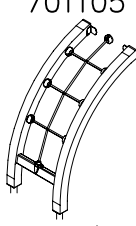





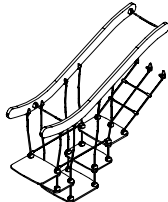

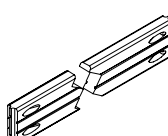
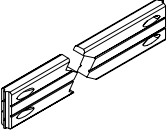
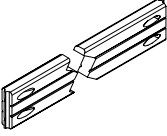
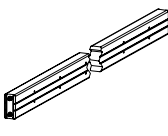
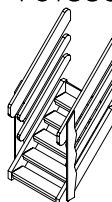
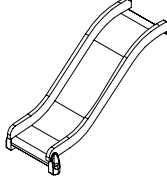
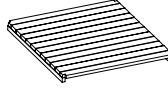
ASENNUSOHJE
MONTERINGSANSVISNING
INSTALLATION INSTRUCTION
AUFBAUANLEITUNG
NOTICE D'INSTALLATION

REF: 120828
DATE: 1.4.2011

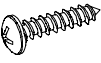

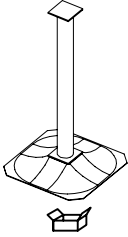
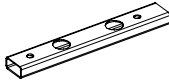

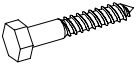
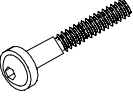






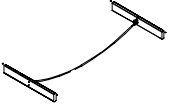
120828

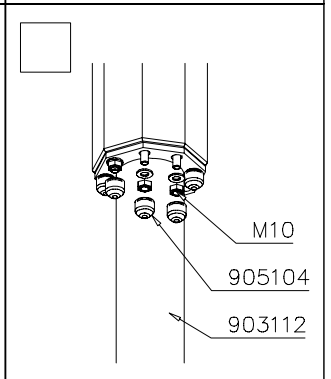
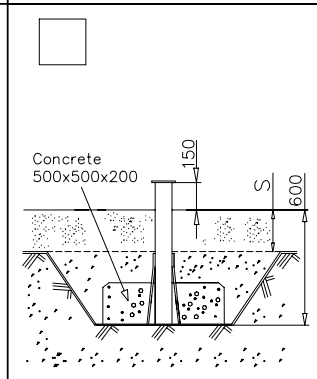
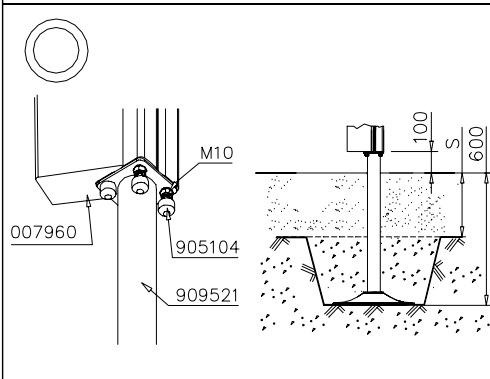
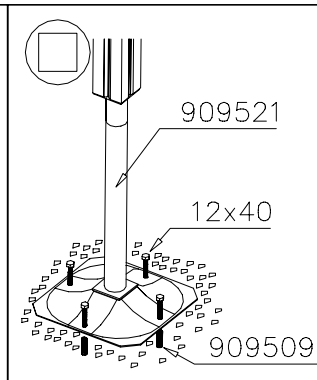
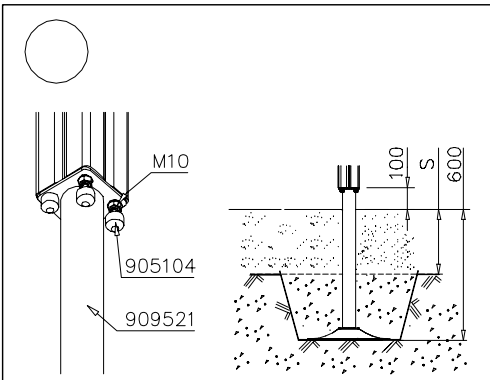
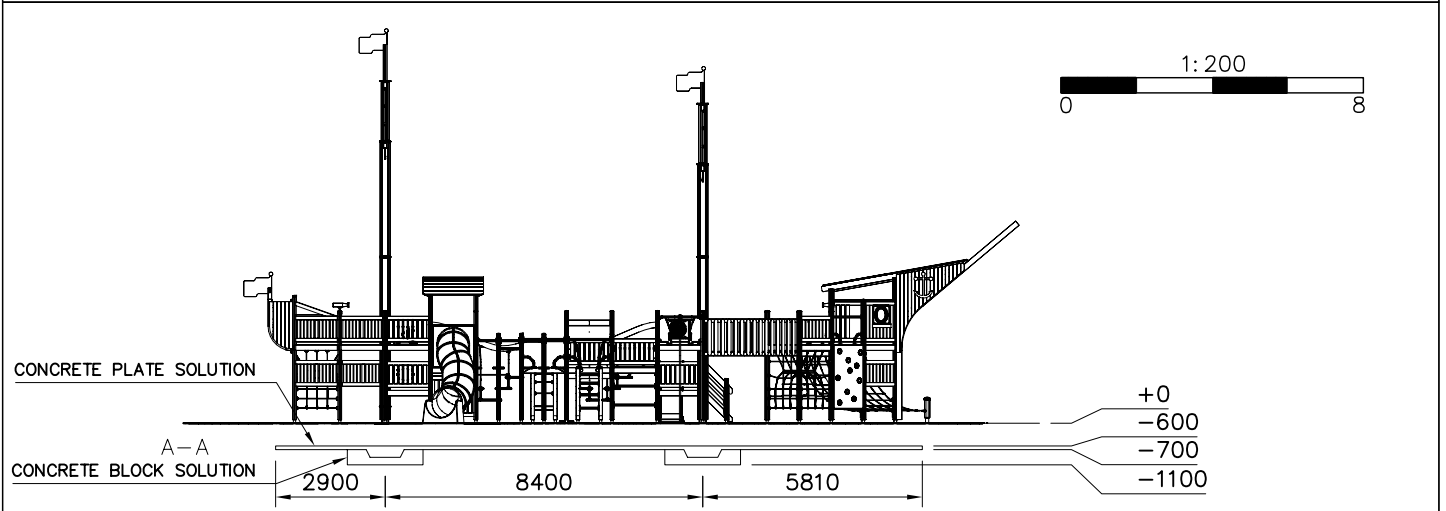
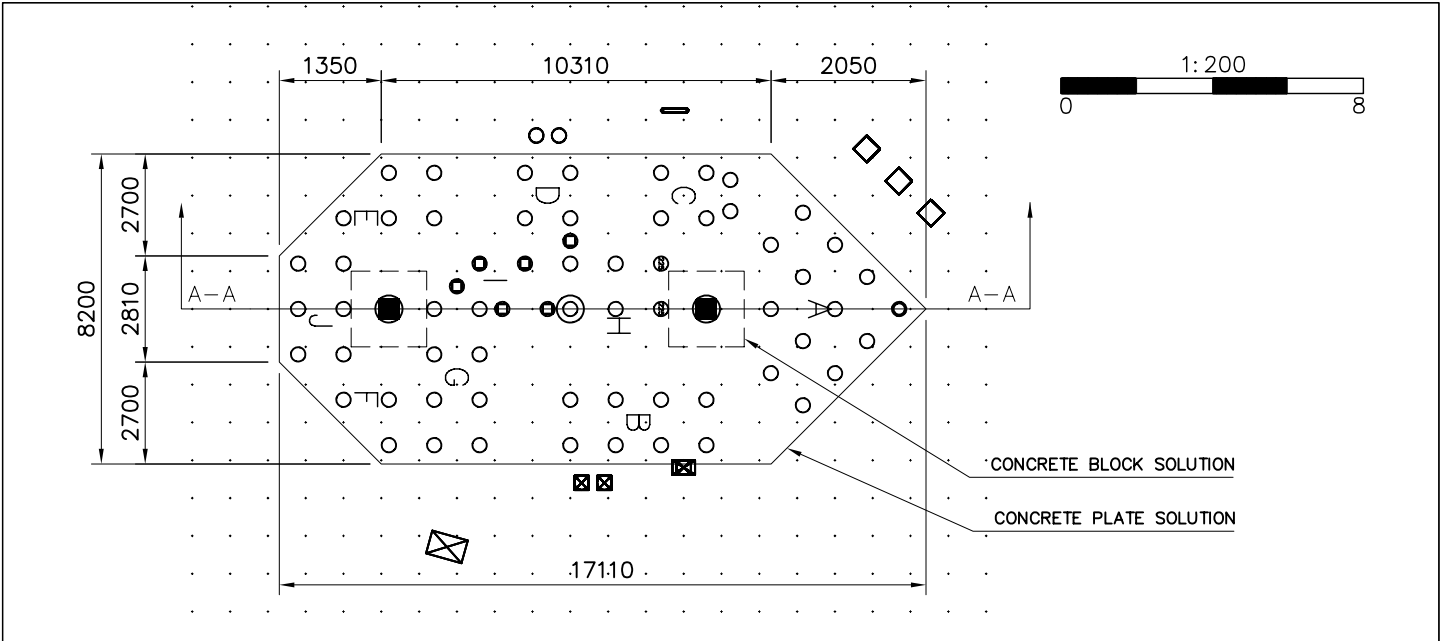
INCLUDE PRODUCT
WHICH NEED EXPERT
KNOWLEDGE OF
CONSTRUCTION
TECHNIQUE



001825  PCS 2	002780  PCS 1	002927  PCS 1	003974  PCS 2	005271  PCS 3	005272  PCS 2
005273  PCS 1	005275  PCS 1	005282  PCS 2	005285  PCS 1	006827  PCS 3 L 3250	007929  PCS 2
007972  PCS 1	007978  PCS 1	007979  PCS 1	007981  PCS 2	007983  PCS 1	007984  PCS 1
007987  PCS 1	007998  PCS 6	007999  PCS 18	008000  PCS 3	008001  PCS 1	008002  PCS 8
009331  PCS 3 L 475	011925  PCS 1	700268  PCS 1	701105  PCS 1	701285  PCS 1 1200x2400	701413  PCS 2 L 1050
701428  PCS 17 L 2250	701434  PCS 35 L 2850	701437  PCS 5 L 3450	701451  PCS 2	701470  PCS 2 L 3150	701482  PCS 84 L 1104
701486  PCS 1 L 2304	701494  PCS 2 L 1104	701520  PCS 2 L 2280	701550  PCS 1	701556  PCS 1	701557  PCS 20

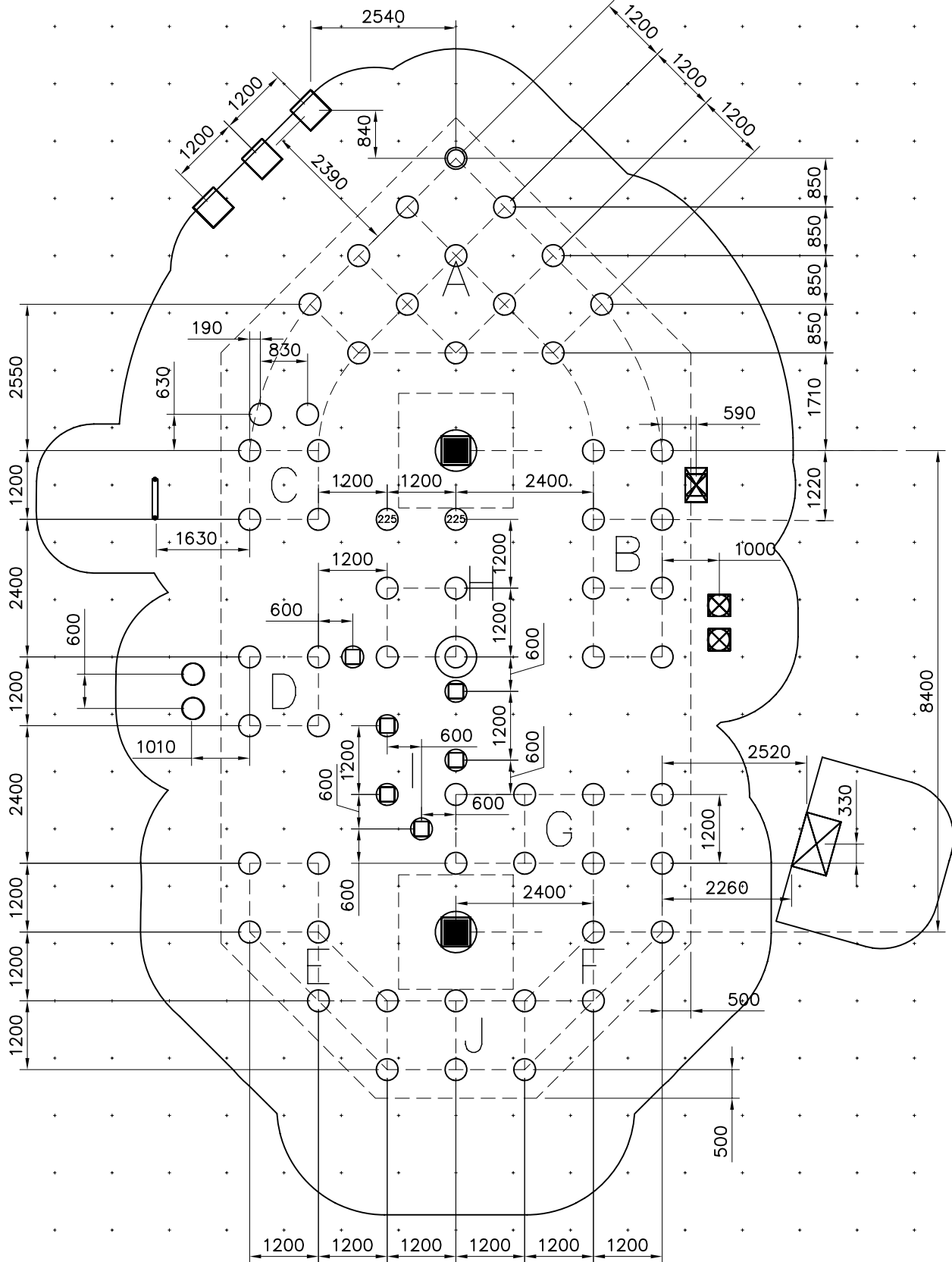
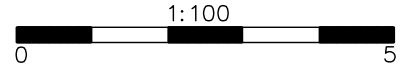
701569 8 	PCS 8	701574 8 	PCS 8	701582 1 	PCS 1	701594 1 	PCS 1	701605 1 	PCS 1	701606 1 	PCS 1
701623 2 	PCS 2	701660 3 	PCS 3	701666 7 	PCS 7	701928 1 	PCS 1	702286 1 	PCS 1	702339 1 	PCS 1
702572 1 	PCS 1	702722 1 	PCS 1	702740 4 L 1018 	PCS 4	702744 2 	PCS 2	702792 3 	PCS 3	702943 3 	PCS 3
900240 300 8x70 	PCS 300	901600 1 	PCS 1	901782 8 	PCS 8	901785 21 L 1104 	PCS 21	901790 4 L 505 	PCS 4	901792 2 	PCS 2
901798 12 	PCS 12	901947 2 	PCS 2	902487 2 65x65 	PCS 2	903112 3 	PCS 3	905051 348 Ø25 	PCS 348	905083 36 Ø32 	PCS 36
905102 8 SR-H-2040 	PCS 8	905103 8 PT-28/32-H 	PCS 8	905104 300 	PCS 300	905112 36 Ø22 	PCS 36	905138 57 GRAY 	PCS 57	905139 3 BLACK 	PCS 3
905196 57 GRAY 	PCS 57	905197 3 BLACK 	PCS 3	909117 24 M8x100 	PCS 24	909235 12 8x60 	PCS 12	909238 348 8x90 	PCS 348	909349 24 M12x40 	PCS 24


909506	PCS 8	909509	PCS 24	909521	PCS 69	909578	PCS 4	909638	PCS 8	909862	PCS 8
											
Ø3.5x13		M12x50						Ø20/10.5		10x60	
909867	PCS 8	980102	PCS 12	980123	PCS 52	980128	PCS 18	980131	PCS 240	980150	PCS 32
											
M8x70		5x40		Ø7x60		Ø7x40		Ø6x60		M8	
980151	PCS 36	AL0100	PCS 2		PCS		PCS		PCS		PCS
											
Ø16/8.4											
	PCS		PCS		PCS		PCS		PCS		PCS
	PCS		PCS		PCS		PCS		PCS		PCS
	PCS		PCS		PCS		PCS		PCS		PCS

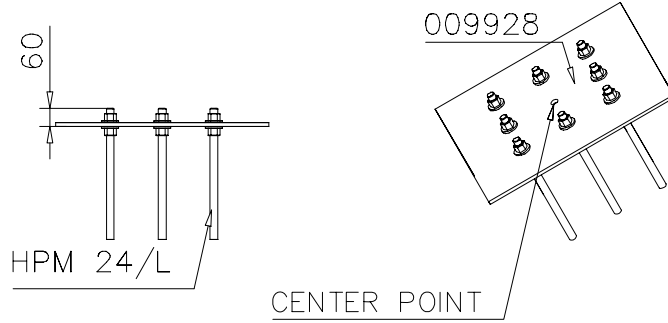


EN Impact Area 203.3 m²

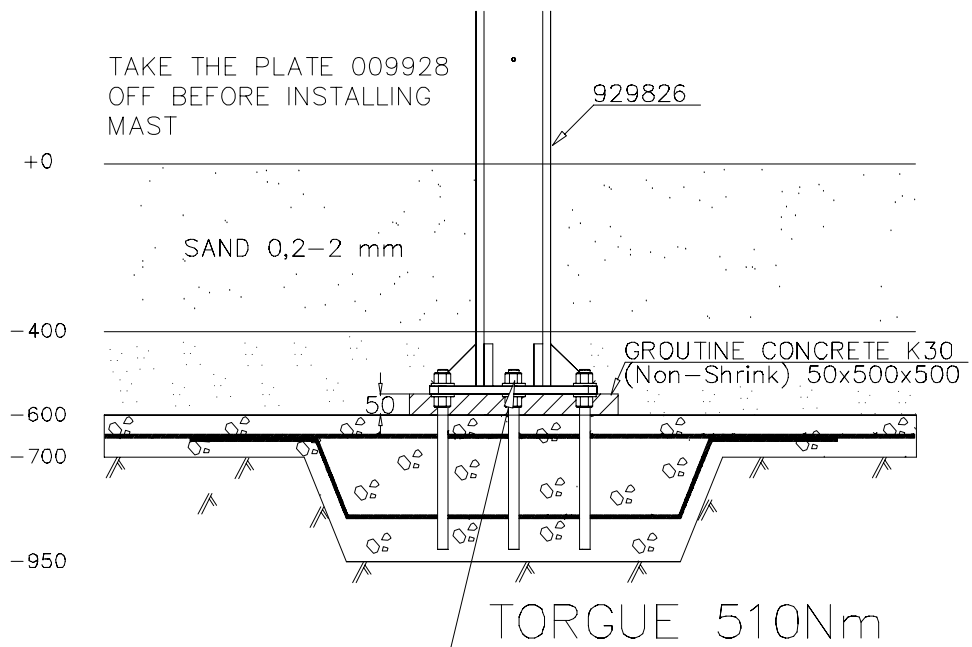
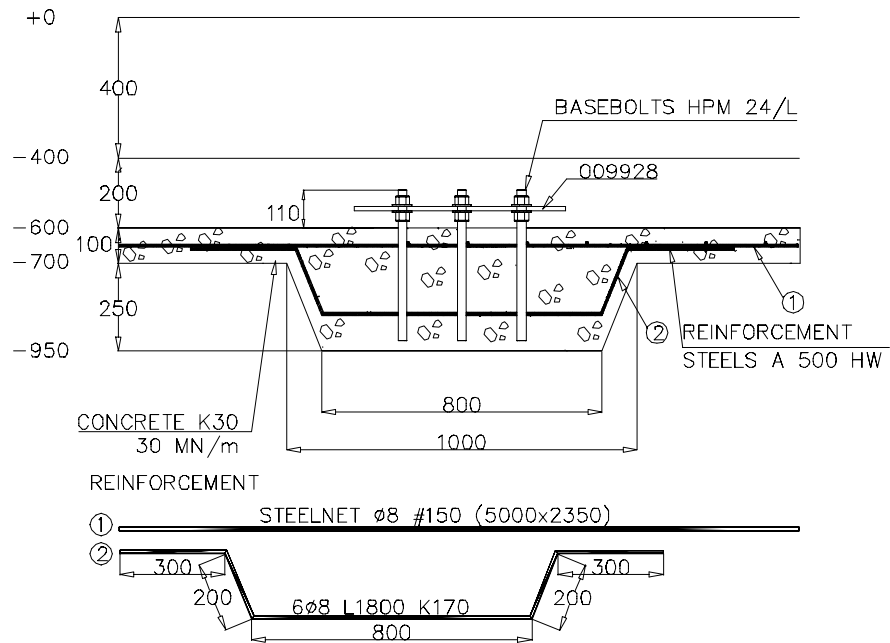
Grid size = 1000mm



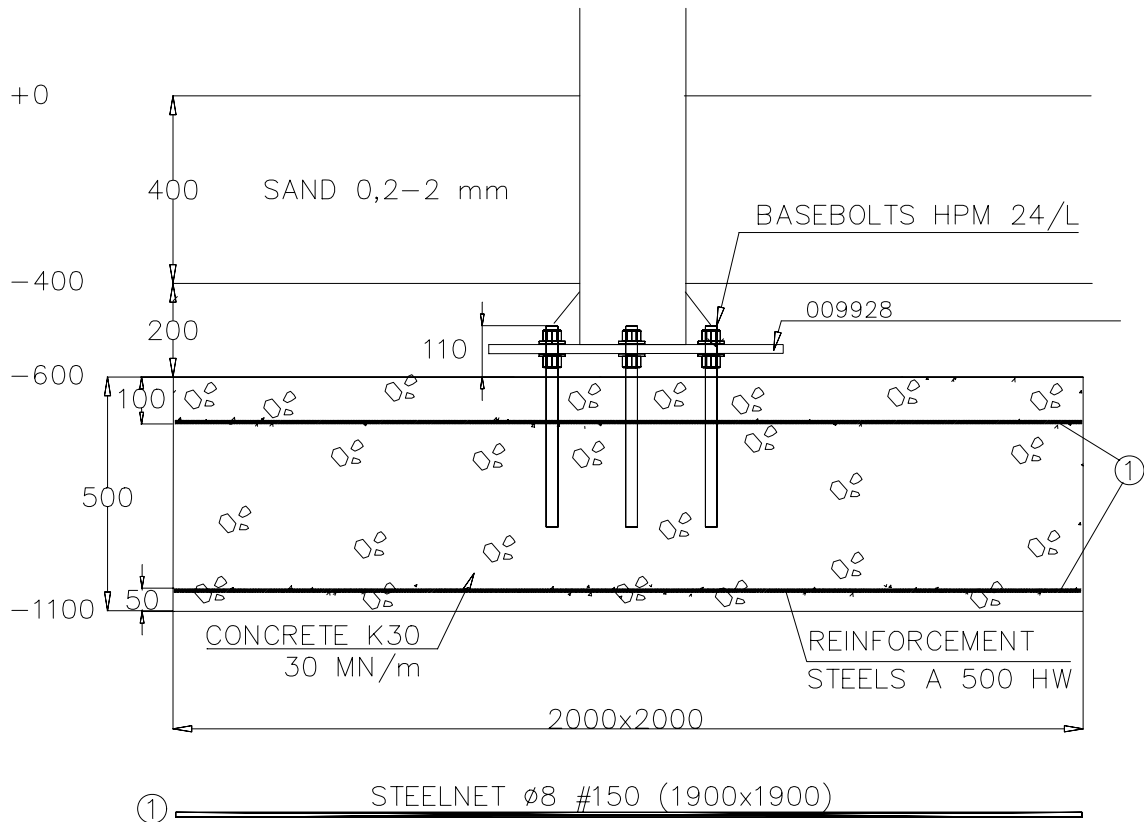
 START POINT (CENTER TO CENTER)



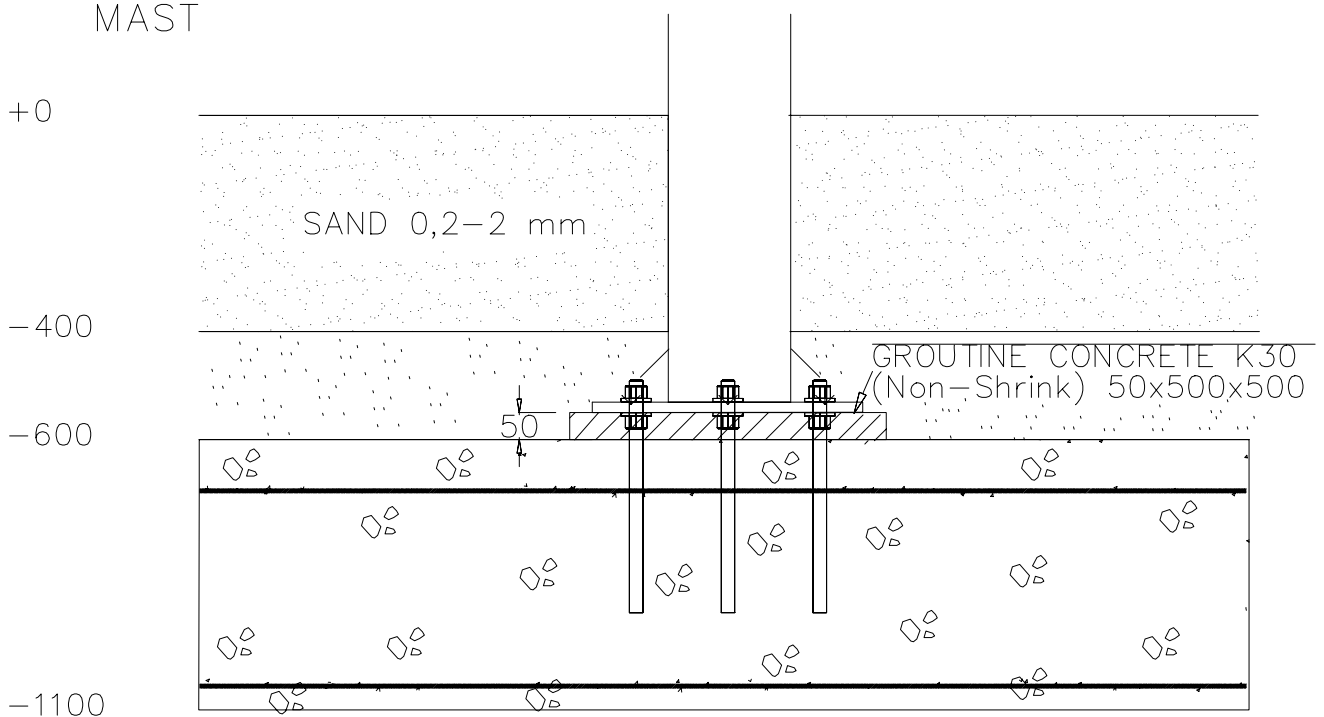
CONCRETE PLATE SOLUTION



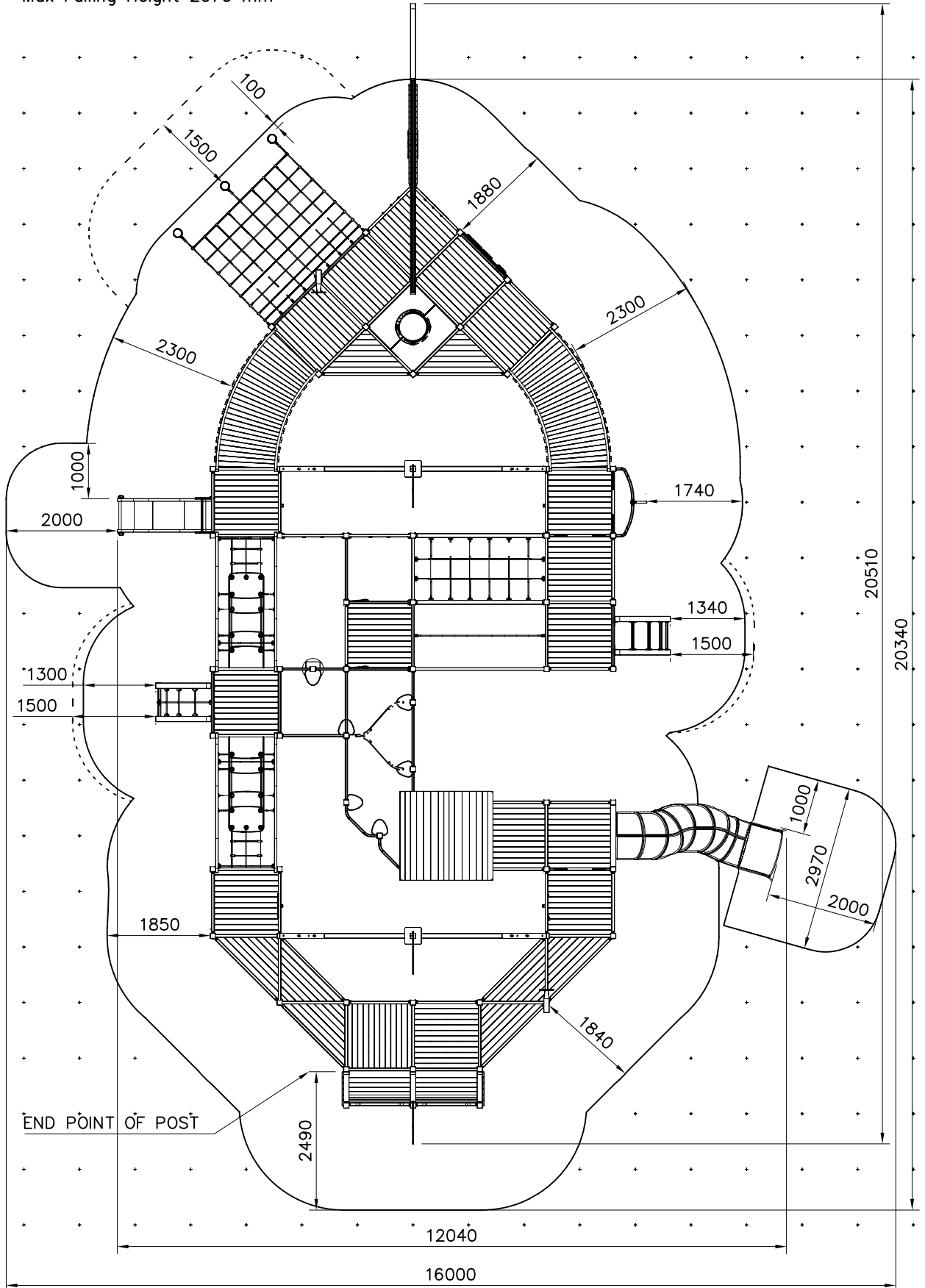
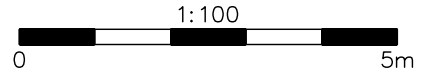
OPTION CONCRETE BLOCK SOLUTION



TAKE THE PLATE 009928
OFF BEFORE INSTALLING
MAST



— EN Impact Area 203.3 m²
 - - - Falling Space 211.8 m²
 Max Falling Height 2070 mm

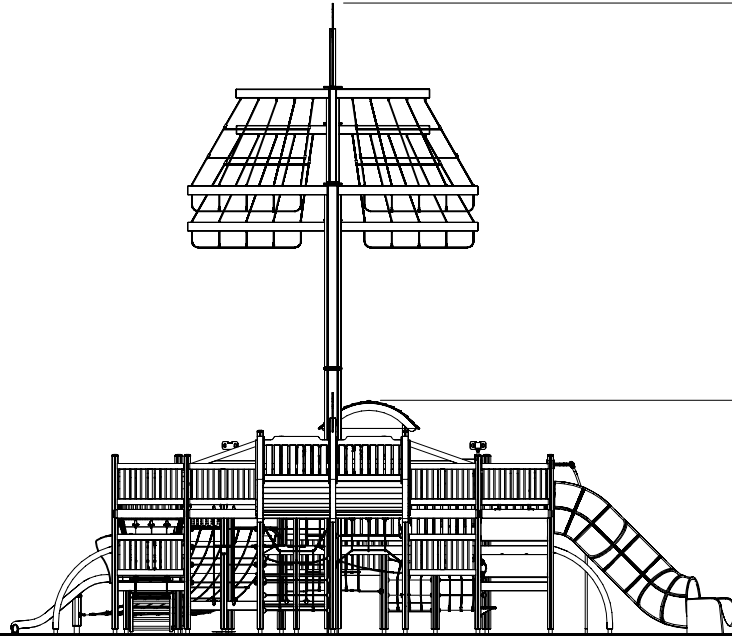


1:125

+10440

+3870

+0



1:125

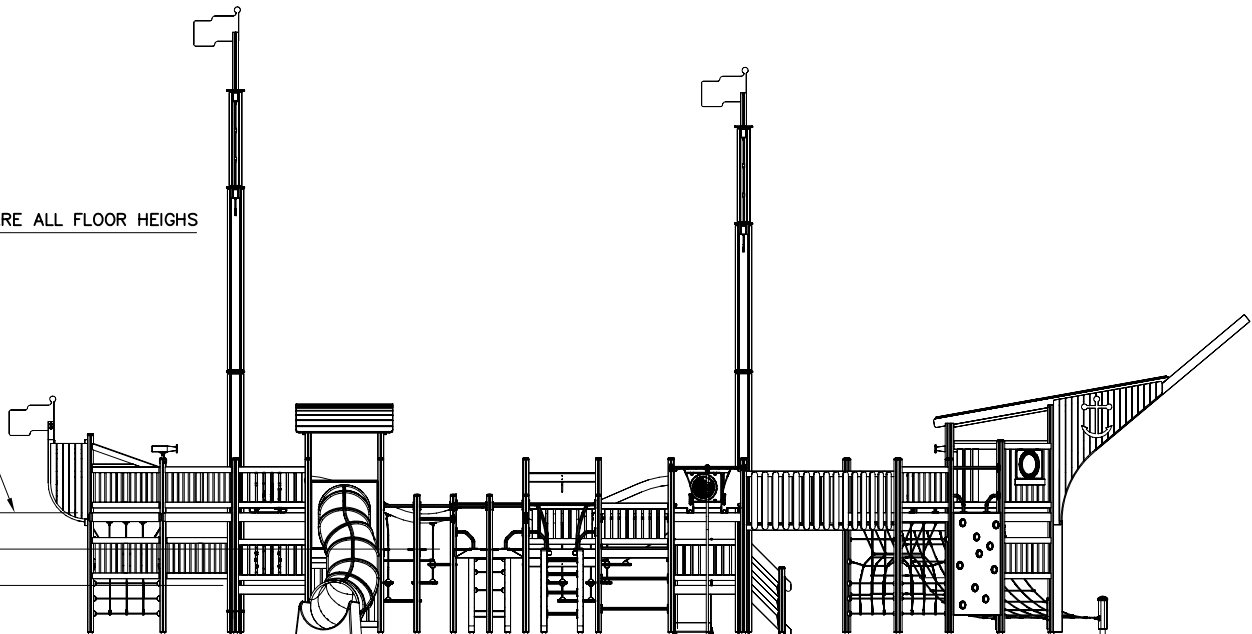
THESE ARE ALL FLOOR HEIGHTS

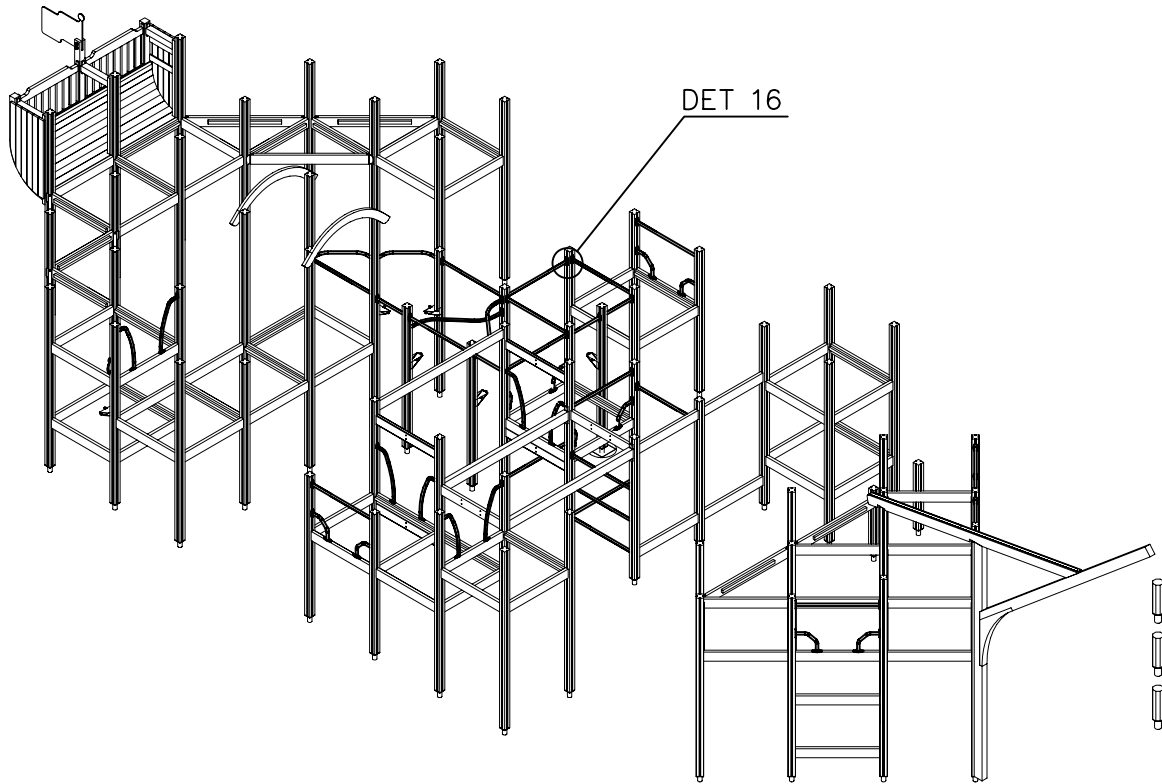
+2070

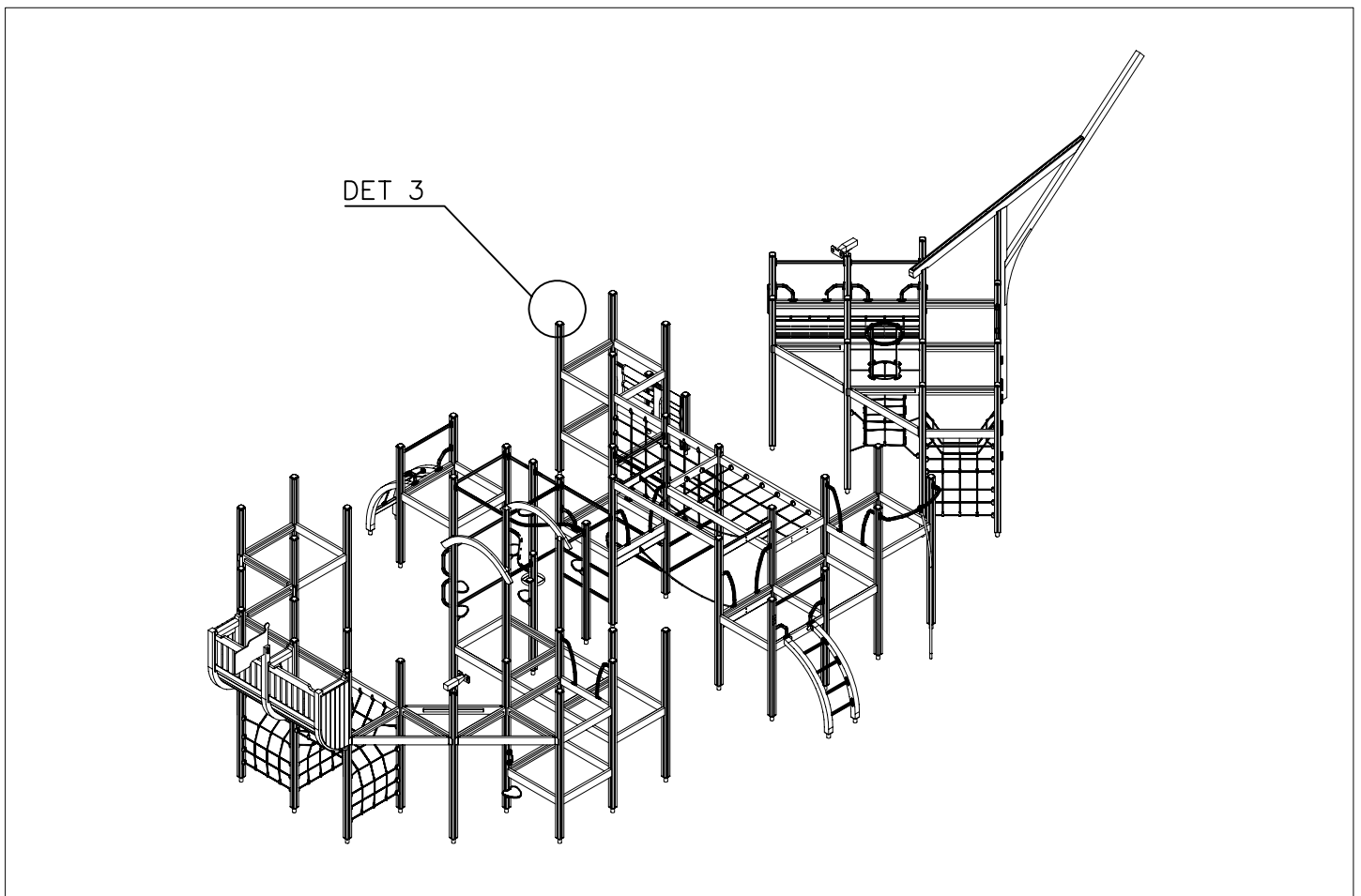
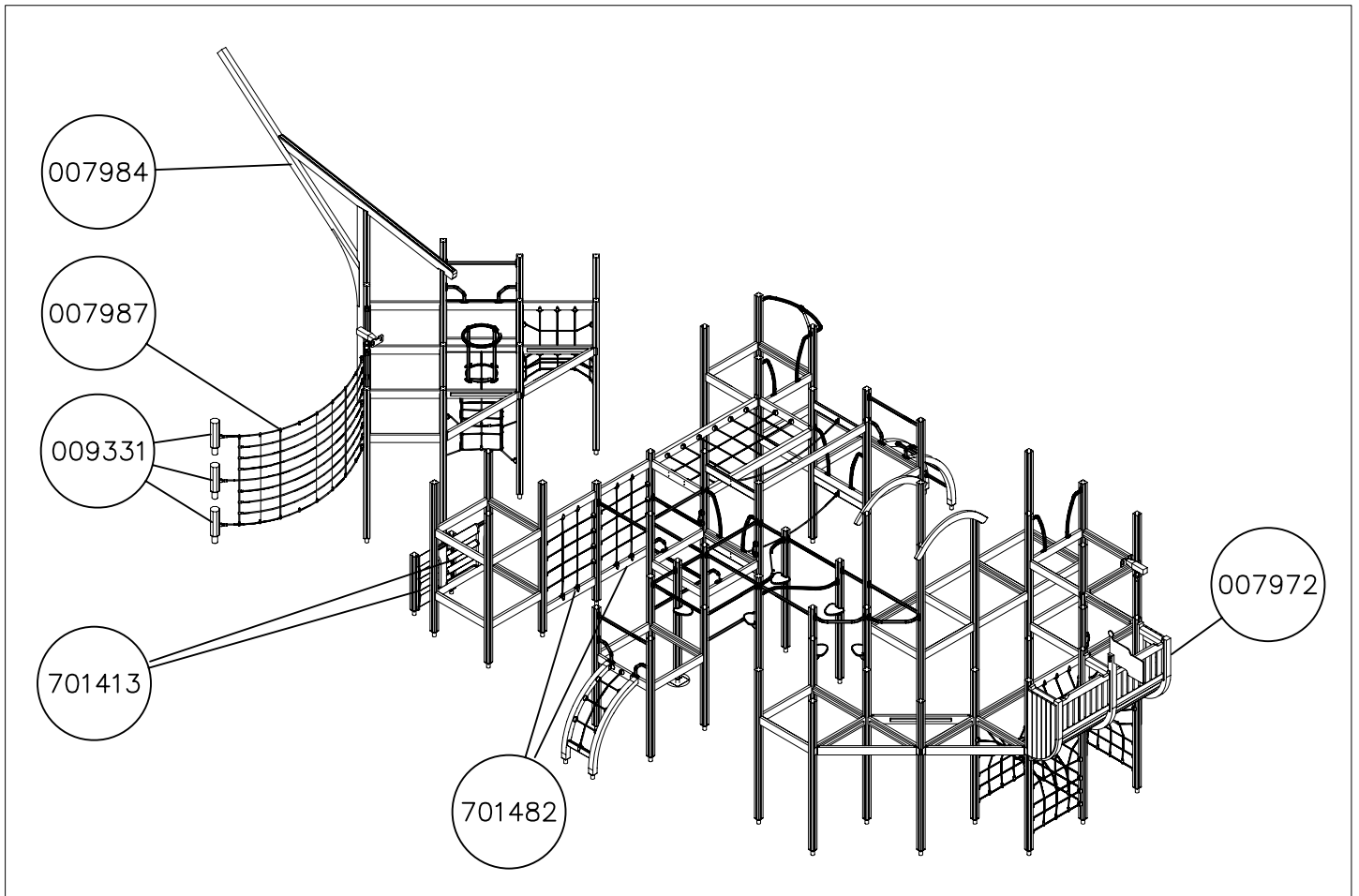
+1470

+870

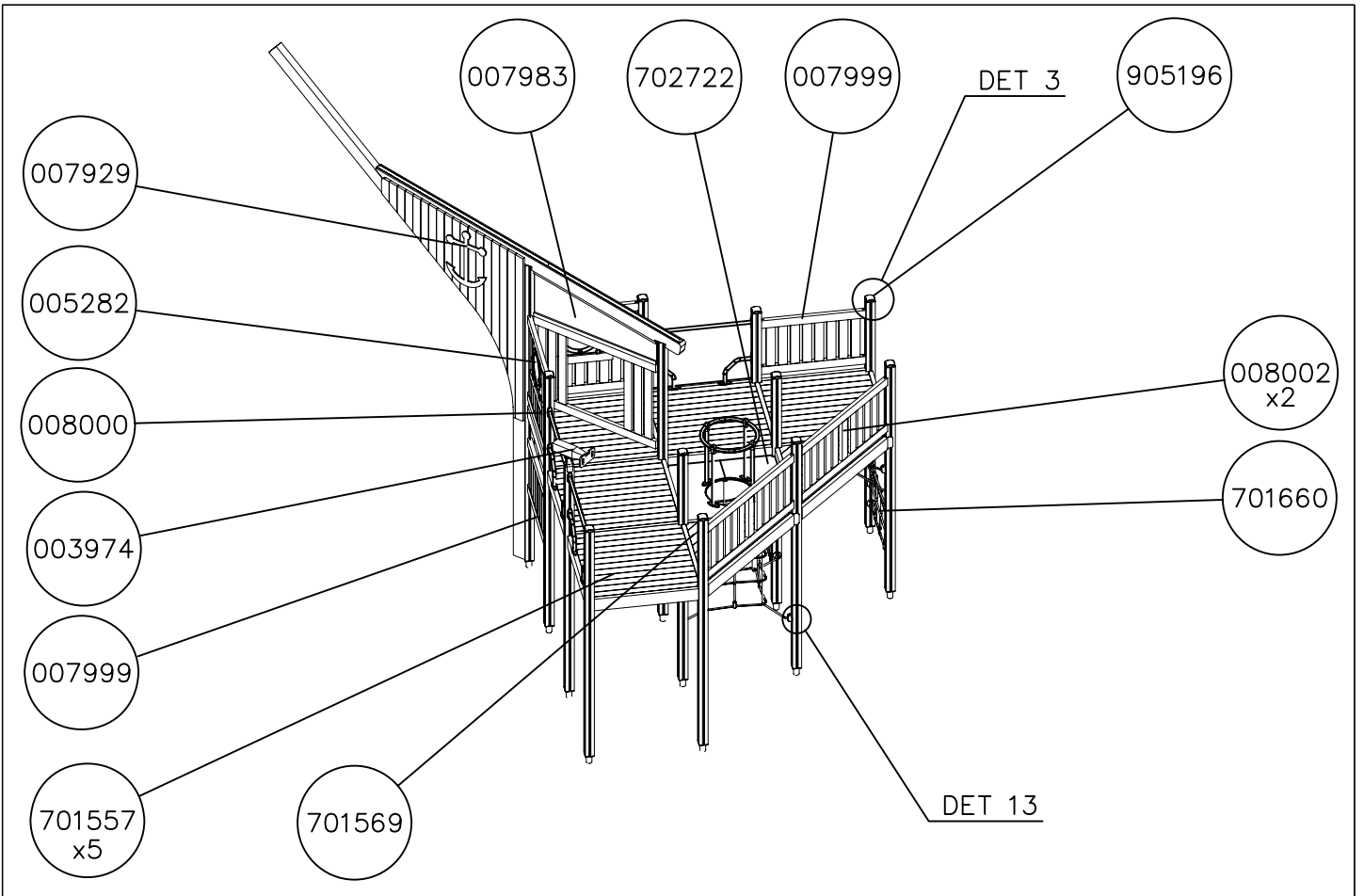
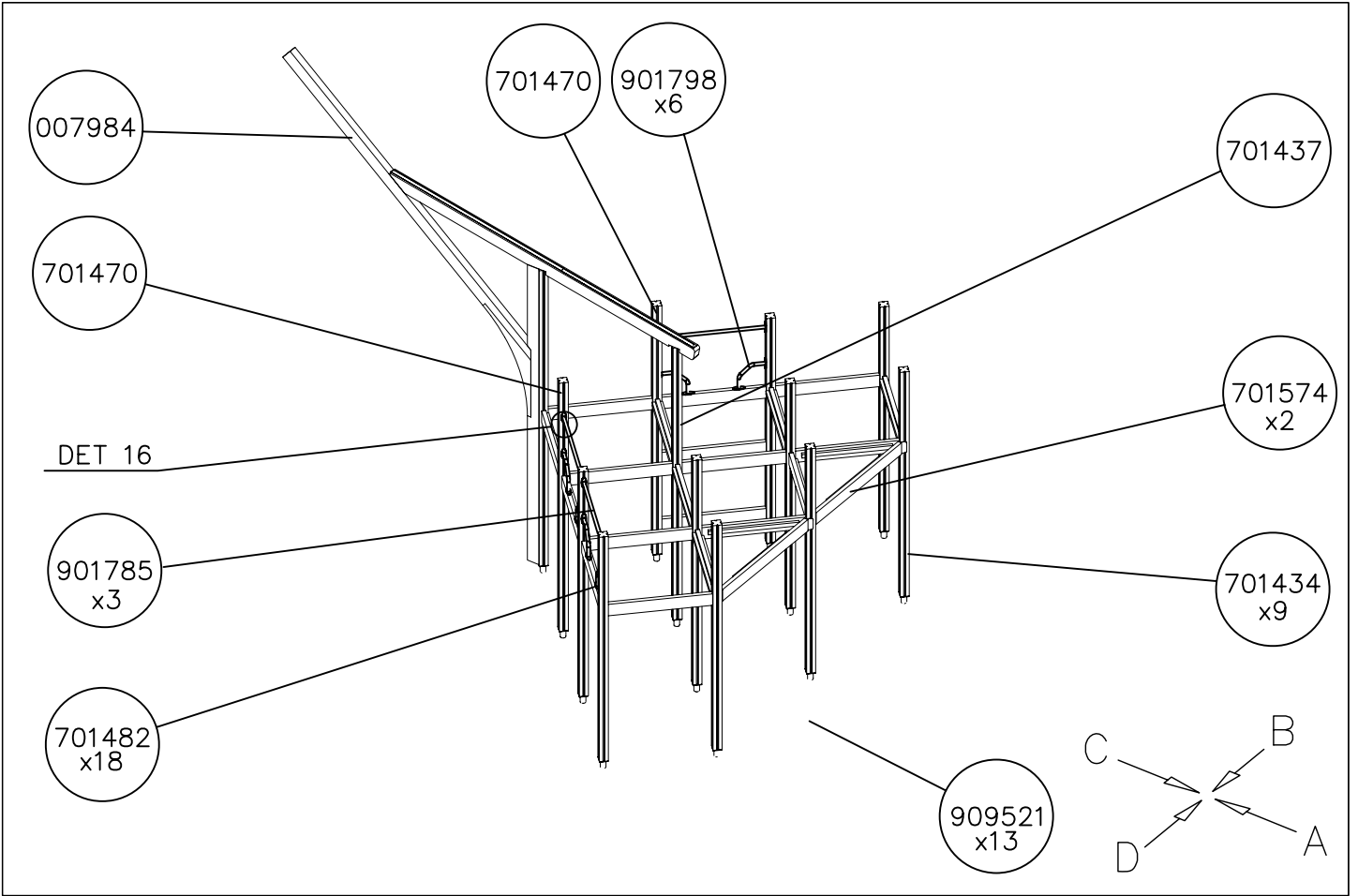
+0





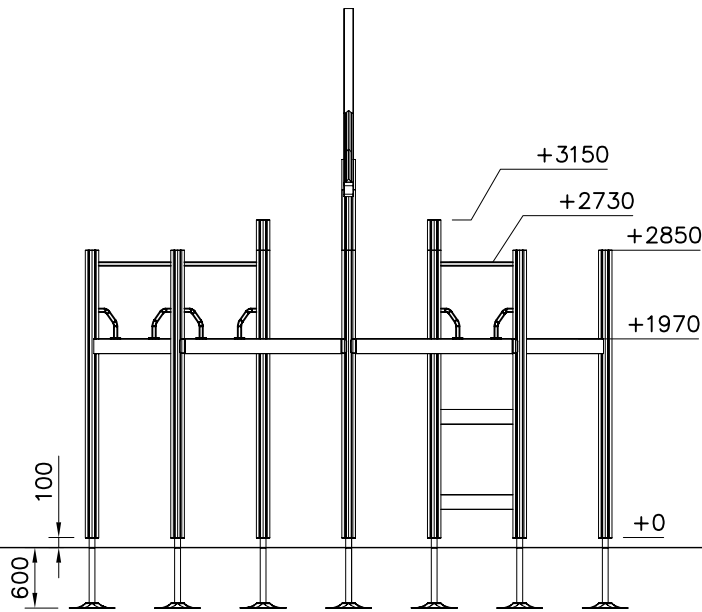


<p>DET 1</p>	<p>DET 2</p>	<p>DET 3</p>	<p>DET 4</p>
<p>DET 5</p>	<p>DET 6</p>	<p>DET 7</p>	<p>DET 8</p>
<p>DET 9</p>	<p>DET 10</p>	<p>DET 11</p>	<p>DET 12</p>
<p>DET 13</p>	<p>DET 14</p>	<p>DET 15</p>	<p>DET 16</p>
<p>DET 17</p>	<p>DET 18</p>	<p>DET 19</p>	<p>DET 20</p>

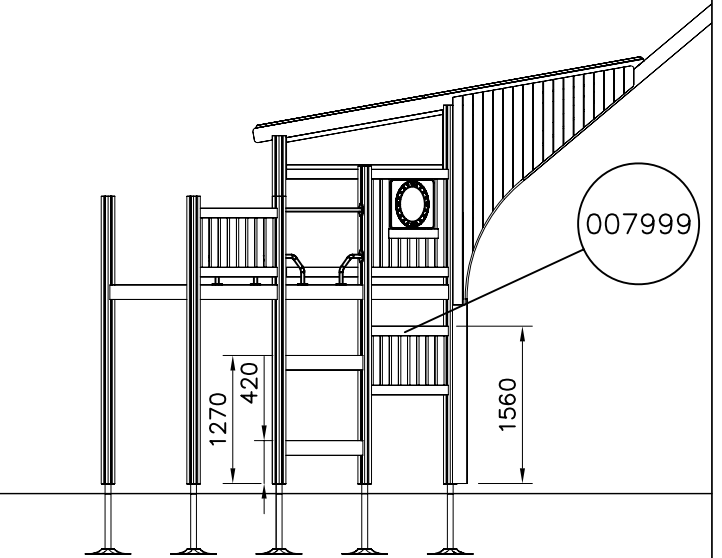


1:50

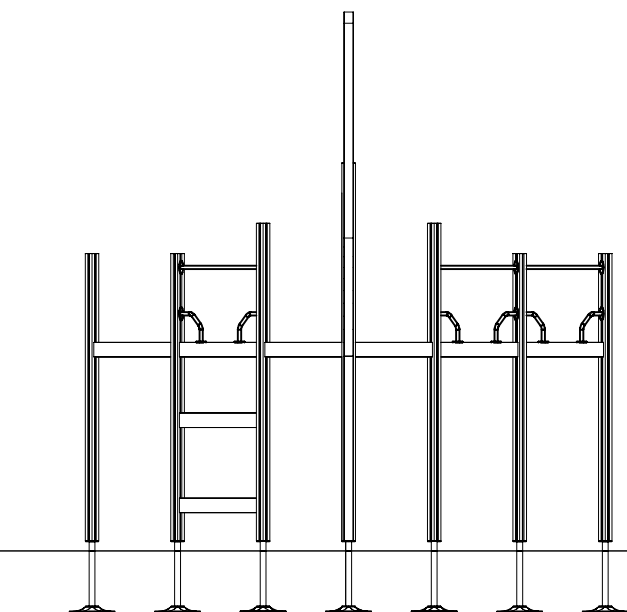
(A)



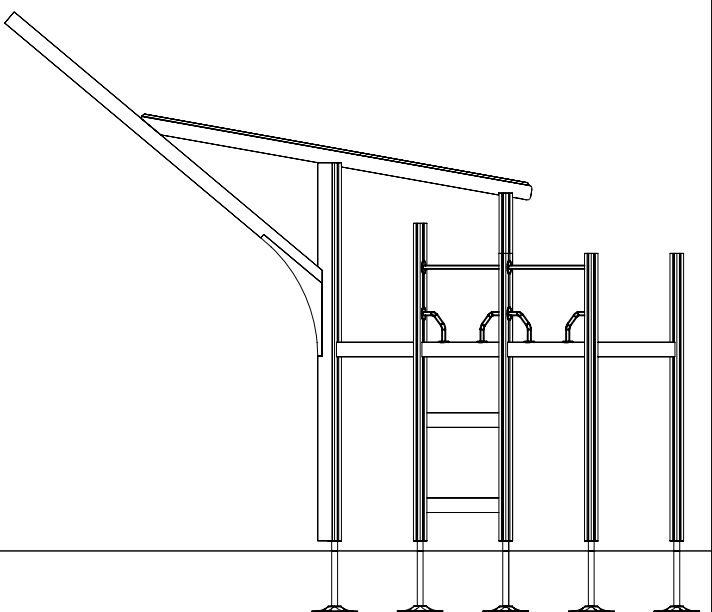
(B)

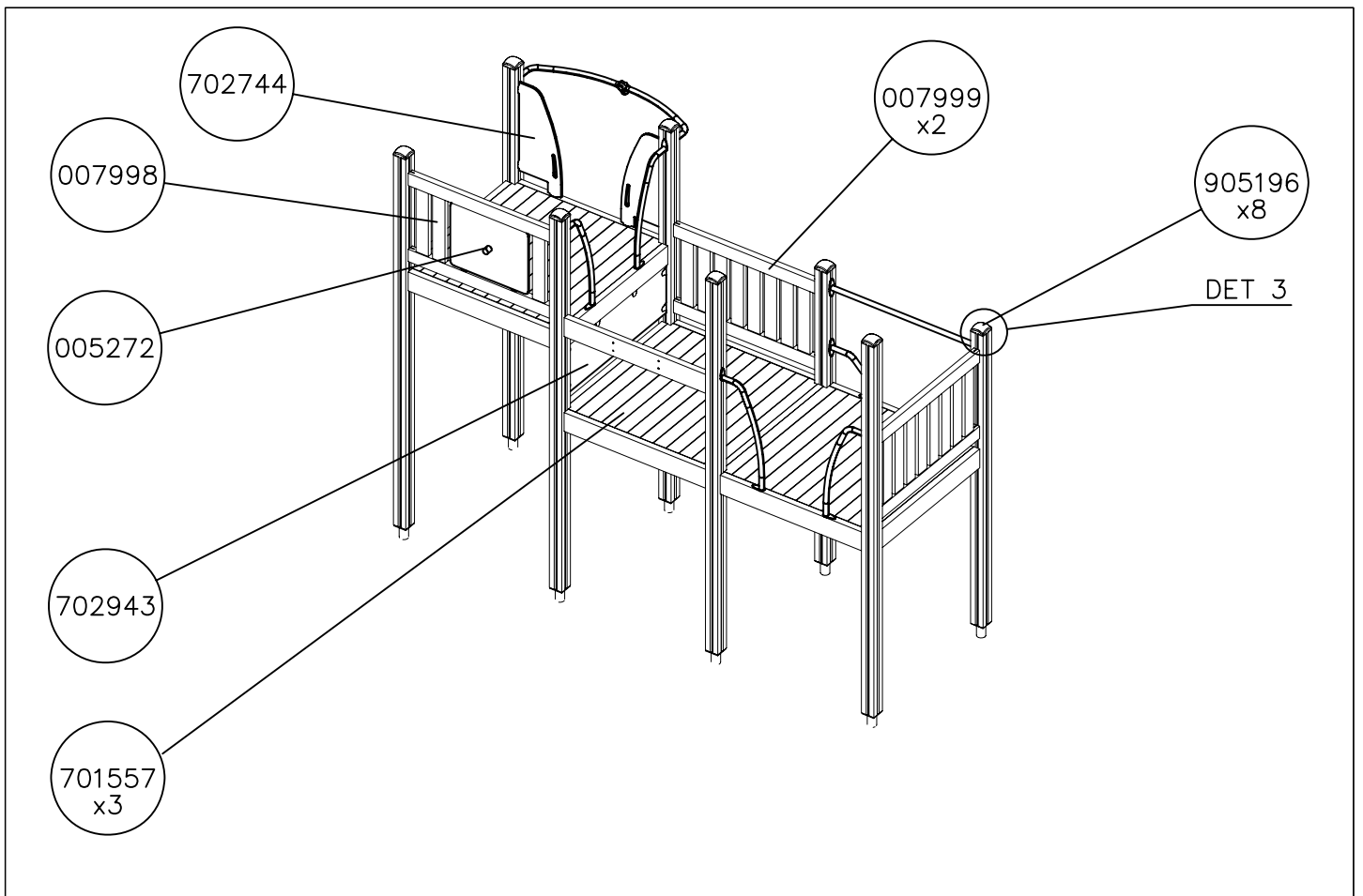
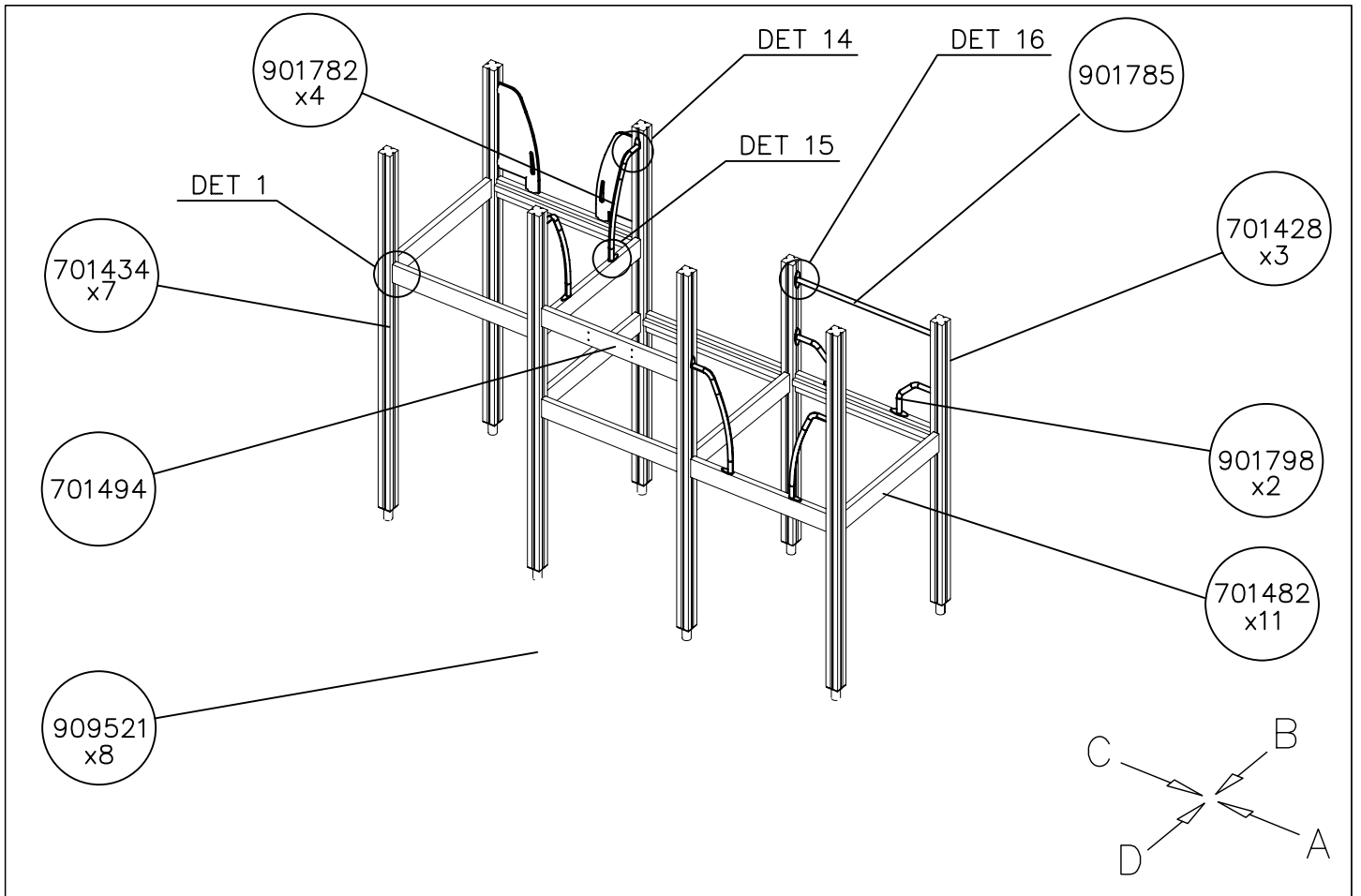


(C)



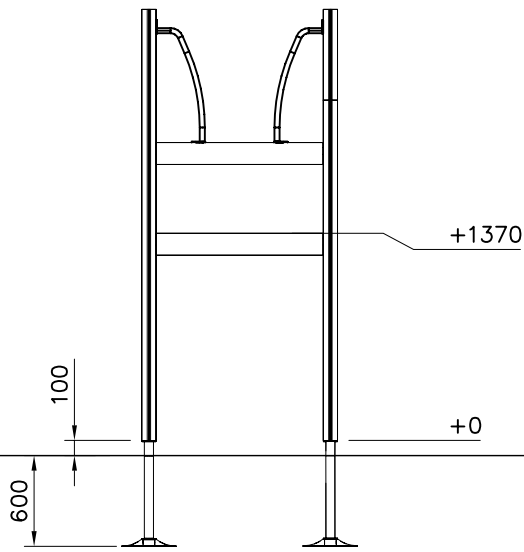
(D)



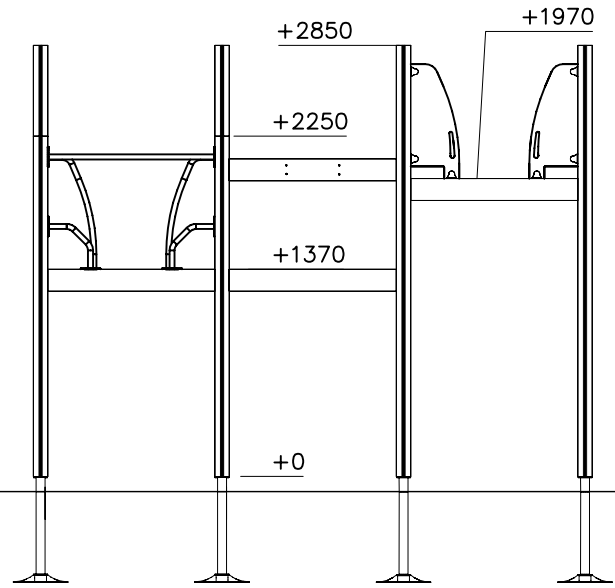


1:50

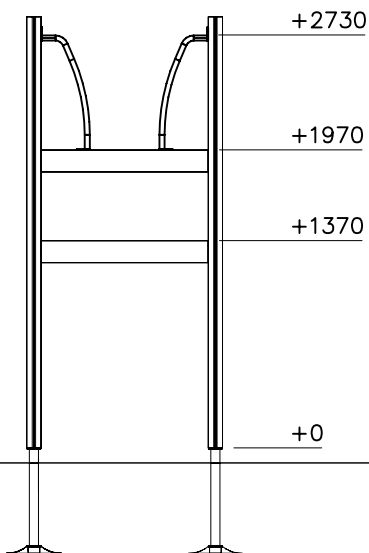
A



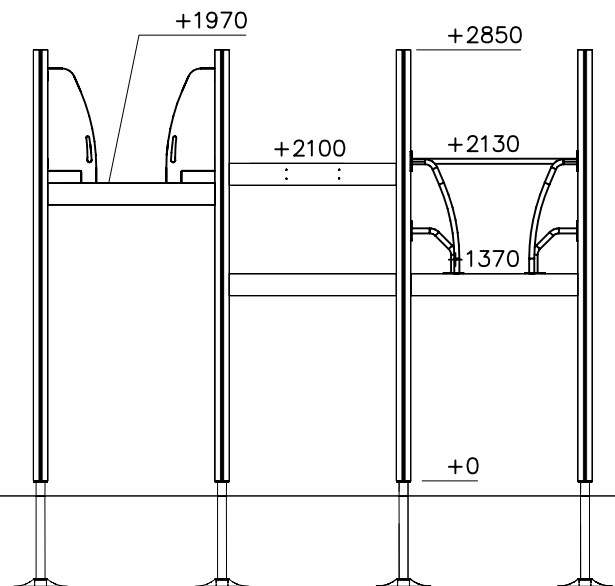
B

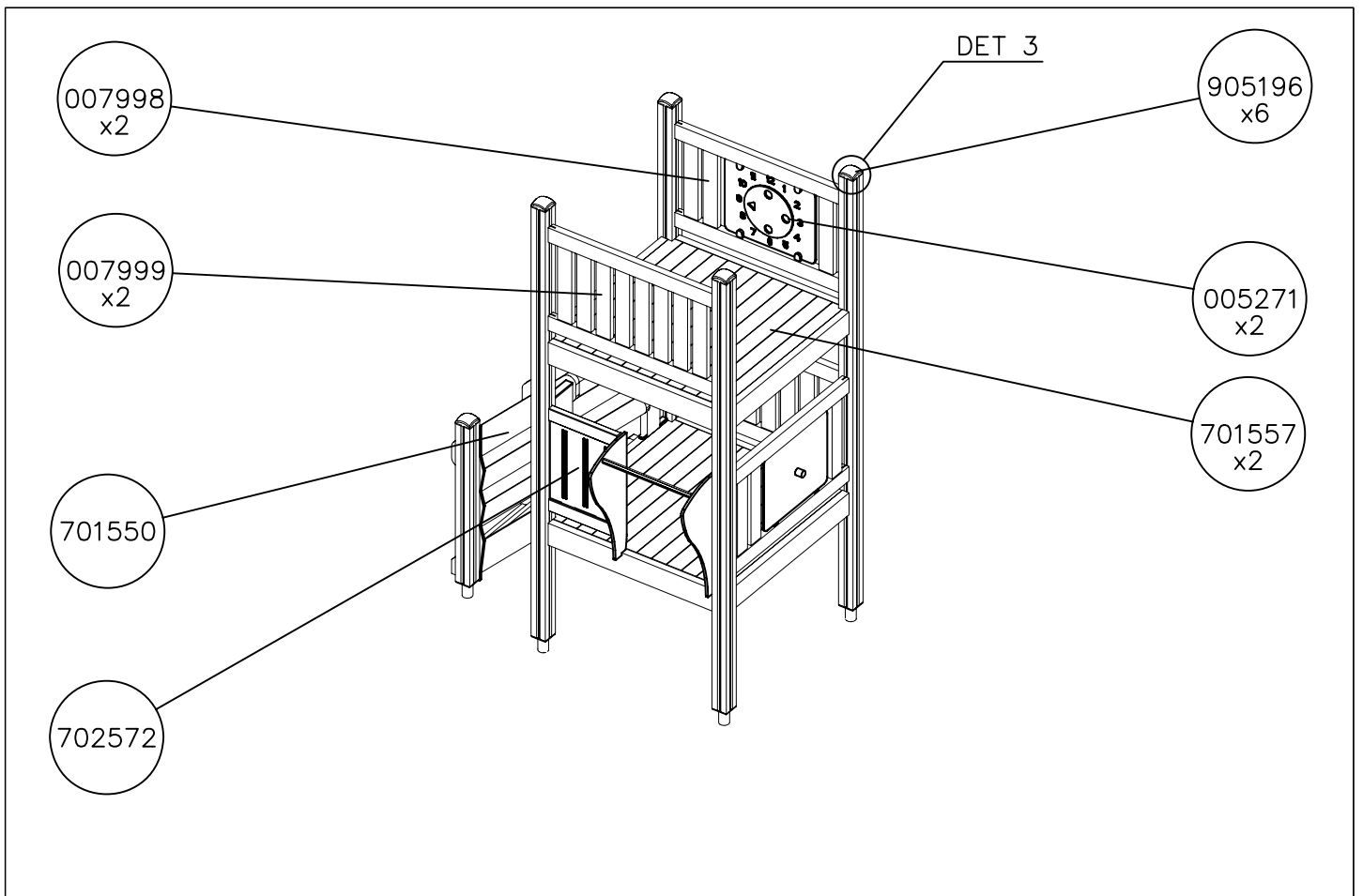
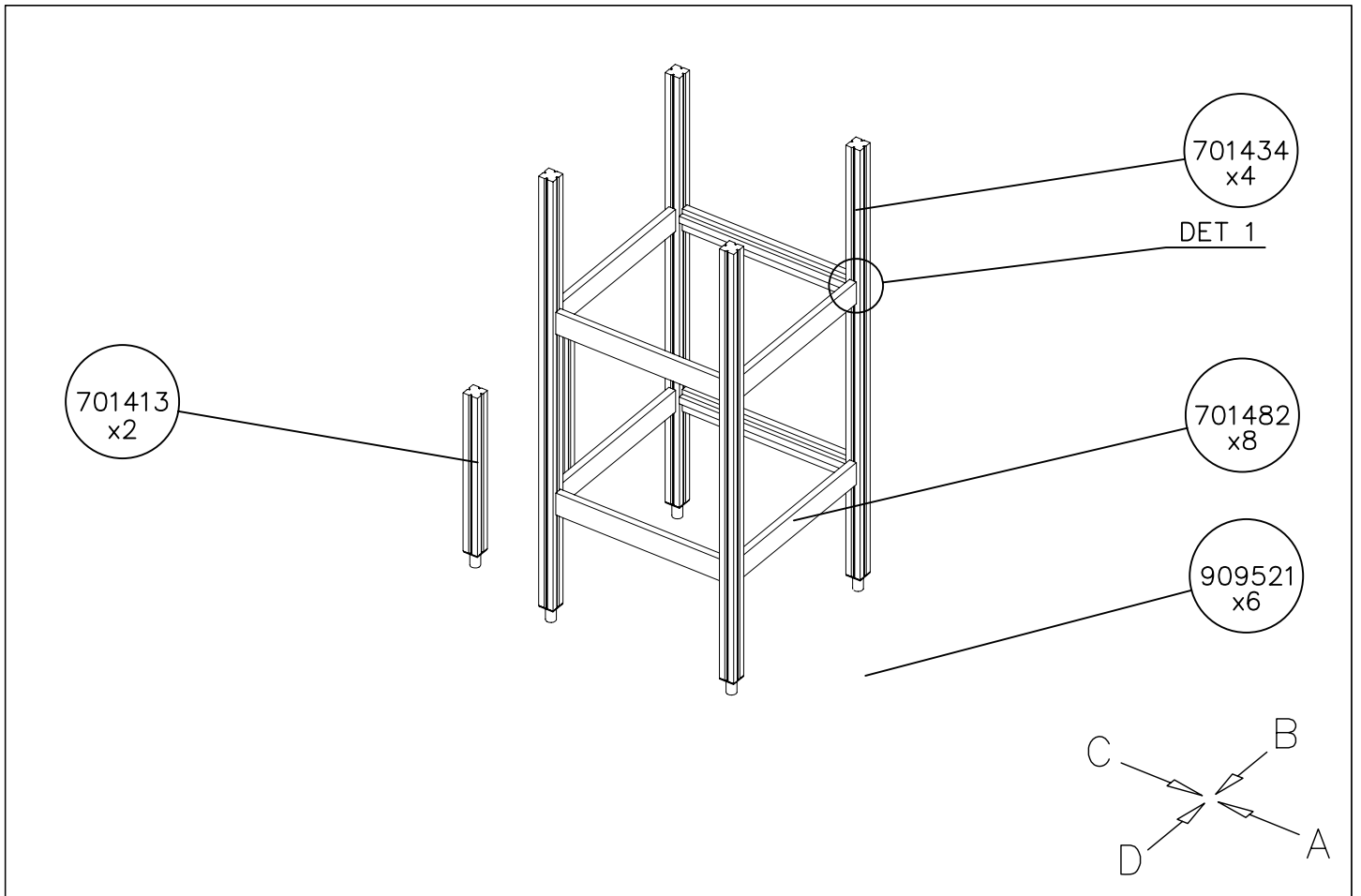


C



D

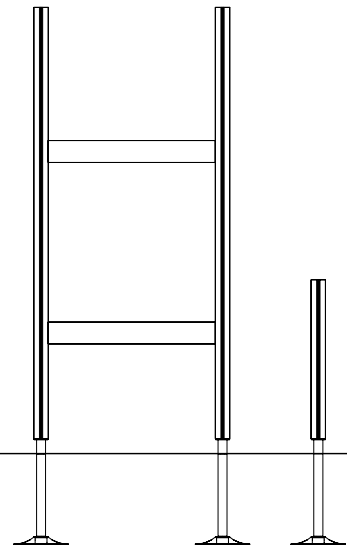
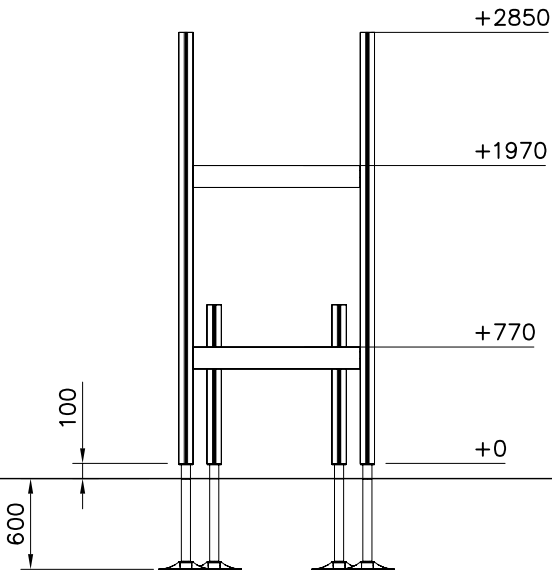




1:50

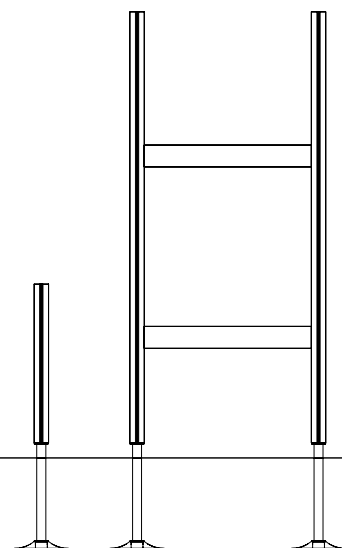
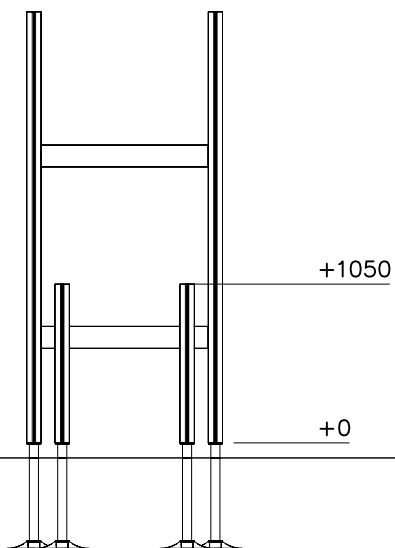
(A)

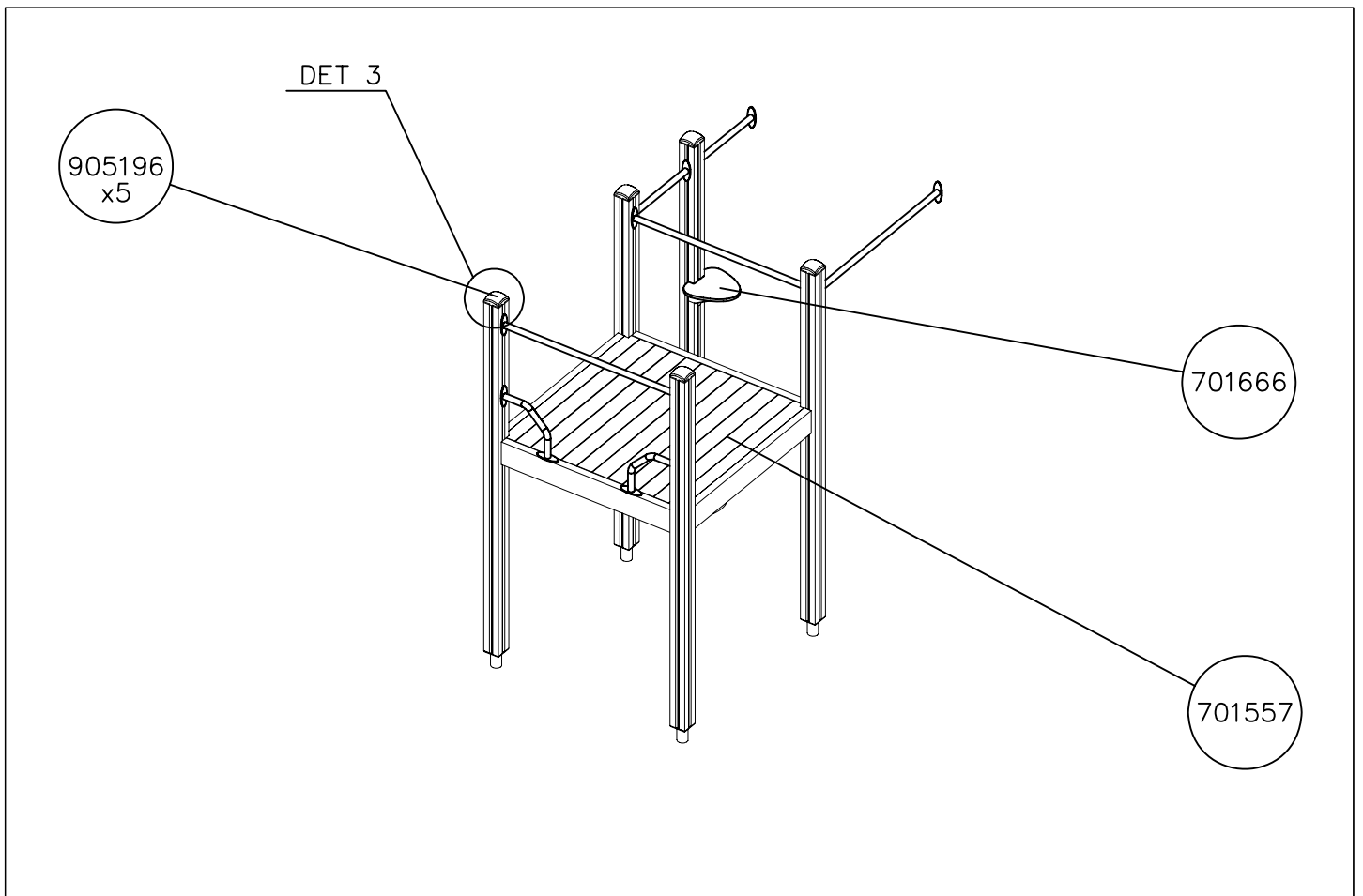
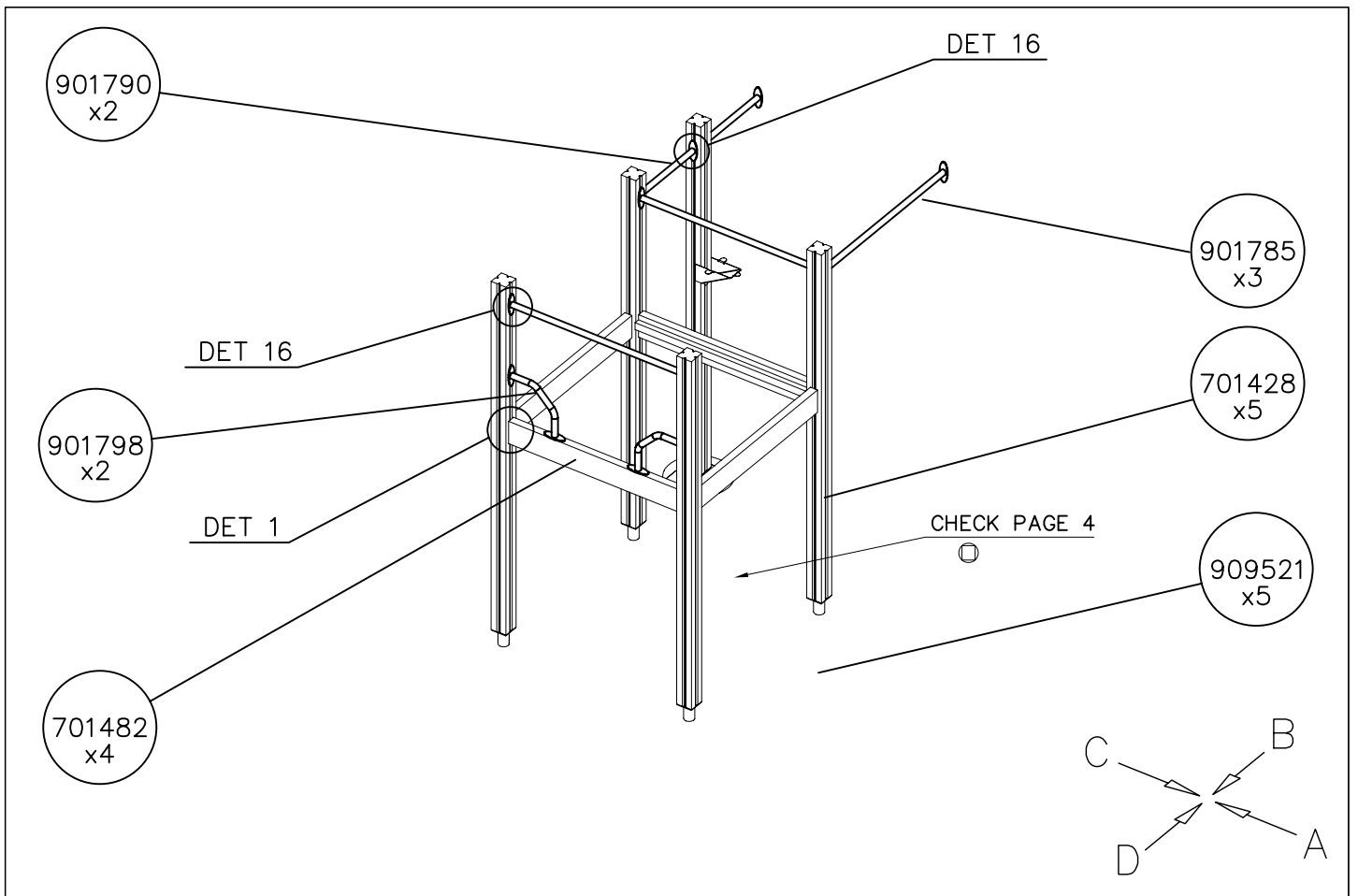
(B)



(C)

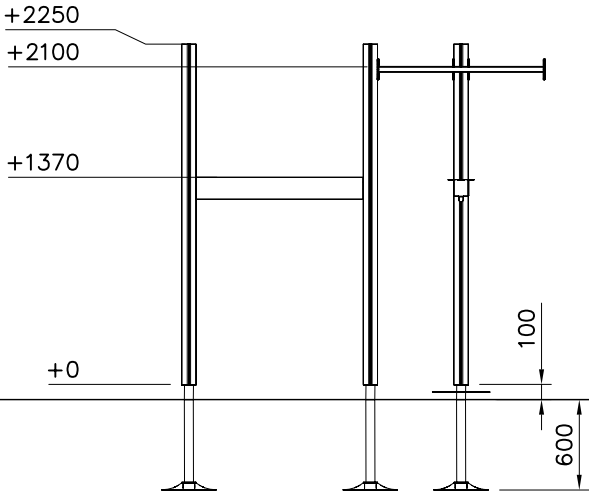
(D)



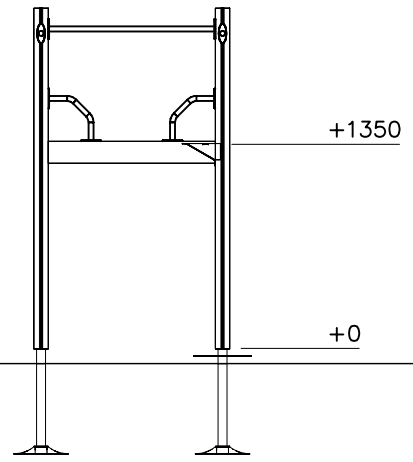


1:50

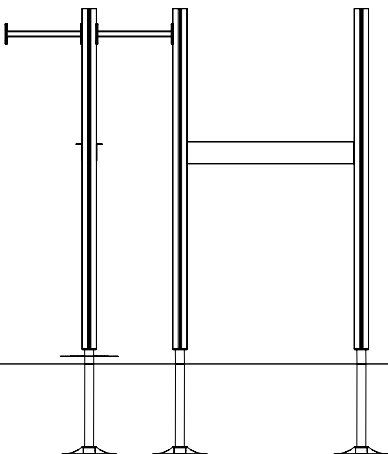
(A)



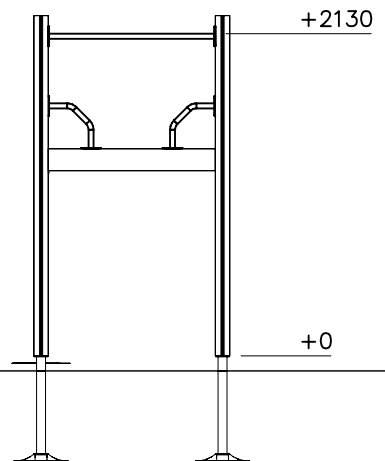
(B)

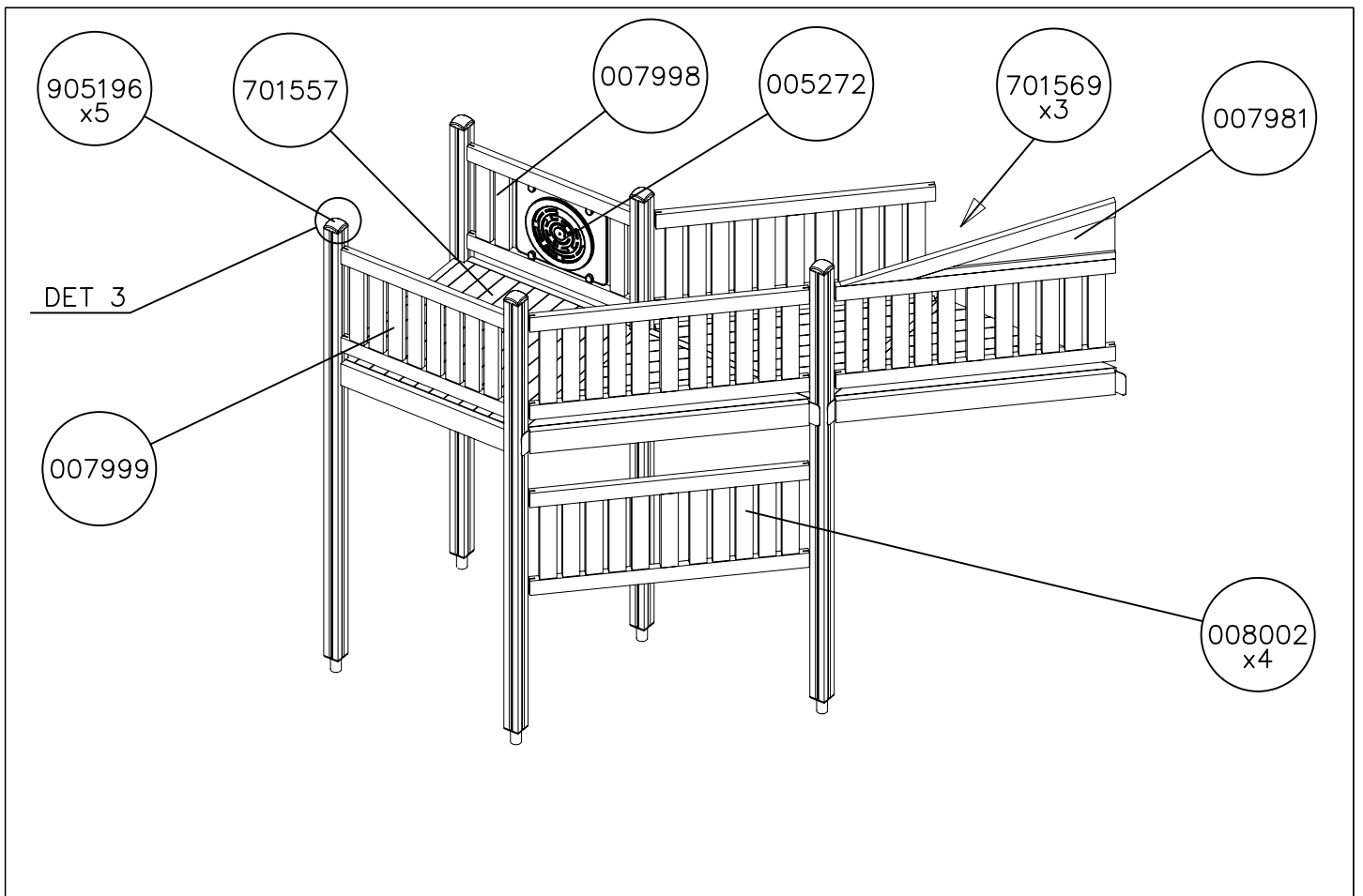
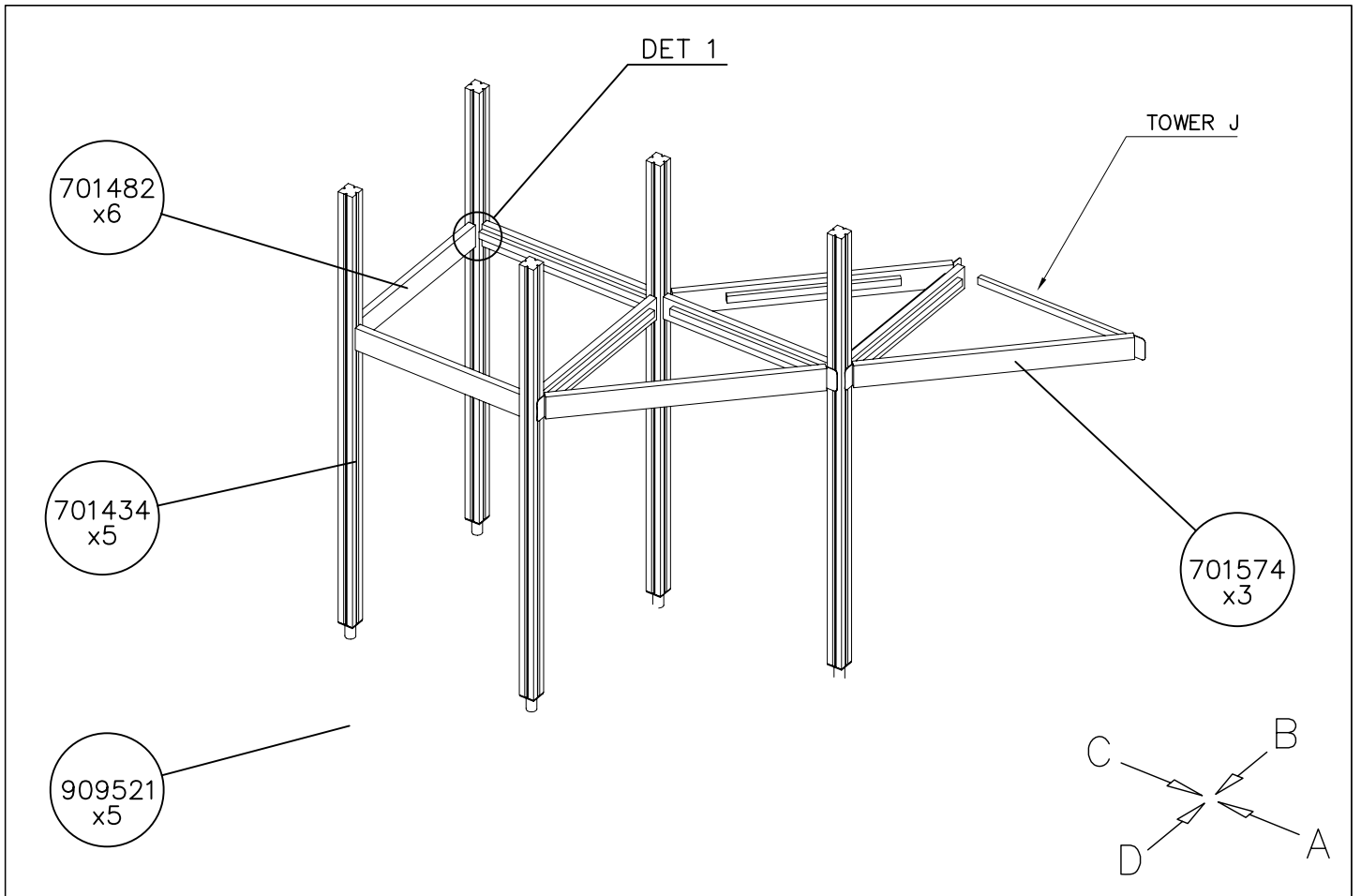


(C)



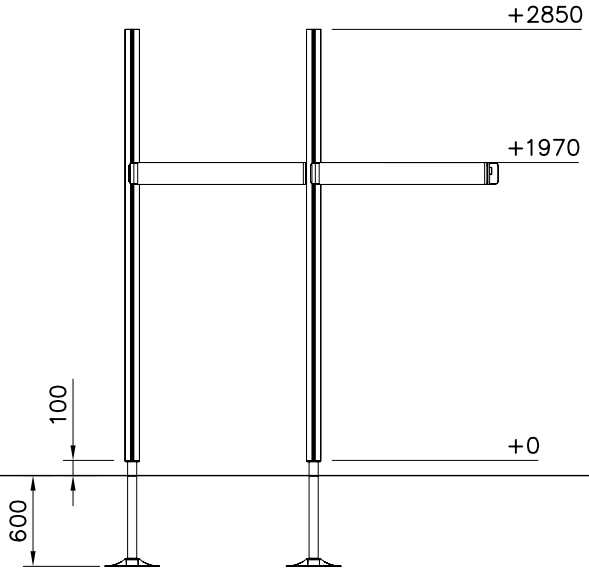
(D)



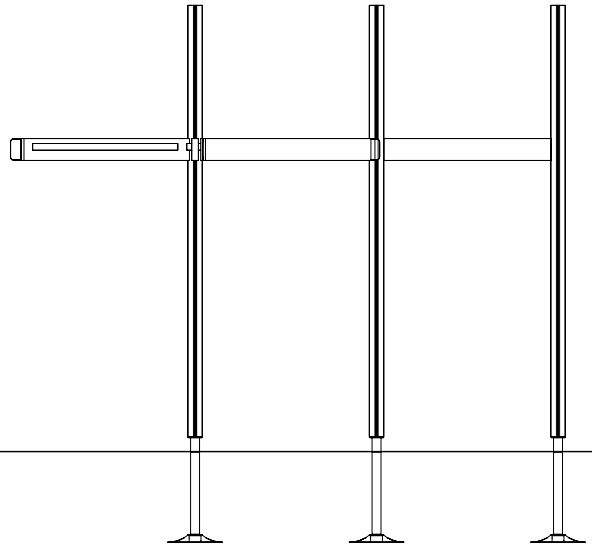


1:50

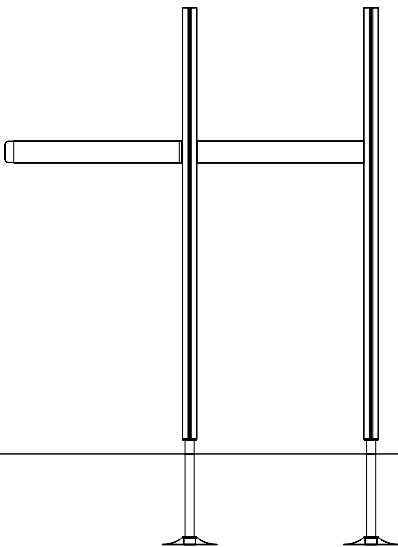
(A)



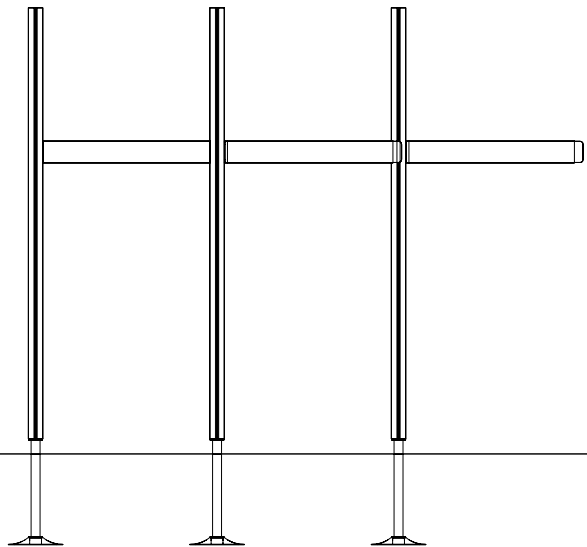
(B)

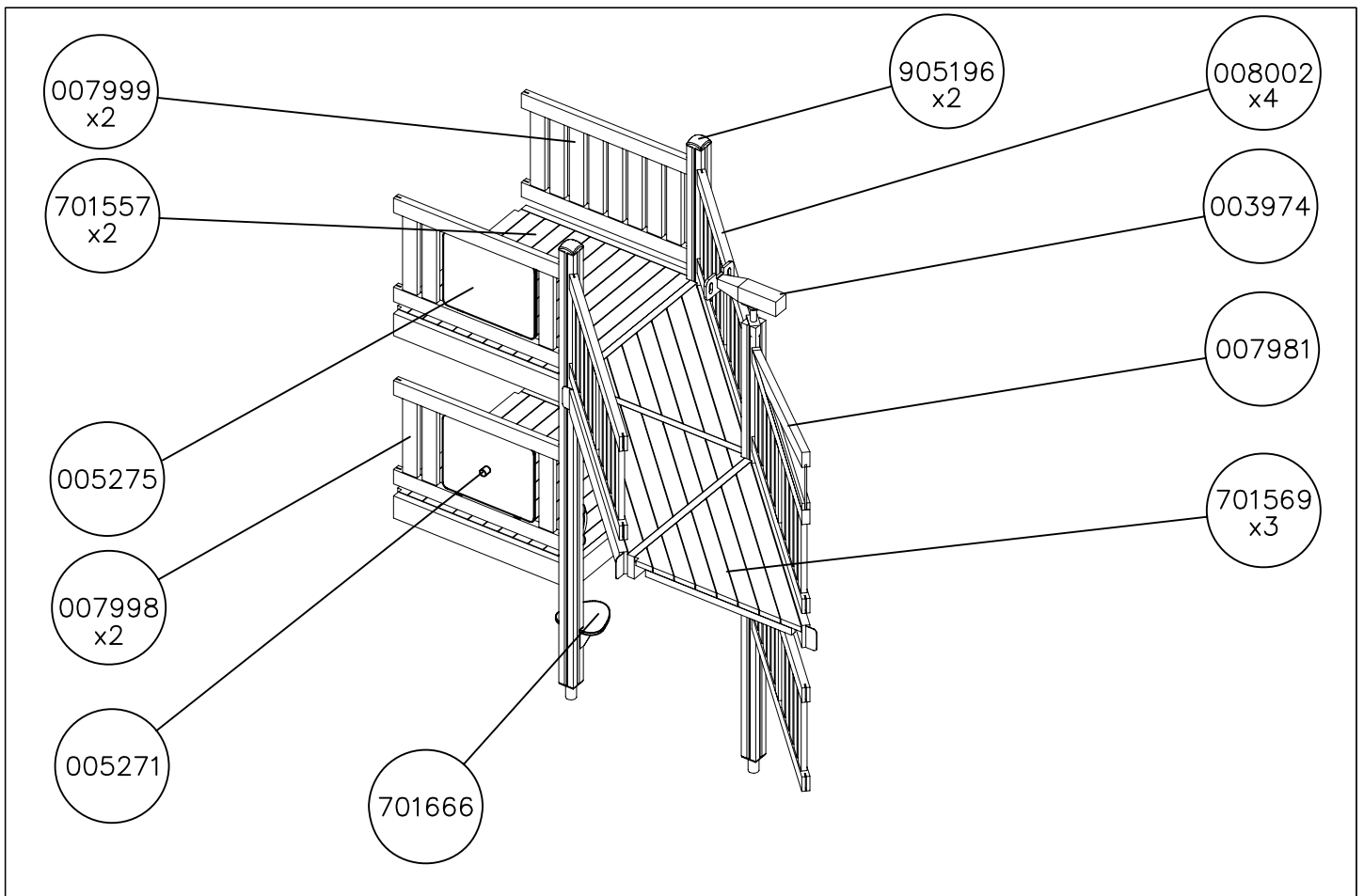
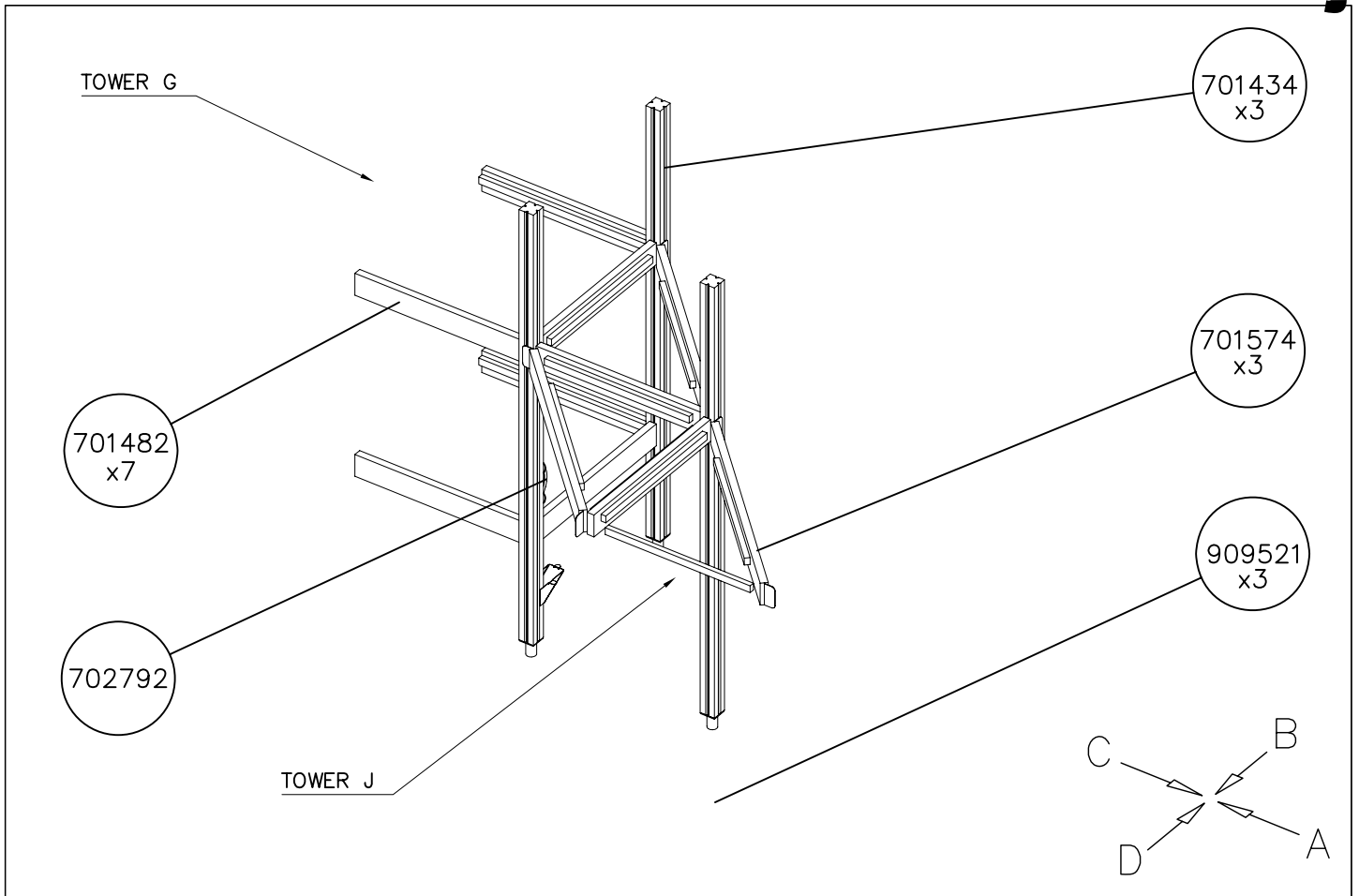


(C)



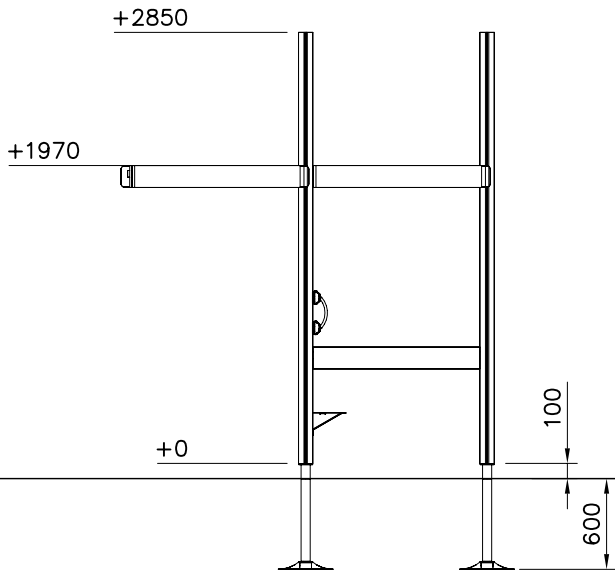
(D)



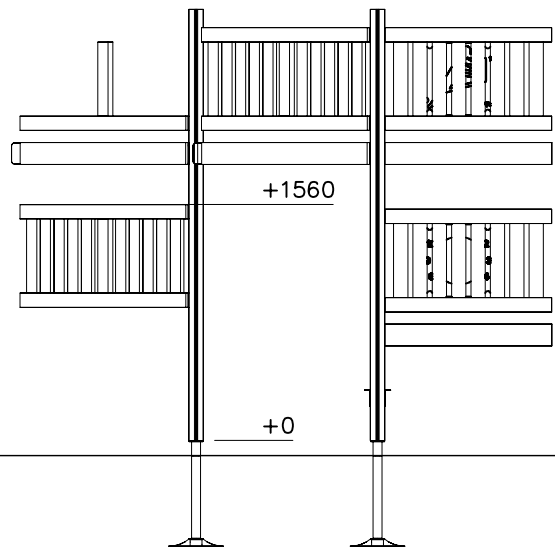


1:50

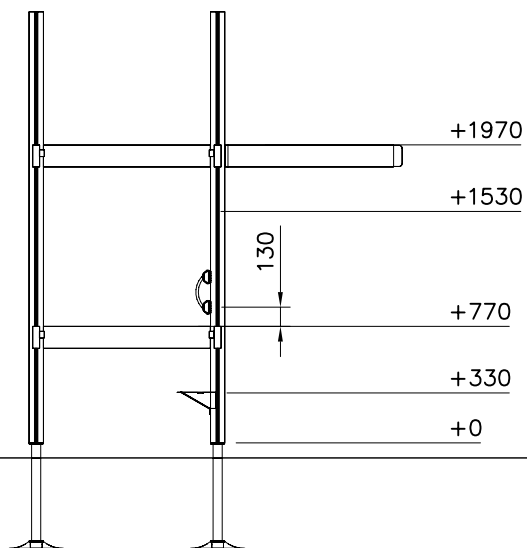
(A)



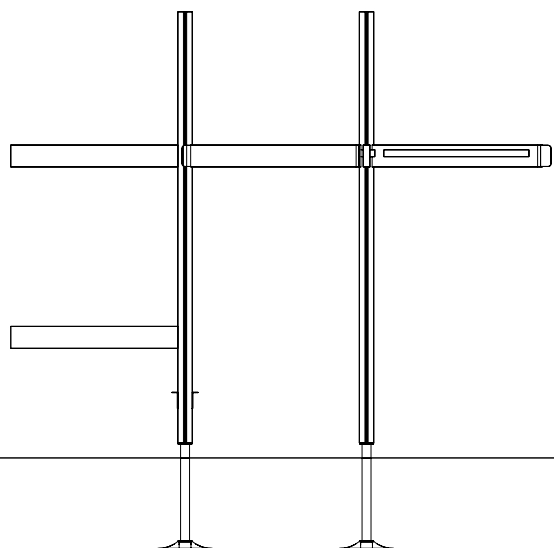
(B)

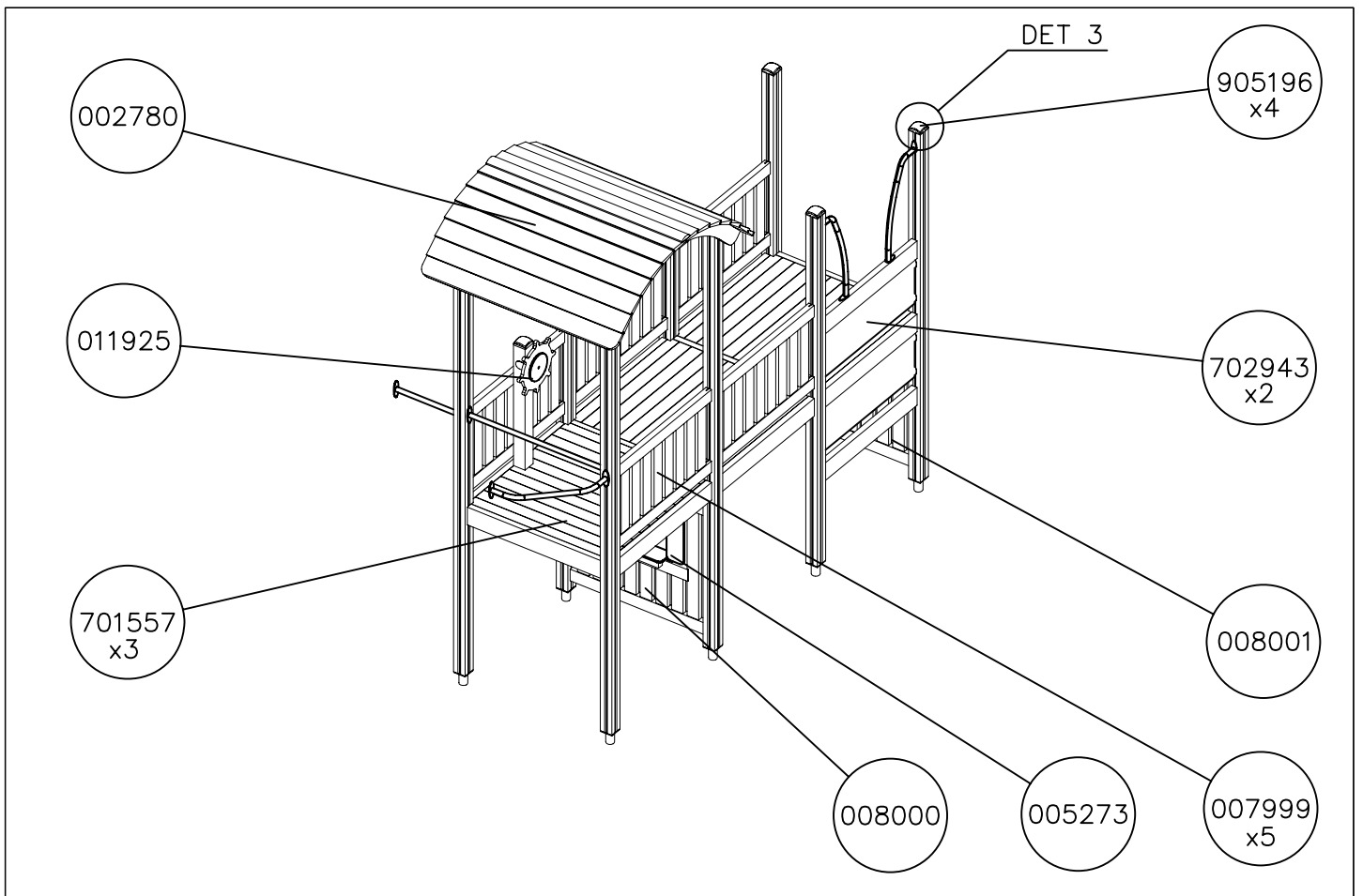
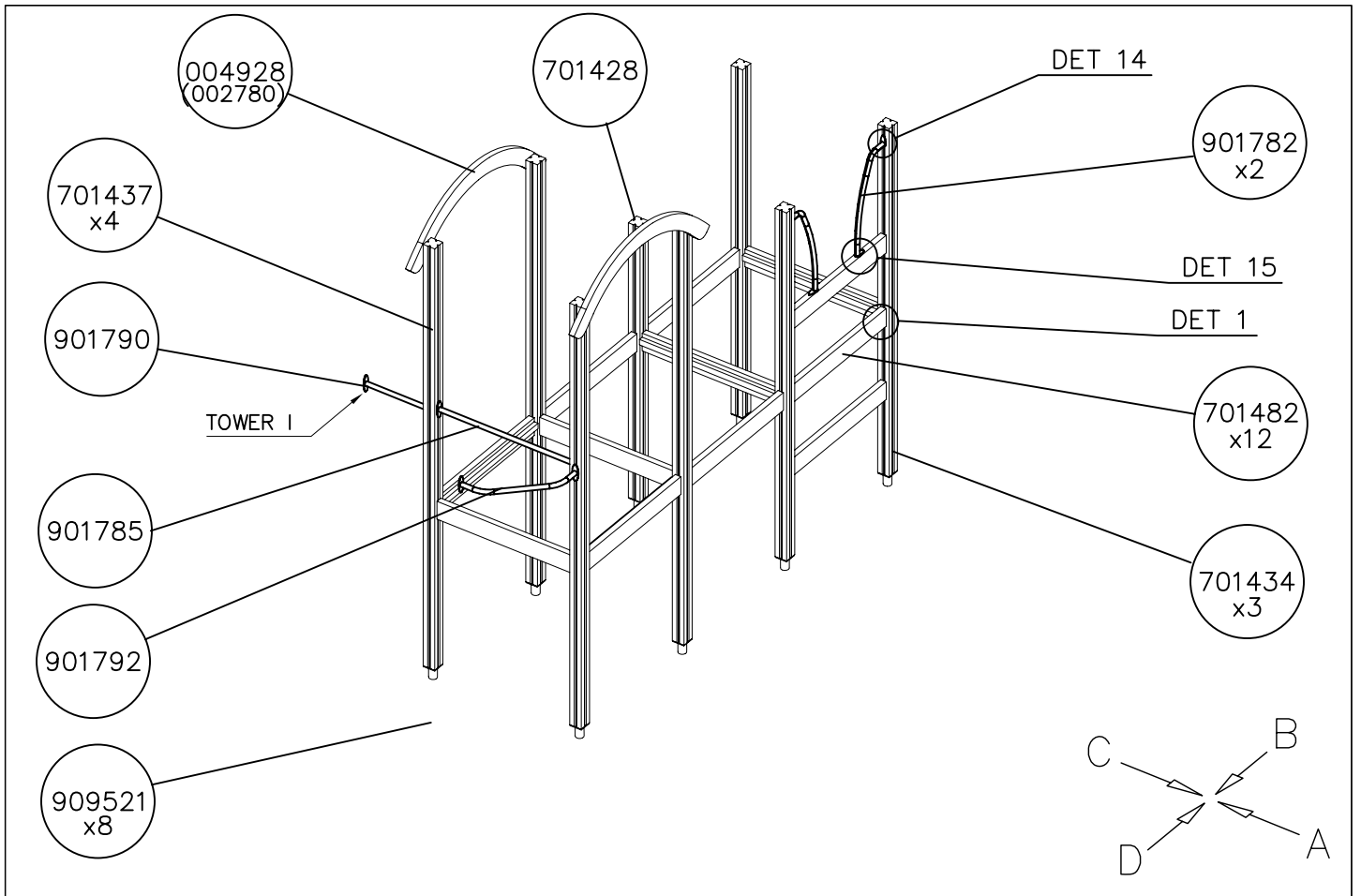


(C)

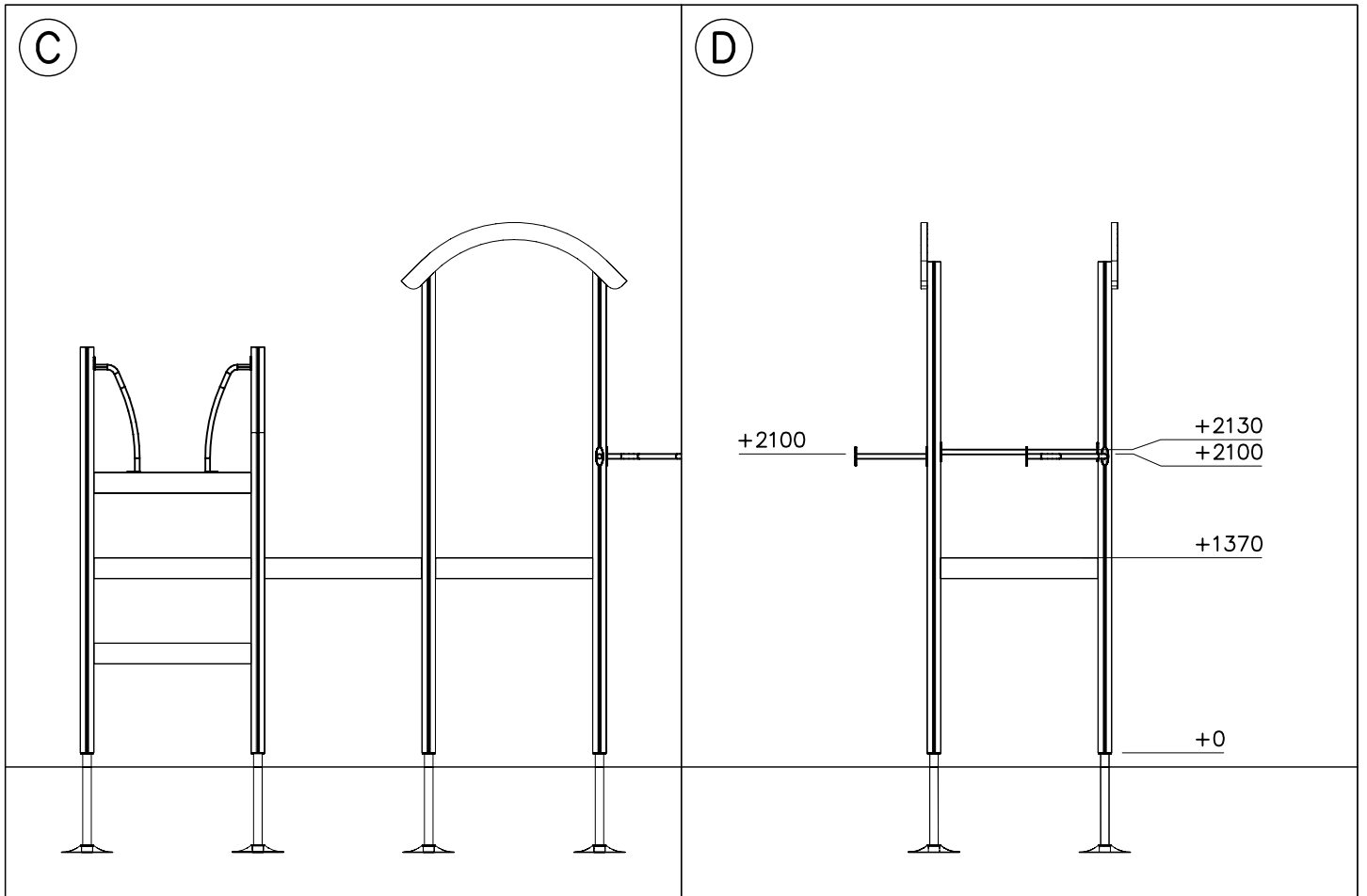
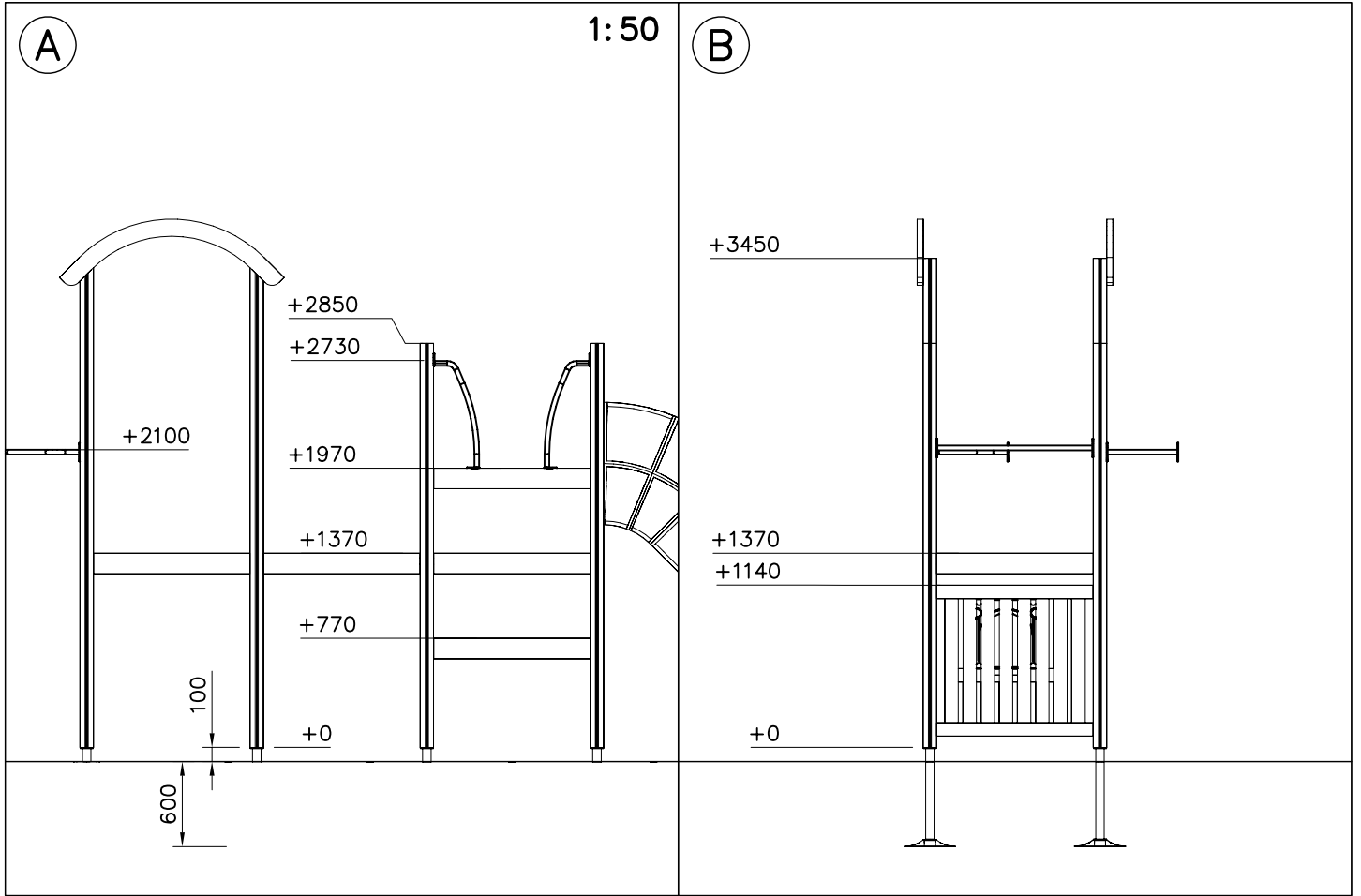


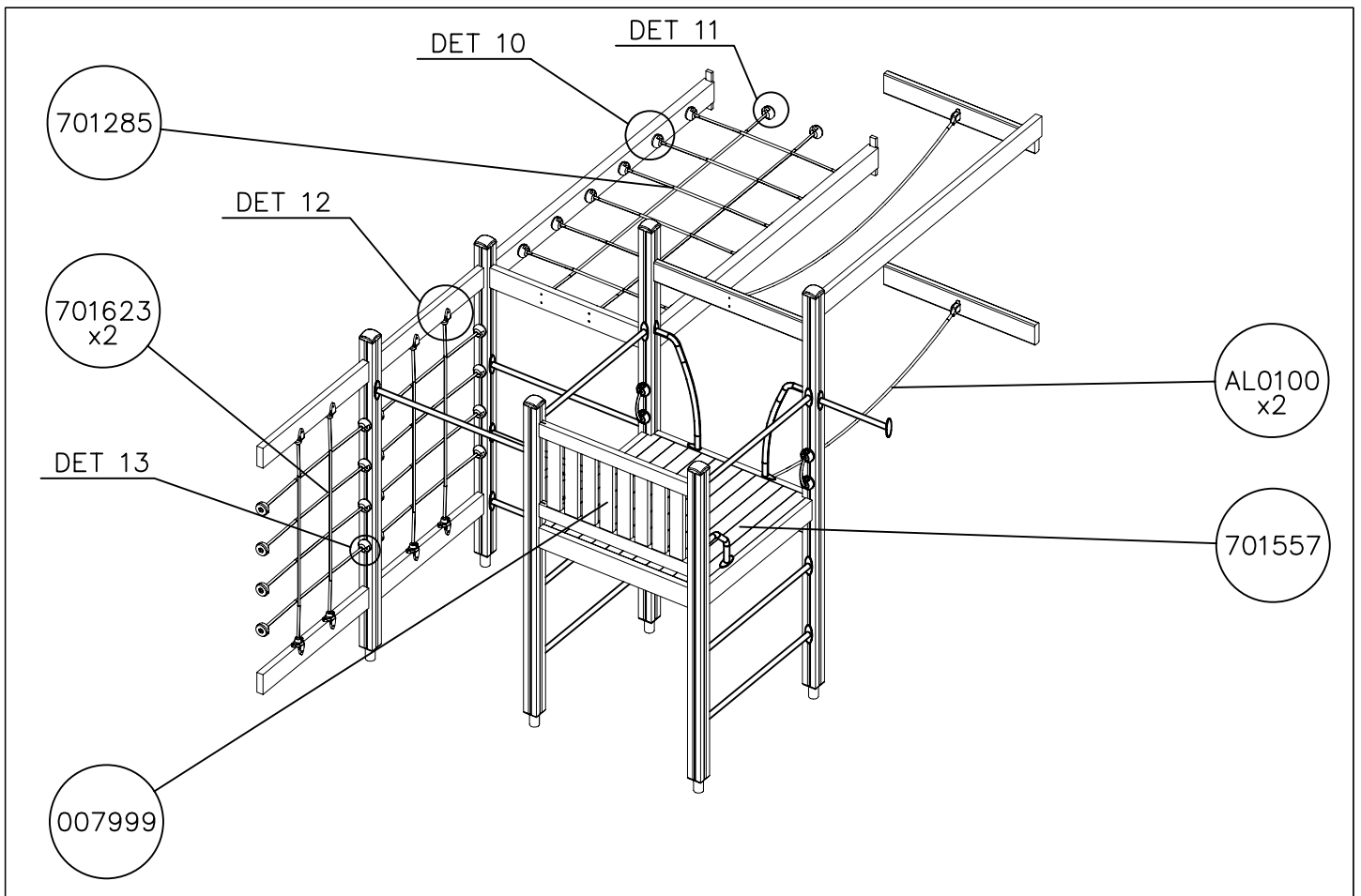
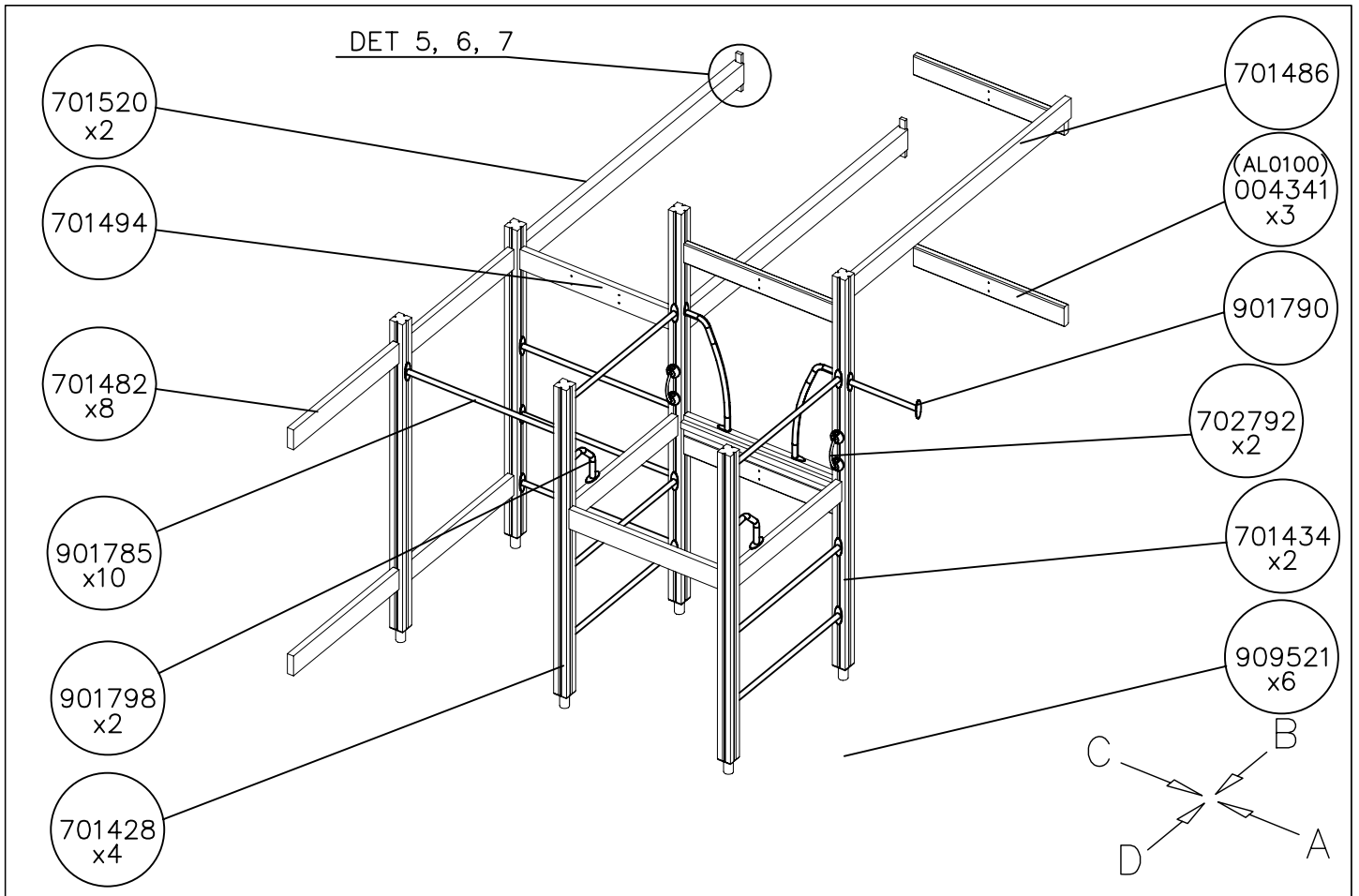
(D)

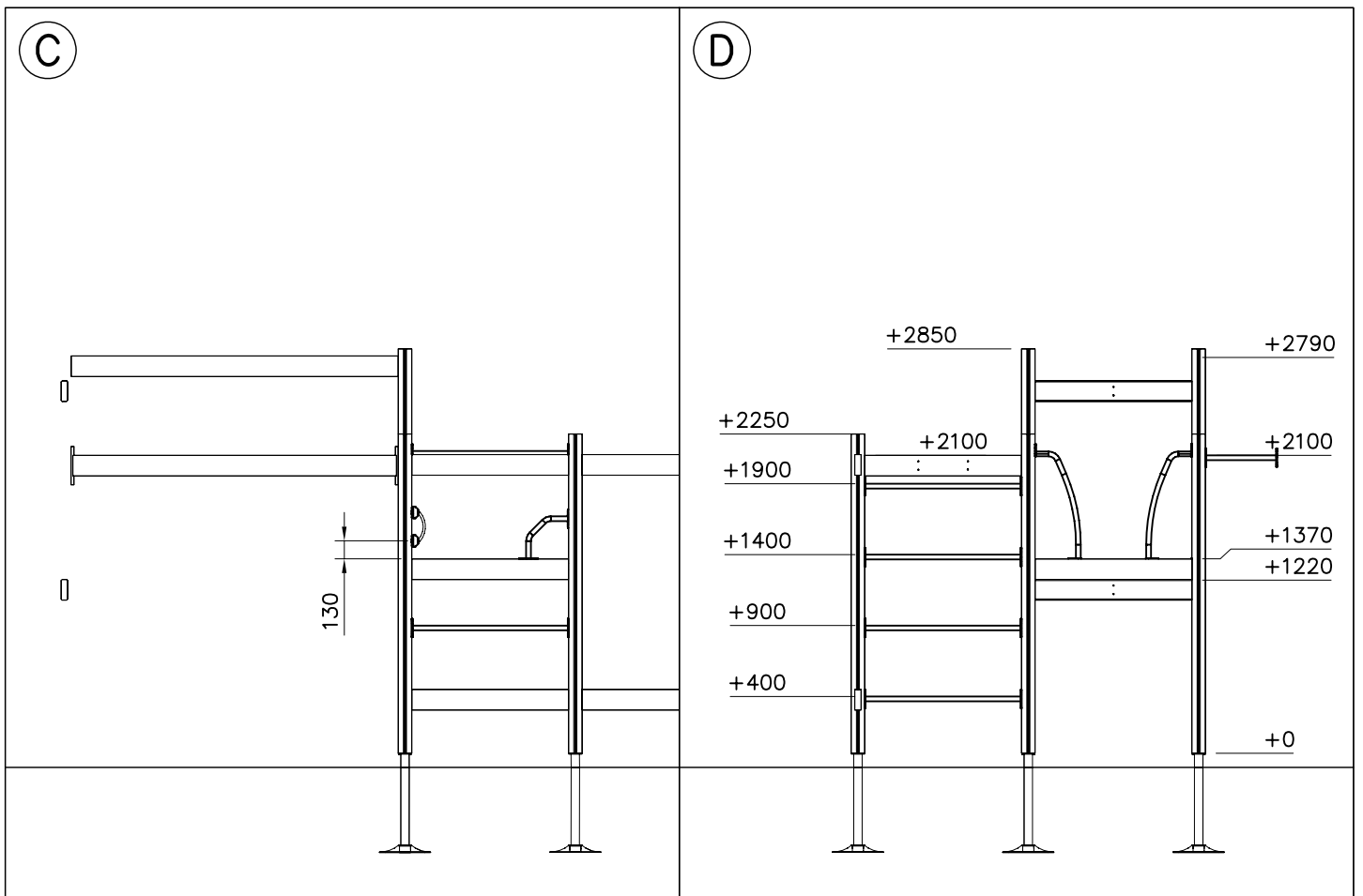
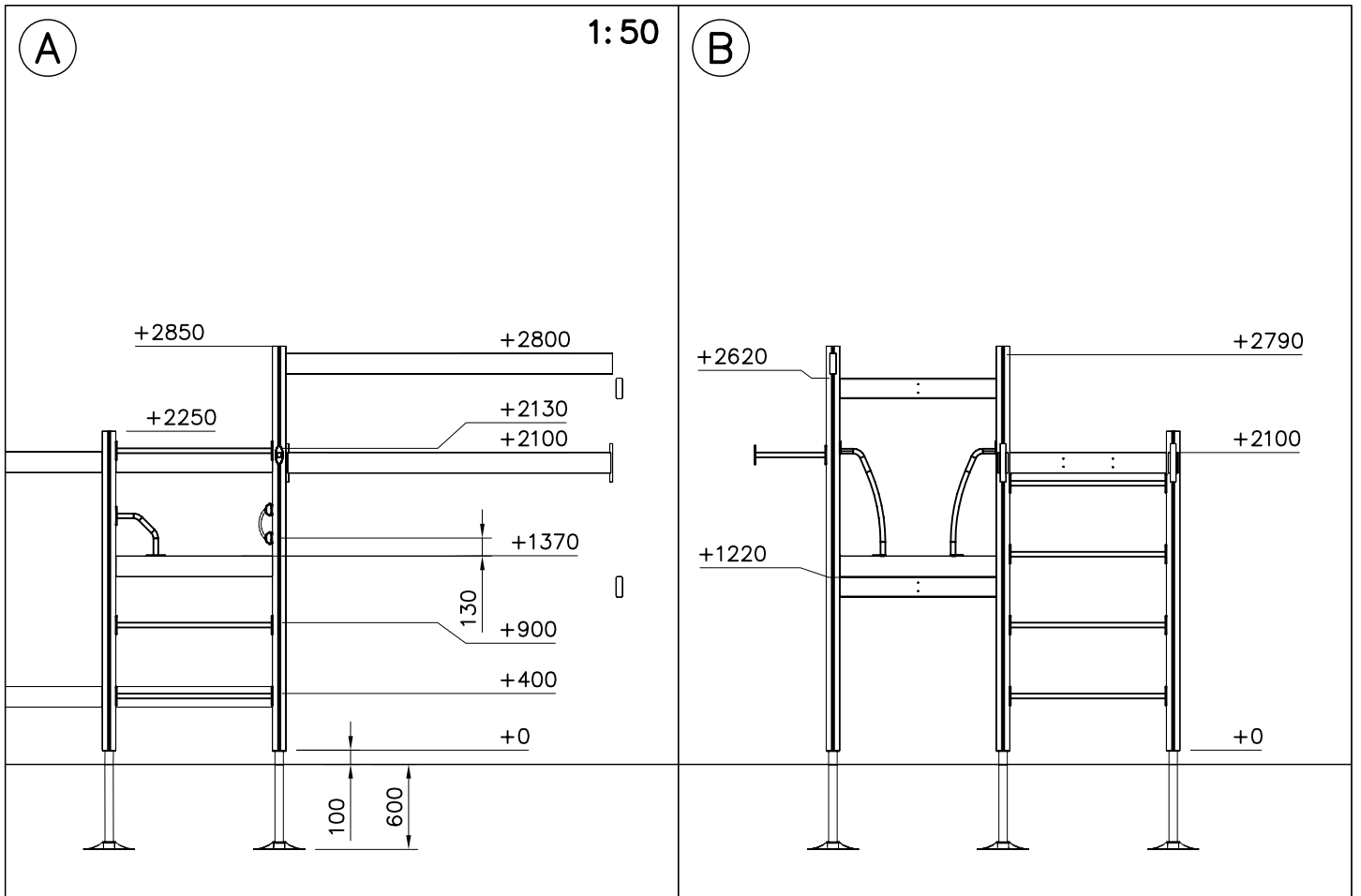


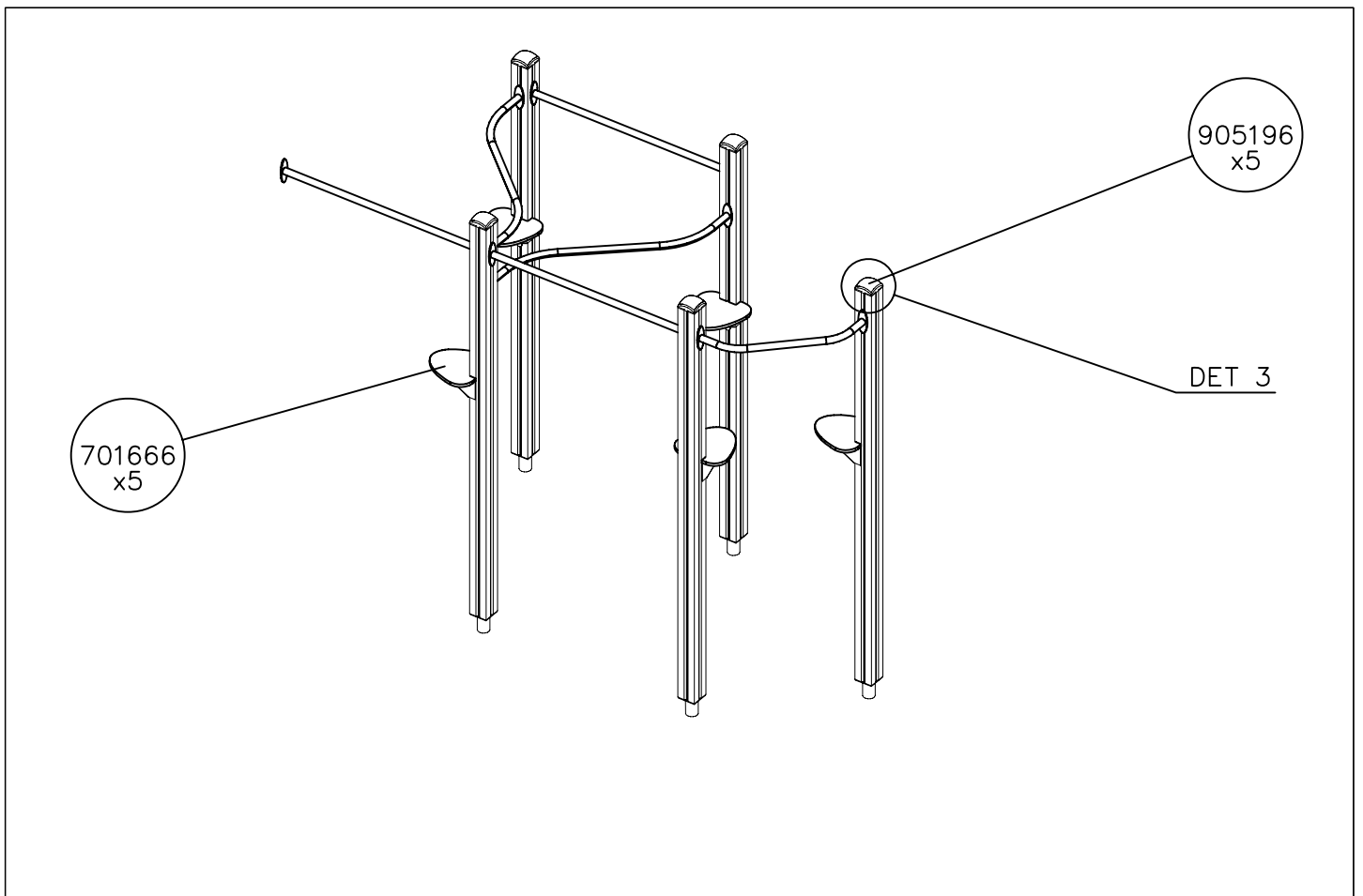
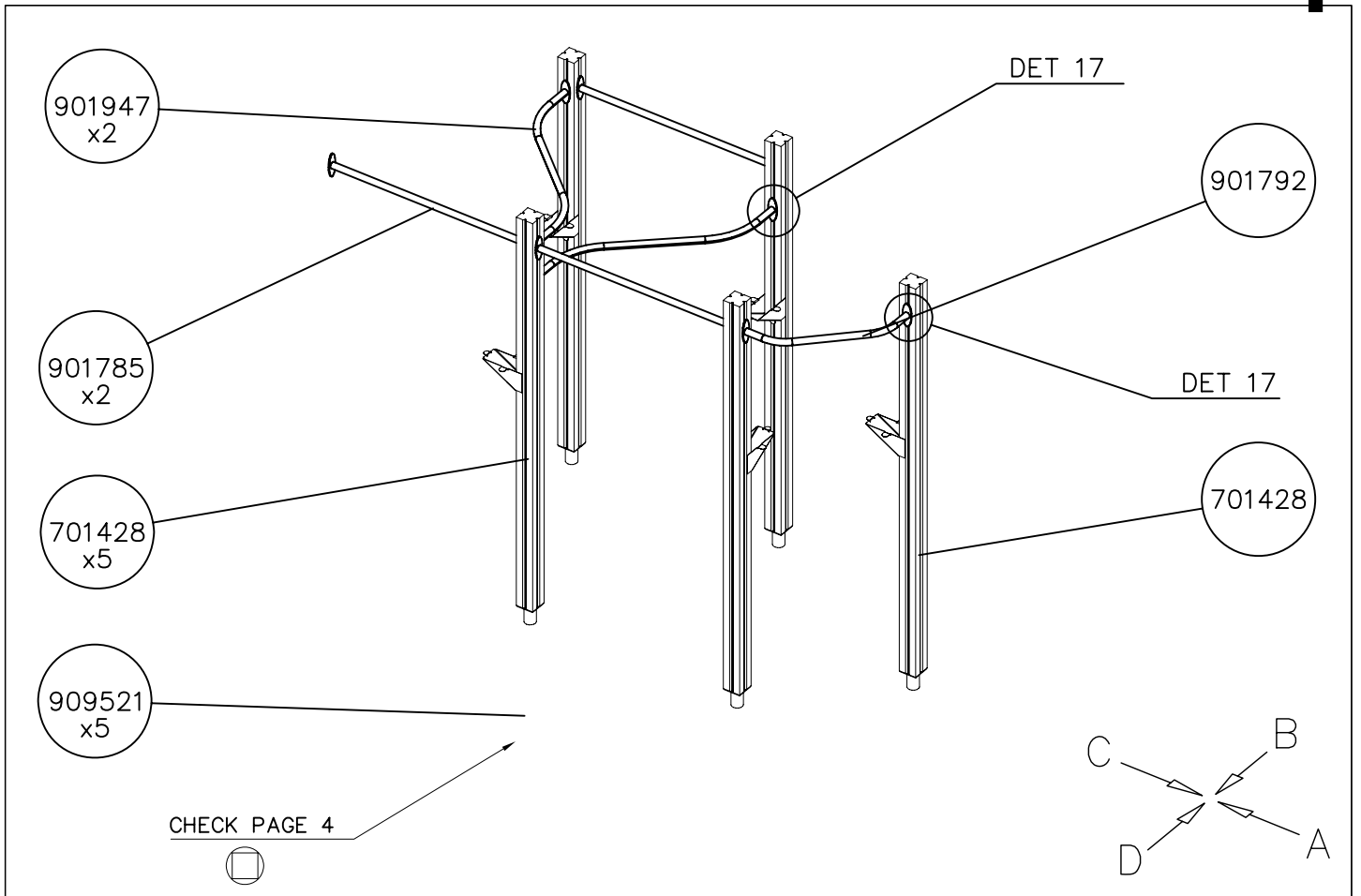


1:50



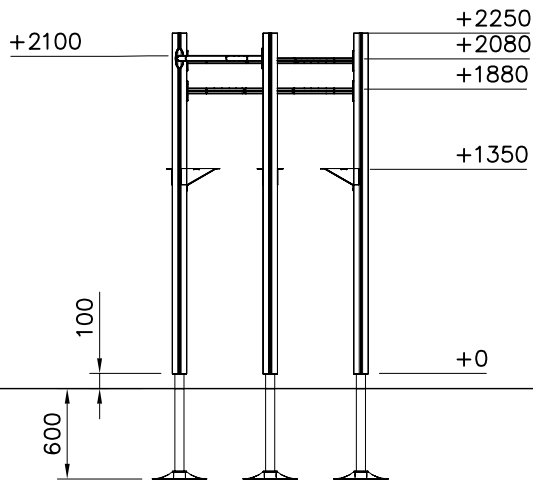




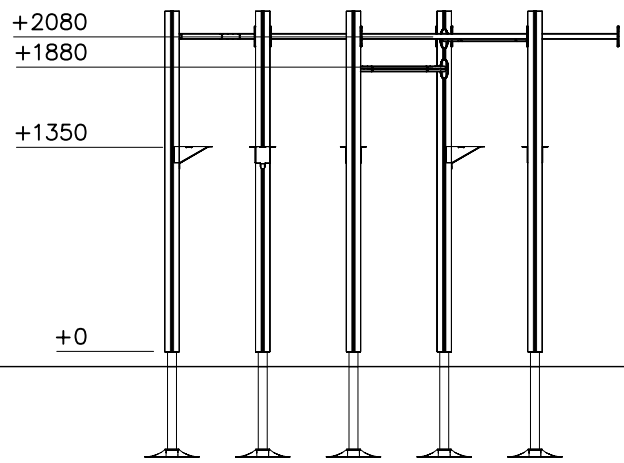


1:50

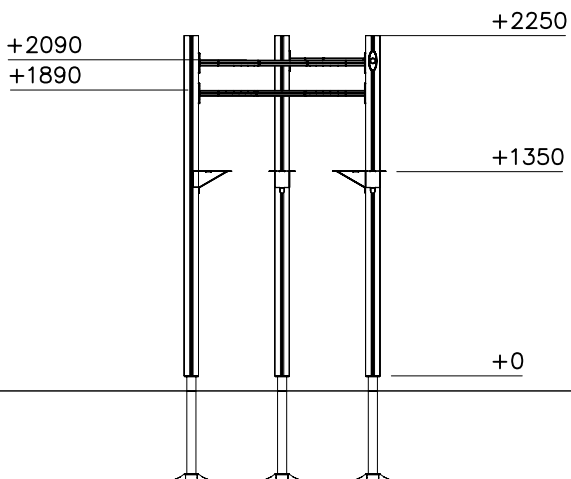
(A)



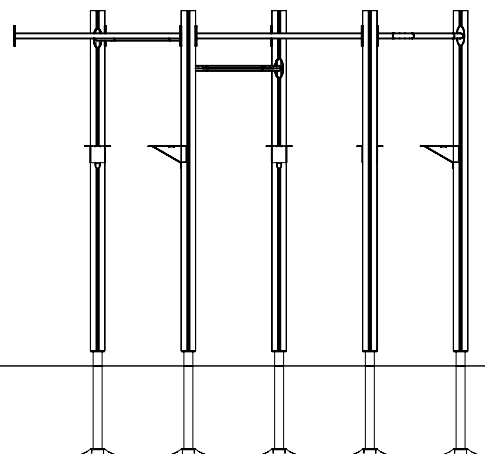
(B)

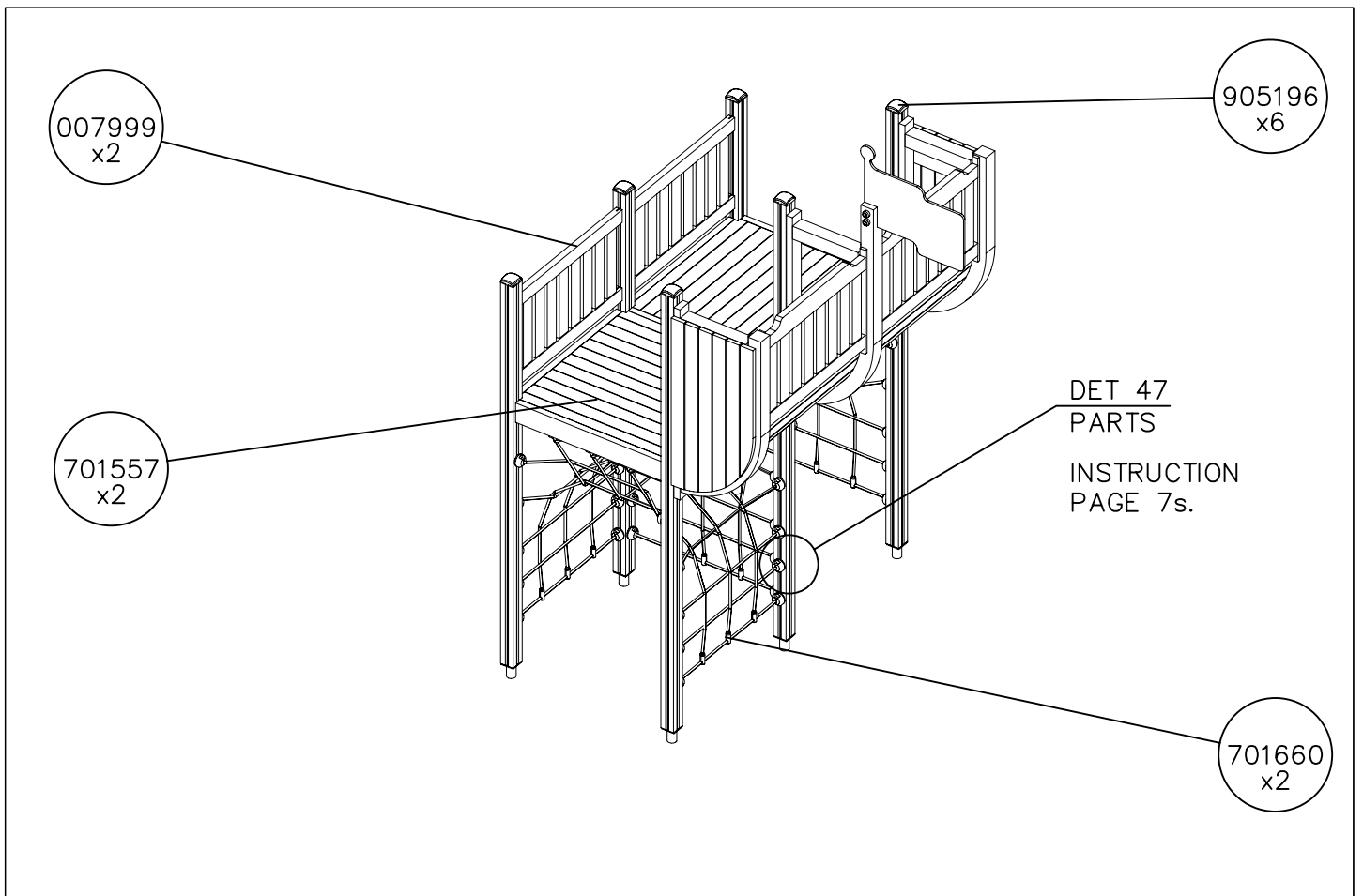
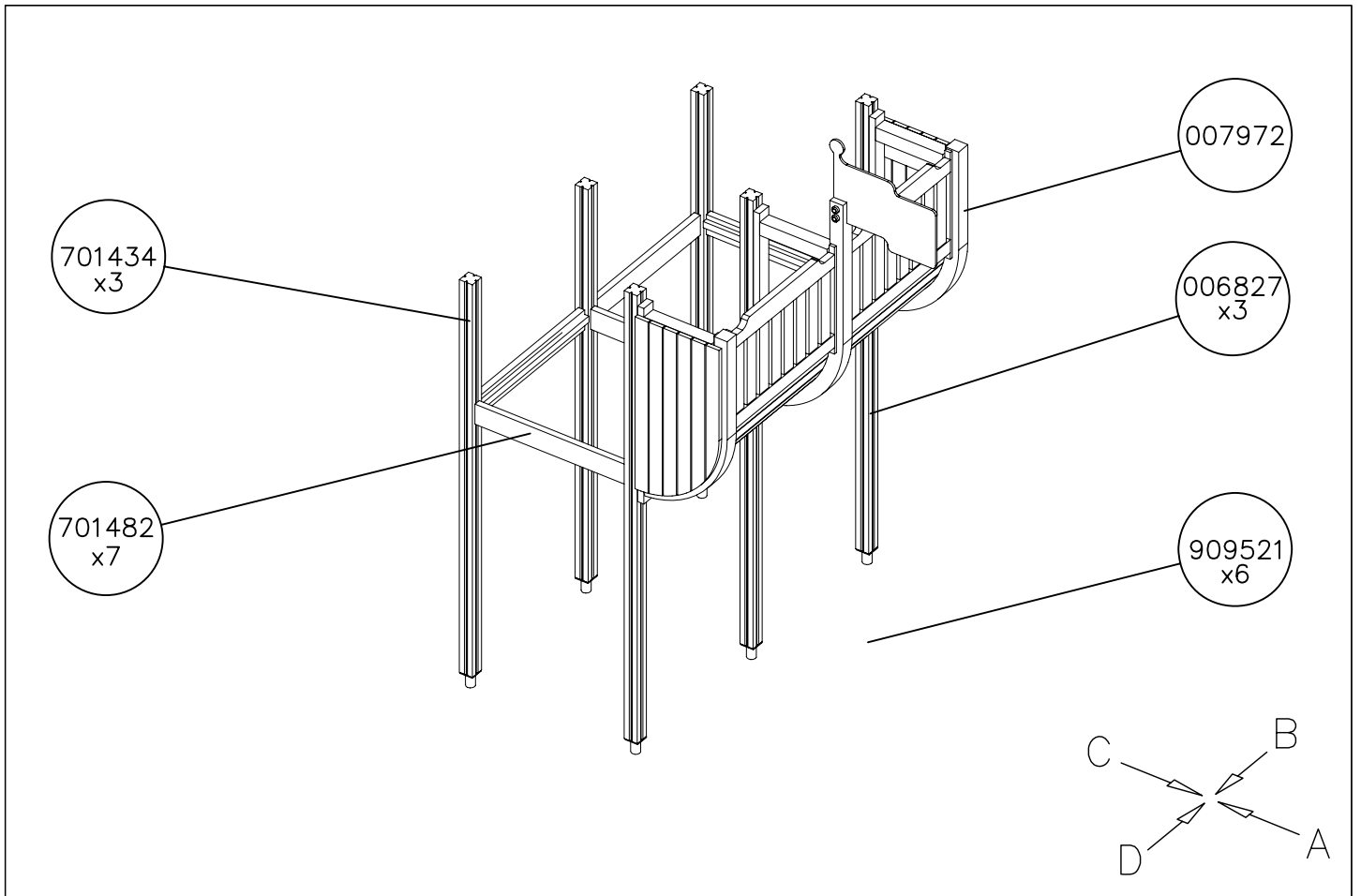


(C)



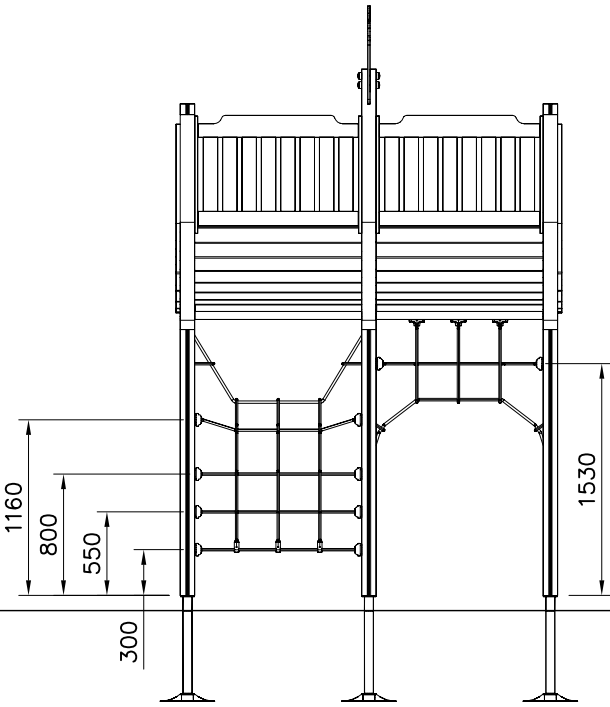
(D)



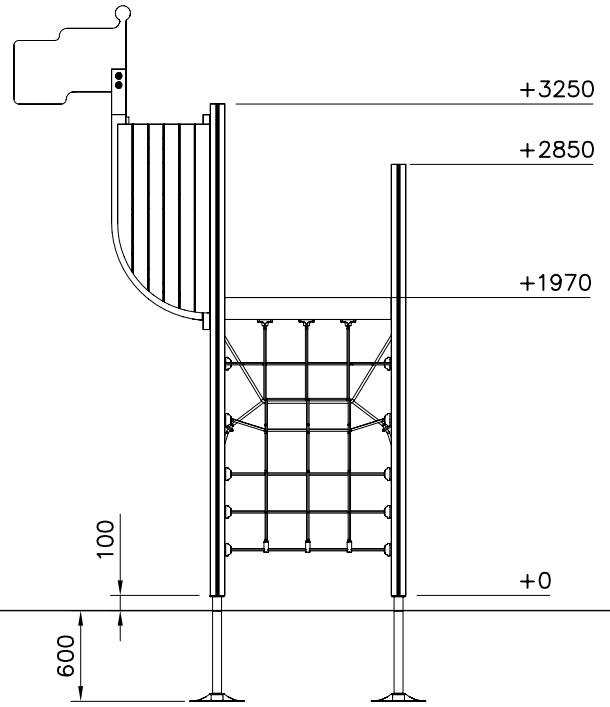


1:50

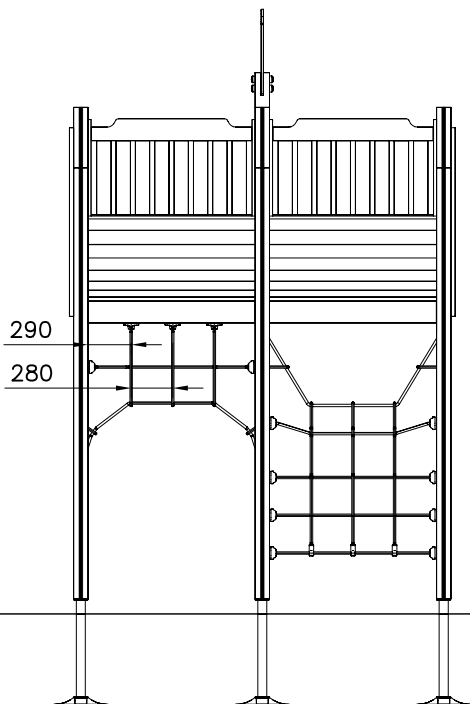
(A)



(B)



(C)



(D)

