

LAPPSET®

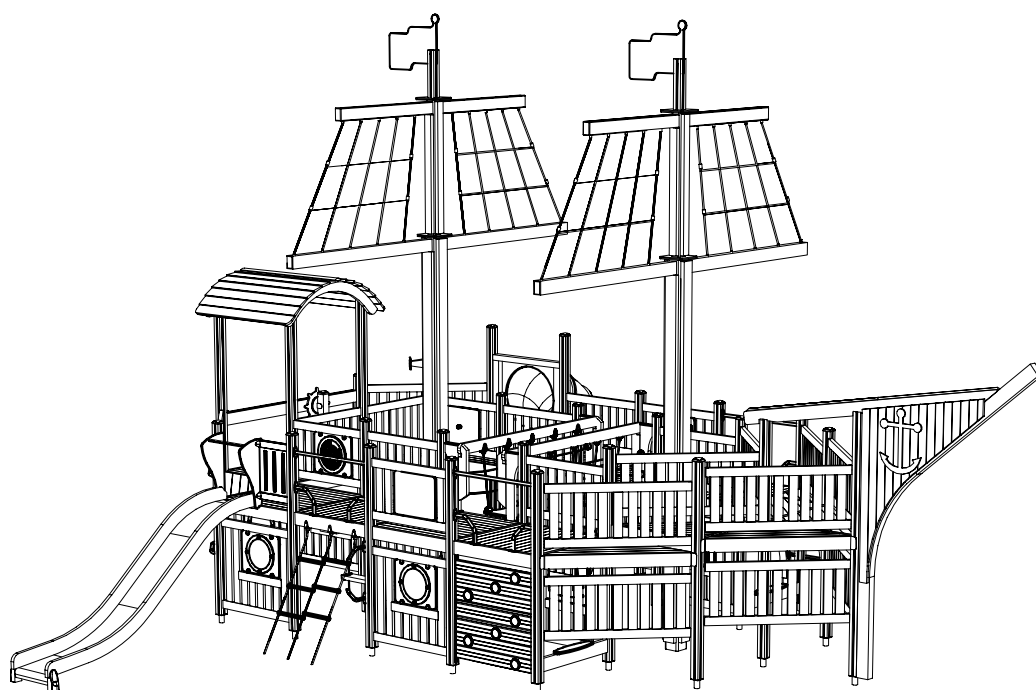
FINNO

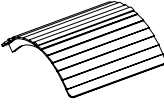
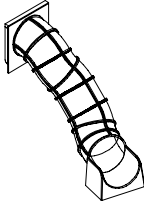
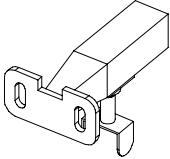
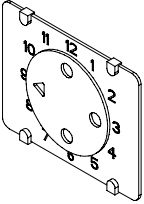
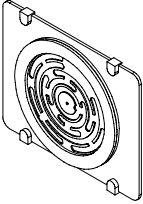
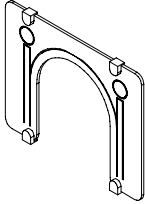






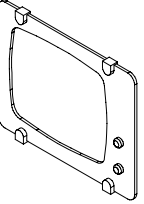
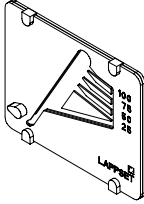
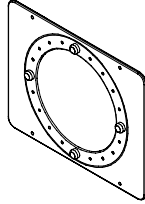
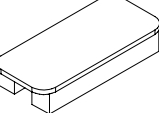
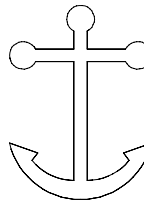
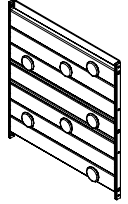






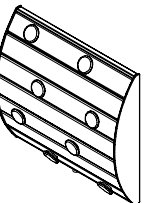
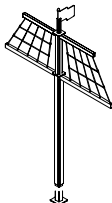
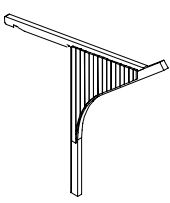
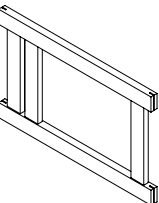
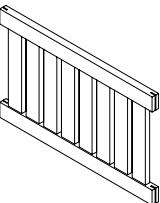
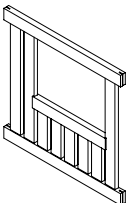

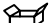
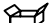



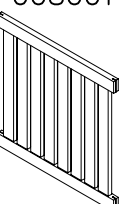
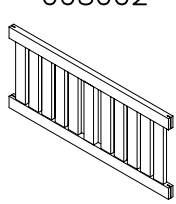

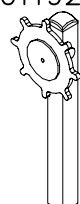
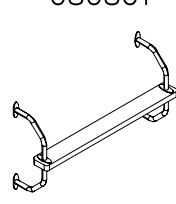
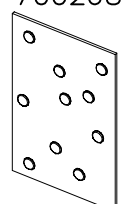






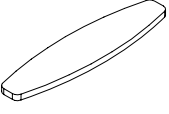
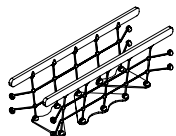
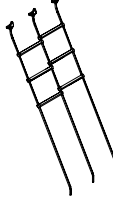
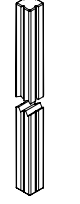
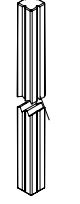
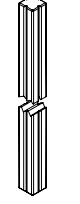

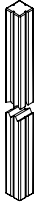

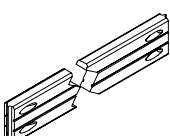
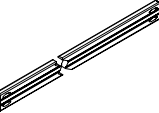
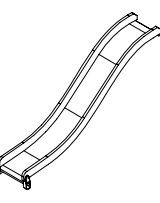
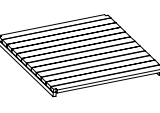


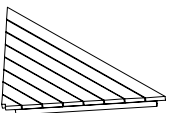
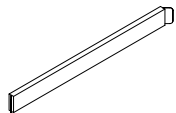
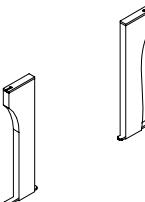
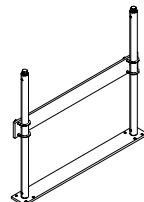


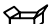
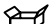



ASENNUSOHJE
MONTERINGSANSVISNING
INSTALLATION INSTRUCTION
AUFBAUANLEITUNG
NOTICE D'INSTALLATION


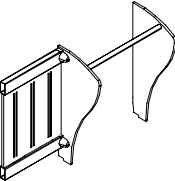




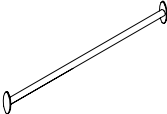
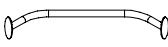
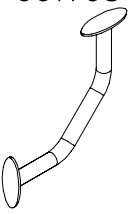
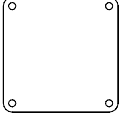

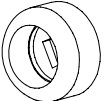
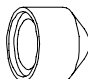
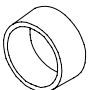
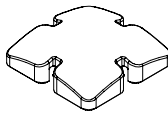
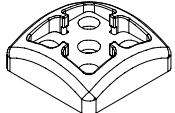
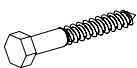
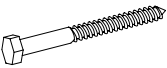

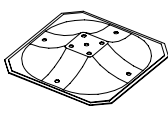
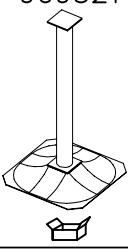





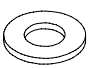
REF: 120825
DATE: 1.4.2011

120825

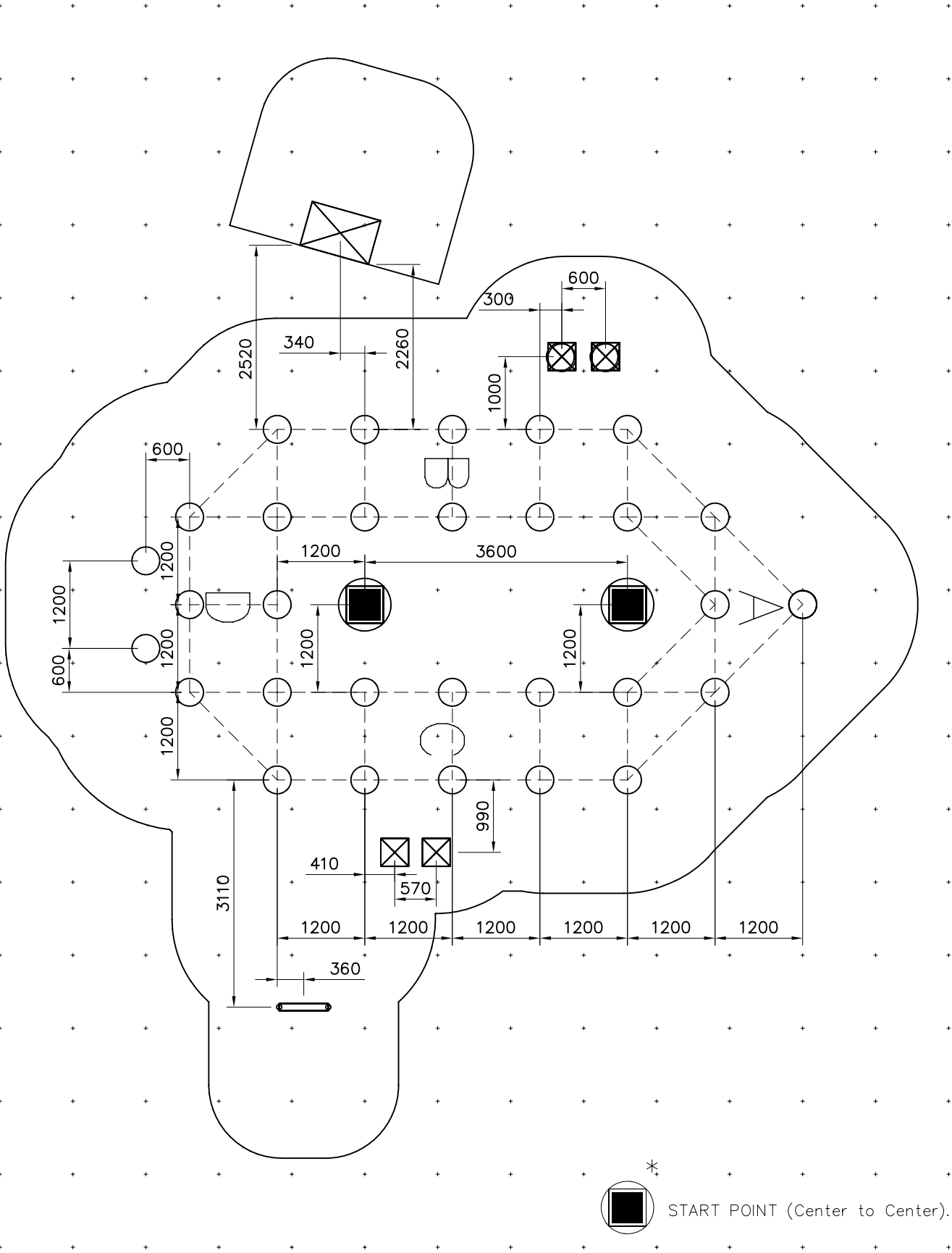
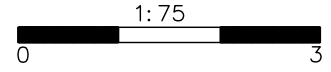
INCLUDE PRODUCTS WHICH
NEED EXPERT KNOWLEDGE
OF CONSTRUCTION TECHNIQUE



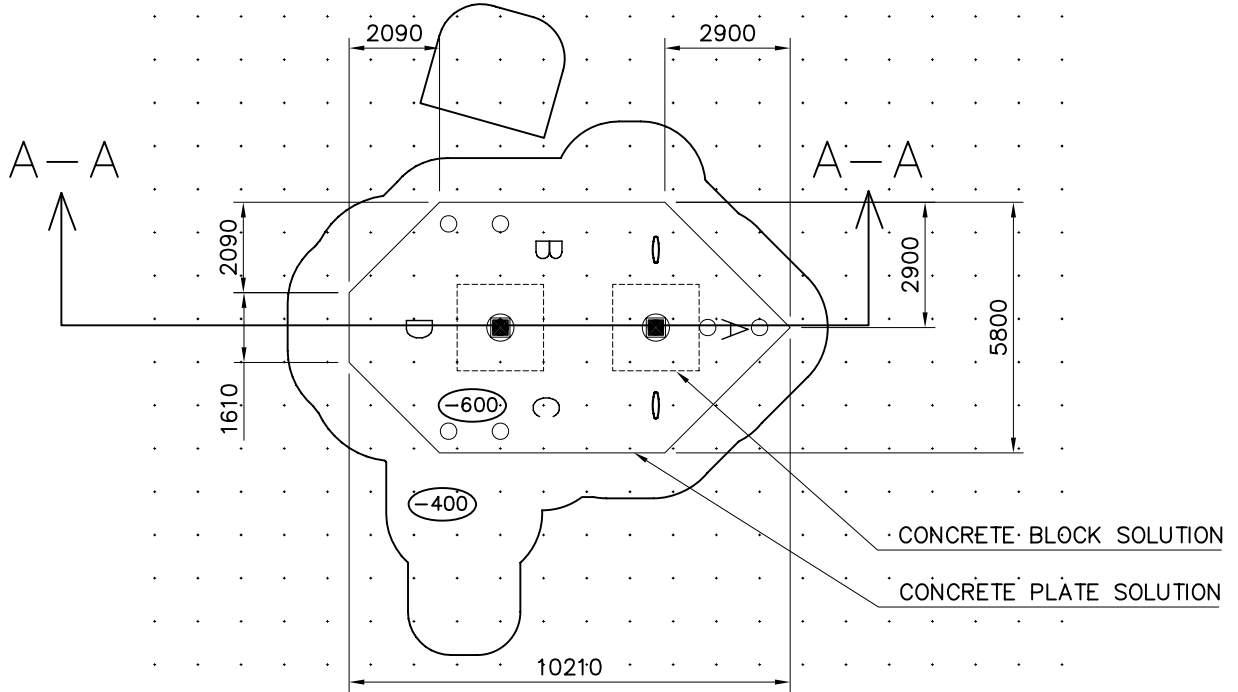
002780	PCS 1	002927	PCS 1	003974	PCS 1	005271	PCS 1	005272	PCS 1	005273	PCS 2
											
											
005274	PCS 1	005275	PCS 2	005282	PCS 6	005285	PCS 2	007929	PCS 2	007973	PCS 1
											
											
007974	PCS 1	007976	PCS 2	007985	PCS 1	007998	PCS 4	007999	PCS 7	008000	PCS 9
											
											
008001	PCS 3	008002	PCS 11	008017	PCS 1	011925	PCS 1	080801	PCS 2	700268	PCS 2
											
											
701052	PCS 2	701155	PCS 1	701340	PCS 1	701425	PCS 2	701428	PCS 15	701434	PCS 3
											
20x145x600						L 1950		L 2250		L 2850	
701437	PCS 4	701467	PCS 5	701482	PCS 46	701502	PCS 1	701555	PCS 1	701557	PCS 10
											
L 3450		L 2350		L 1104		L 1590					
701569	PCS 8	701574	PCS 7	701582	PCS 2	701605	PCS 1	701928	PCS 1	702286	PCS 1
											
											
										90x50	

702339  90x50	PCS 1	702572  	PCS 1	702750  	PCS 2	900240  8x70	PCS 80	901785  L 1104	PCS 4	901792 	PCS 10
901798 	PCS 6	902487  65x65	PCS 2	905051  Ø24/8.4	PCS 188	905083  Ø32	PCS 24	905104  M10	PCS 128	905112  Ø22	PCS 24
905138  GRAY	PCS 23	905196  GRAY	PCS 23	909235  8x60	PCS 24	909238  8x90	PCS 188	909506  Ø3.5x13	PCS 8	909519  380x380	PCS 2
909521  	PCS 32	980102  5x40	PCS 12	980123  Ø7x60	PCS 14	980128  Ø7x40	PCS 3	980131  Ø6x60	PCS 92	980151  Ø16/8.4	PCS 24
	PCS		PCS		PCS		PCS		PCS		PCS
	PCS		PCS		PCS		PCS		PCS		PCS
	PCS		PCS		PCS		PCS		PCS		PCS

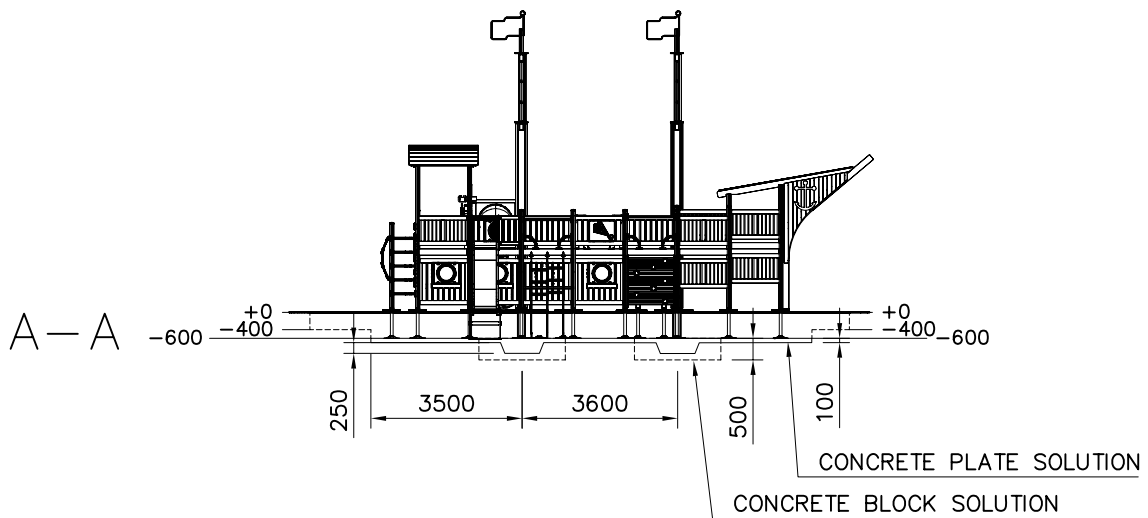
EN Impact Area 99.6 m²
Grid size = 1000mm



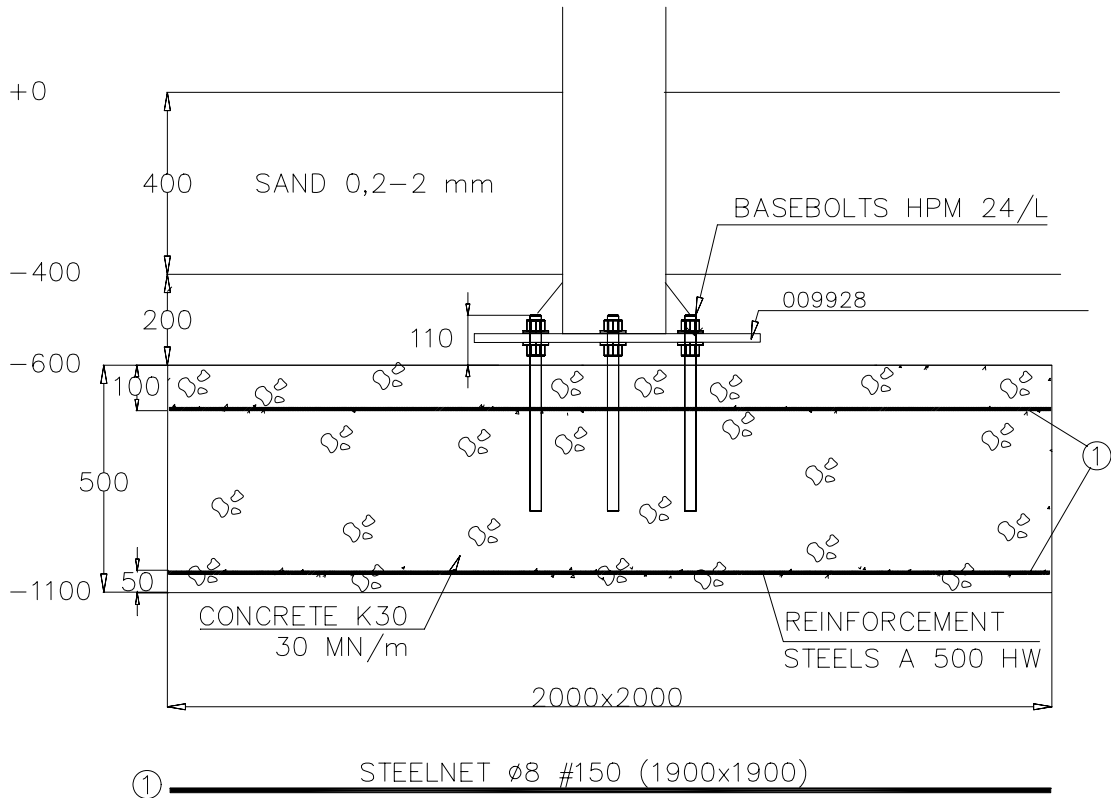
1:175



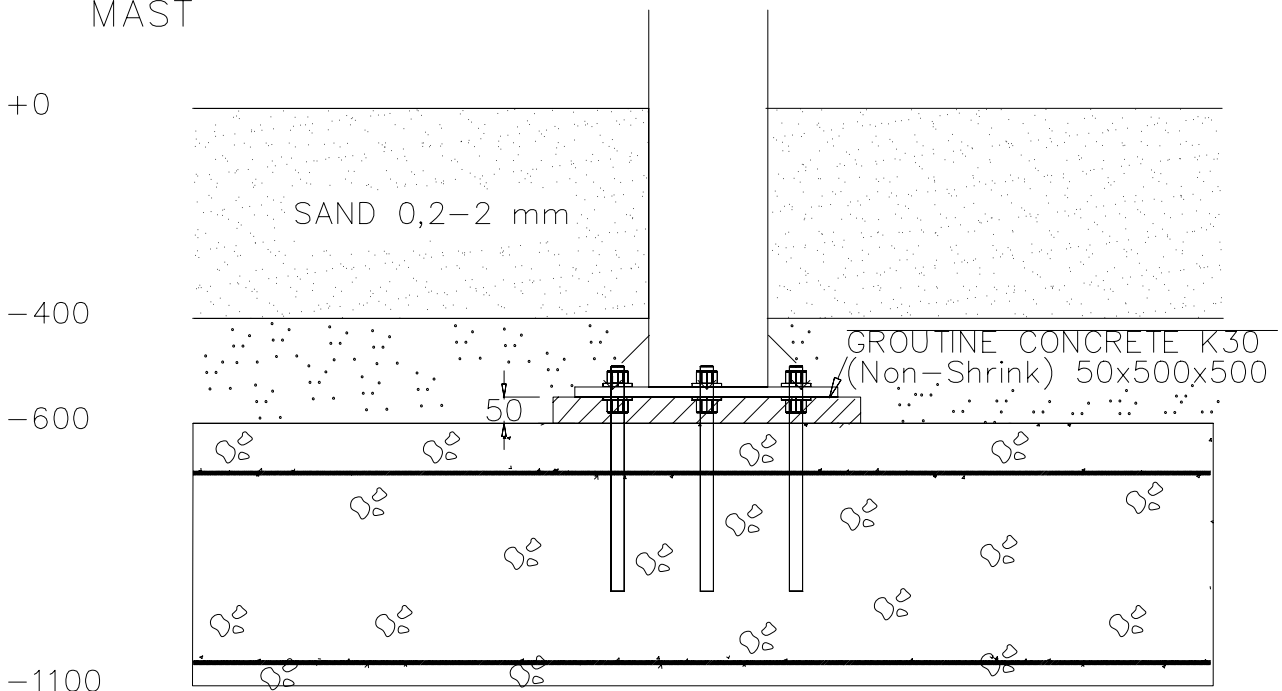
1:175

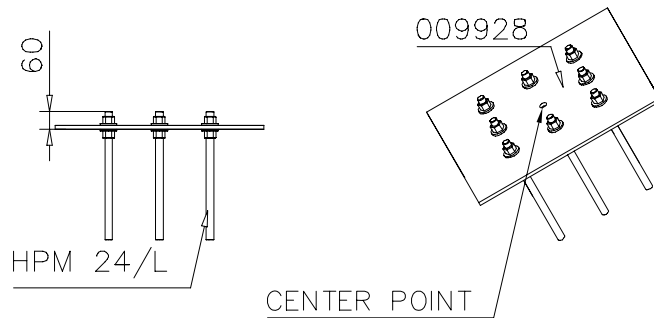


OPTION CONCRETE BLOCK SOLUTION

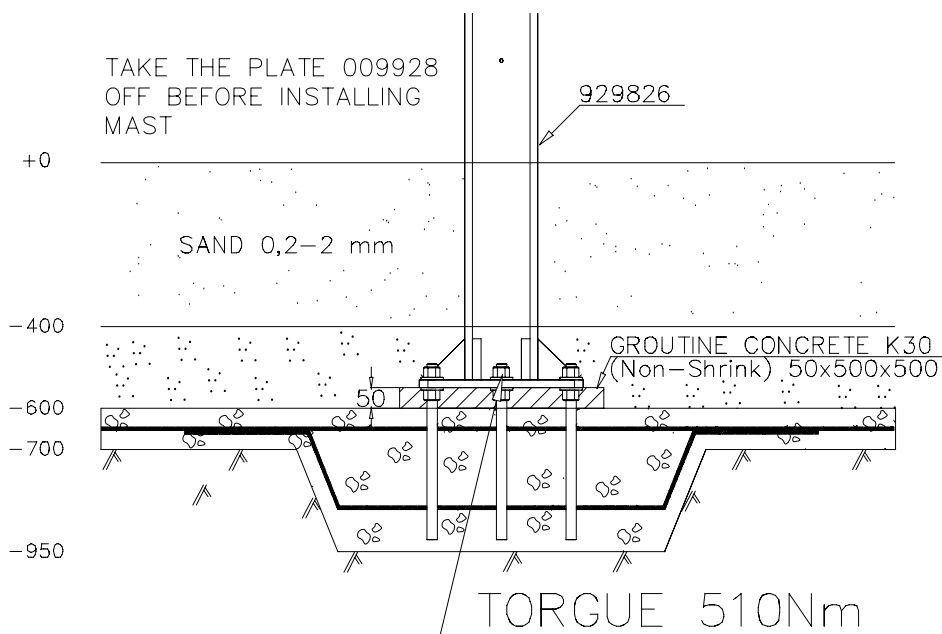
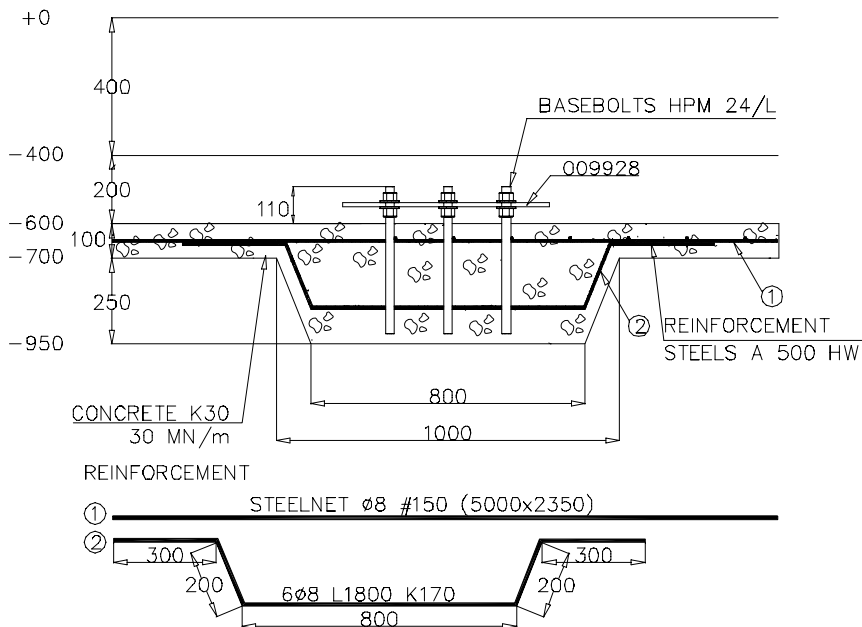


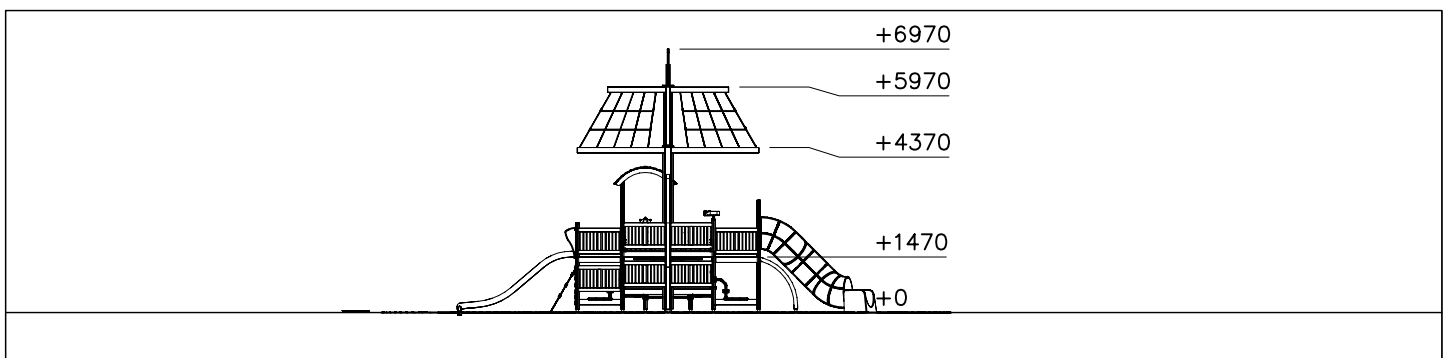
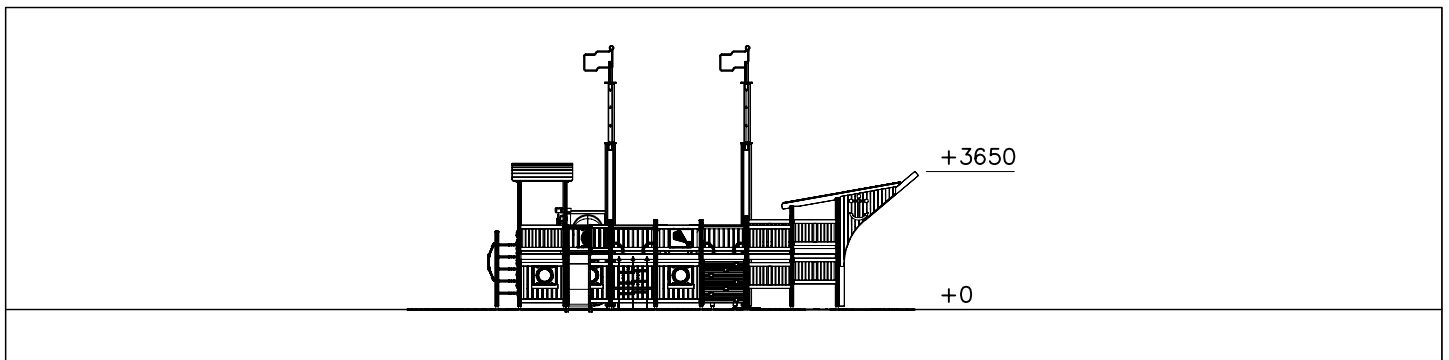
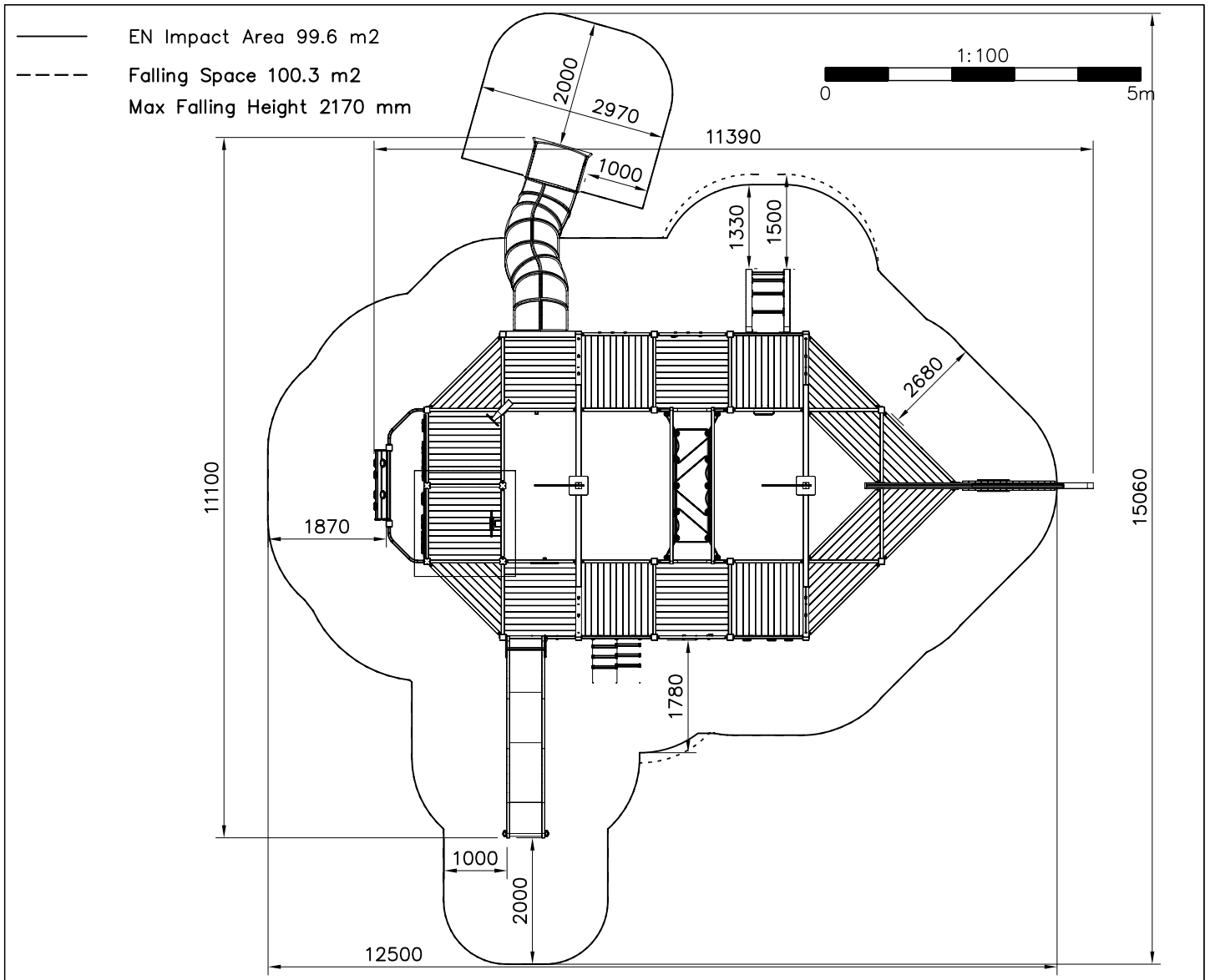
TAKE THE PLATE 009928
OFF BEFORE INSTALLING
MAST

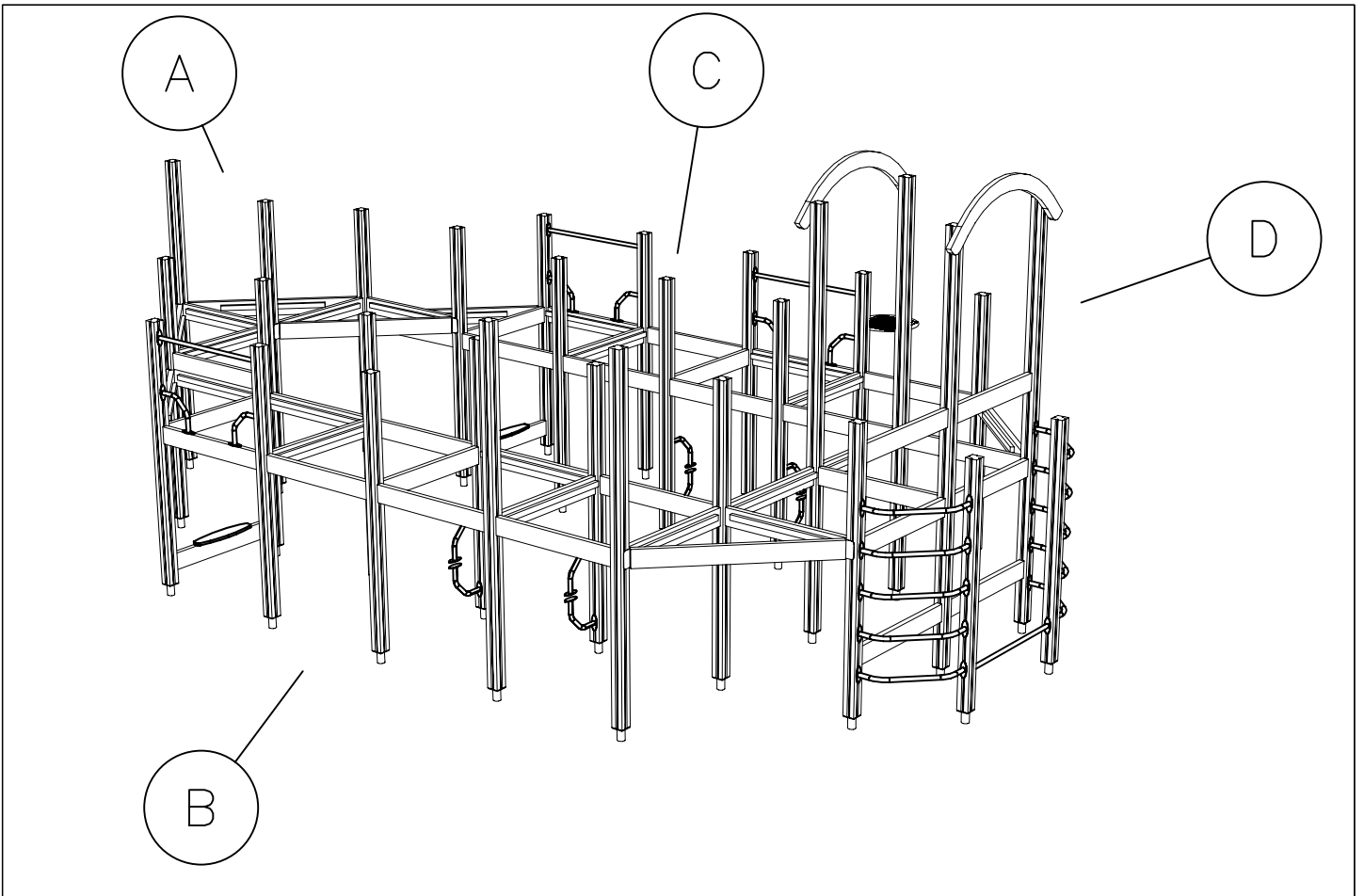
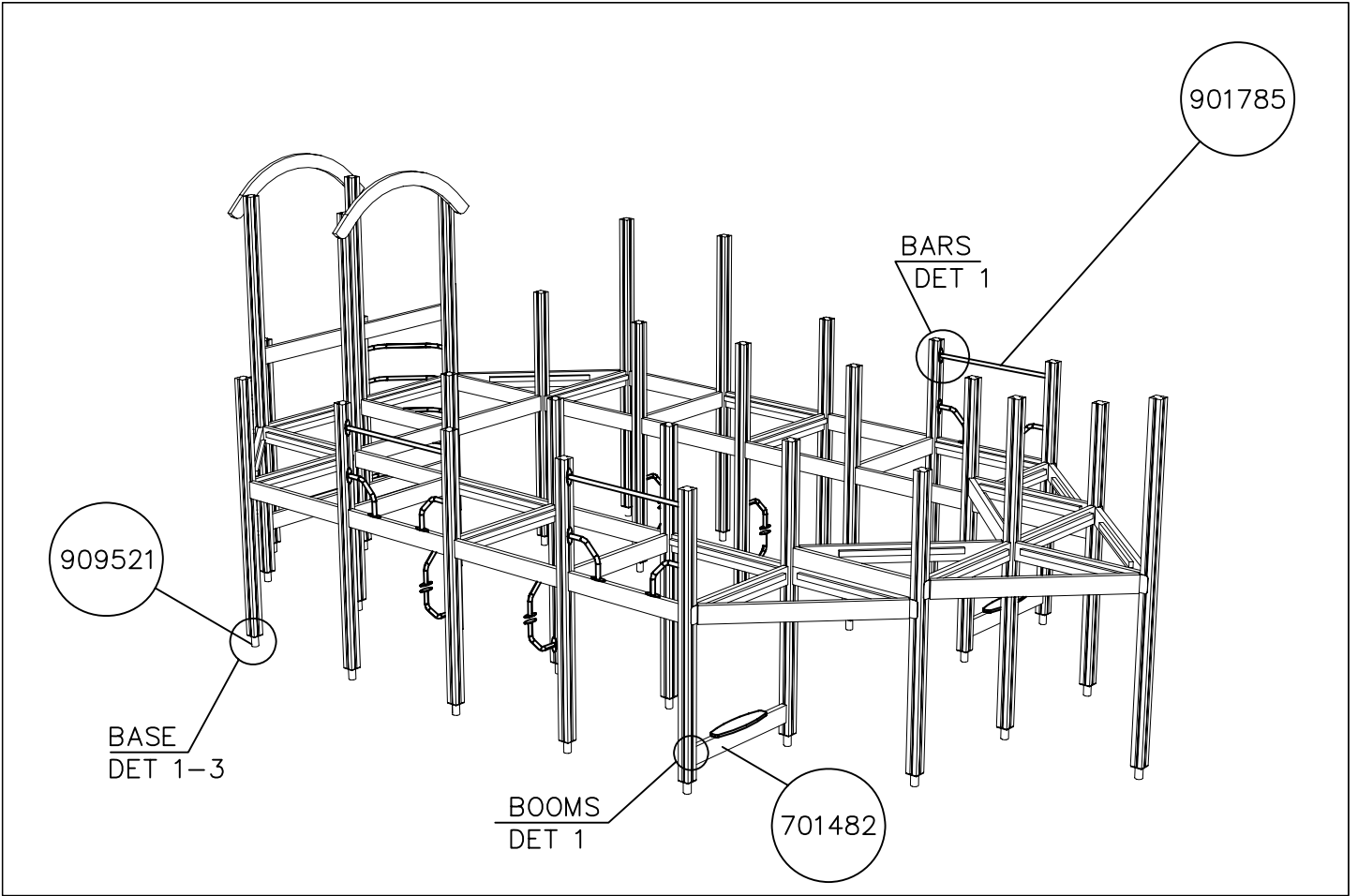


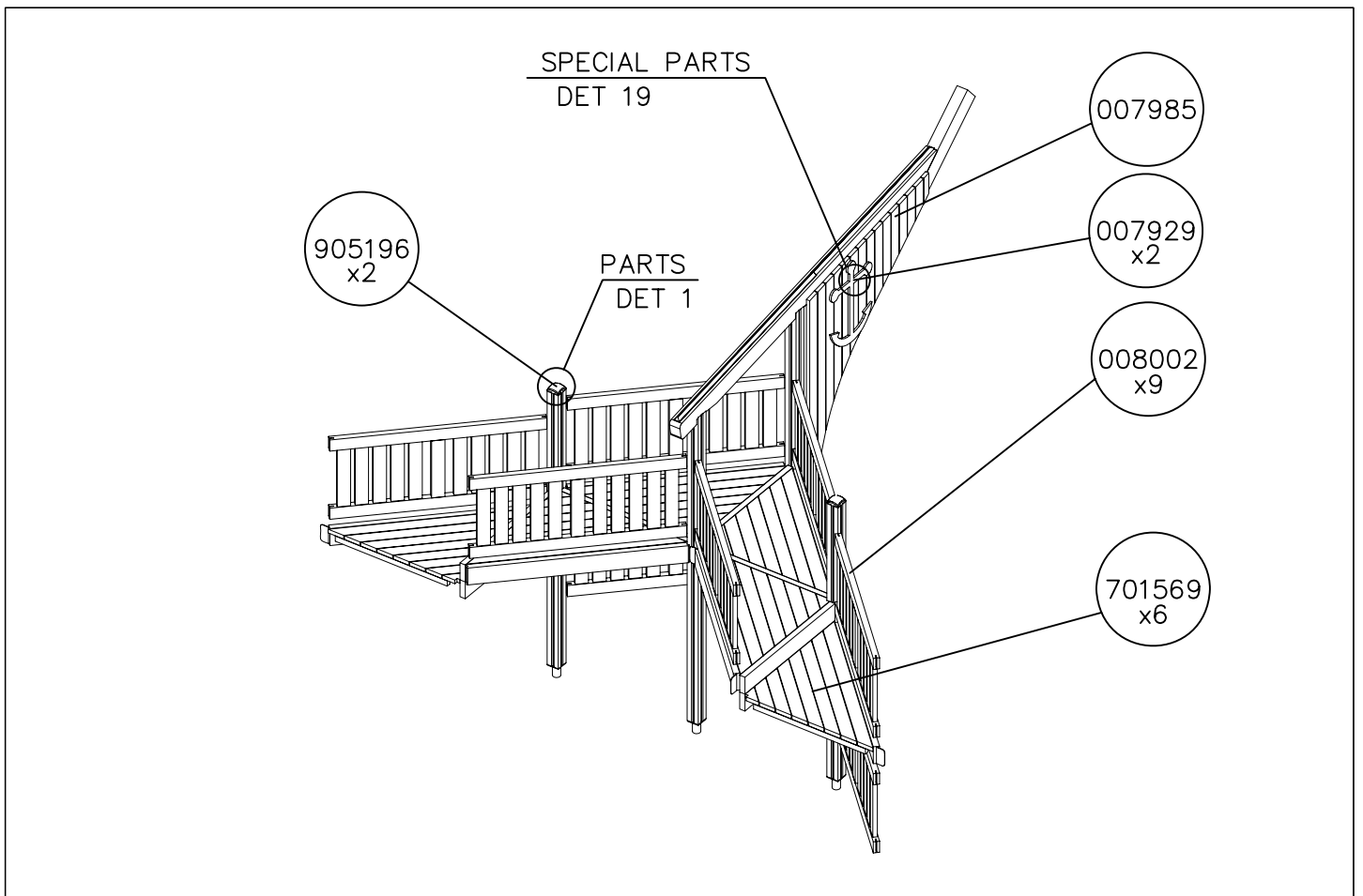
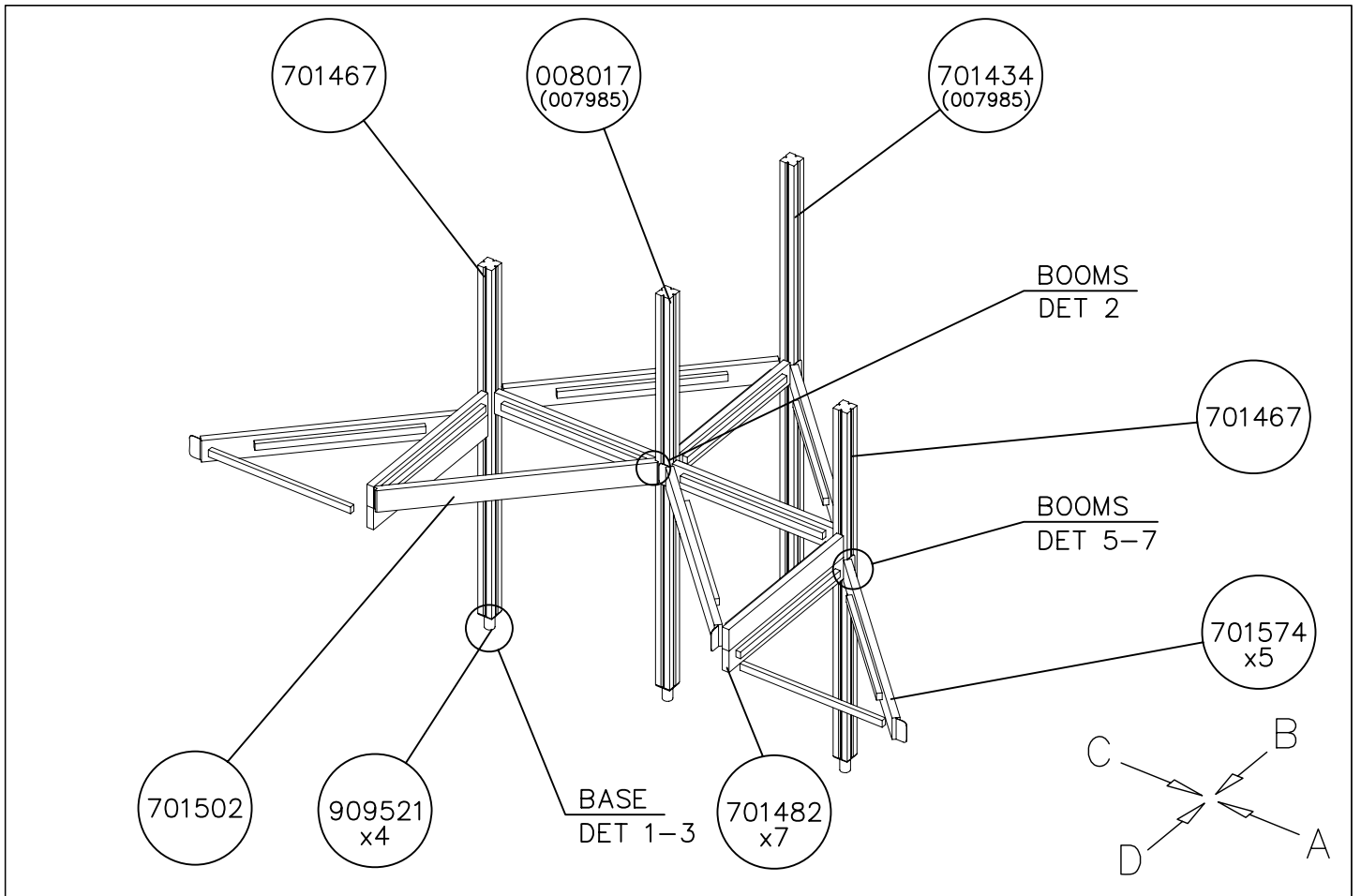


CONCRETE PLATE SOLUTION



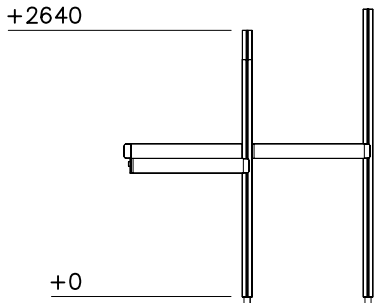




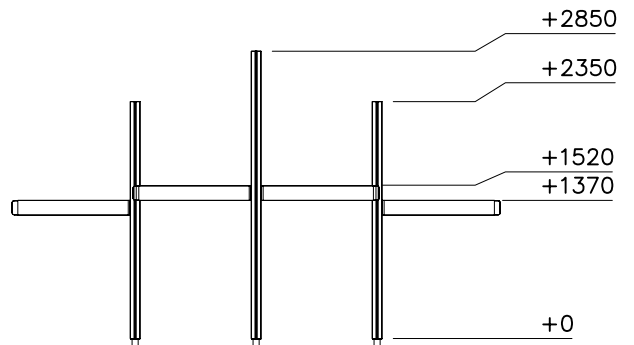


1:50

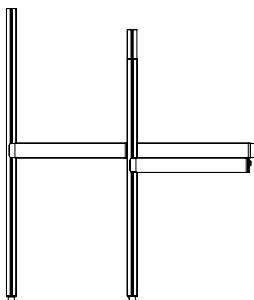
(A)



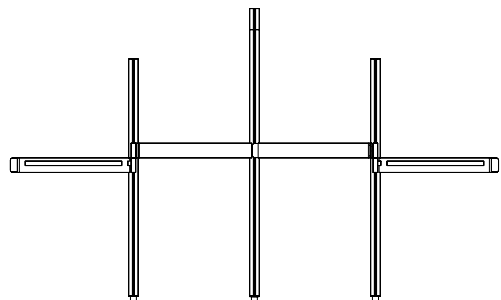
(B)

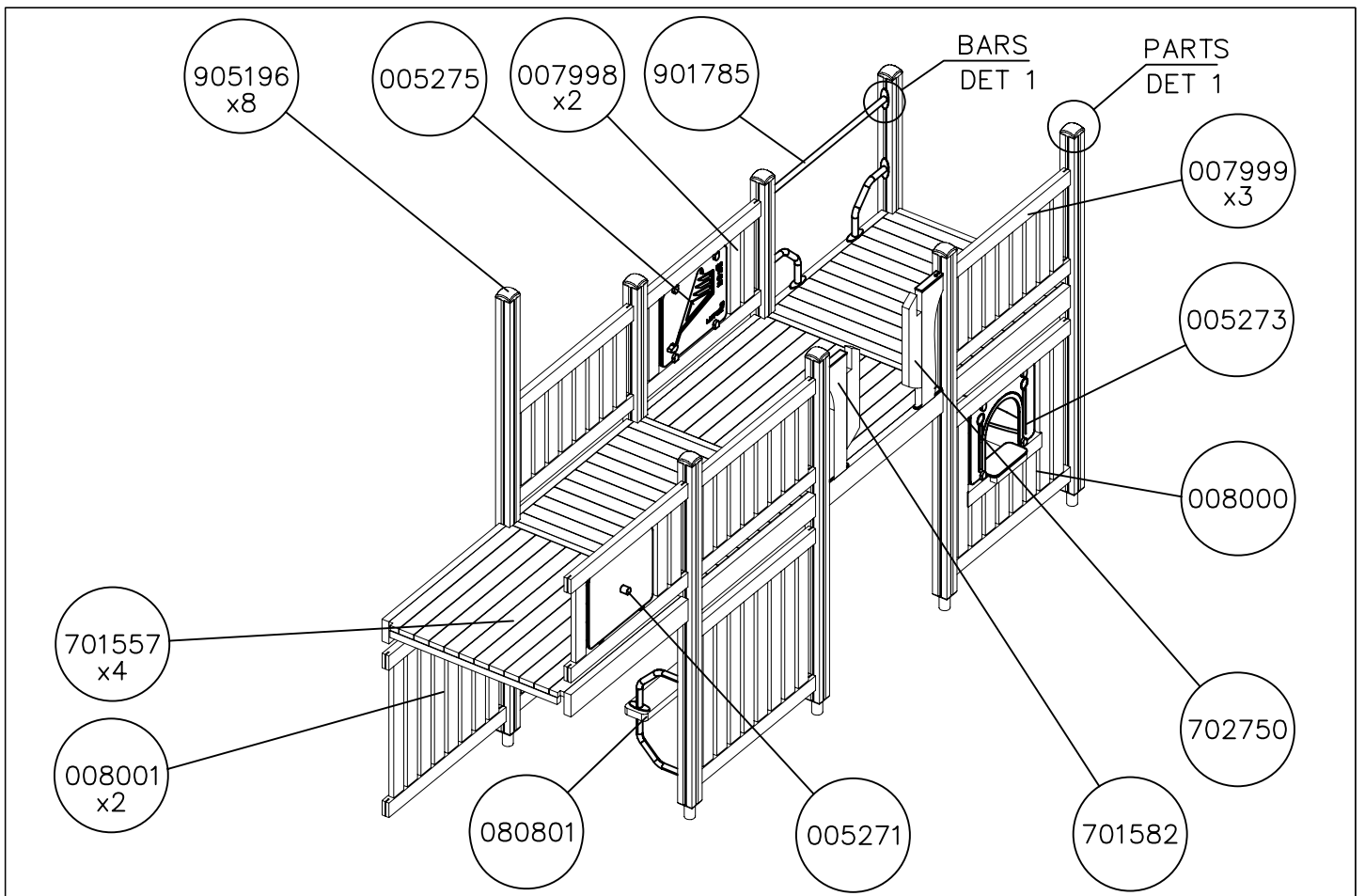
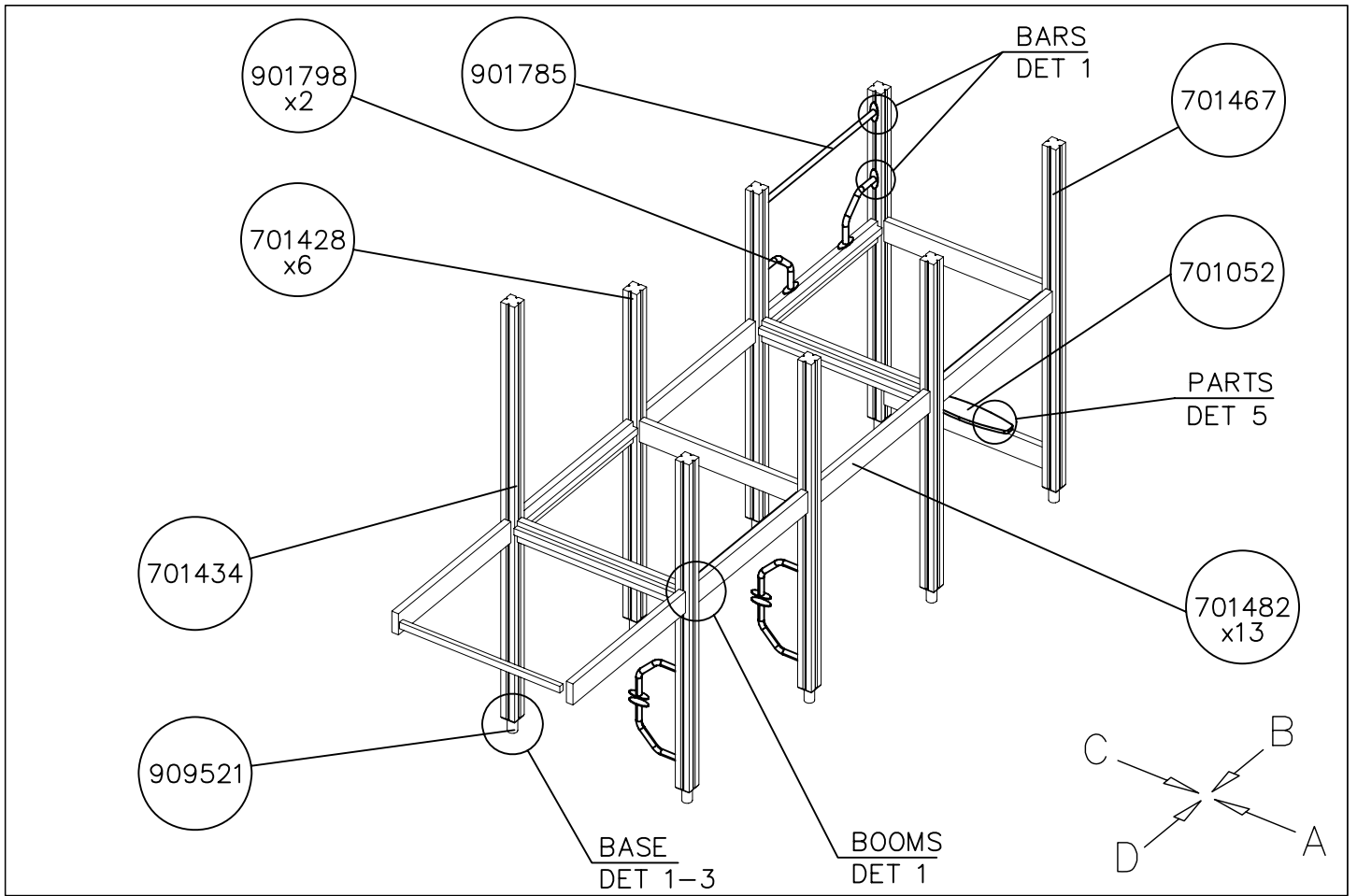


(C)



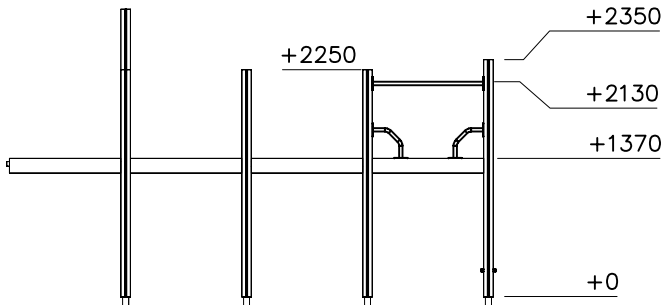
(D)



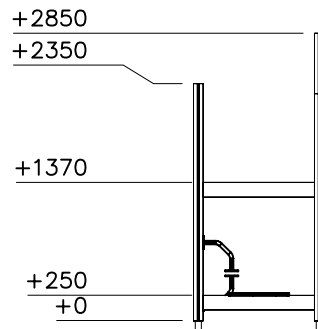


1:50

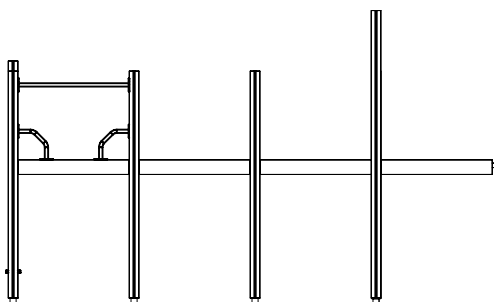
(A)



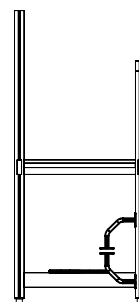
(B)

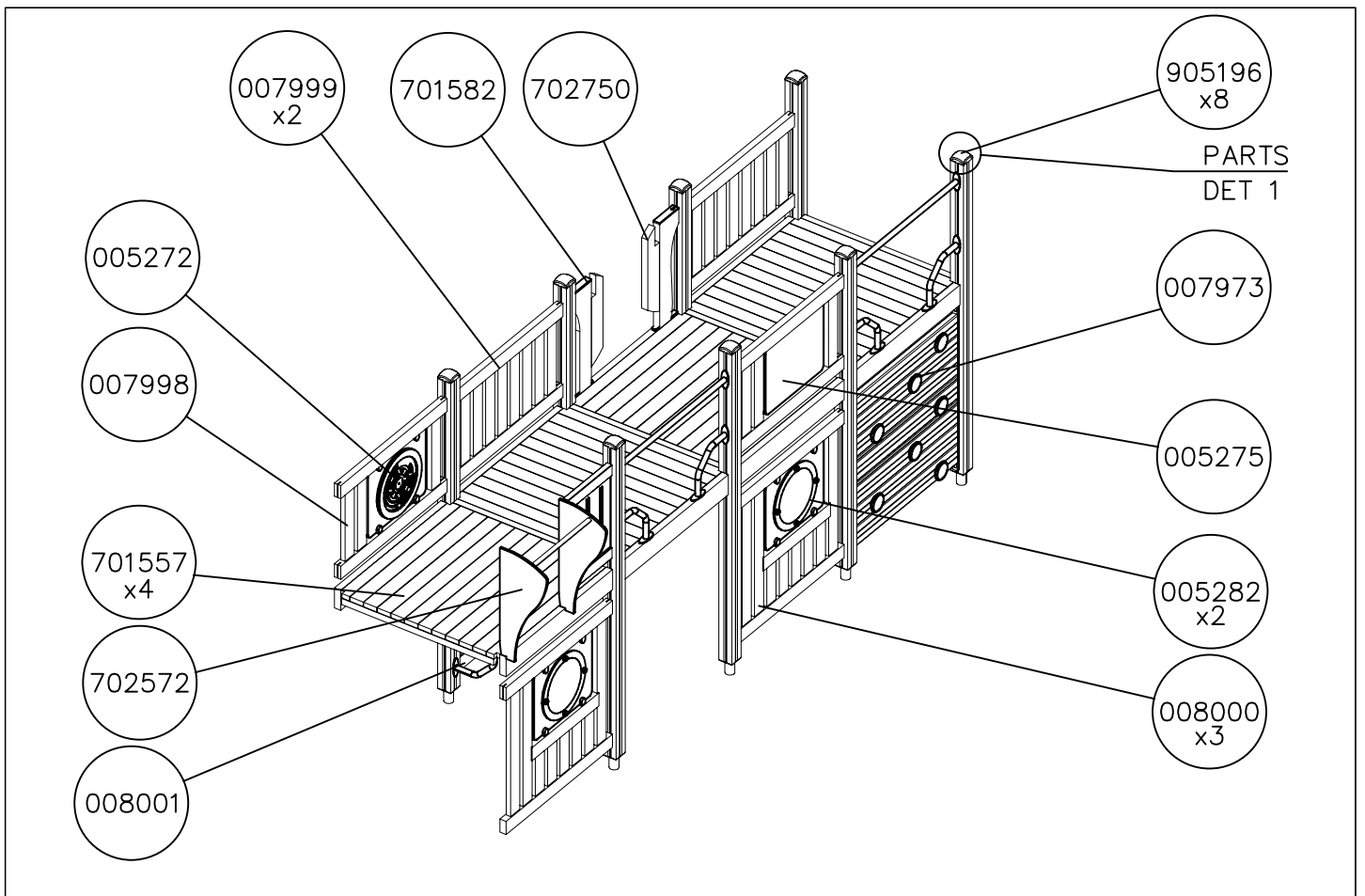
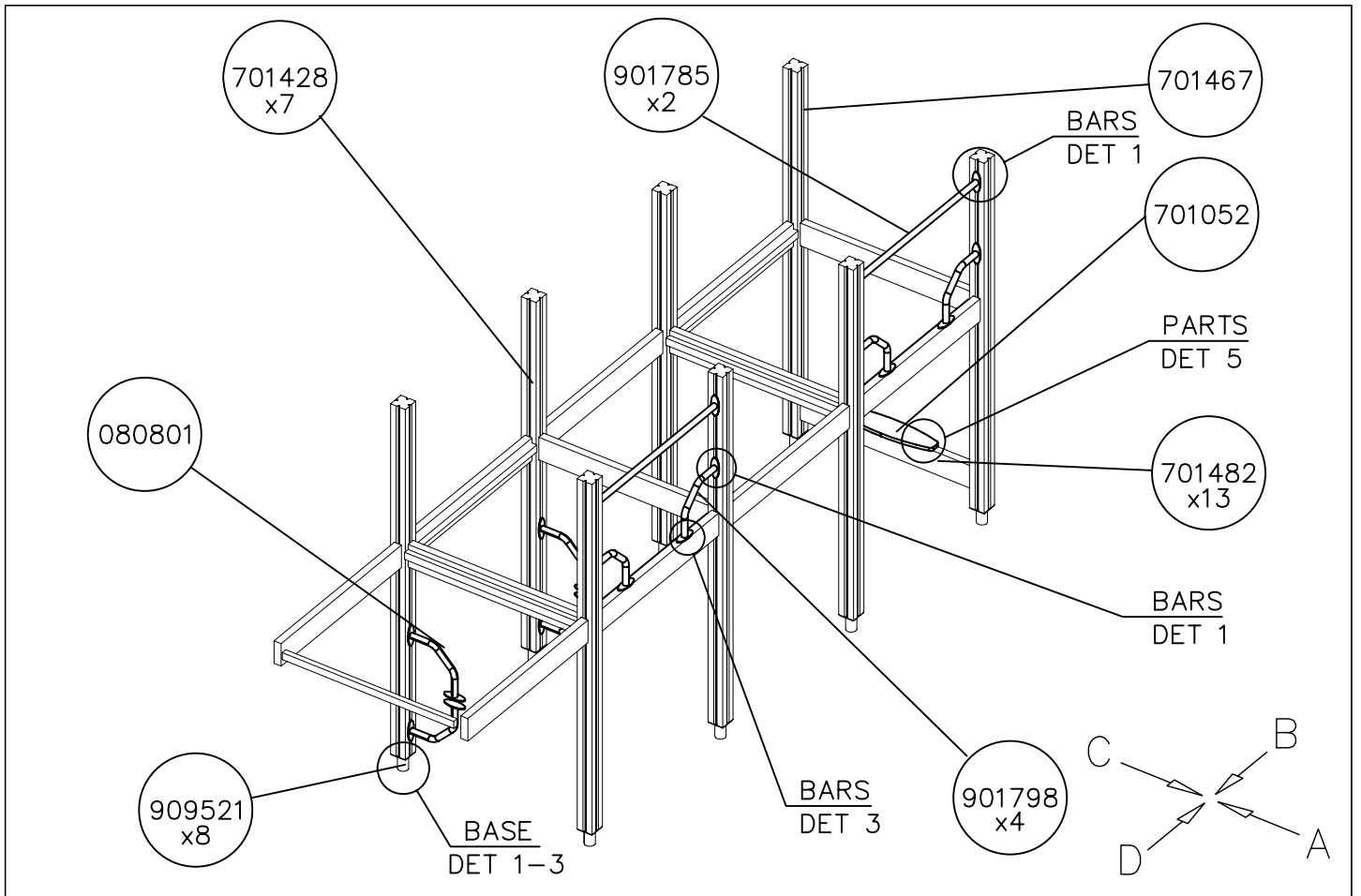


(C)



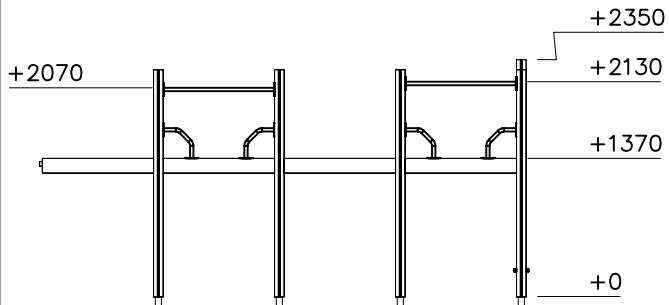
(D)



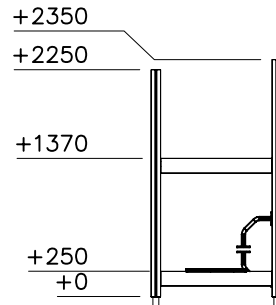


1:50

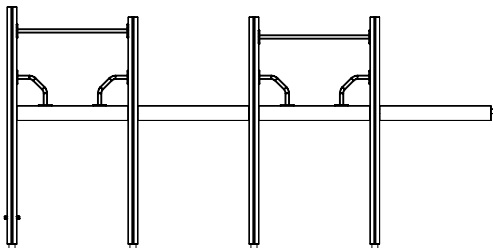
(A)



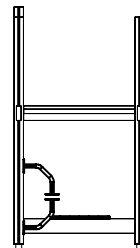
(B)

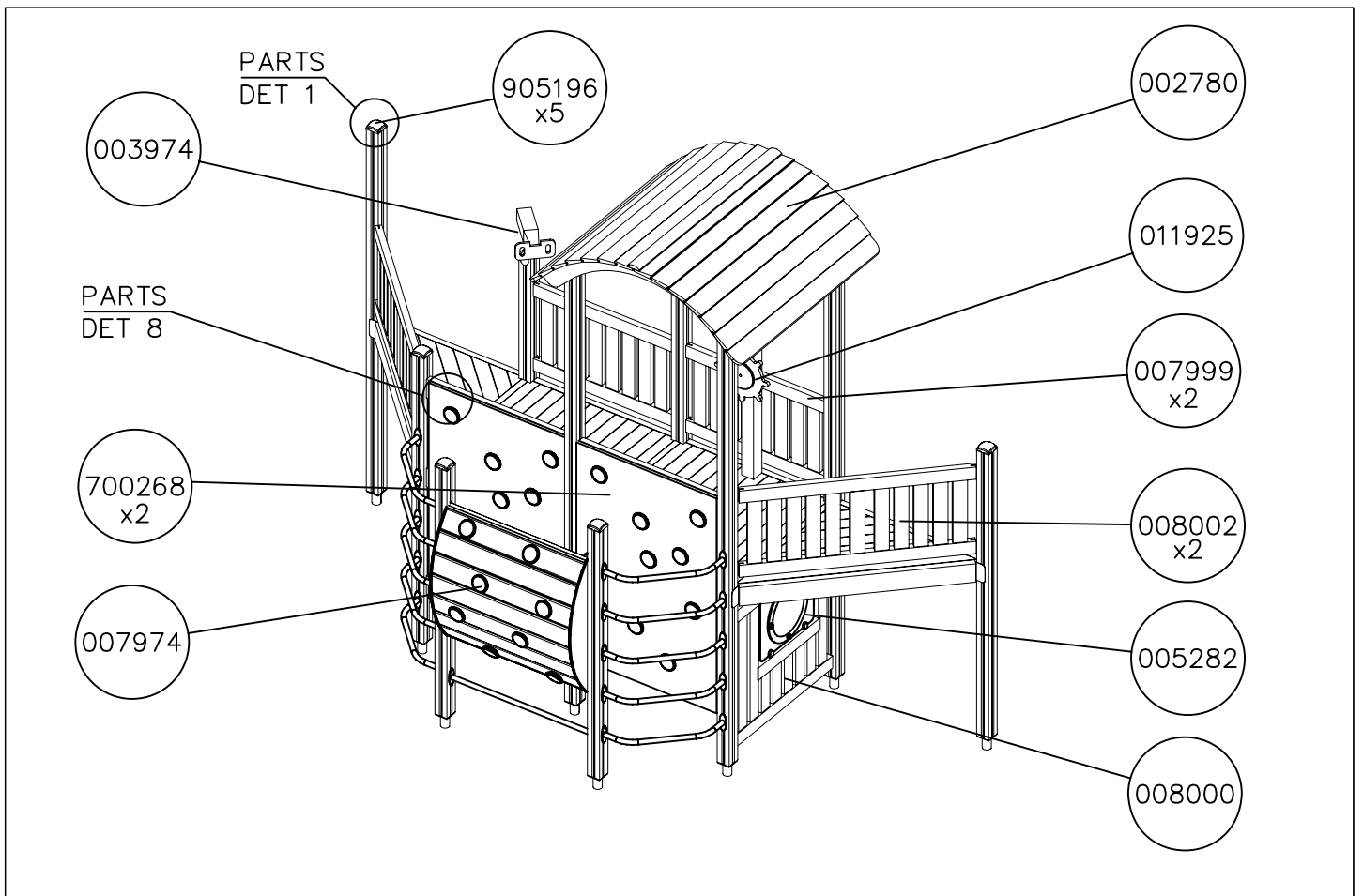
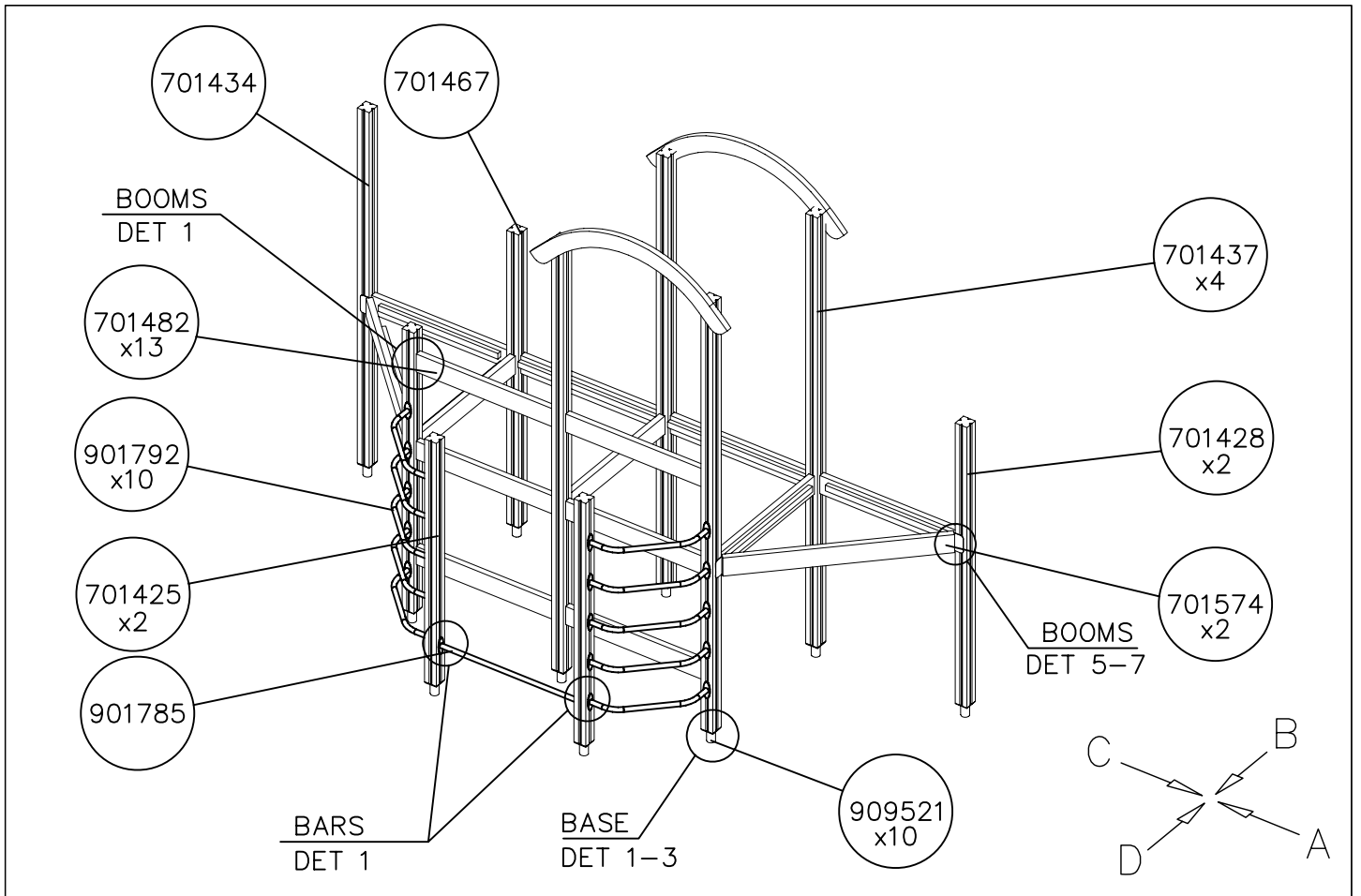


(C)



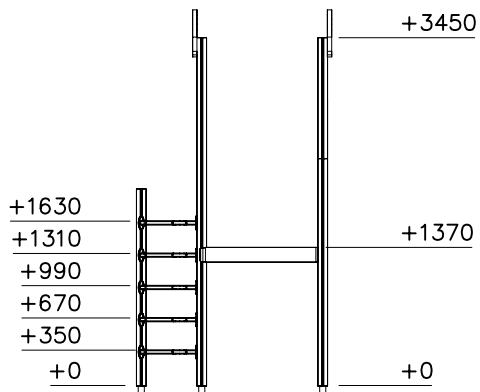
(D)



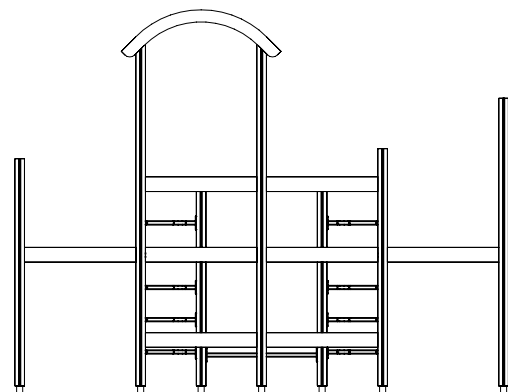


1:50

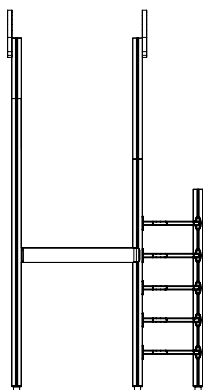
(A)



(B)



(C)



(D)

