

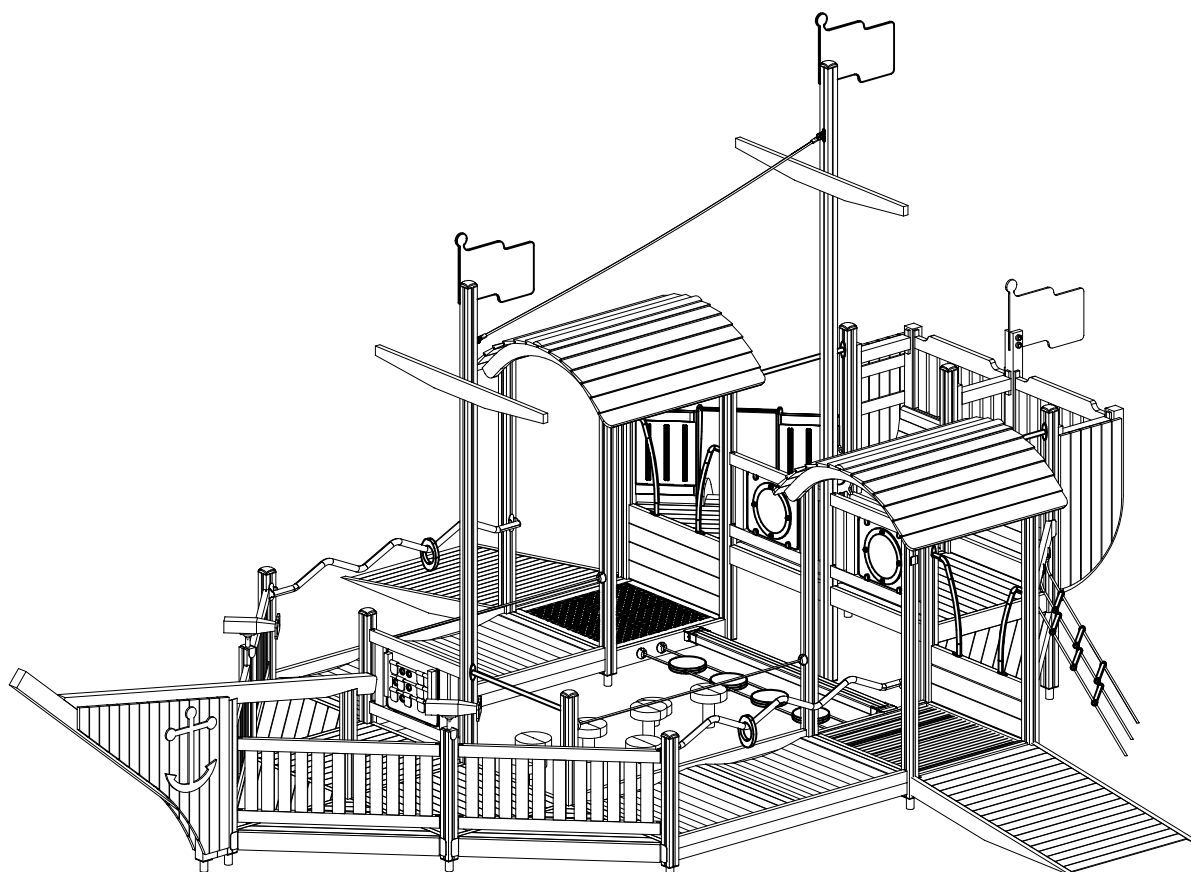
LAPPSET®

FINNO

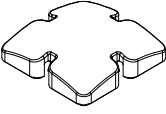
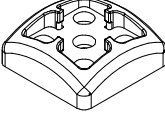
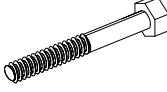

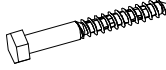
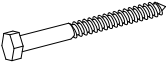

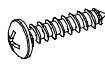

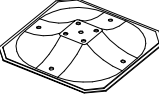
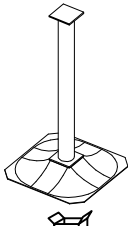
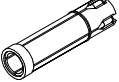





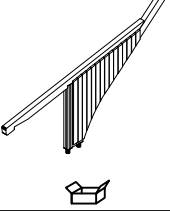


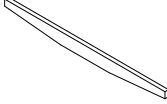
ASENNUSOHJE
MONTERINGSANSVISNING
INSTALLATION INSTRUCTION
AUFBAUANLEITUNG
NOTICE D'INSTALLATION

REF: 120820
DATE: 17.2.2015

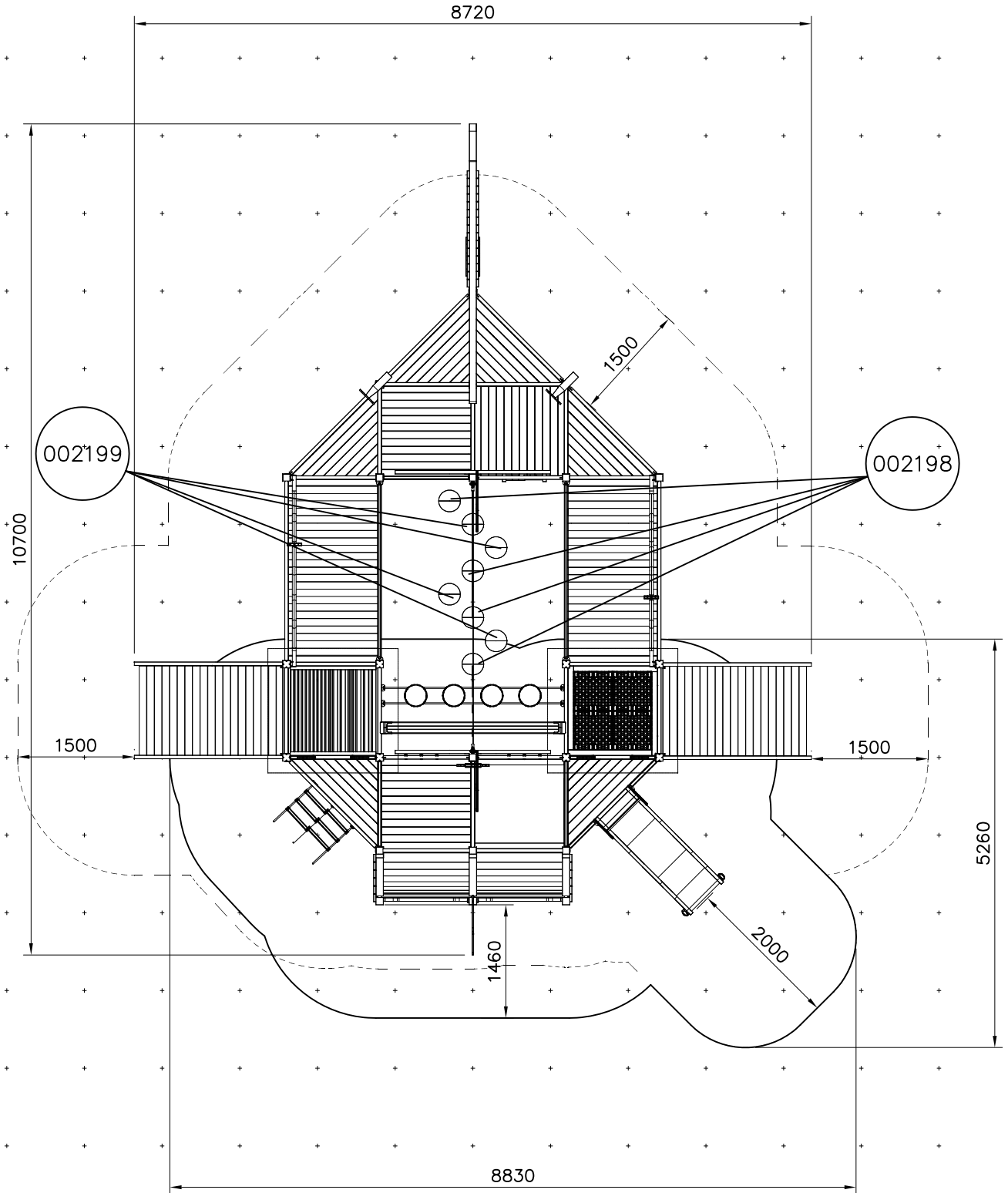
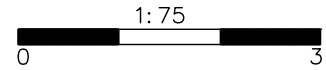
120820

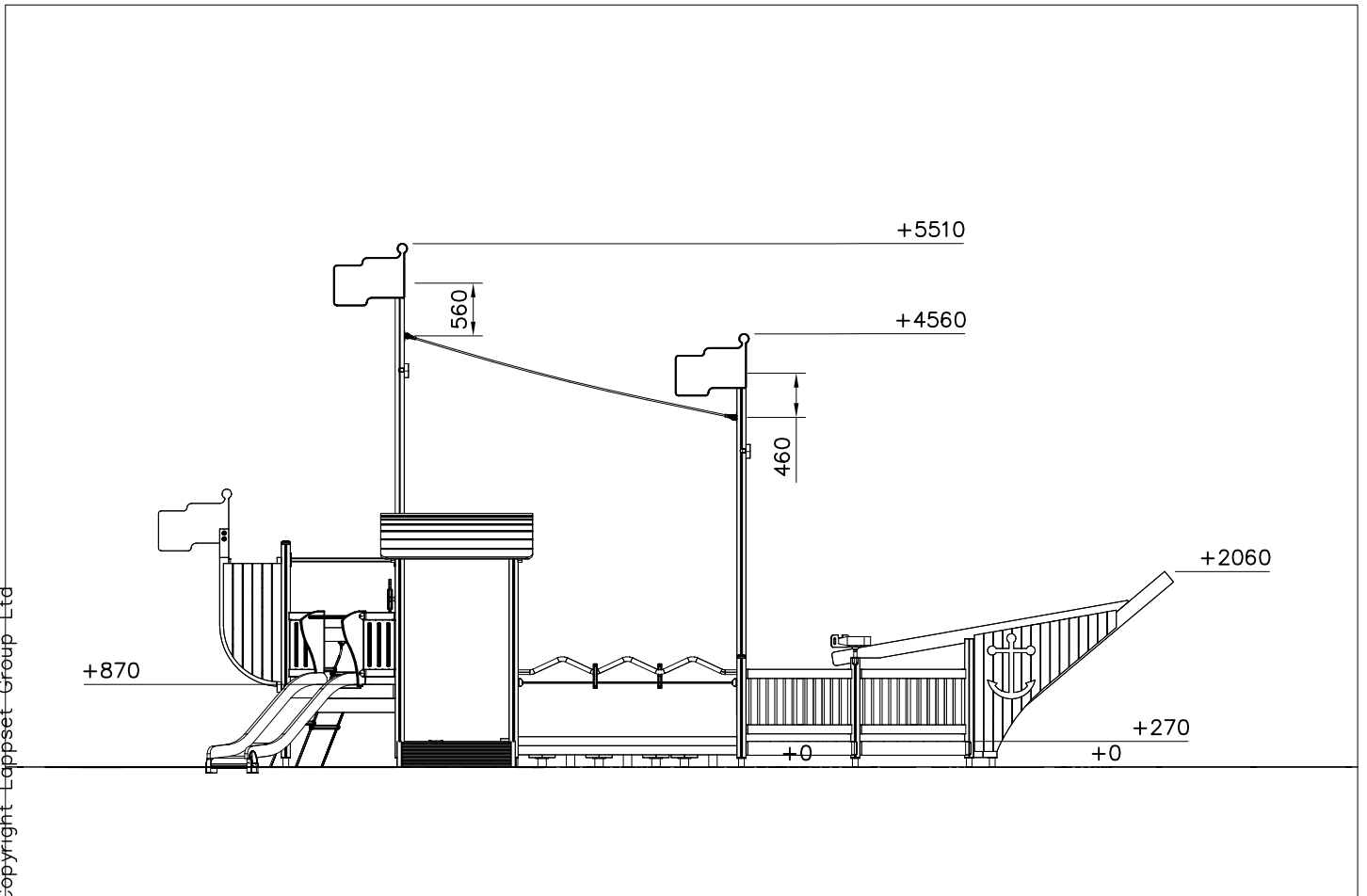
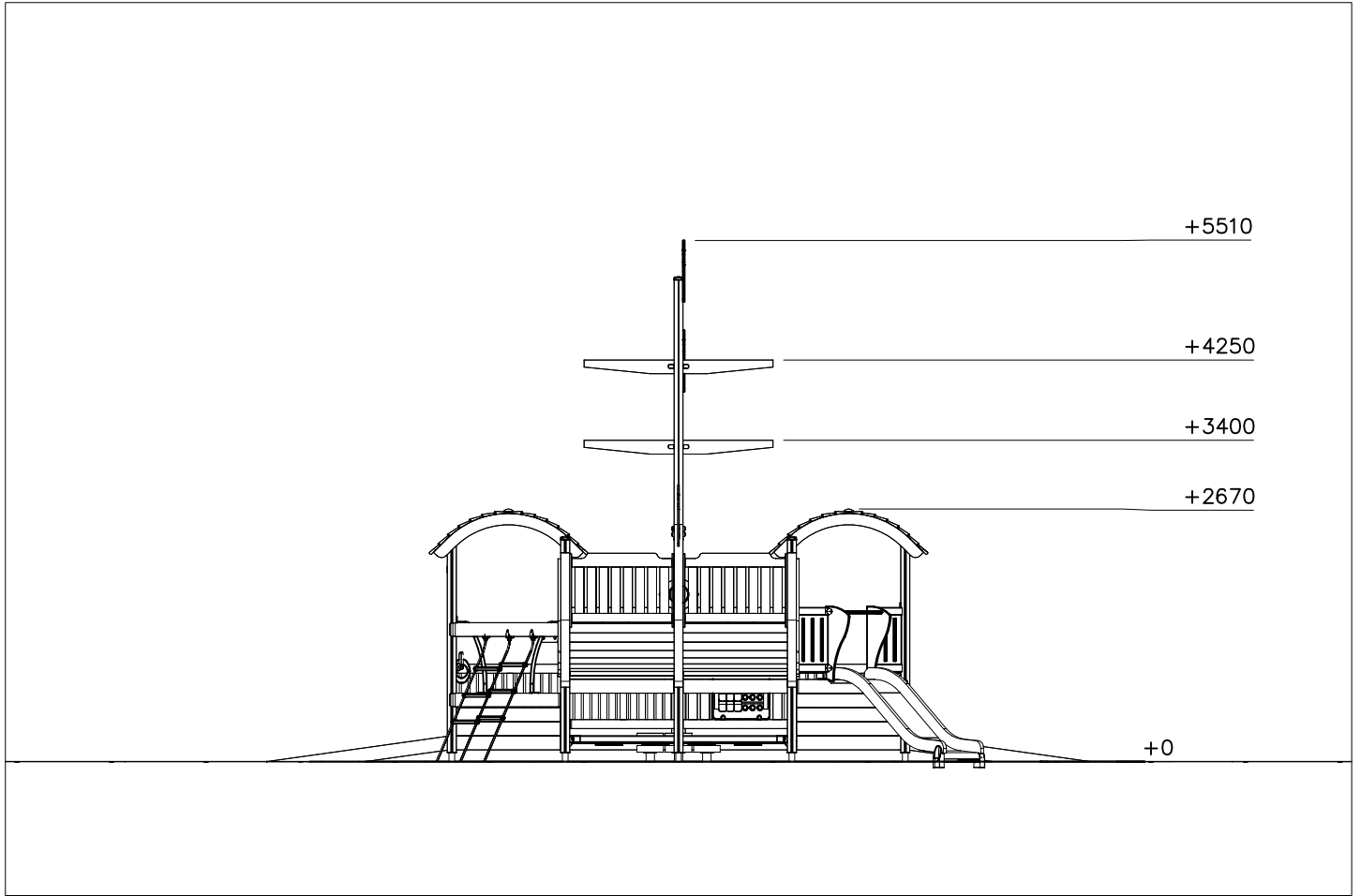


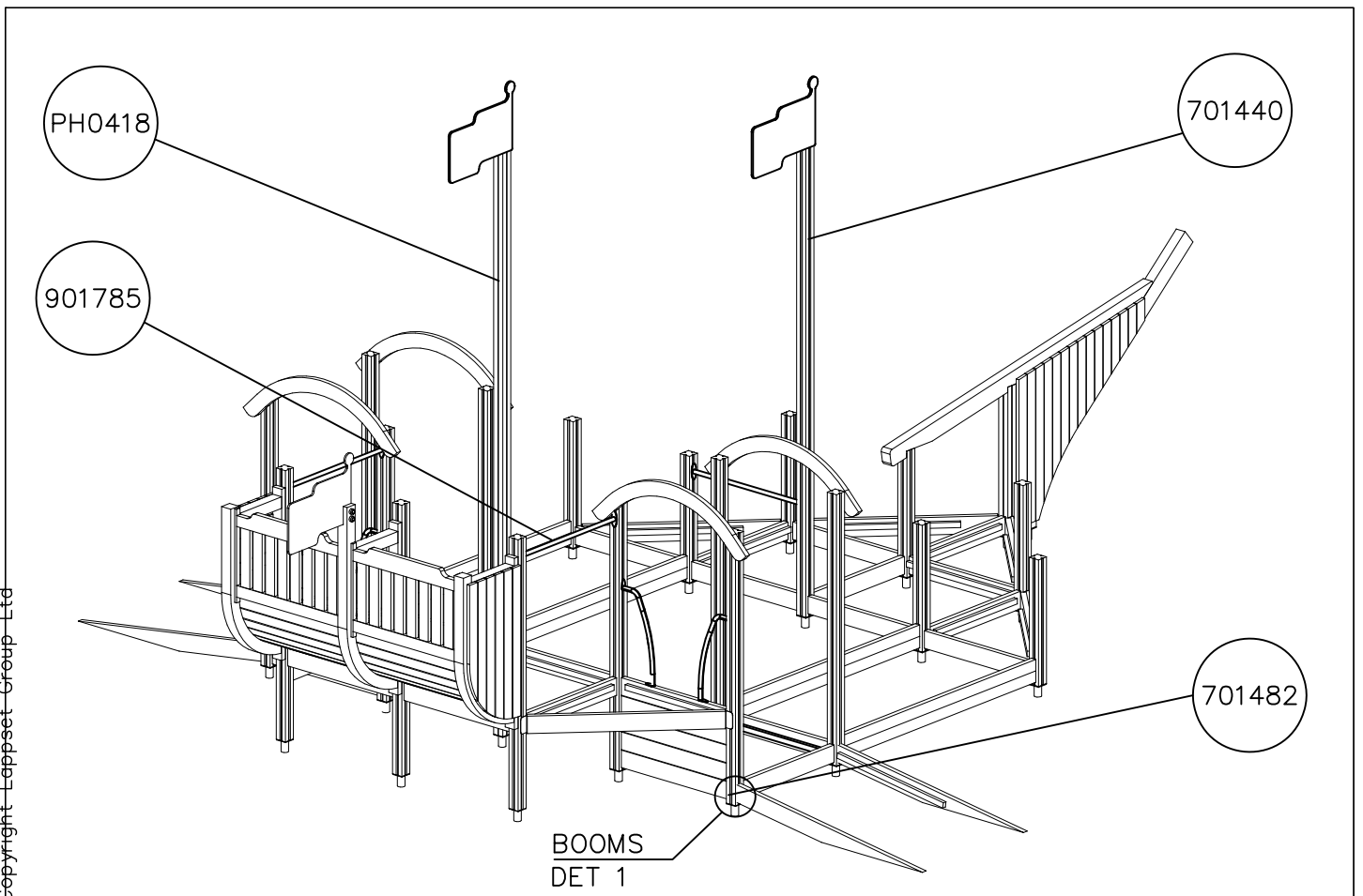
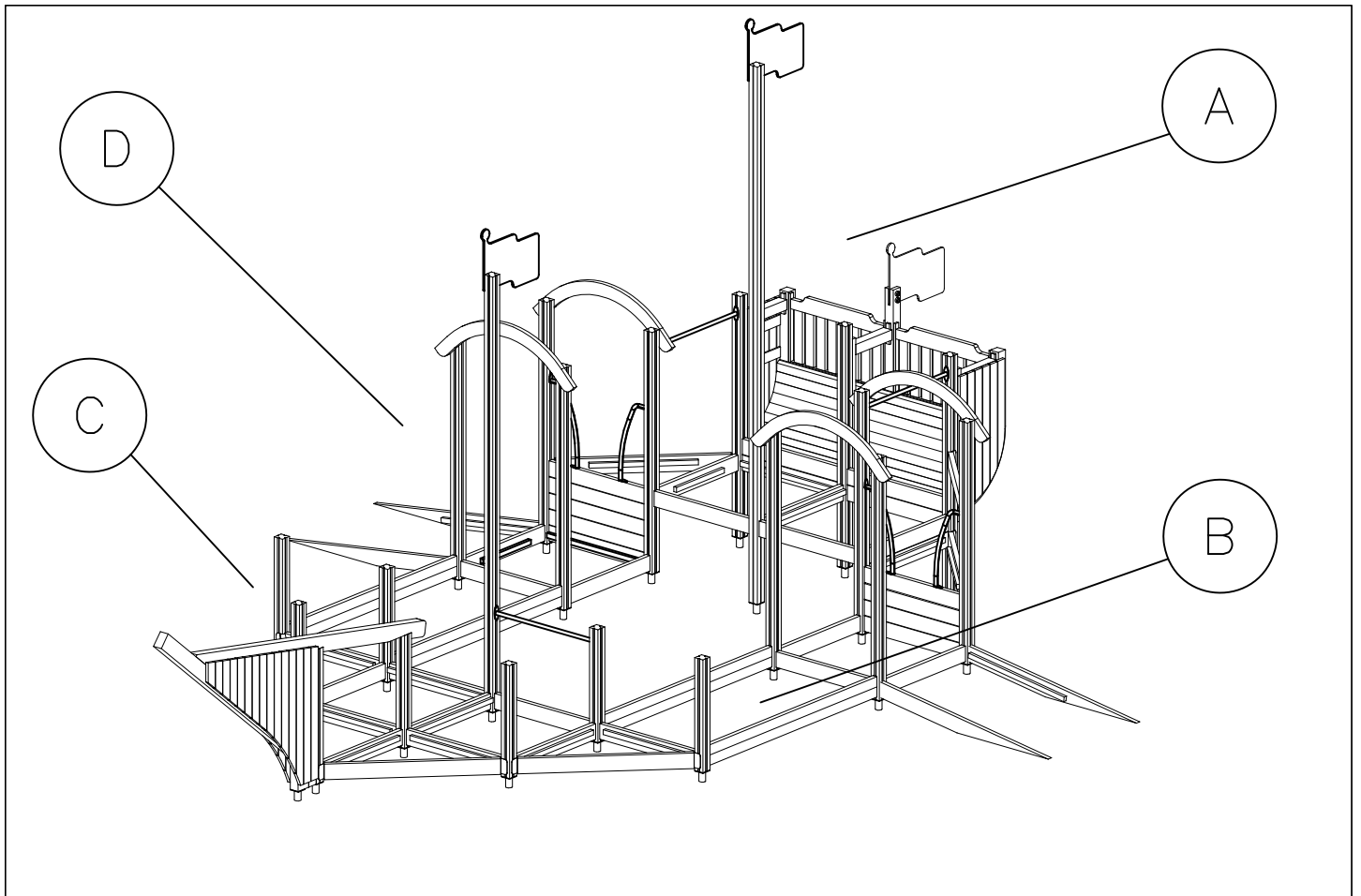
001819	PCS 2	002030	PCS 1	002198	PCS 4	002199	PCS 4	002780	PCS 2	003974	PCS 2
004226	PCS 2	004227	PCS 2	004228	PCS 1	004229	PCS 1	004230	PCS 1	005281	PCS 1
005282	PCS 2	007929	PCS 2	007969	PCS 2	007972	PCS 1	007998	PCS 3	008002	PCS 4
701340	PCS 1	701413	PCS 7	701428	PCS 11	701440	PCS 1	701482	PCS 35	701556	PCS 1
		L 1050		L 2250		L 4050		L 1104			
701557	PCS 3	701569	PCS 6	701574	PCS 7	701753	PCS 1	701779	PCS 2	701928	PCS 1
702286	PCS 1	703414	PCS 1	900240	PCS 40	901782	PCS 4	901785	PCS 3	902487	PCS 1
90x50				8x70				L 1104		65x65	
905051	PCS 140	905067	PCS 8	905071	PCS 4	905090	PCS 4	905104	PCS 88	905115	PCS 4
Ø24/8.4		Ø35				Ø45		M10		Ø30	

905138  GRAY	PCS 9	905196  GRAY	PCS 9	909149  M12x90	PCS 32	909214  12x50	PCS 4	909224  8x100	PCS 4	909238  8x90	PCS 140
909248  M12	PCS 4	909506  Ø3.5x13	PCS 4	909511  909511	PCS 2	909519  380x380	PCS 2	909521  909521	PCS 20	929427  M12x80	PCS 32
980102  5x40	PCS 12	980123  Ø7x60	PCS 6	980128  Ø7x40	PCS 3	980131  Ø6x60	PCS 36	980154  Ø24/13	PCS 44	AN0016  AN0016	PCS 1
PH0418  L 5000	PCS 1	PN0022 	PCS 1	P00085  45x145x2000	PCS 2		PCS		PCS		PCS
	PCS		PCS		PCS		PCS		PCS		PCS
	PCS		PCS		PCS		PCS		PCS		PCS
	PCS		PCS		PCS		PCS		PCS		PCS

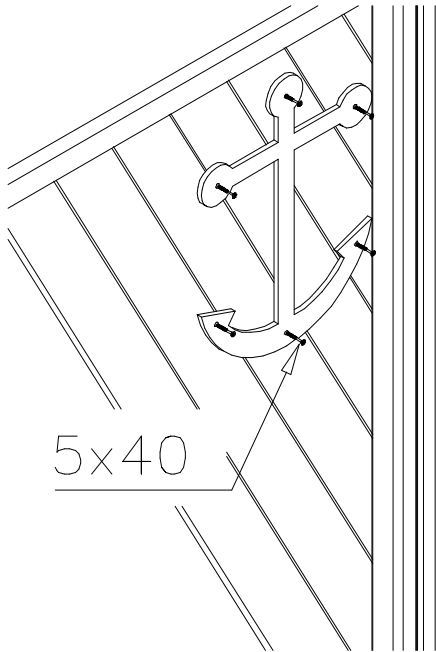
— EN/AS Impact Area 36.4 m²
- - - Falling Space 85.6 m²
Max Falling Height 1470 mm



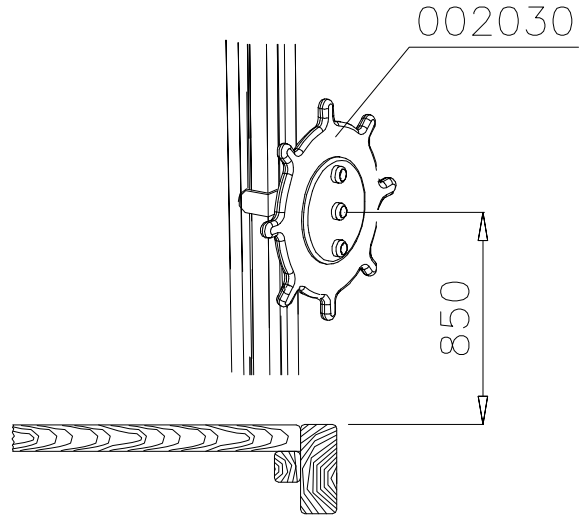




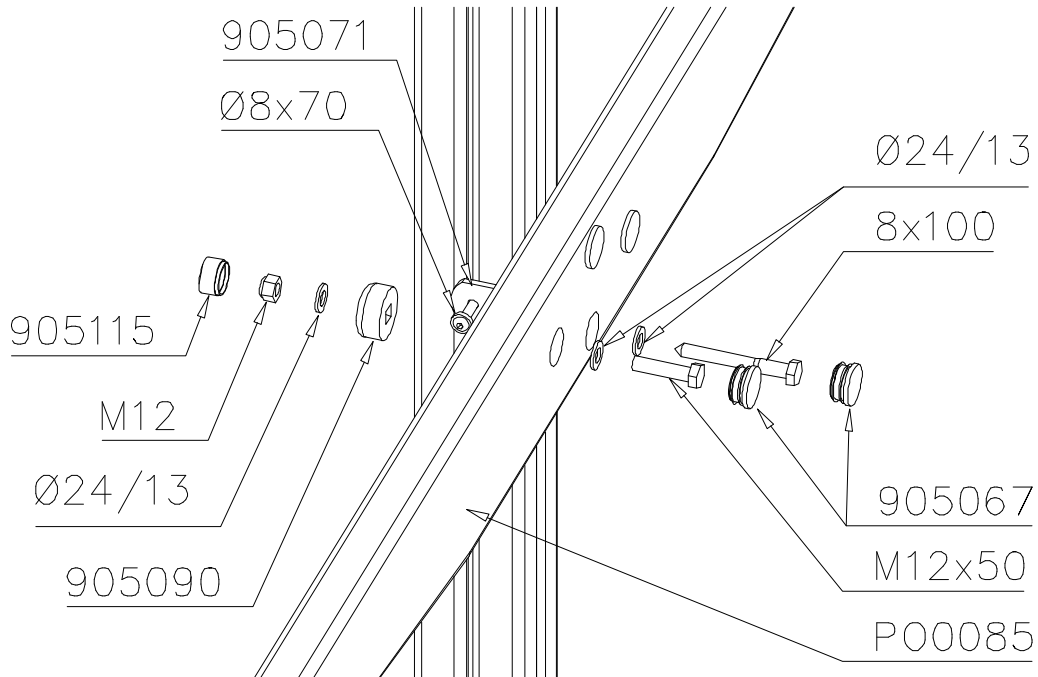
DET 1



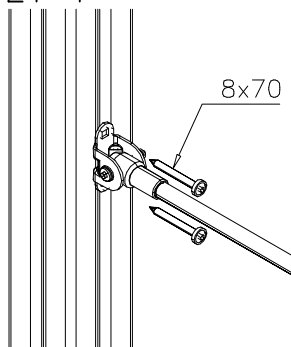
DET 2



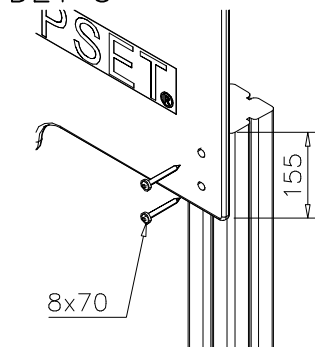
DET 3

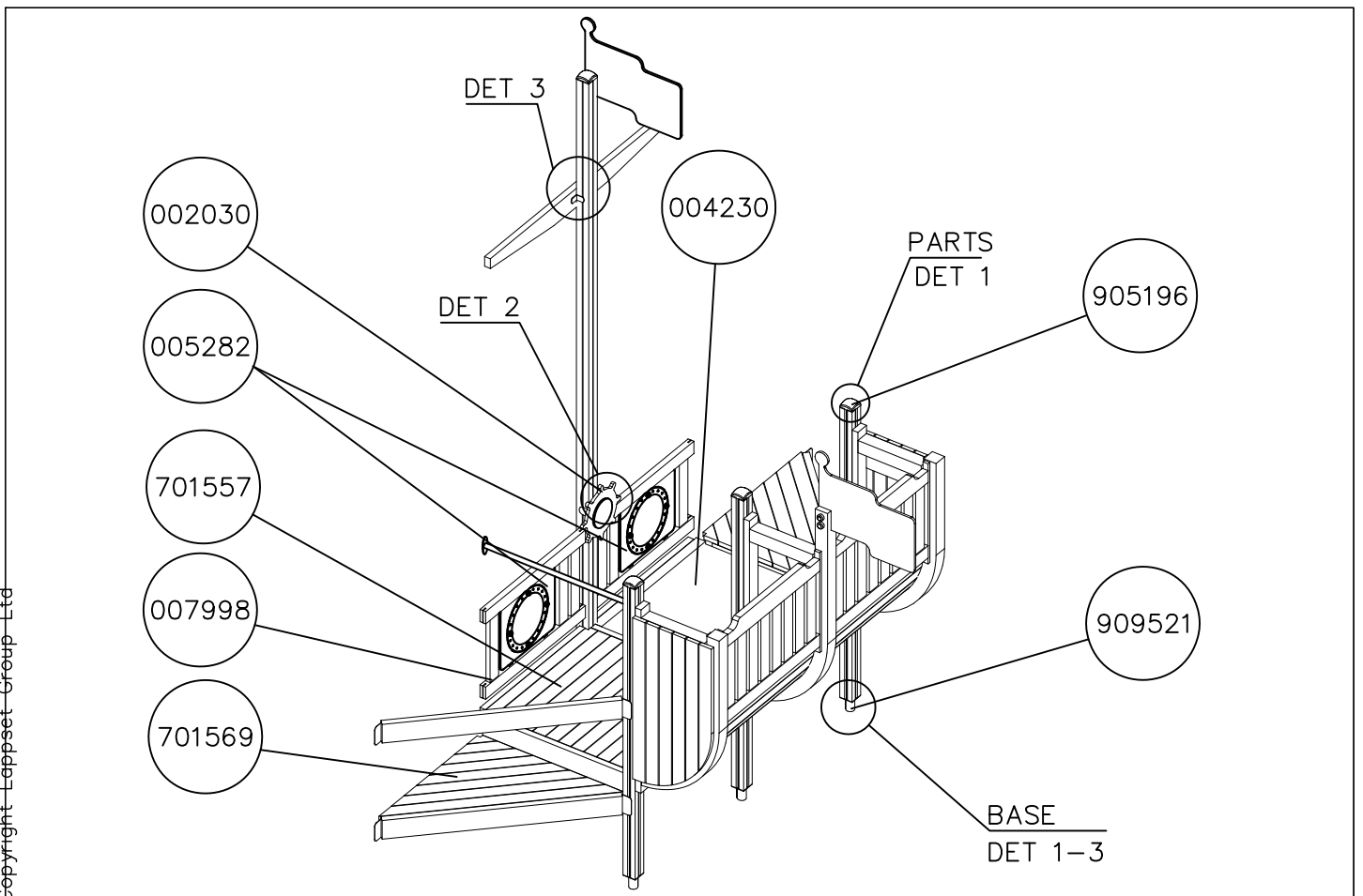
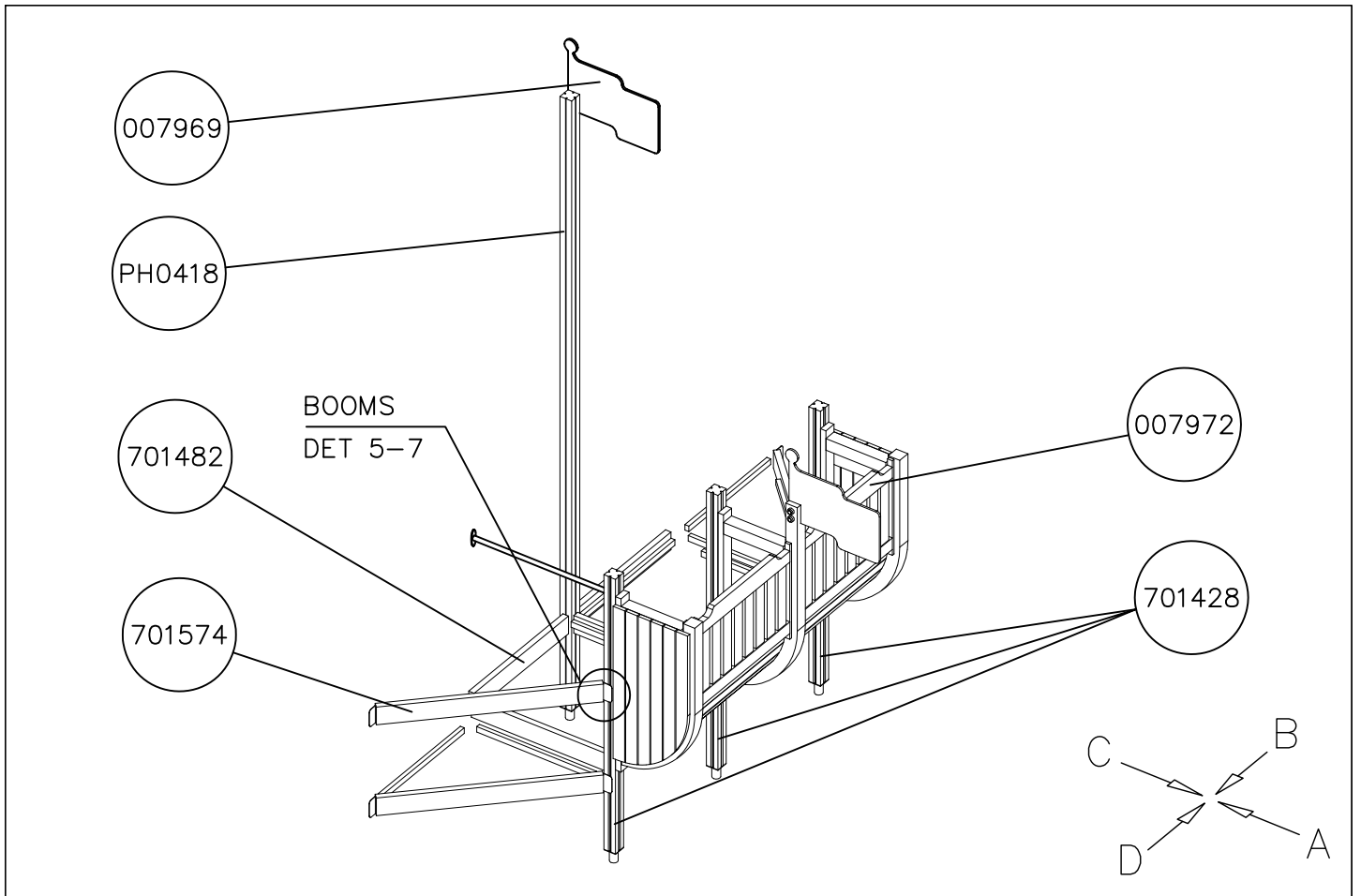


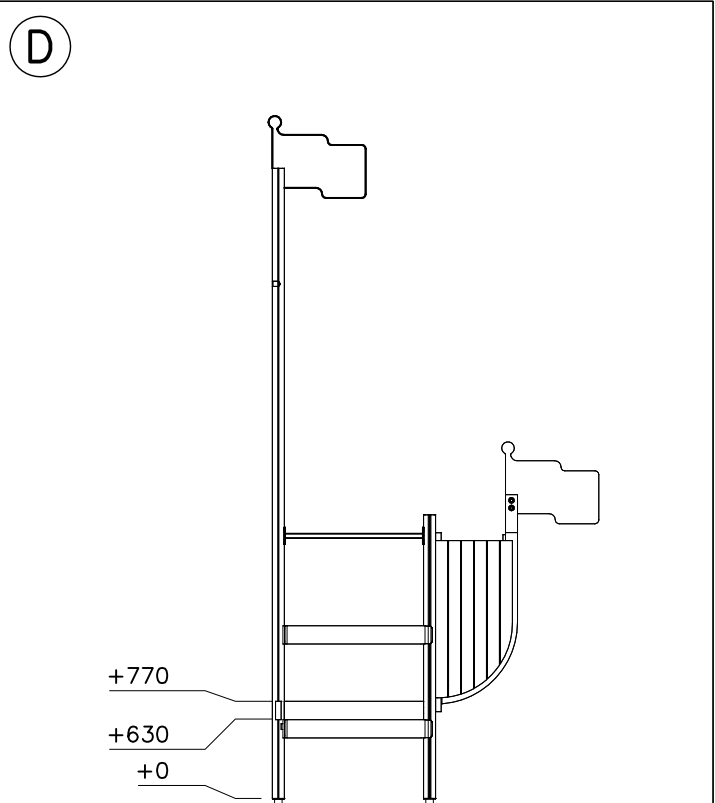
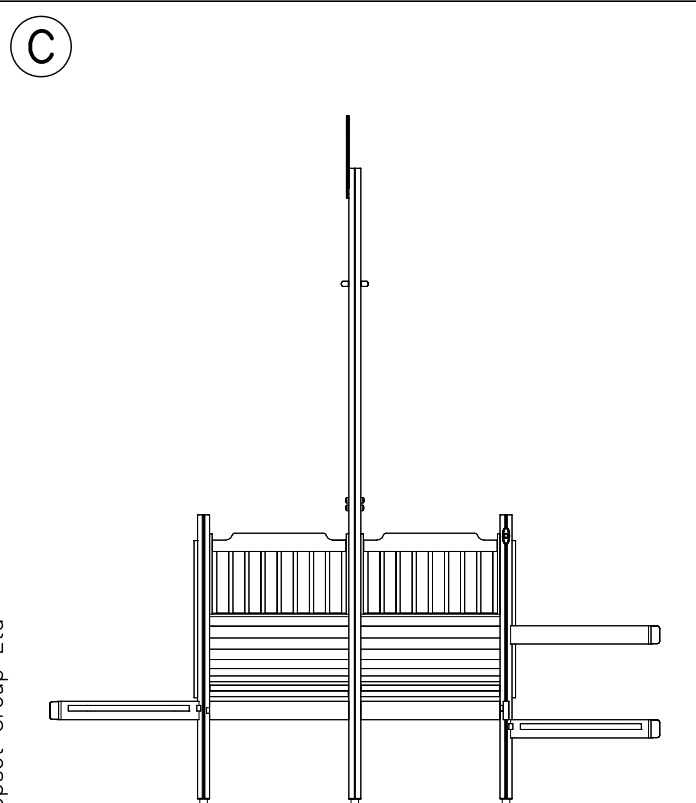
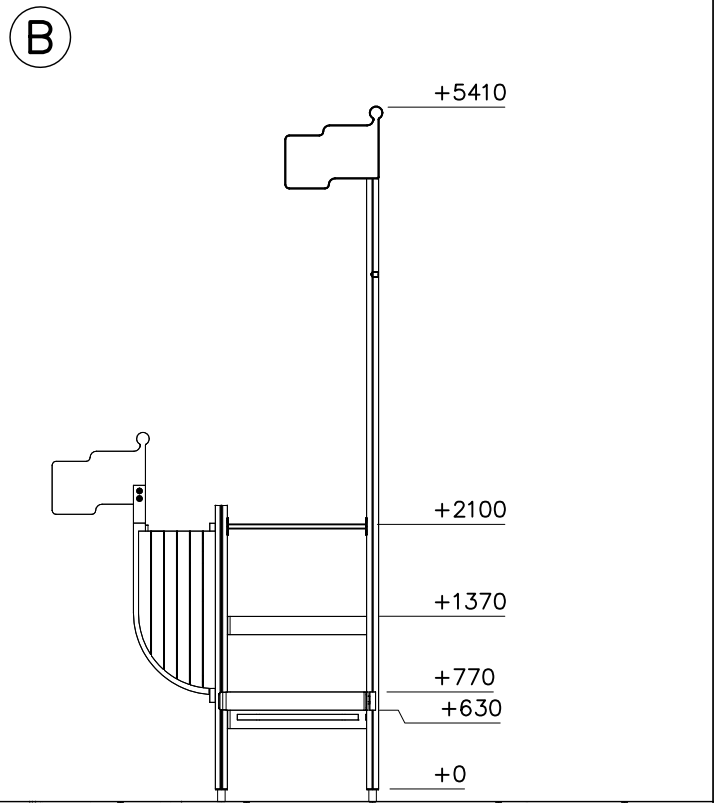
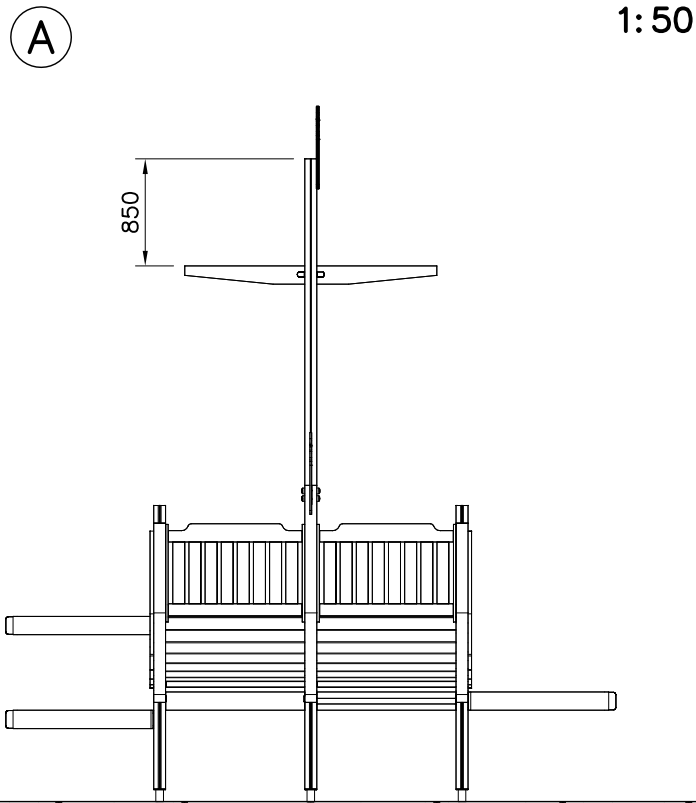
DET 4

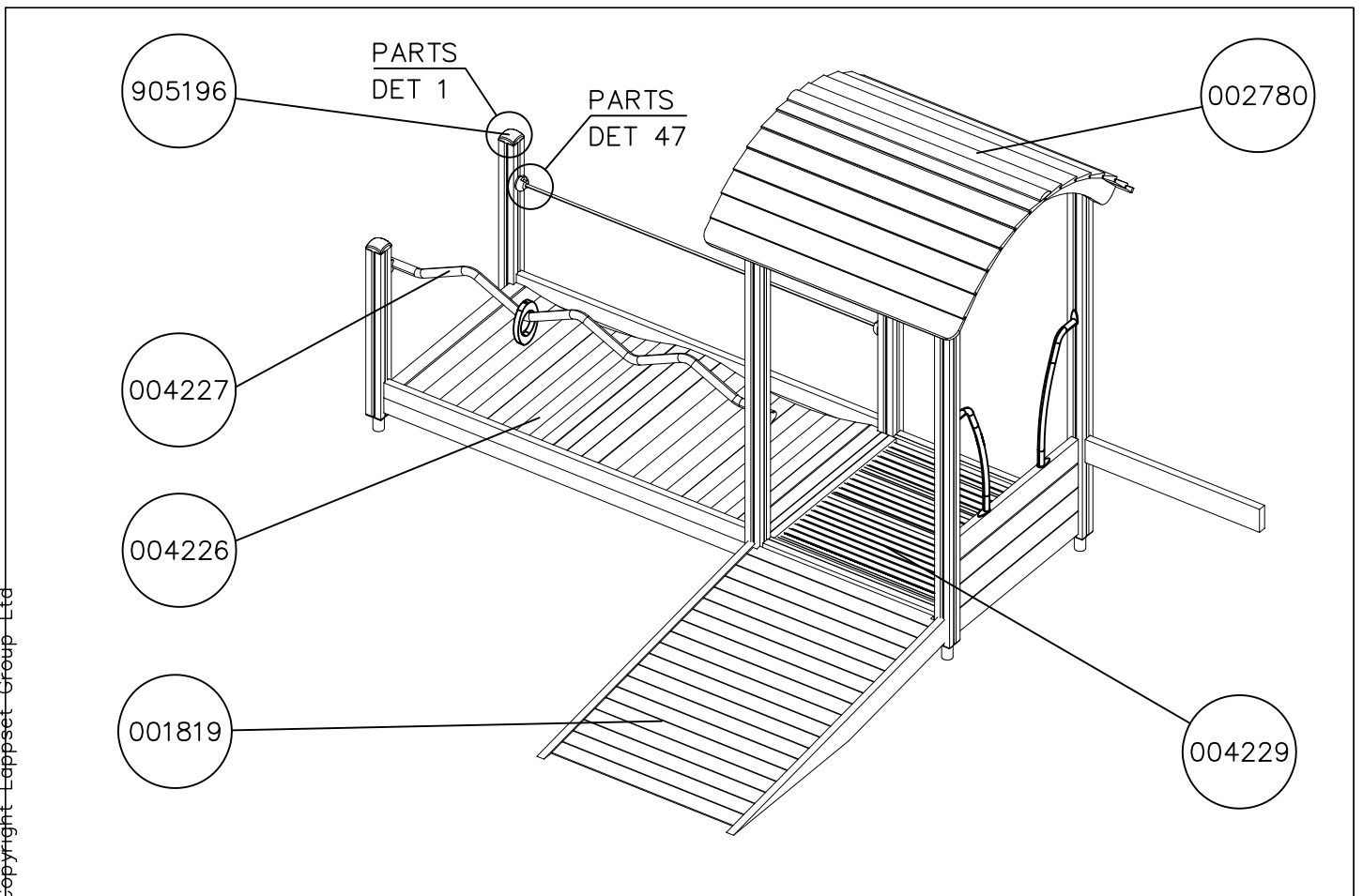
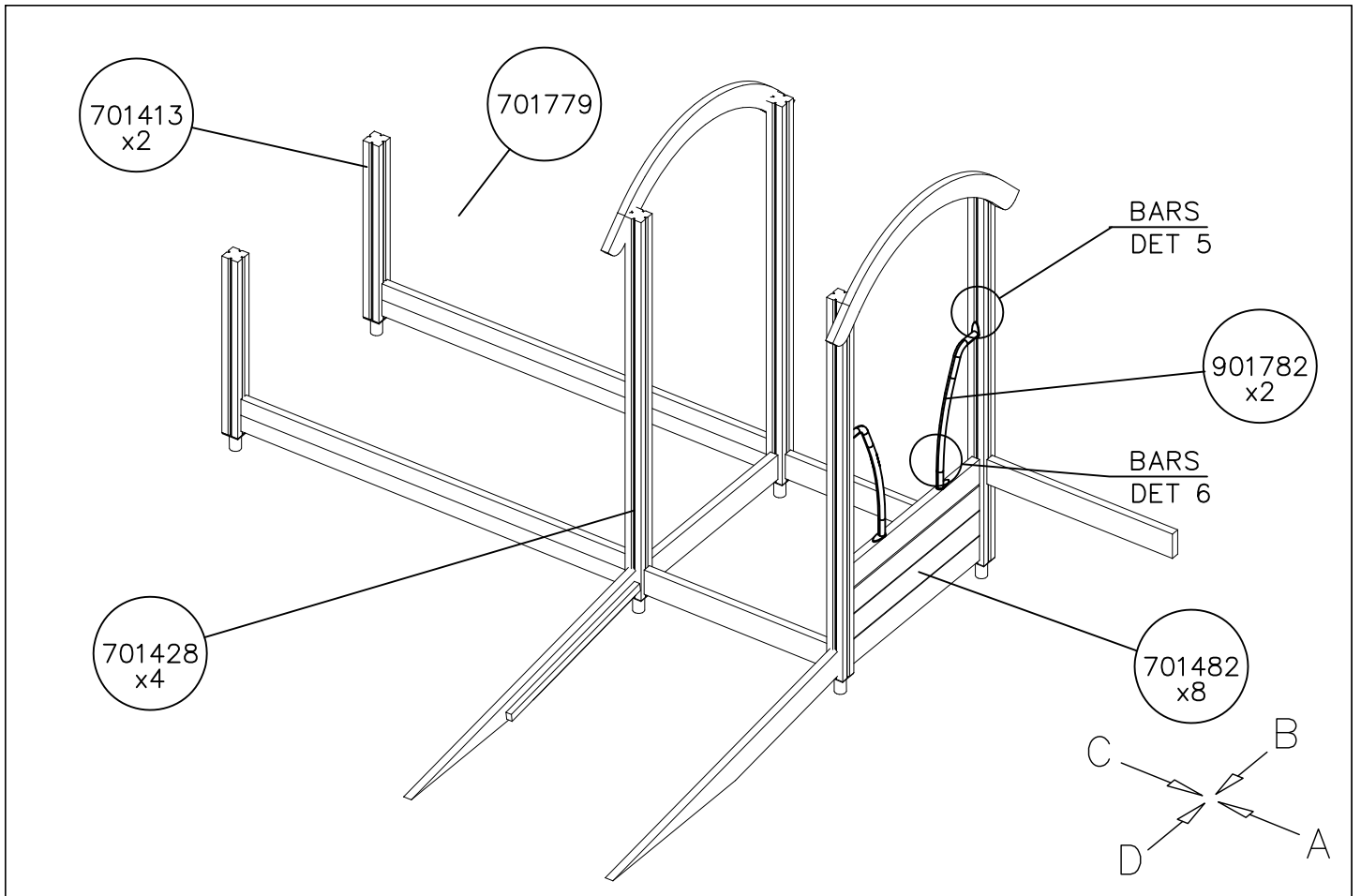


DET 5



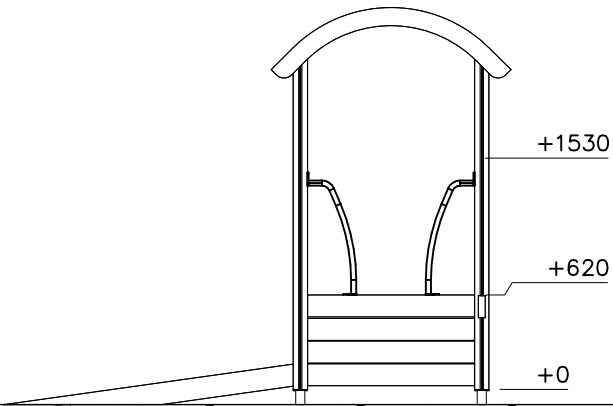




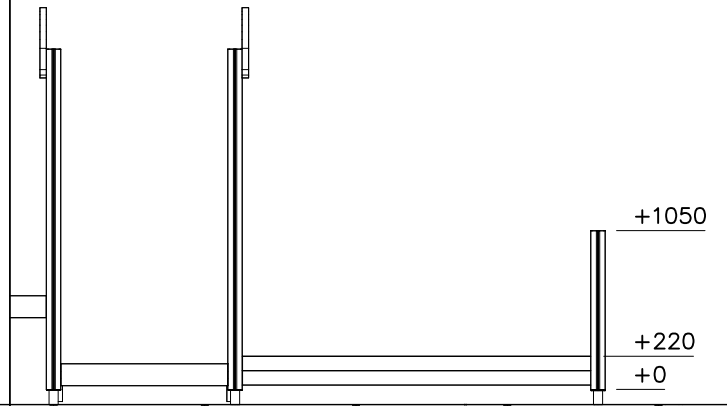


1:50

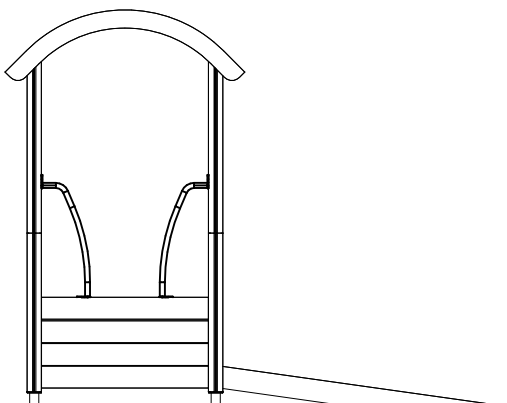
(A)



(B)



(C)



(D)

