

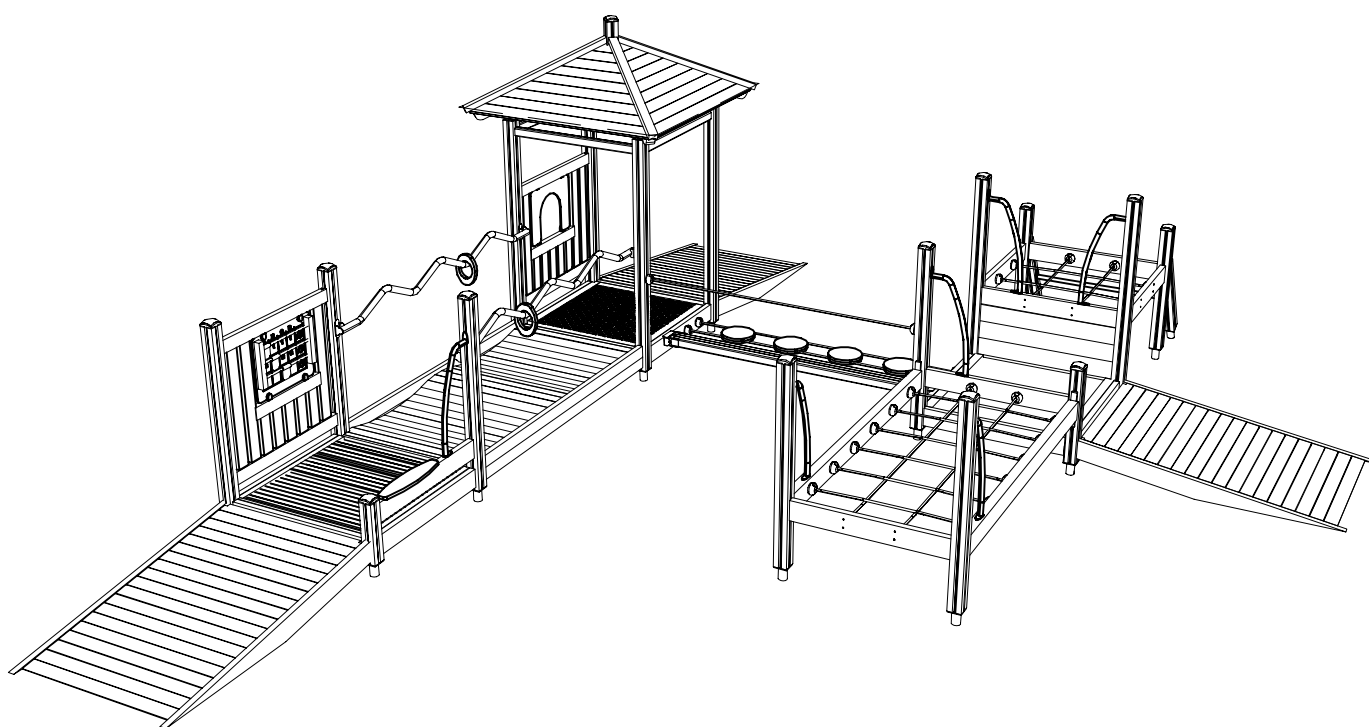
LAPPSET®

FINNO

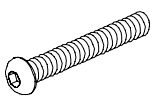
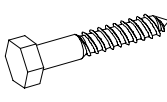
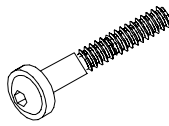
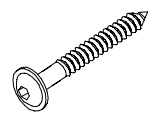
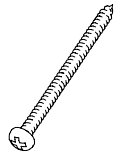

ASENNUSOHJE
MONTERINGSANSVISNING
INSTALLATION INSTRUCTION
AUFBAUANLEITUNG
NOTICE D'INSTALLATION

REF: 120136
DATE: 28.9.2010

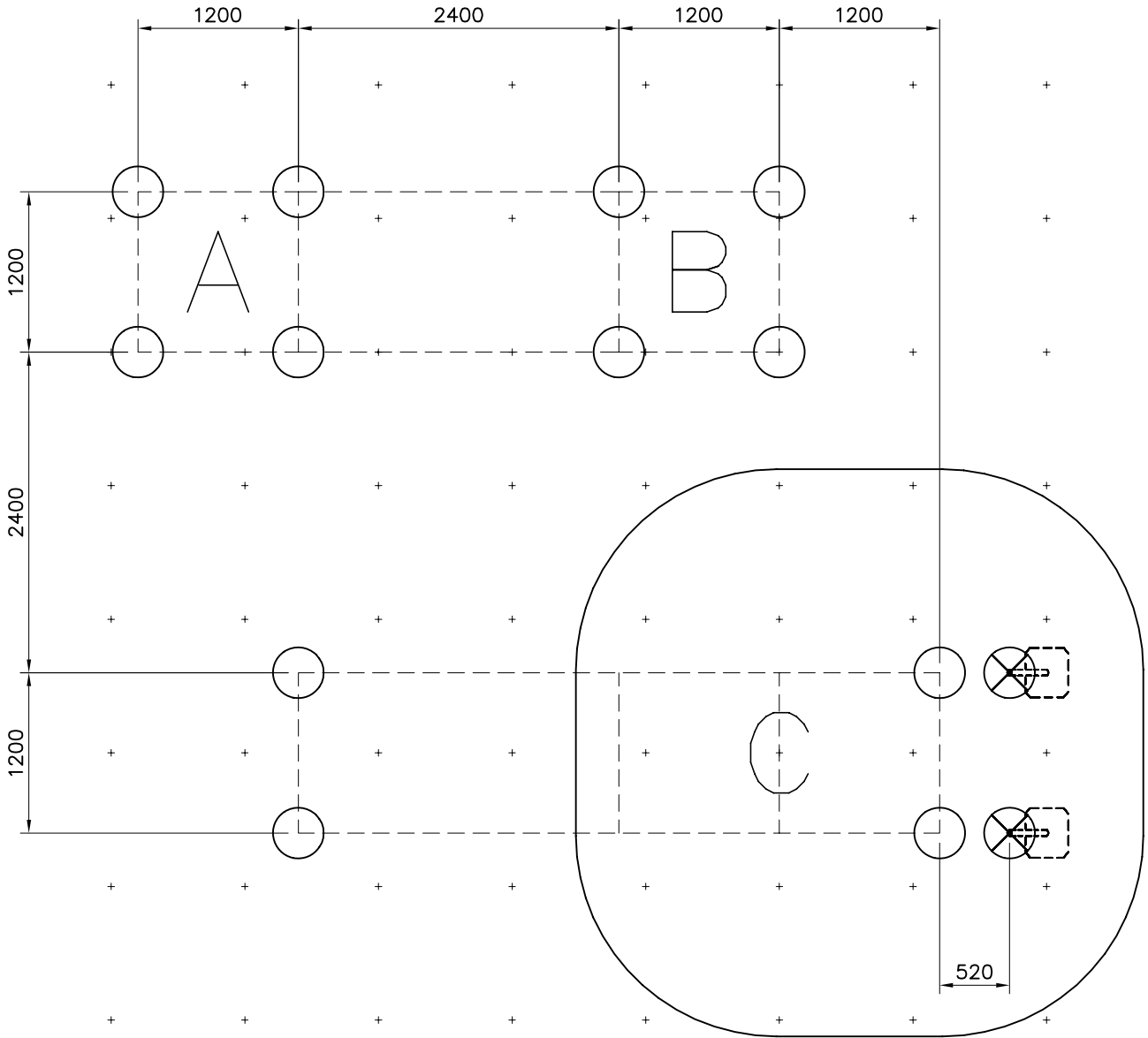
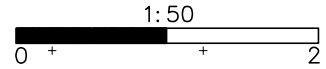
120136



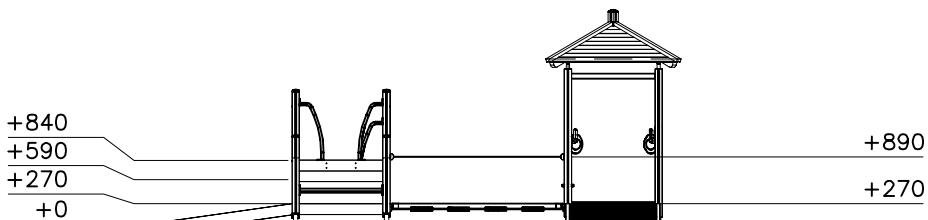
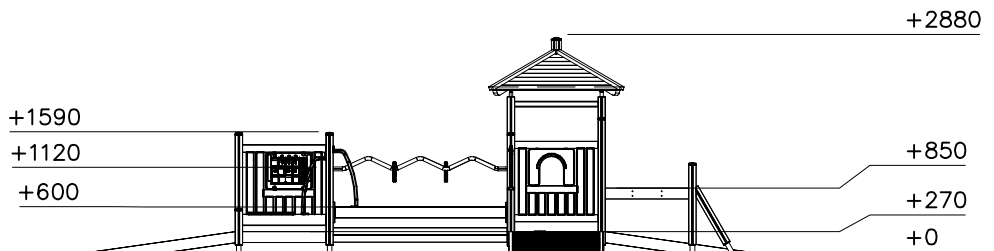
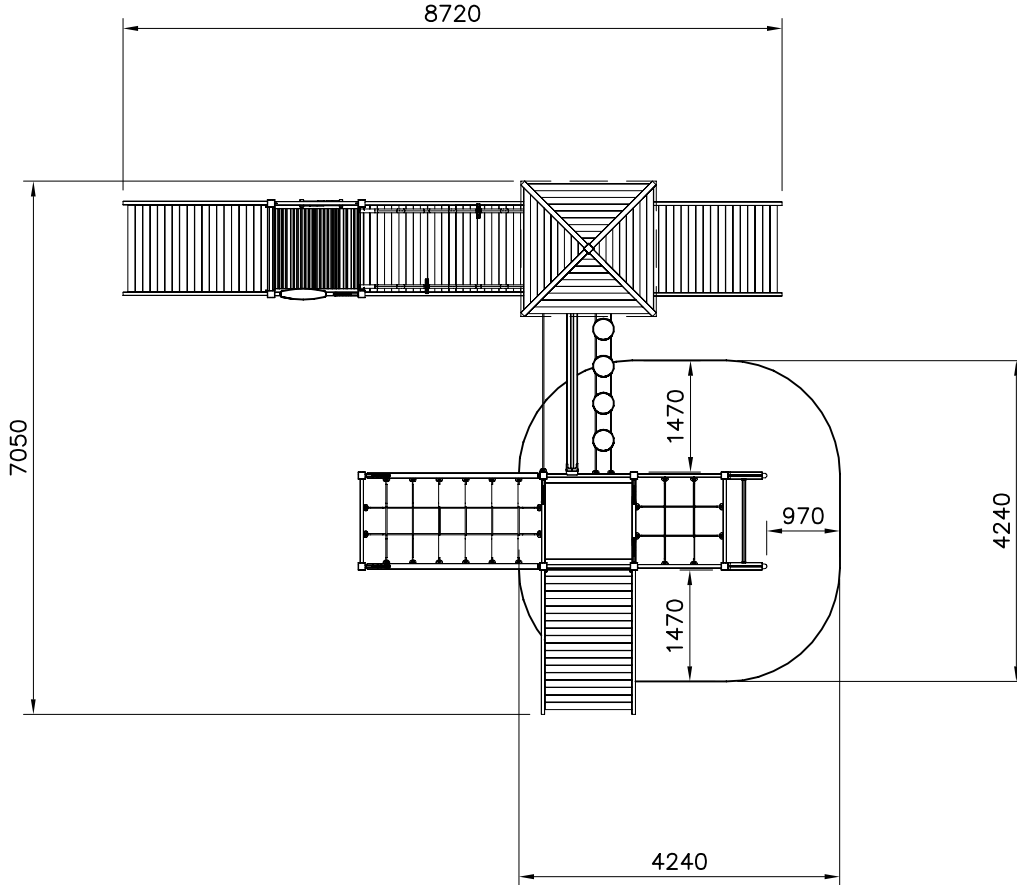
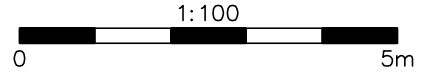
001819	PCS 3	003700	PCS 2	004226	PCS 1	004227	PCS 2	004228	PCS 1	004229	PCS 1
004230	PCS 1	005273	PCS 1	005277	PCS 1	006801	PCS 2	009931	PCS 1	701052	PCS 1
						L 840				20x145x600	
701283	PCS 1	701285	PCS 1	701410	PCS 1	701413	PCS 2	701419	PCS 6	701422	PCS 2
1200x1200		1200x2400		L 450		L 1050		L 1450		L 1650	
701425	PCS 4	701450	PCS 1	701482	PCS 16	701494	PCS 2	701498	PCS 4	701520	PCS 2
L 1950				L 1104		L 1104		L1104		L 2260	
701753	PCS 1	701779	PCS 1	900240	PCS 20	901782	PCS 6	901785	PCS 1	905051	PCS 108
				8x70				L 1104		Ø25	
905102	PCS 8	905103	PCS 24	905104	PCS 72	905138	PCS 12	905196	PCS 12	909117	PCS 24
SR-H-2040		PT-28/32-H		M10		GREY		GREY		M8x100	
909231	PCS 2	909233	PCS 2	909238	PCS 88	909521	PCS 18	909578	PCS 4	909638	PCS 8
8x130		8x100		8x90						Ø20/10.5	

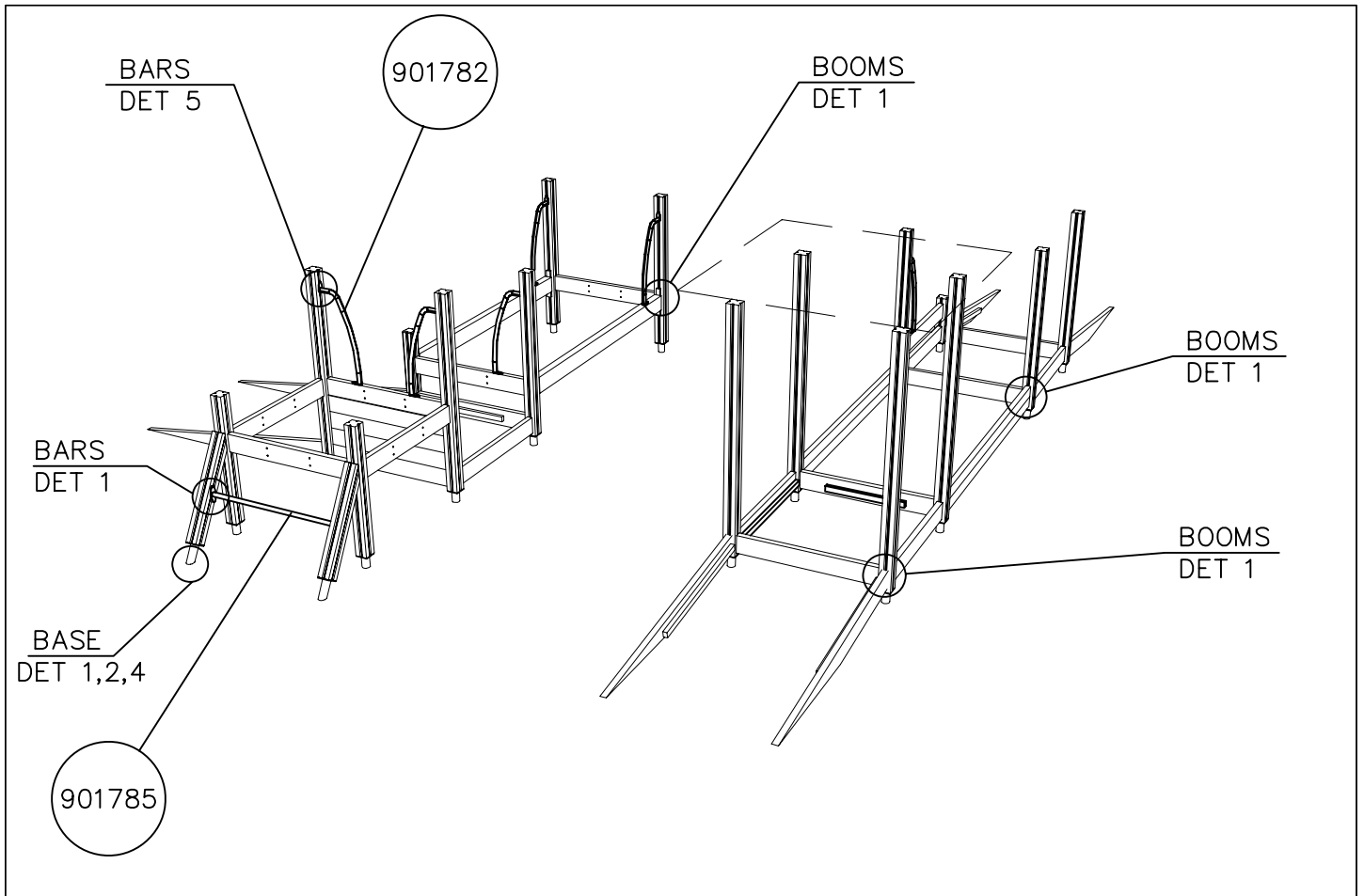
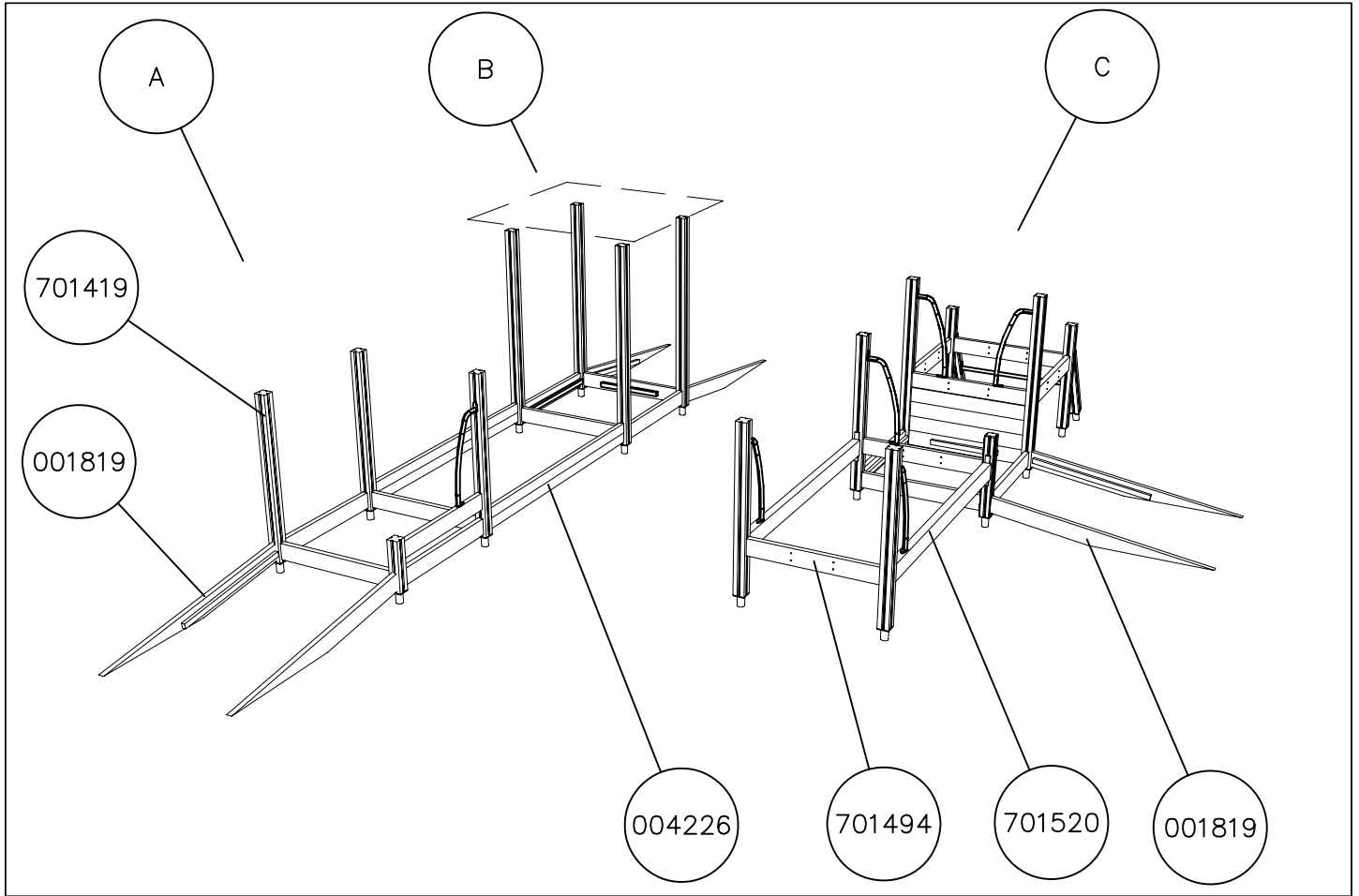
909851  M8x55	PCS 16	909862  10x60	PCS 8	909867  M8x70	PCS 8	980123  Ø6x60	PCS 4	980131  6x60	PCS 48	980150  M8	PCS 48
	PCS		PCS		PCS		PCS		PCS		PCS
	PCS		PCS		PCS		PCS		PCS		PCS
	PCS		PCS		PCS		PCS		PCS		PCS
	PCS		PCS		PCS		PCS		PCS		PCS
	PCS		PCS		PCS		PCS		PCS		PCS
	PCS		PCS		PCS		PCS		PCS		PCS

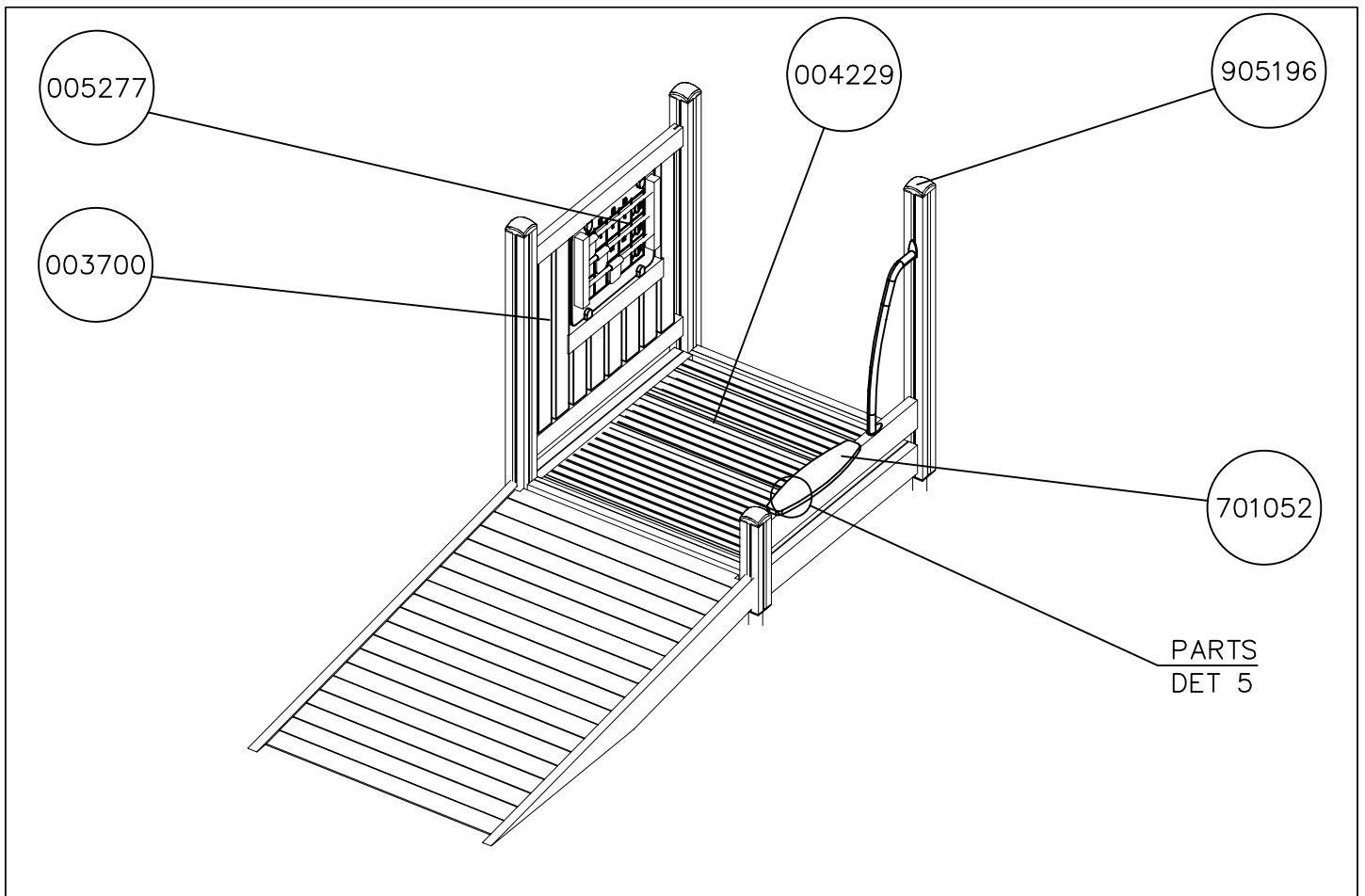
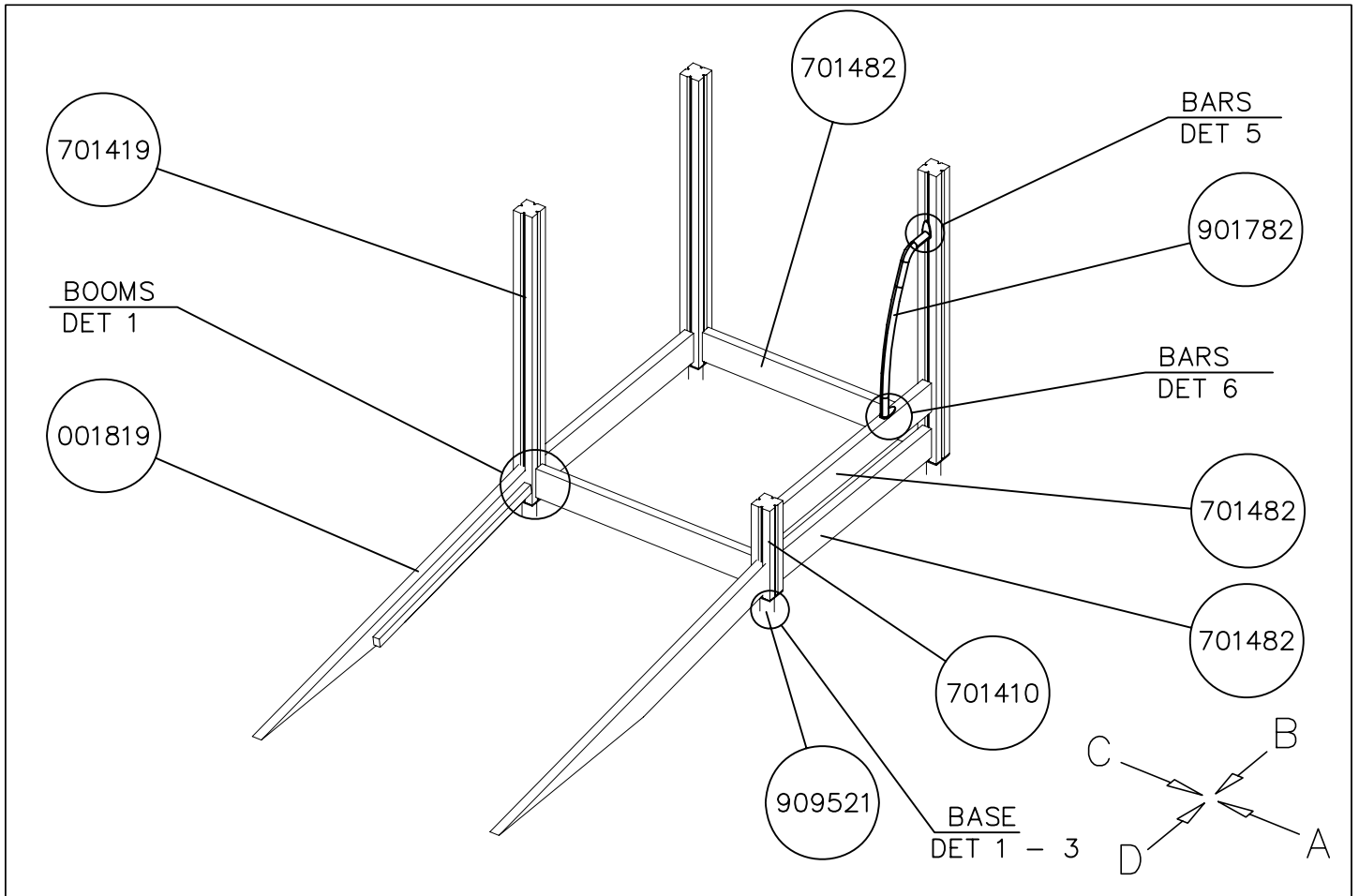
EN Impact Area 16.1 m²
Grid size = 1000 mm.



EN Impact Area 16.1 m²
 Max falling height 850 mm.



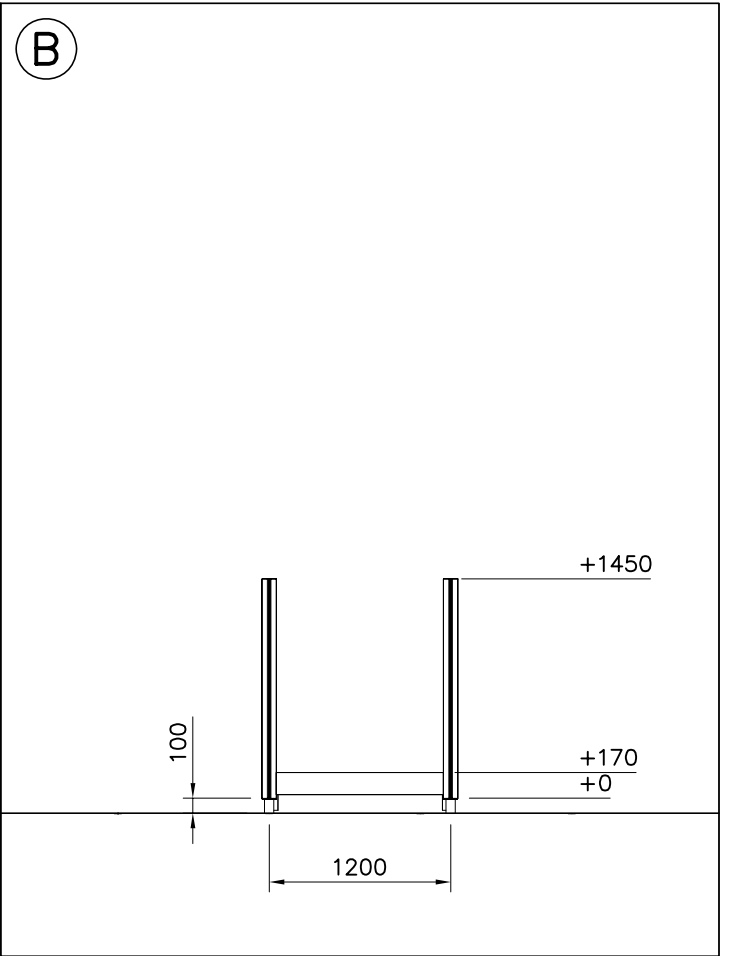
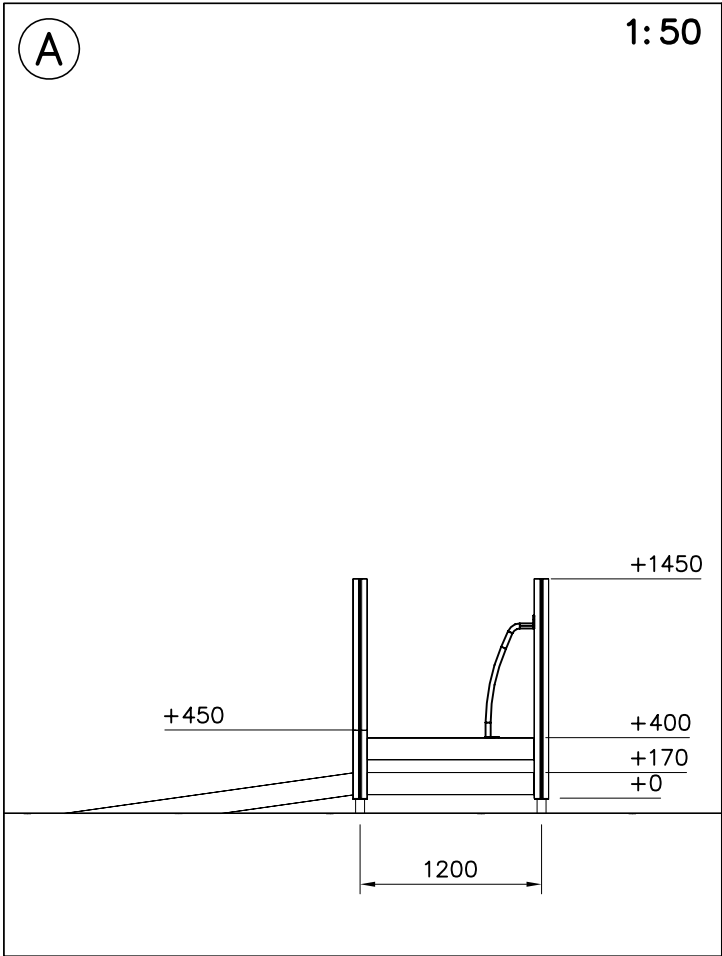




1:50

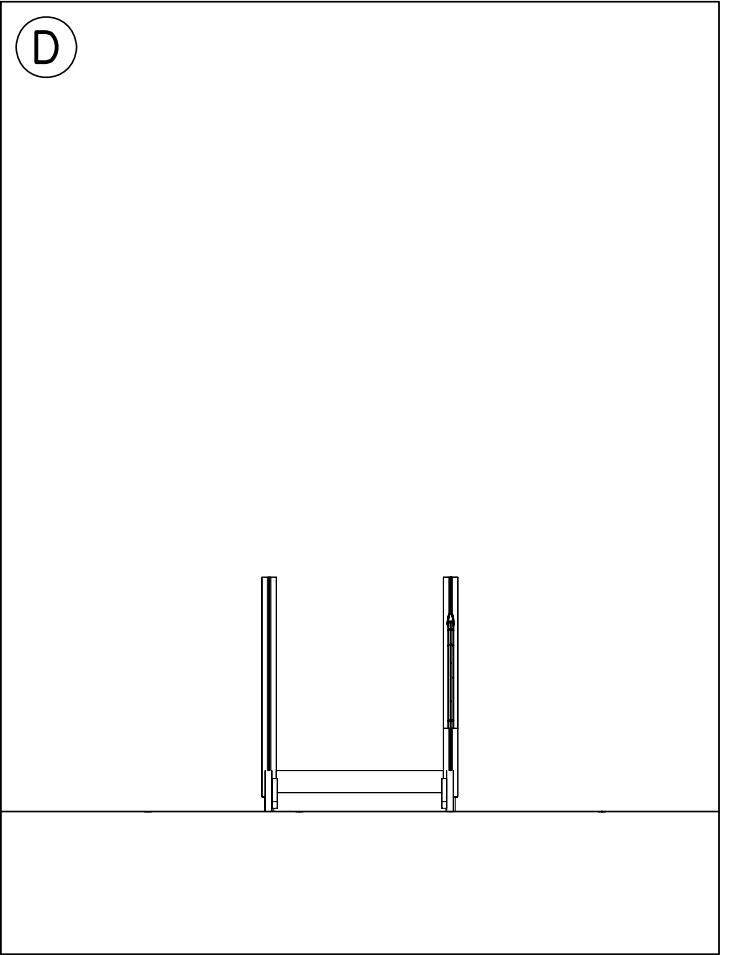
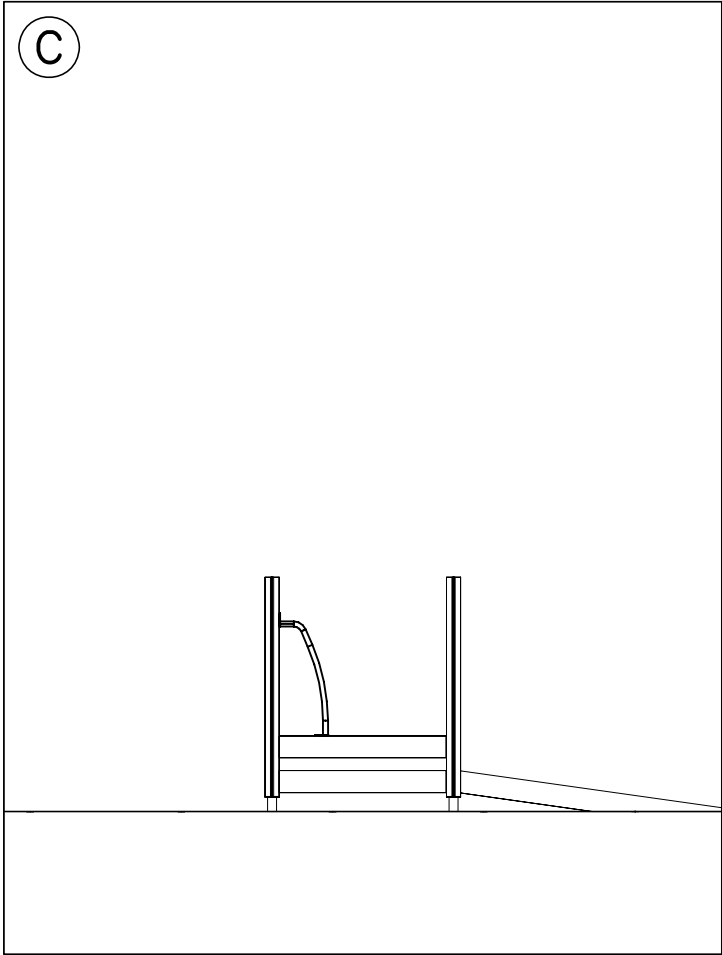
A

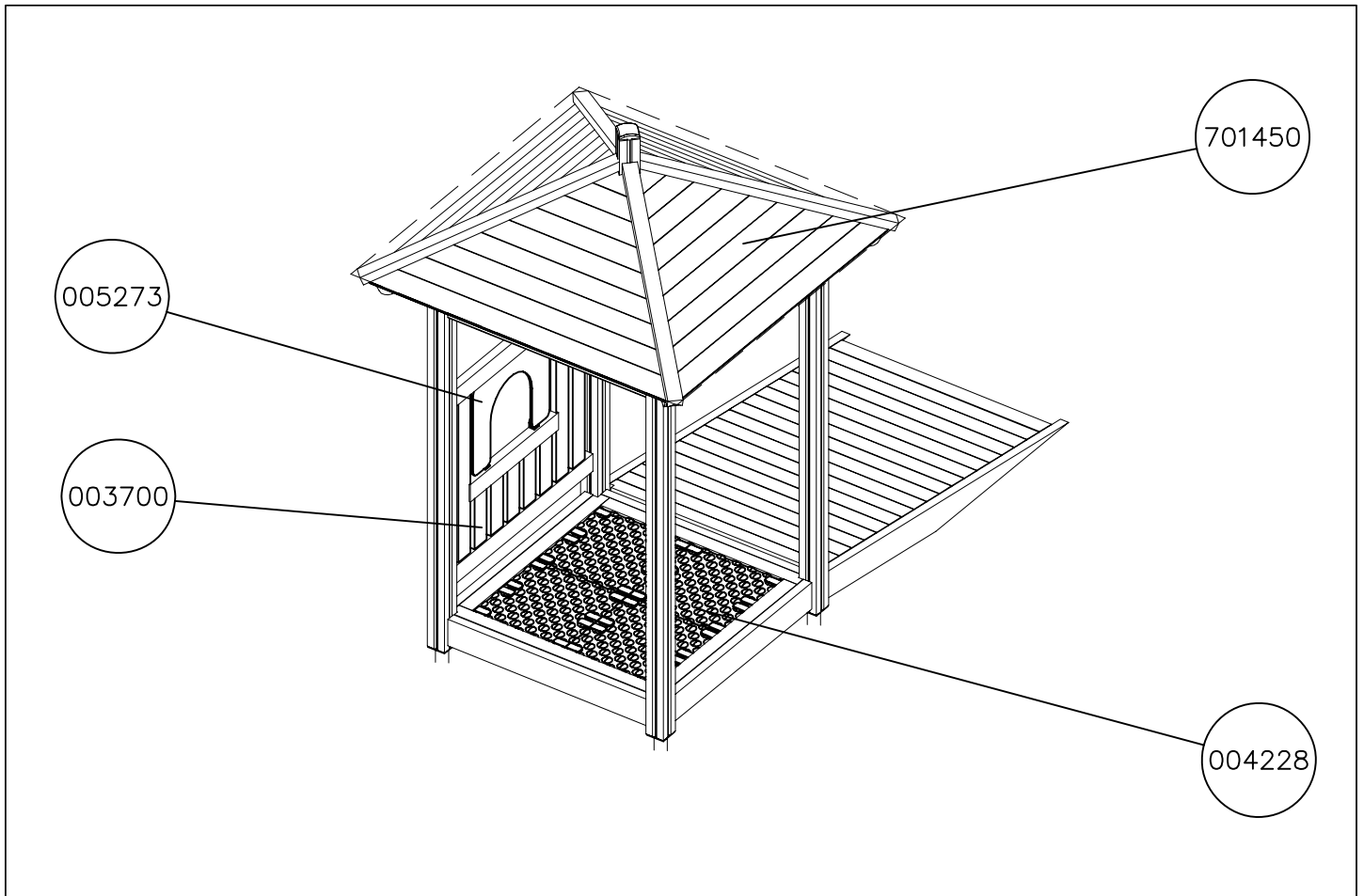
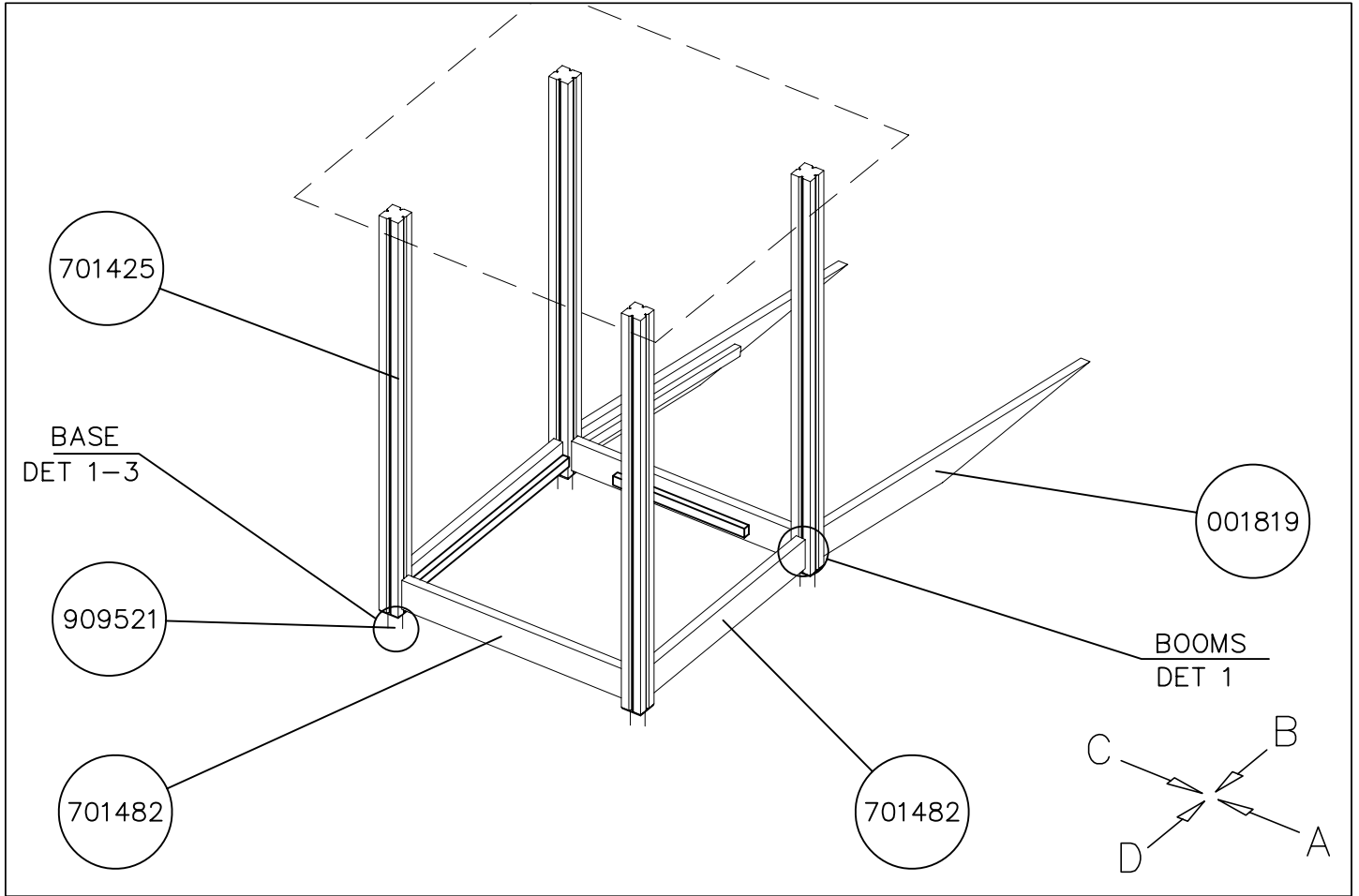
B



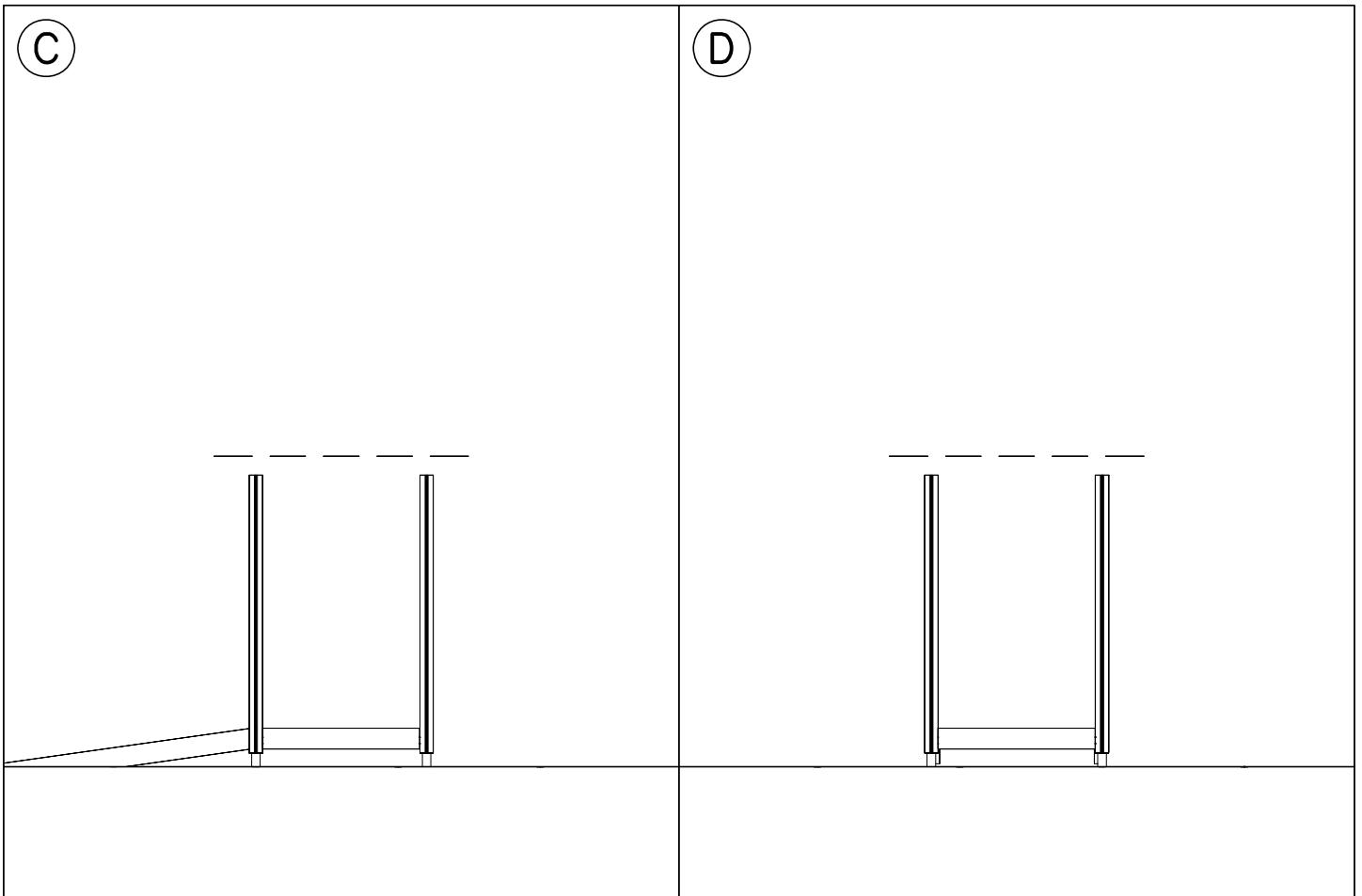
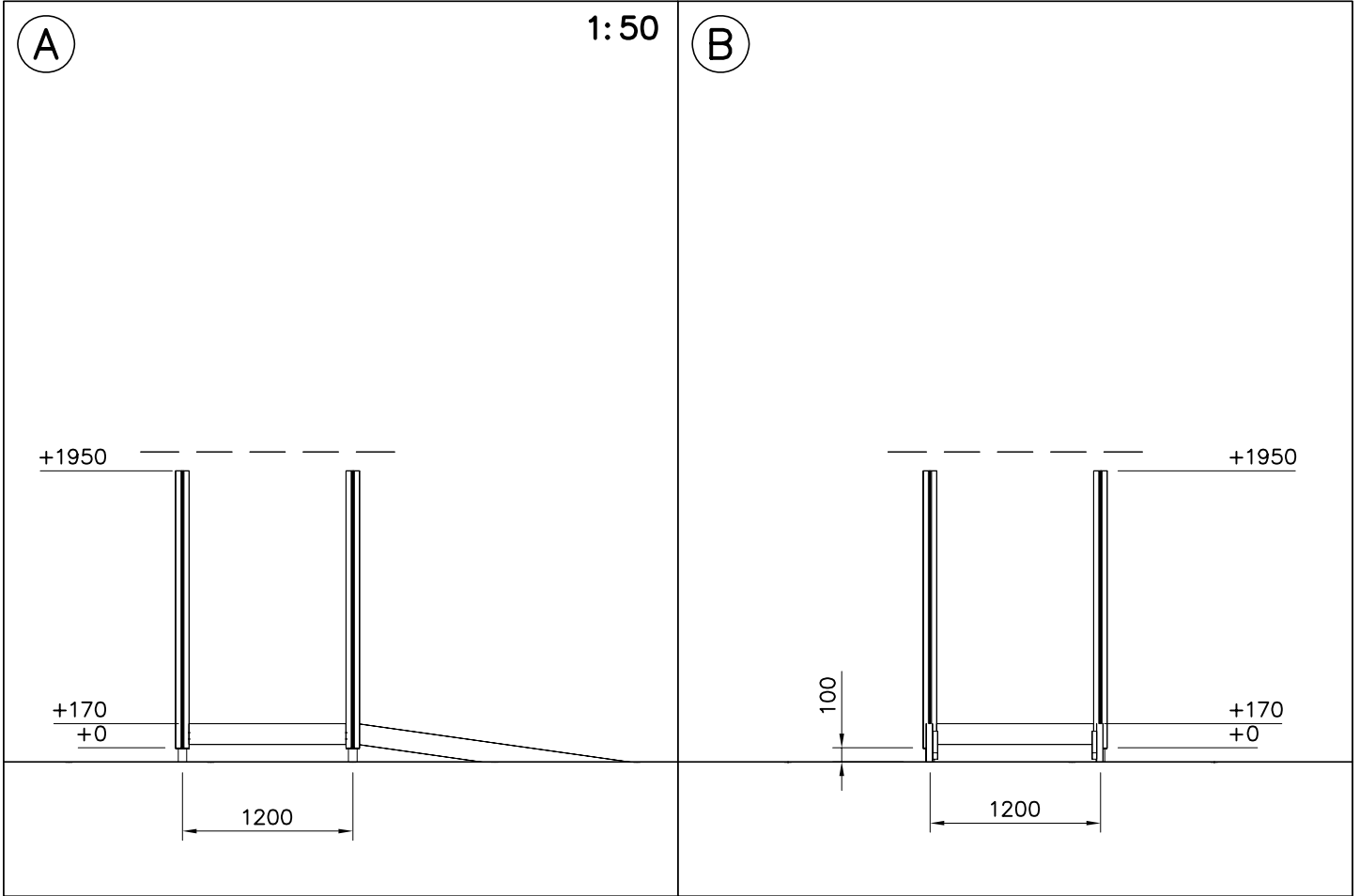
C

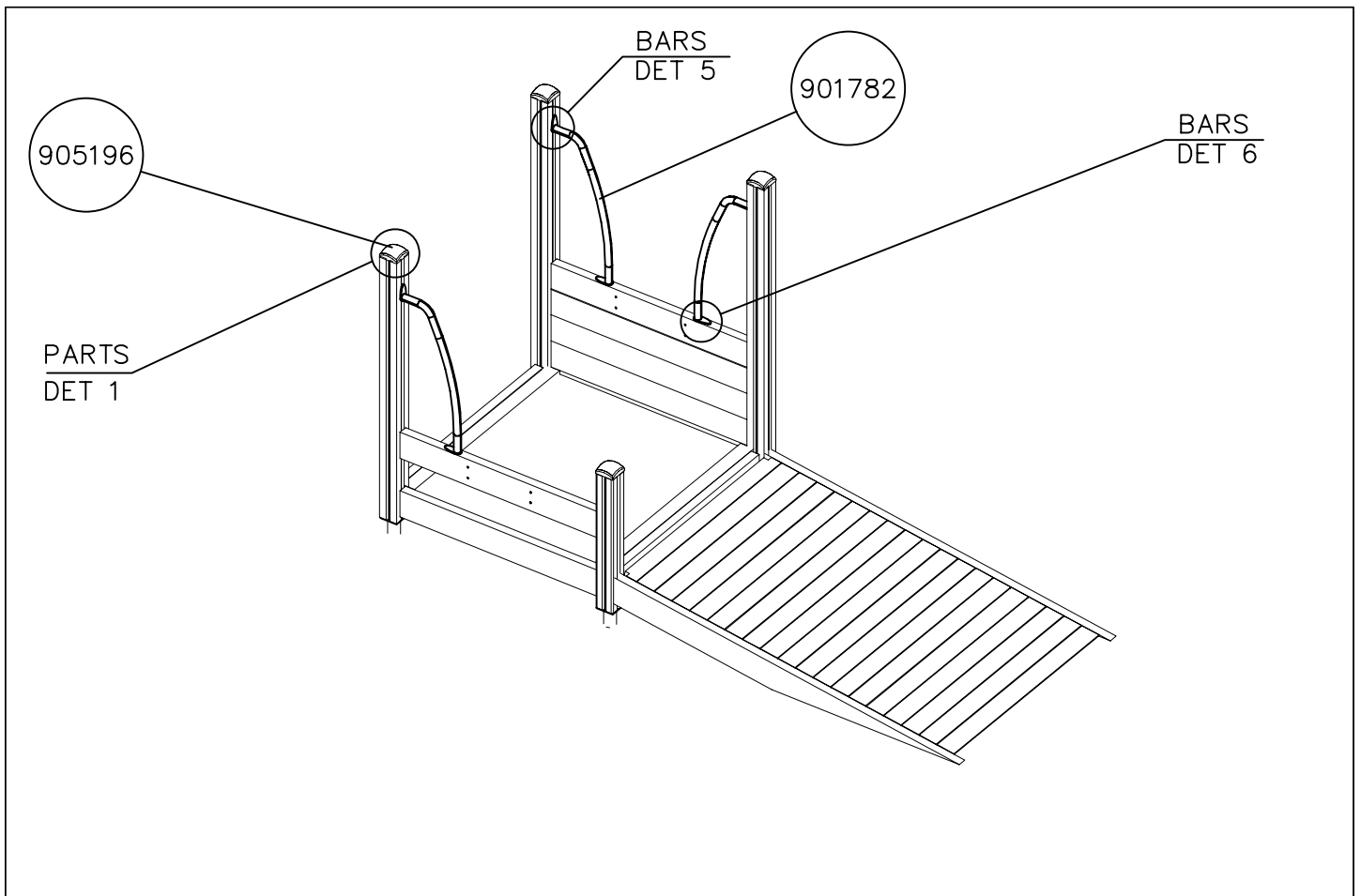
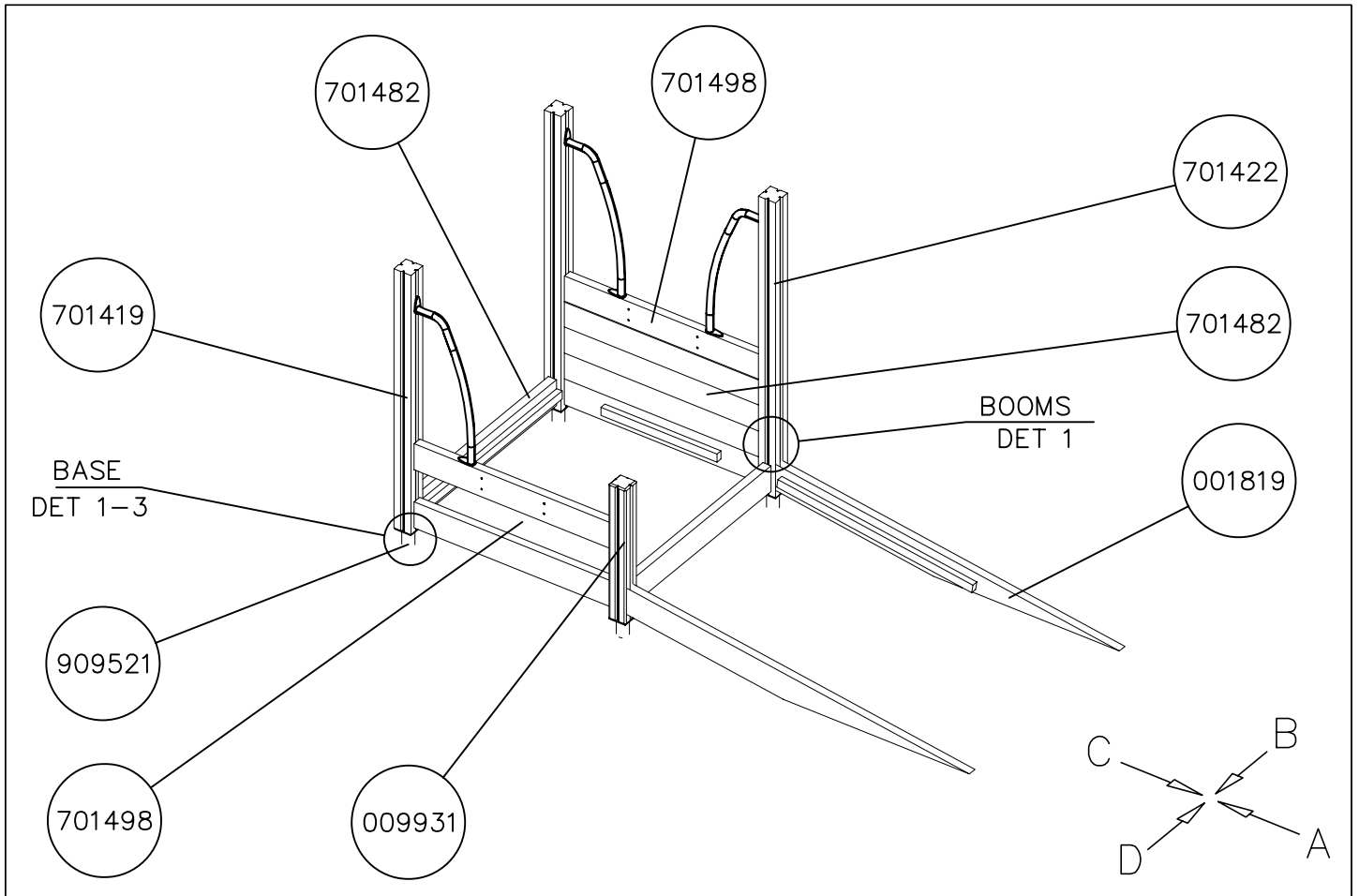
D





1:50

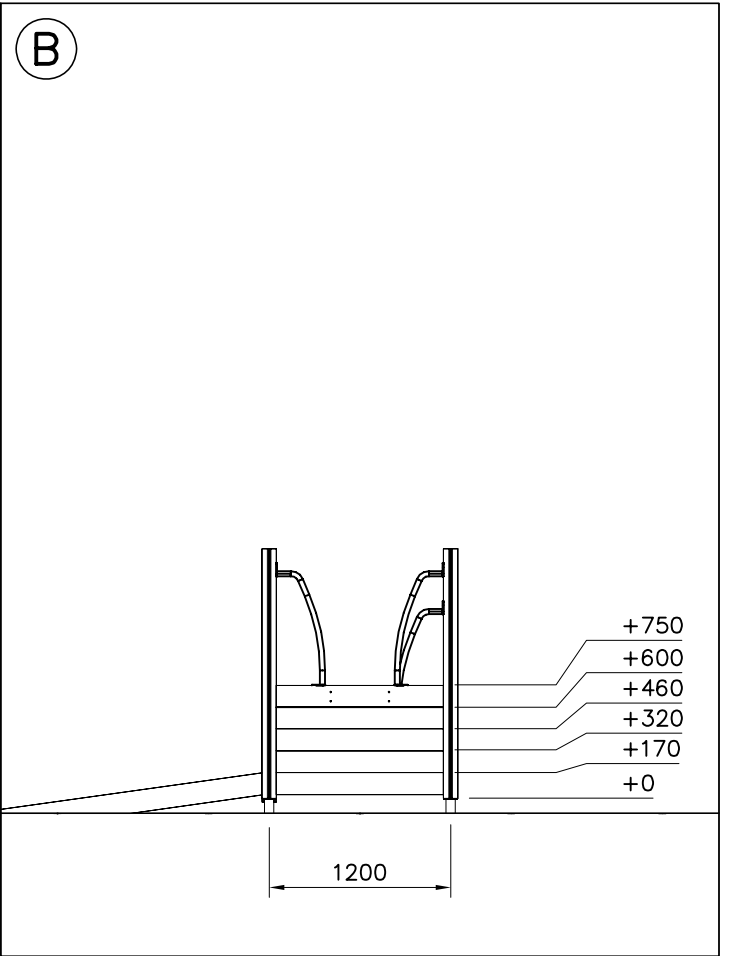
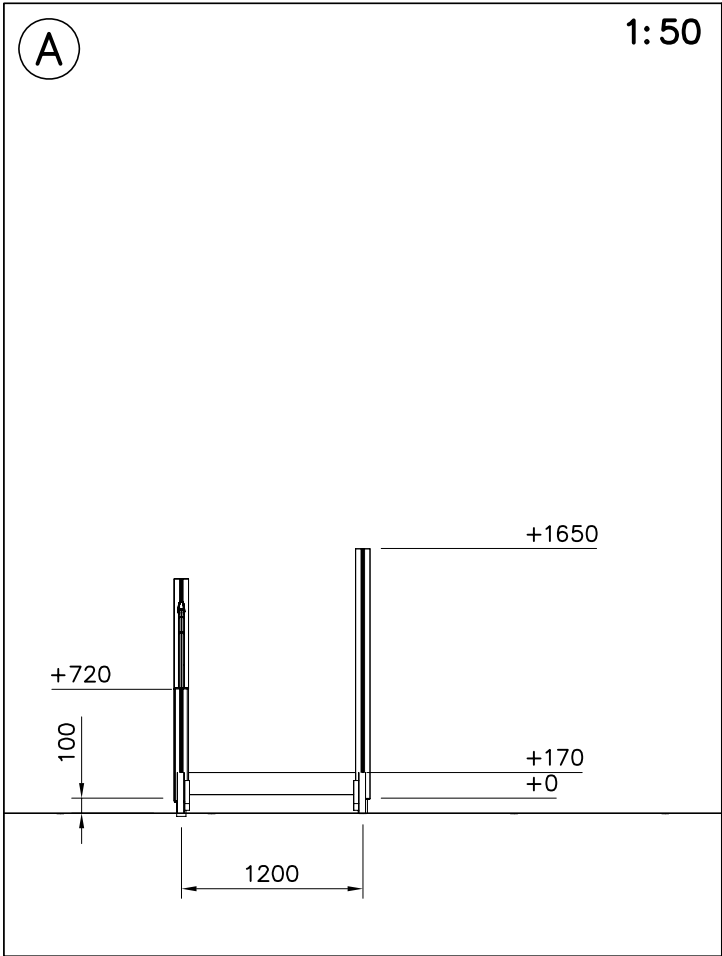




1:50

(A)

(B)



(C)

(D)

