

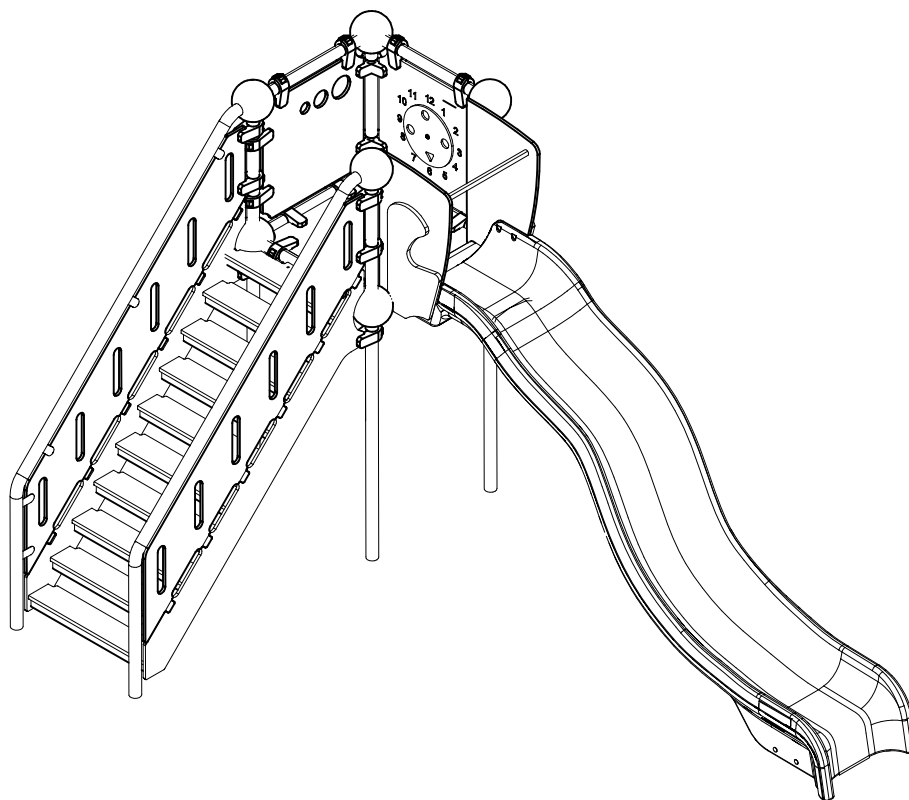
LAPPSET®

CLOXX


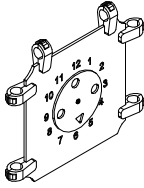
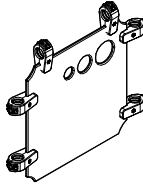
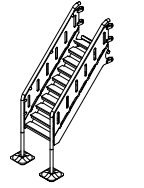
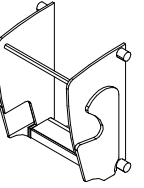
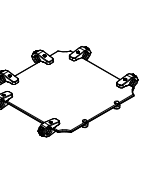
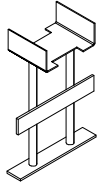
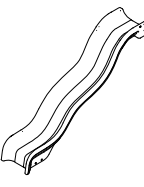
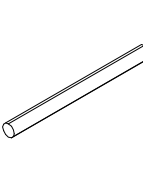
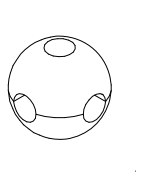
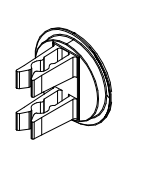
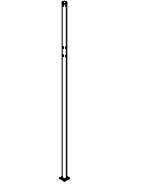

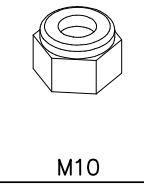
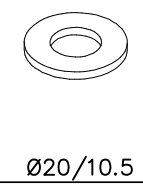
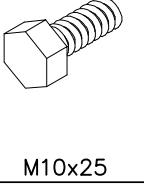
ASENNUSOHJE
MONTERINGSANSVISNING
INSTALLATION INSTRUCTION
AUFBAUANLEITUNG
NOTICE D'INSTALLATION

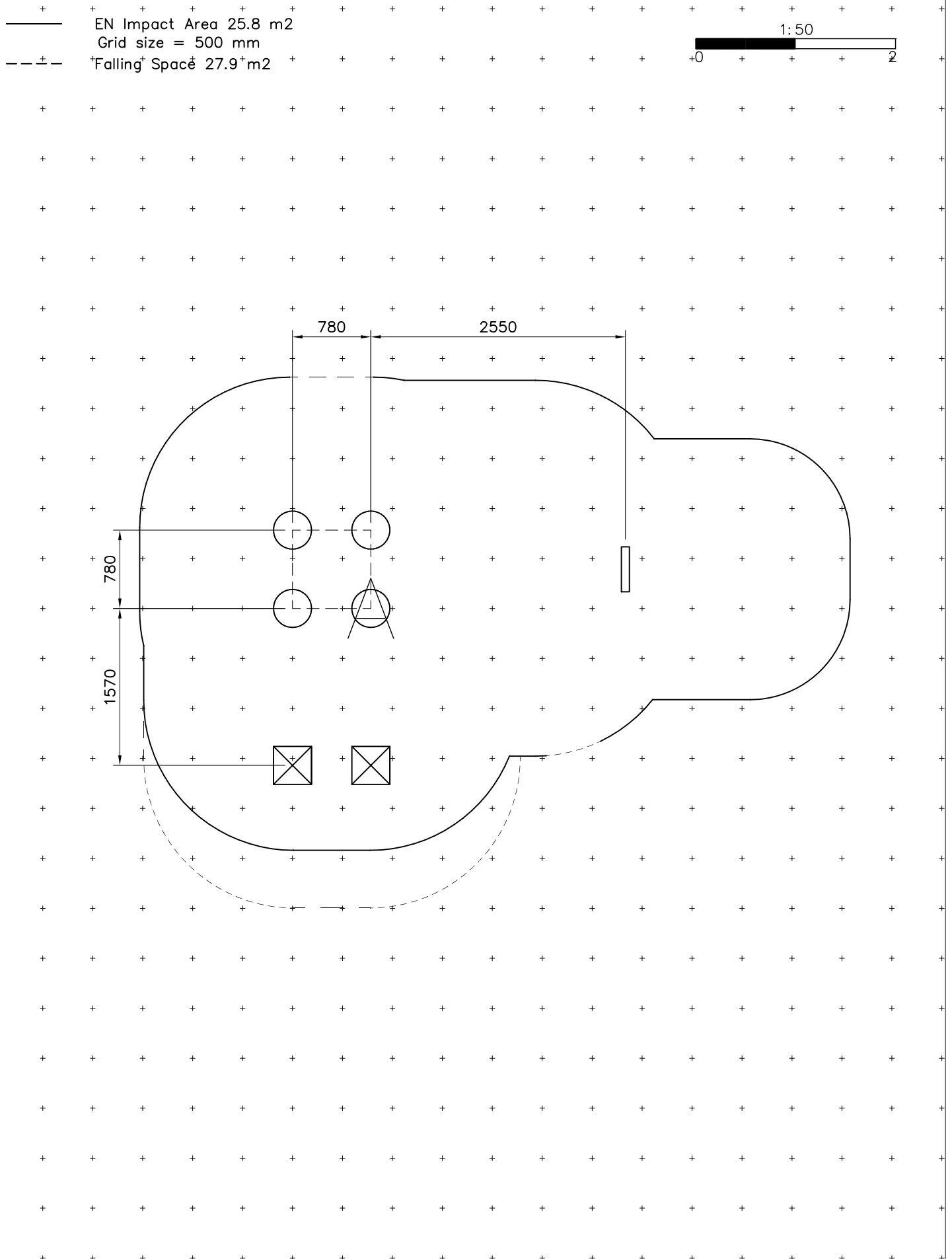
DATE: 20.3.2015

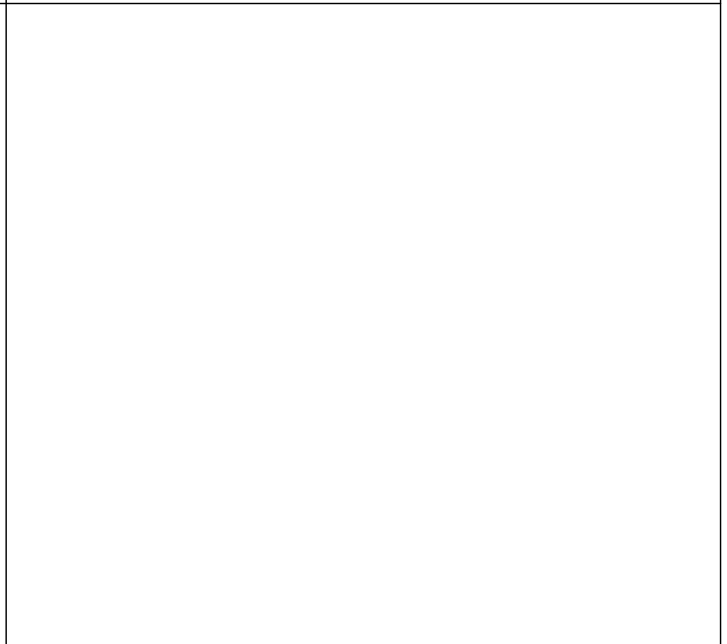
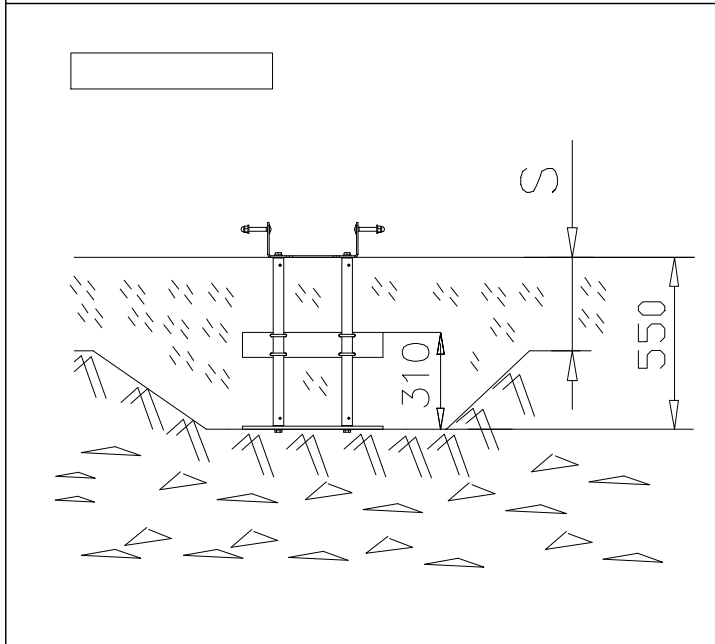
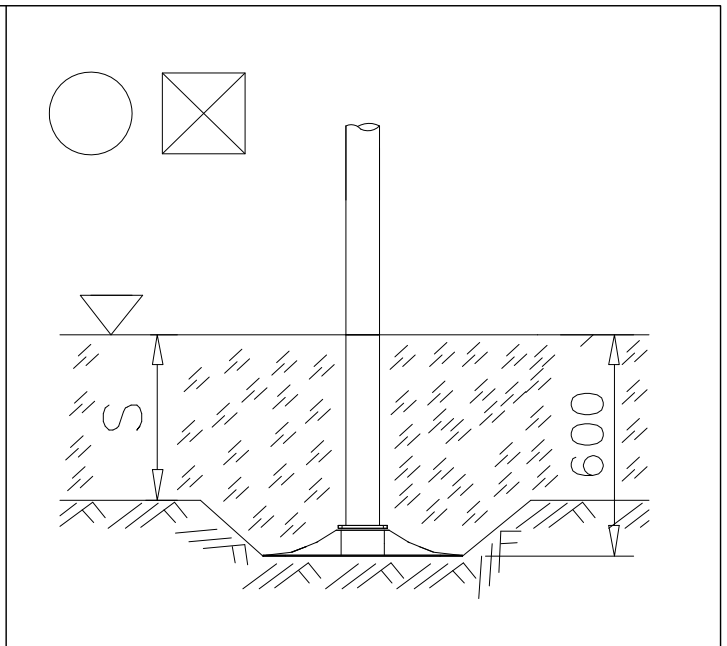
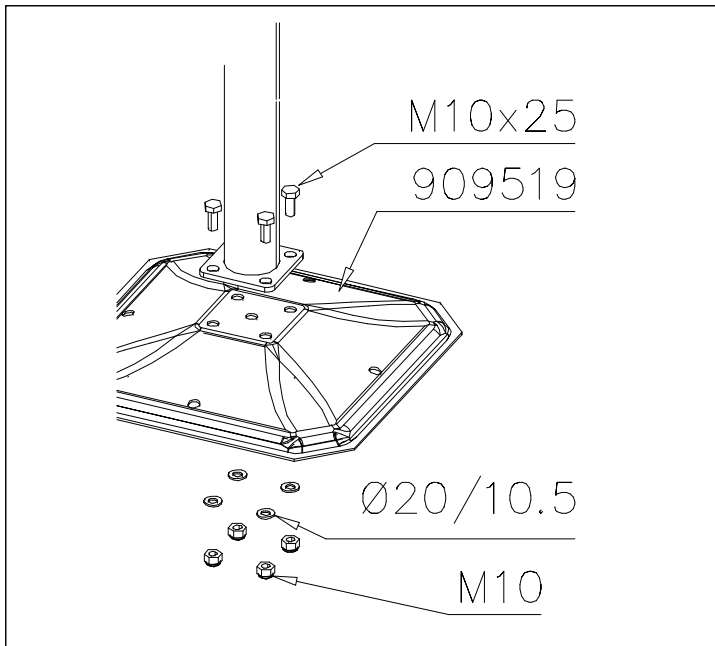
220306



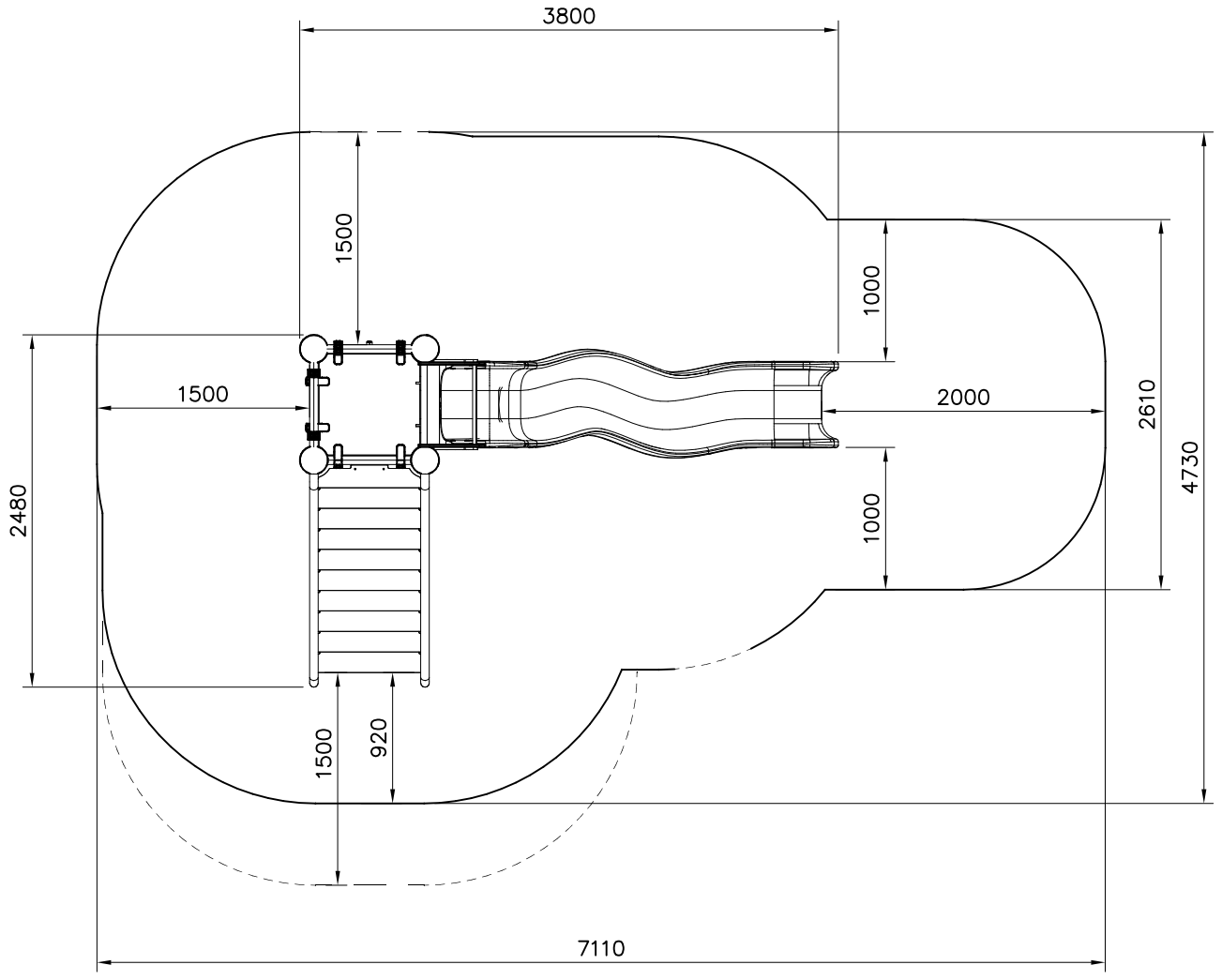
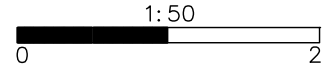
DATE: 20.3.2015

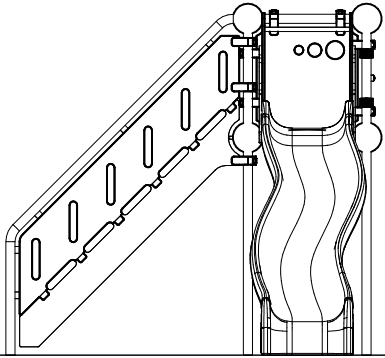
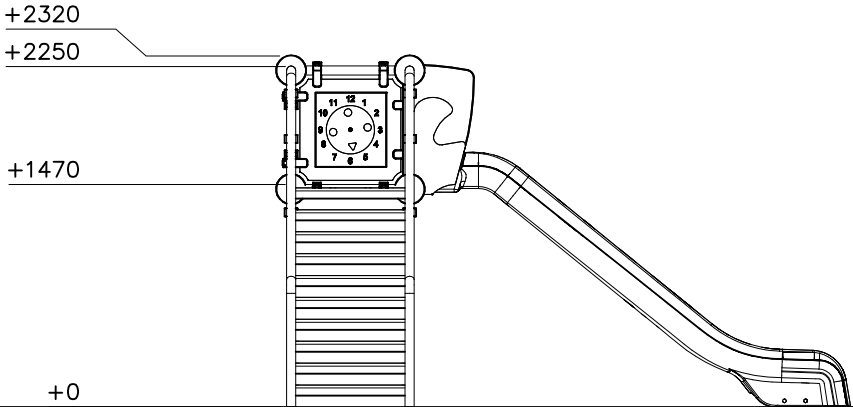
<p>702341</p>  <p>90x50</p>	<p>PCS</p> <p>1</p>	<p>704002</p> 	<p>PCS</p> <p>1</p>	<p>704328</p> 	<p>PCS</p> <p>1</p>	<p>704380</p> 	<p>PCS</p> <p>1</p>	<p>704425</p> 	<p>PCS</p> <p>1</p>	<p>704432</p> 	<p>PCS</p> <p>1</p>
<p>704768</p> 	<p>PCS</p> <p>1</p>	<p>704851</p> 	<p>PCS</p> <p>1</p>	<p>902022</p>  <p>L 710</p>	<p>PCS</p> <p>4</p>	<p>902134</p> 	<p>PCS</p> <p>8</p>	<p>902157</p>  <p>60x60x2</p>	<p>PCS</p> <p>20</p>	<p>904456</p>  <p>L 2737</p>	<p>PCS</p> <p>4</p>
<p>909519</p>  <p>380x380</p>	<p>PCS</p> <p>4</p>	<p>909637</p>  <p>M10</p>	<p>PCS</p> <p>16</p>	<p>909638</p>  <p>Ø20/10.5</p>	<p>PCS</p> <p>32</p>	<p>909639</p>  <p>M10x25</p>	<p>PCS</p> <p>16</p>		<p>PCS</p>		<p>PCS</p>
	<p>PCS</p>		<p>PCS</p>		<p>PCS</p>		<p>PCS</p>		<p>PCS</p>		<p>PCS</p>
	<p>PCS</p>		<p>PCS</p>		<p>PCS</p>		<p>PCS</p>		<p>PCS</p>		<p>PCS</p>
	<p>PCS</p>		<p>PCS</p>		<p>PCS</p>		<p>PCS</p>		<p>PCS</p>		<p>PCS</p>

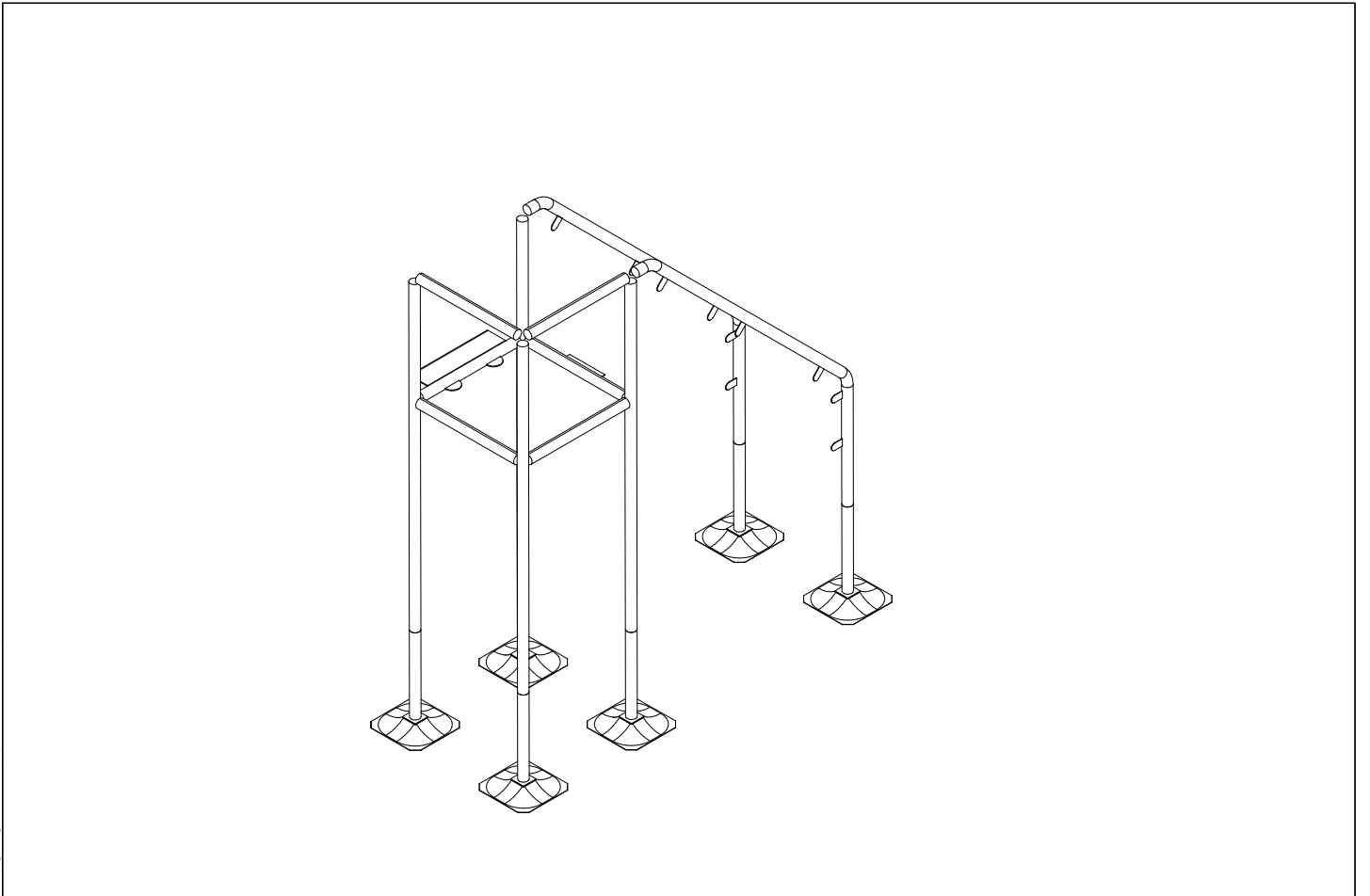
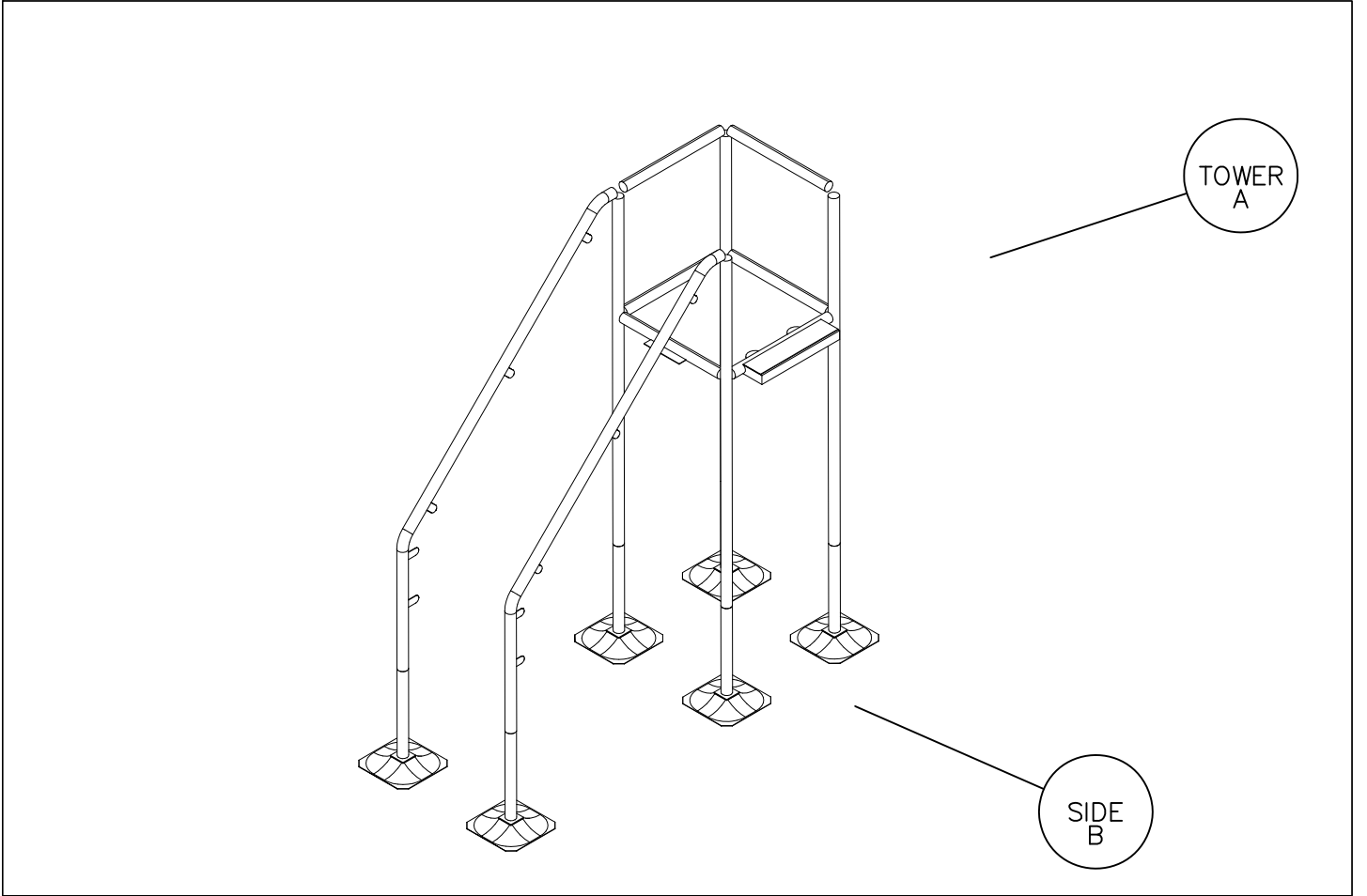


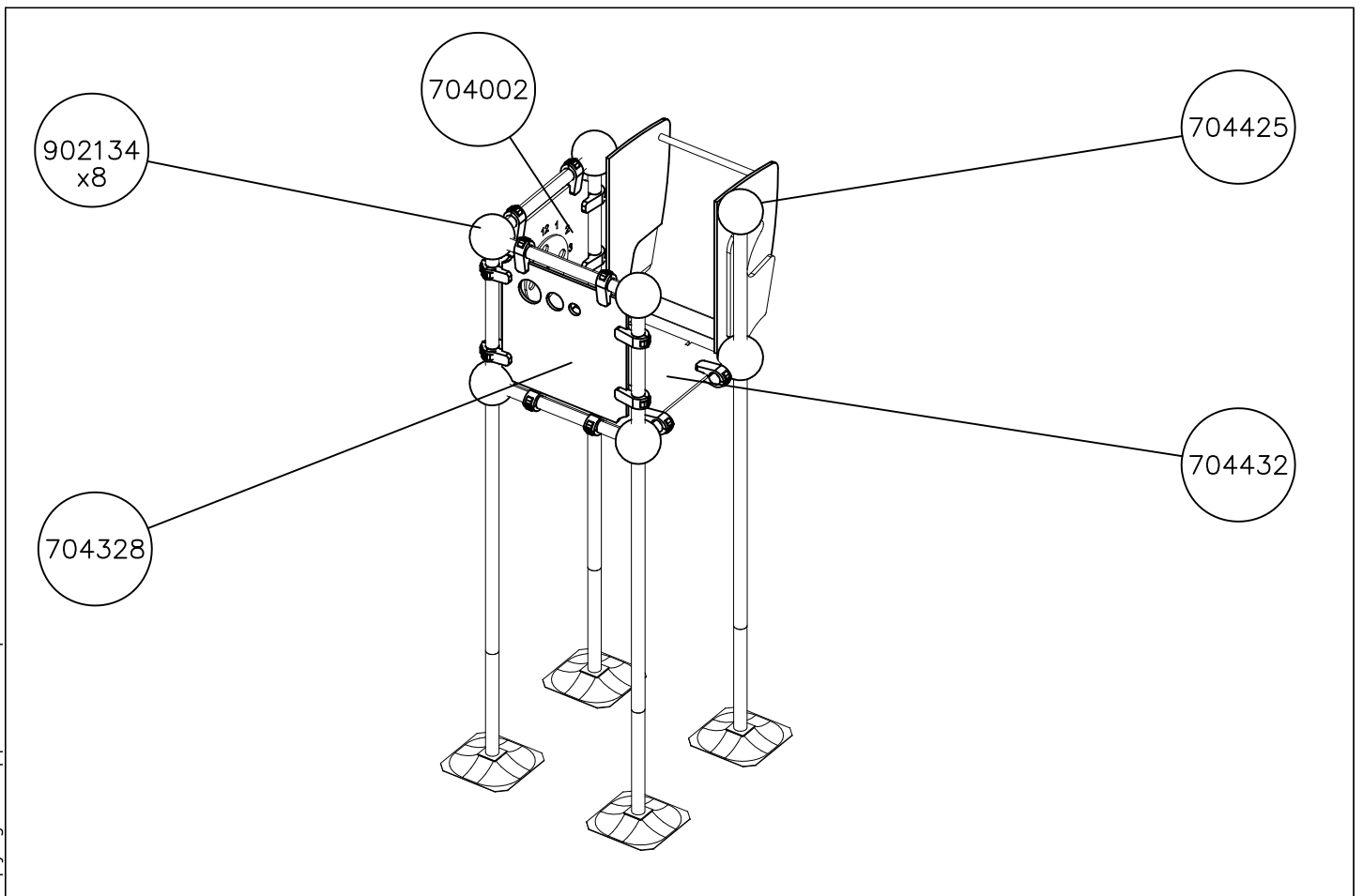
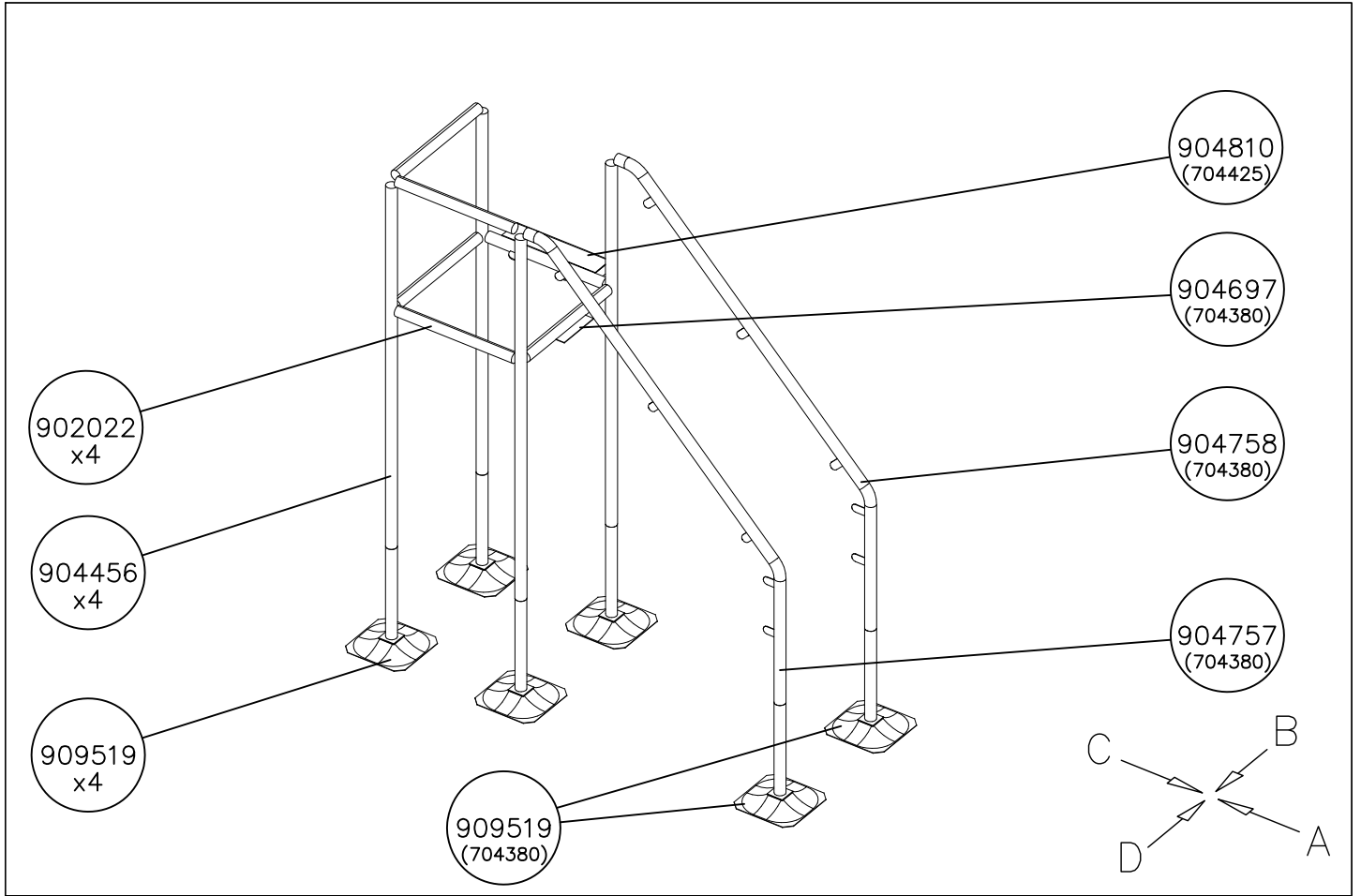


—— EN Impact Area 25.8 m²
- - - - Falling Space 27.9 m²
Max Falling Height 1470 mm





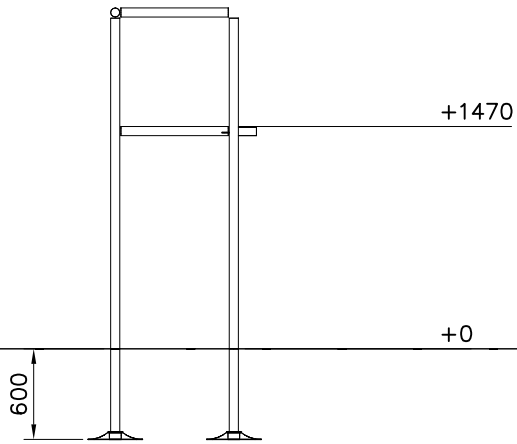




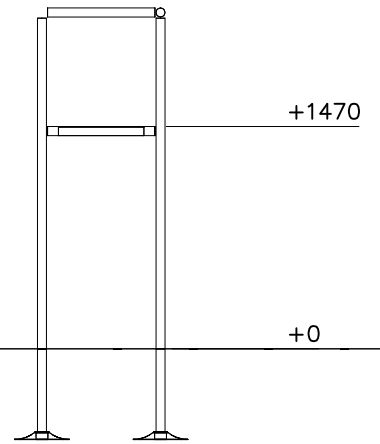
DATE: 20.3.2015

1:50

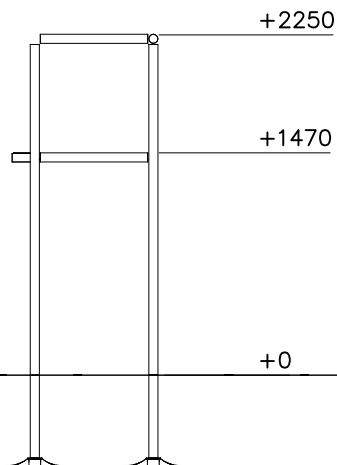
(A)



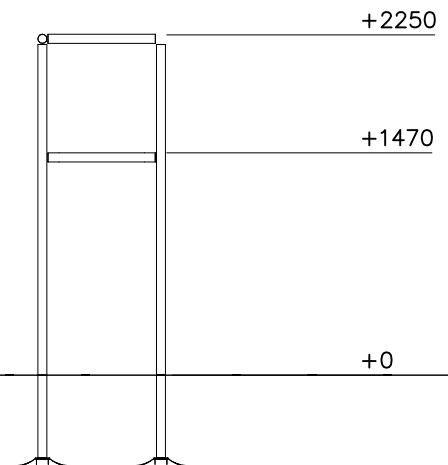
(B)

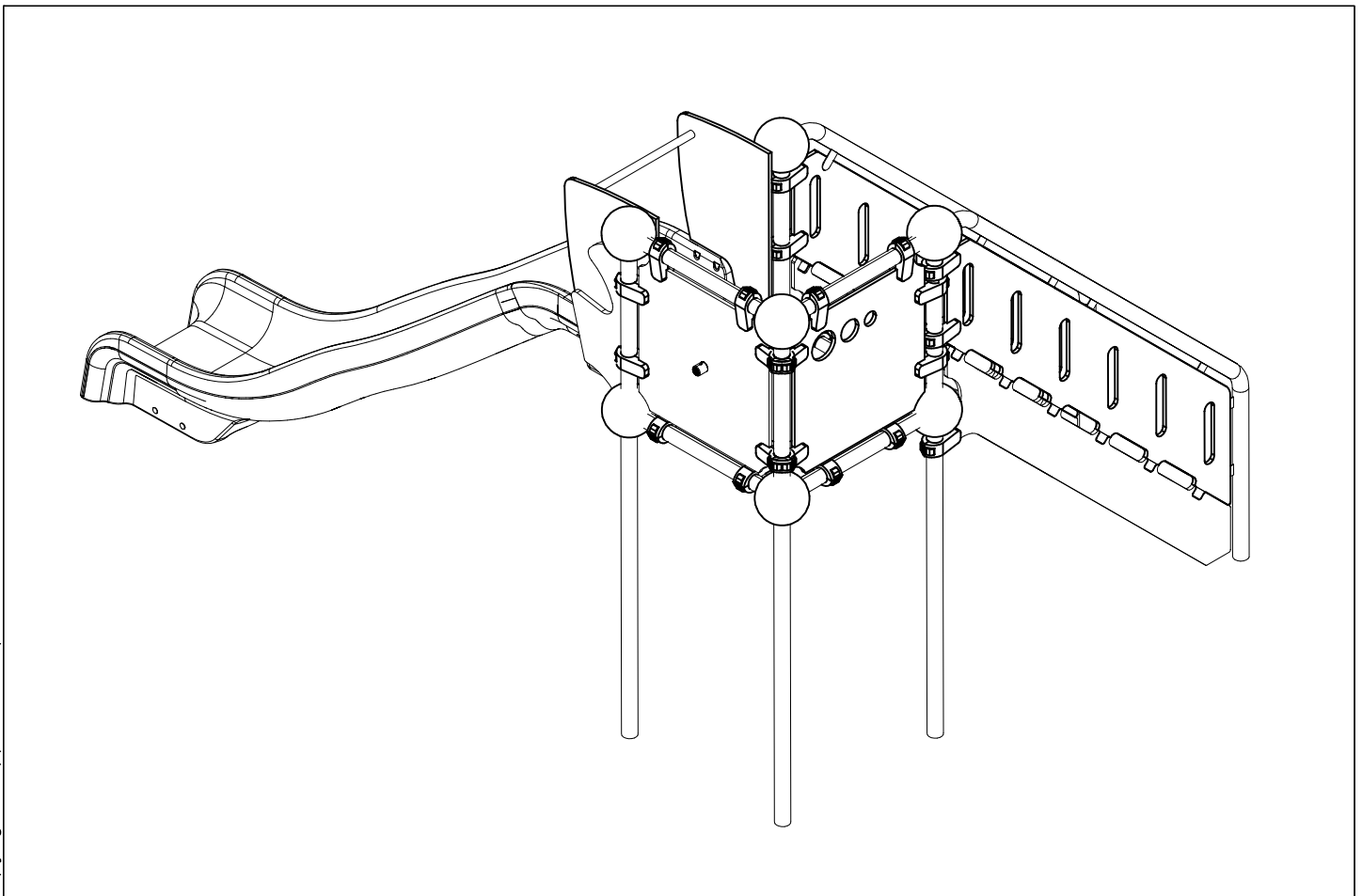
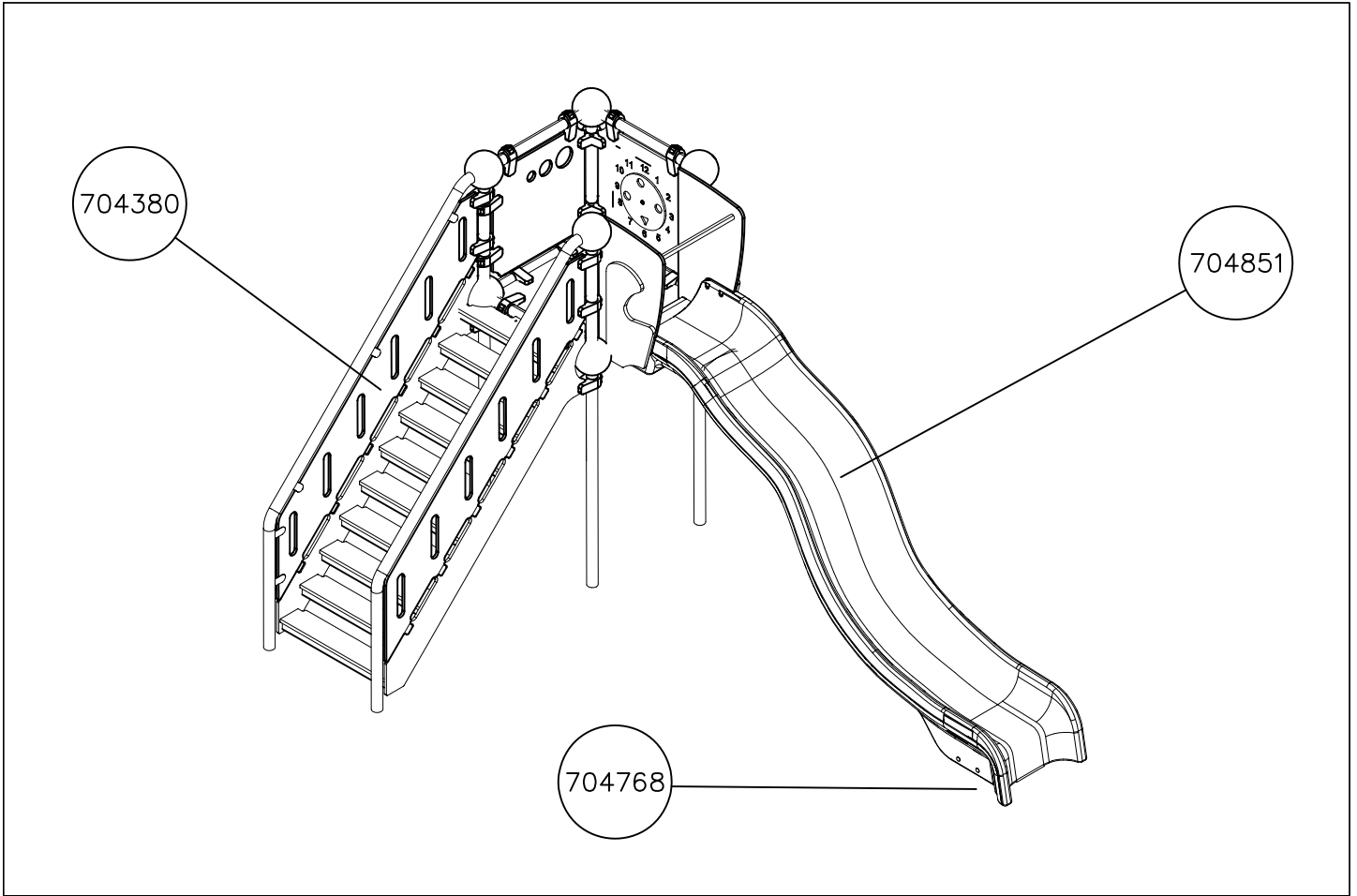


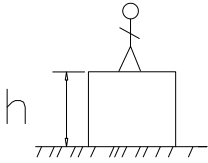



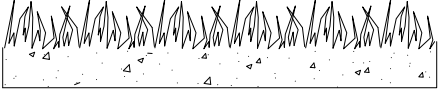
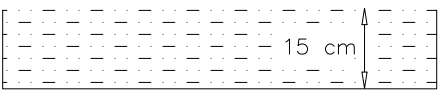
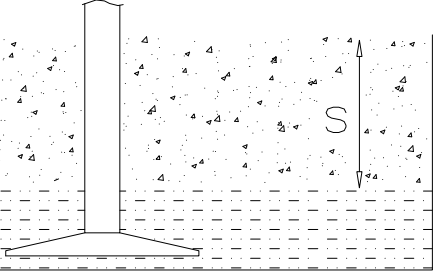
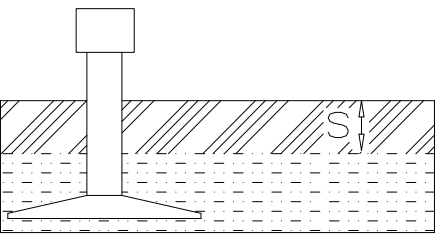
(C)



(D)





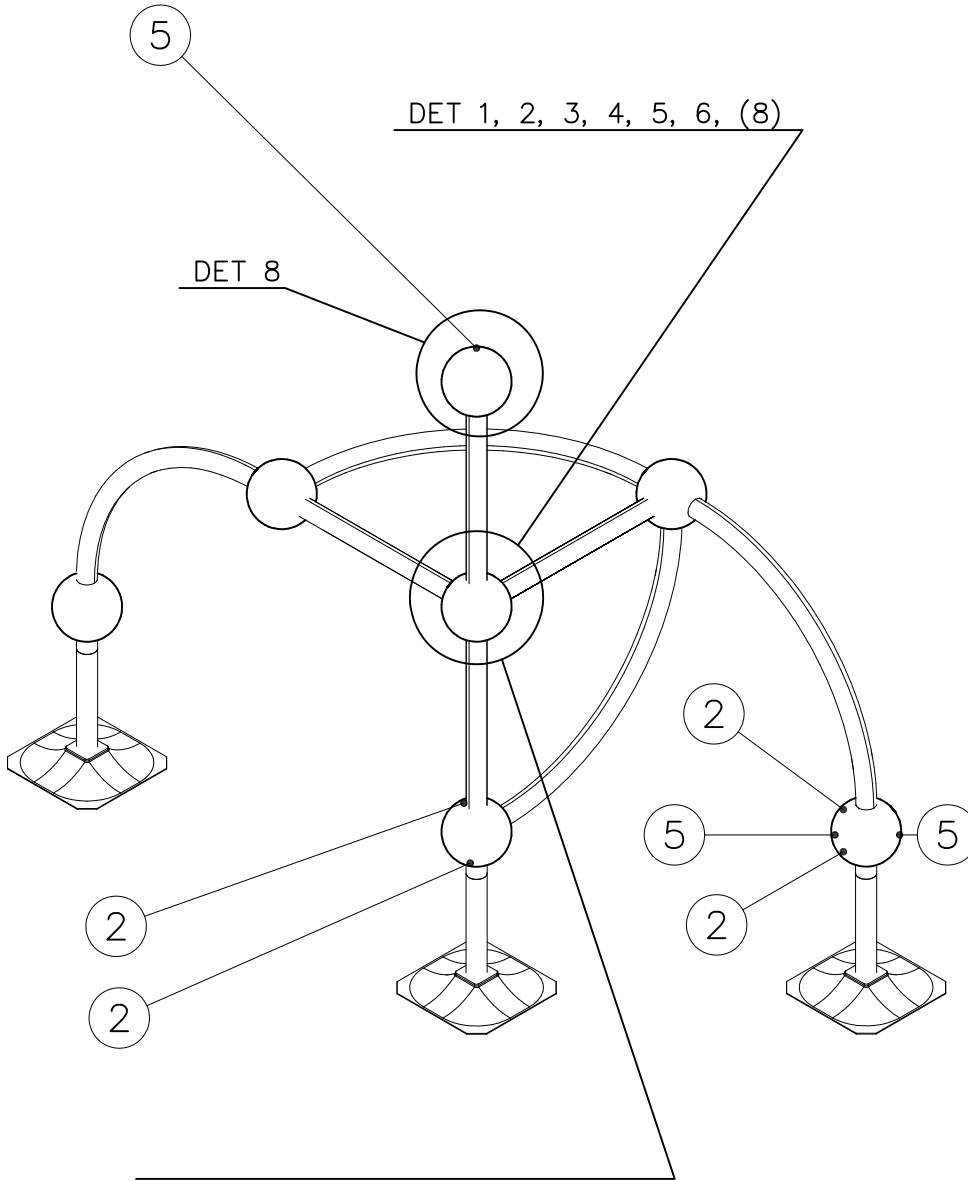
												
<p>$h < 600$</p> <p>Without movement and therefore without Impact Area</p>	<p>Totally hard surfaces.</p> <p>Note. Lappset does <u>not recommend</u> totally hard surfaces at all.</p>	<p>E.g. concrete or asphalt</p> 										
<p>$h < 600$</p> <p>With movement e.g. rocking</p>	<p>Materials with very limited impact attenuating properties.</p>	<p>E.g. wood</p> 										
<p>$h < 1000$</p>	<p>Materials with significant impact attenuating properties.</p>	<p>fine gravel 0–8 mm</p>  <p>grass</p>  <p>unsorted sand</p> 										
<p>$h < 3000$</p>	<p>Loose fill material</p> <p>E.g. sand/gravel 0,25...8 mm D60/D10<3,0 Woodchips 5...30 mm bark 20...80 mm</p>	 <table data-bbox="1024 1691 1332 1792"> <tr> <td>\underline{S}</td> <td>\underline{h}</td> </tr> <tr> <td>30 cm</td> <td>< 2,0 m</td> </tr> <tr> <td>40 cm</td> <td>< 3,0 m</td> </tr> </table>	\underline{S}	\underline{h}	30 cm	< 2,0 m	40 cm	< 3,0 m				
\underline{S}	\underline{h}											
30 cm	< 2,0 m											
40 cm	< 3,0 m											
	<p>Syntethic granulates</p> <table data-bbox="406 1892 758 2060"> <tr> <td>\underline{S}</td> <td>\underline{h}</td> </tr> <tr> <td>40 mm</td> <td>~> 1,2...1,3 m</td> </tr> <tr> <td>50 mm</td> <td>~> 1,5...1,7 m</td> </tr> <tr> <td>60 mm</td> <td>~> 1,8...2,0 m</td> </tr> <tr> <td>70 mm</td> <td>~> 2,1...2,5 m</td> </tr> </table> <p>Note. For accurate values, see manufacturer's instructions.</p>	\underline{S}	\underline{h}	40 mm	~> 1,2...1,3 m	50 mm	~> 1,5...1,7 m	60 mm	~> 1,8...2,0 m	70 mm	~> 2,1...2,5 m	
\underline{S}	\underline{h}											
40 mm	~> 1,2...1,3 m											
50 mm	~> 1,5...1,7 m											
60 mm	~> 1,8...2,0 m											
70 mm	~> 2,1...2,5 m											

REMOVE SAFETY SURFACE/SAND/GRAVEL
TO CHECK FOUNDATION

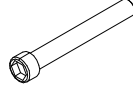

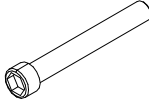



REMOVE SAFETY SURFACE/SAND/GRAVEL
TO CHECK FOUNDATION

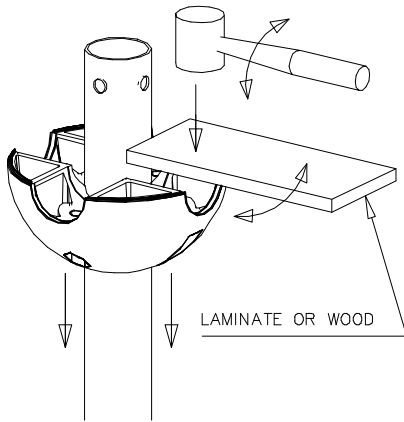




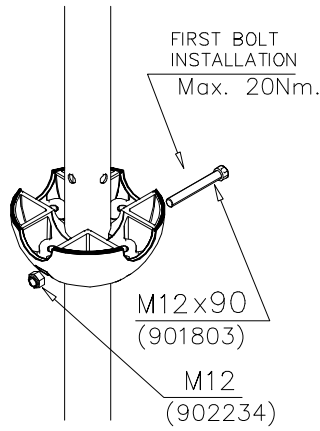
DO NOT TIGHTEN THE JOINTS UNTIL THE STRUCTURE IS COMPLETE.

① 901803	PCS	② 901994	PCS
	2		2
M12x90		Ø190	
③ 902096	PCS	④ 902234	PCS
	4		6
M12x120		M12	
	PCS		PCS
	PCS		PCS
	PCS		PCS
	PCS		PCS
	PCS		PCS
	PCS		PCS

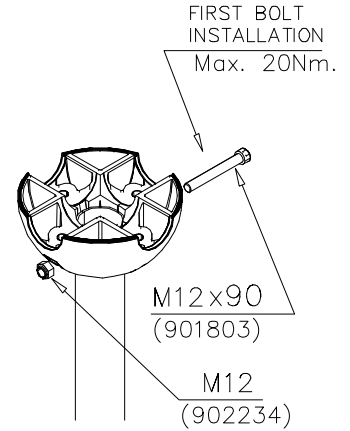
DET 1



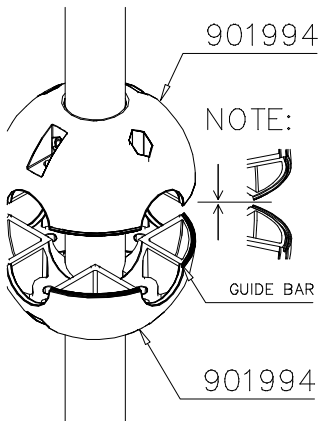
DET 2



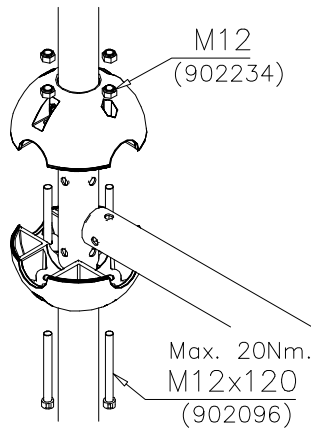
DET 3



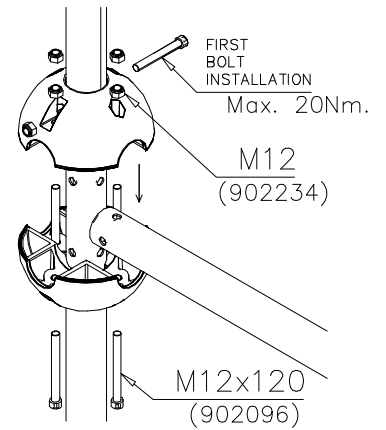
DET 4



DET 5

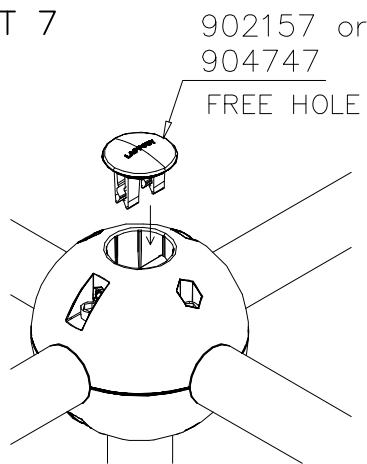


DET 6



REMEMBER
FINAL
TIGHTENING

DET 7



DET 8





Tuotekyltti tulee tuotteen mukana yhdellä seuraavista tavoista:

1) Metallinen tuotekyltti ja kiinnitysruuvit

- Kiinnitä tuotekyltti ruuveilla tolppaan noin 2 metrin korkeuteen kuvan 1 mukaisesti.

2) Tuotekylttitarra

- Puhdista maalattu metalli- tai vaneripinta pölystä ja kosteudesta. Liimaa tarra kuvan 2 mukaisesti.
- Huom. Älä kiinnitä tarraa karheapintaiseen laminaattiin tai maalattuun puuhun.

Vår produktmärkning levereras på ett av följande sätt:

1) Produktskylt i metall

- Fäst skylten med de medföljande skruvarna

2) Självhäftande produktetikett

- Rengör den pulverlackerade metallytan eller laminatyten så att den blir fri från smuts och fukt. Fäst etiketten enligt fig. 2.
- Obs! Fäst ej etiketten på detaljer med skrovlig yta eller på målat trä.

Product label is delivered by one of following ways:

1) Metal product label and screws

- Fasten the label with screws.

2) Label sticker

- Clean the painted metal or plywood surface from dirt and moisture. Fasten the sticker as shown in the figure 2.
- Note. Do not attach the sticker to rough surfaced laminate or painted wood.

La plaque d'informations produit est livrée sous l'une de ces 3 formes :

1) Plaque métallique et vis

- Fixez la plaque à l'aide des vis.

2) Etiquette autocollante

- Avant de coller l'étiquette, nettoyez le composant métallique peint ou la plaque de contreplaqué, de toute saleté. La surface doit être sèche (voir image 2).
- Attention, ne pas coller l'étiquette sur une surface lamellé-collée irrégulière ou sur du bois peint.

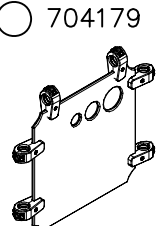
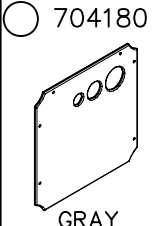
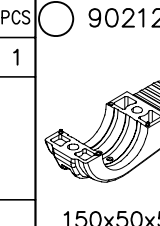
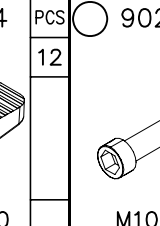
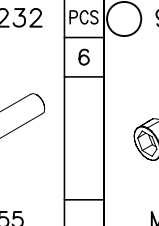
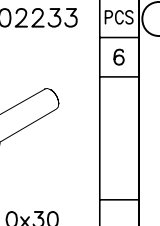
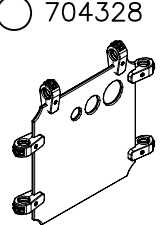
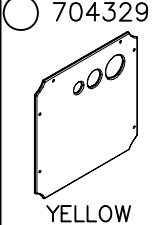
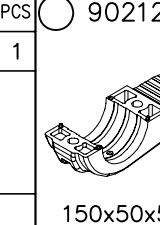
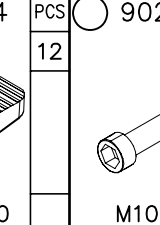
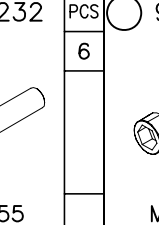
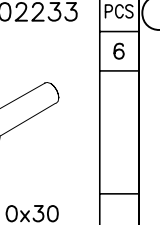
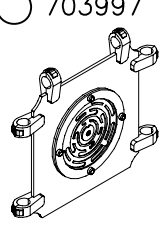
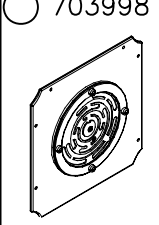
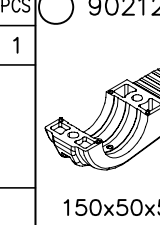
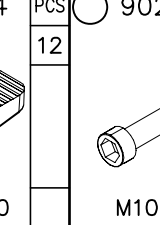
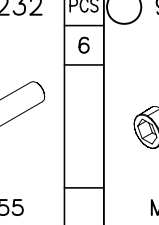
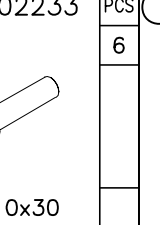
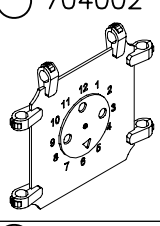
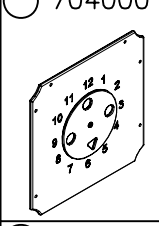
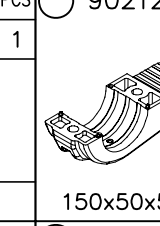
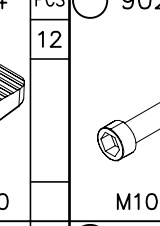
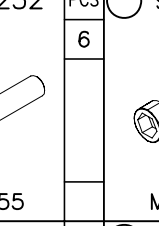
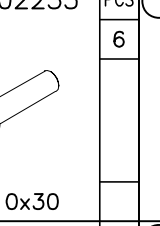
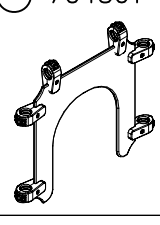
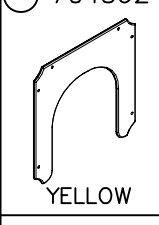
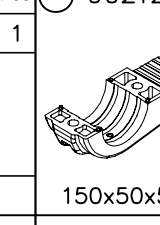
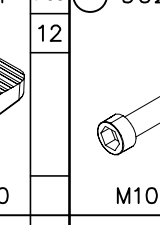
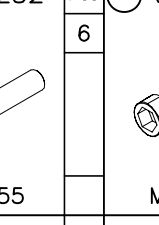
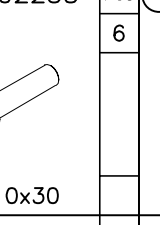
Die Auslieferung des Produktaufklebers erfolgt auf eine dieser Arten:

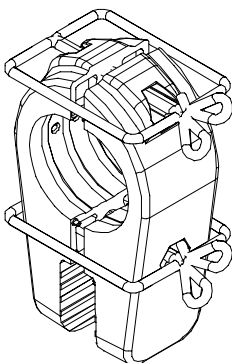
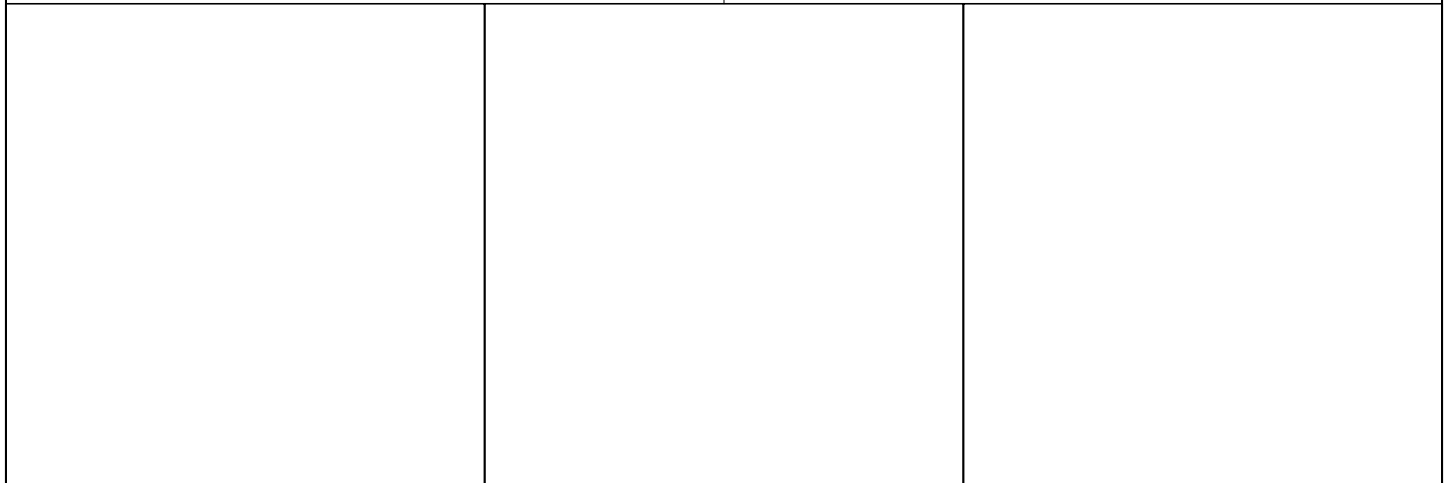
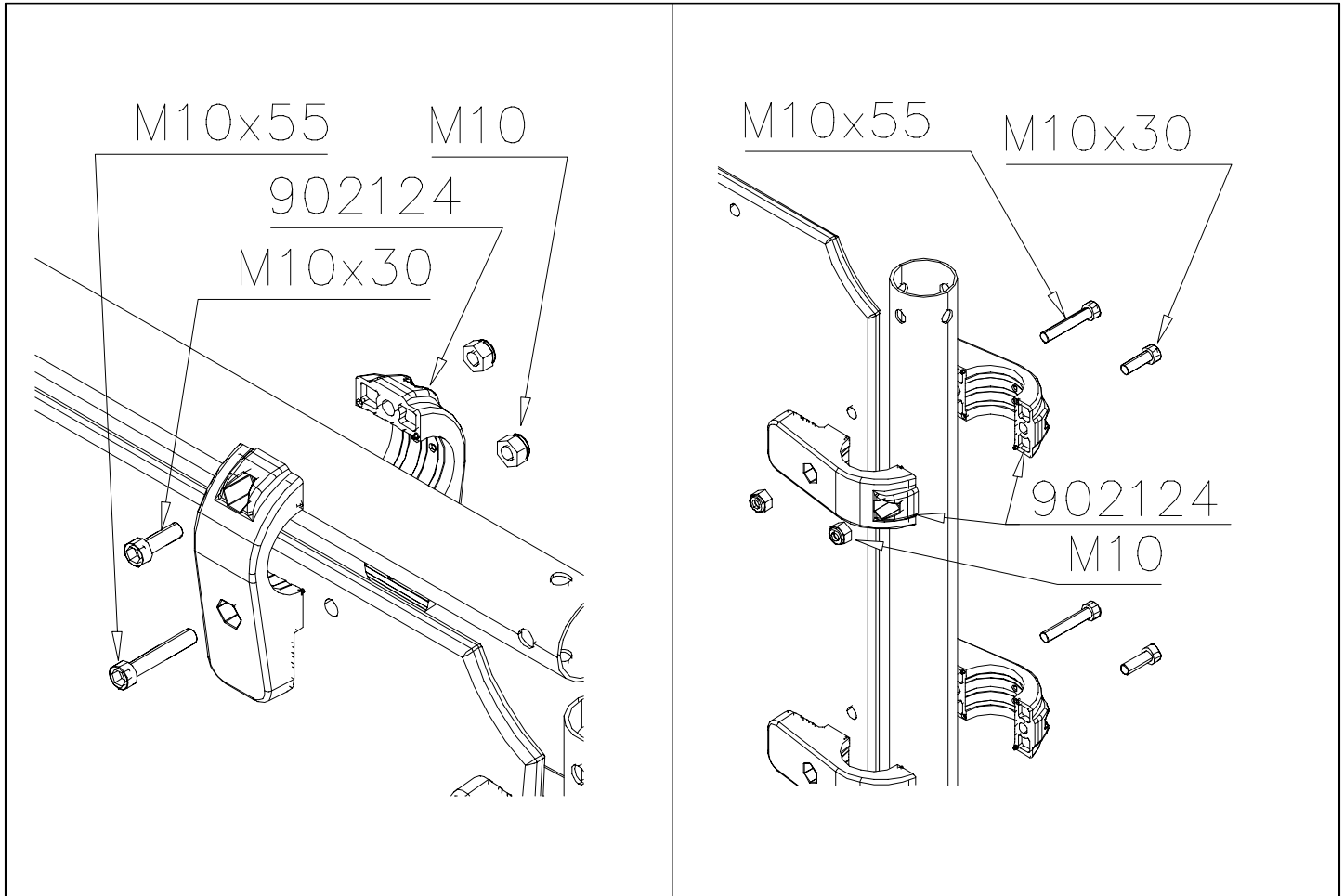
1) Produkt-Schild aus Metall incl. Schrauben

- Die Befestigung des Schildes erfolgt mittels der Schrauben.

2) Aufkleber

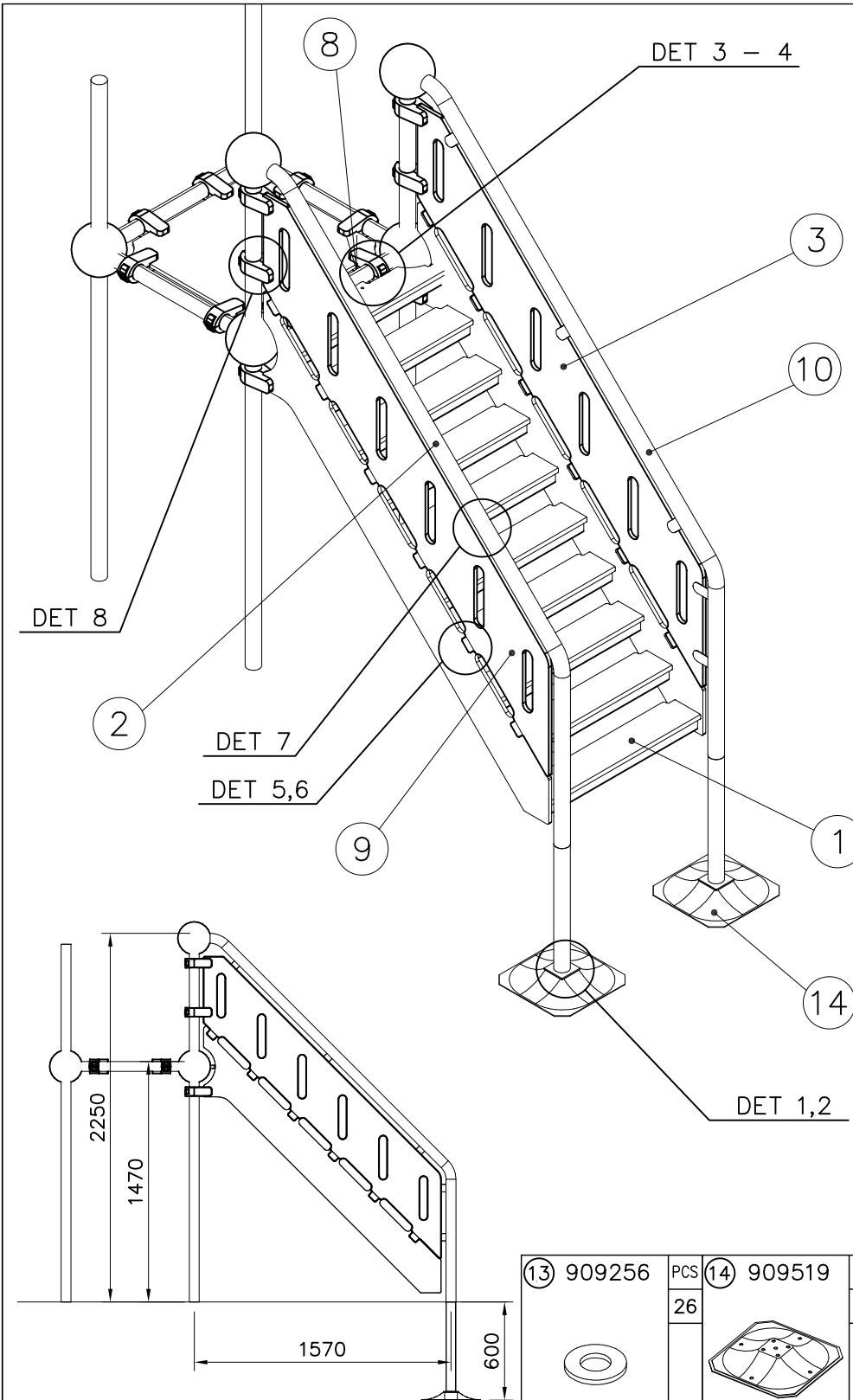
- Entfernen Sie zunächst Schmutz und Feuchtigkeit vom lackierten Metall bzw. von der Holzoberfläche und bringen Sie den Aufkleber wie im Bild oben rechts beschrieben auf den gesäuberten Untergrund auf.
- Beachten Sie: Bringen Sie den Aufkleber nicht auf raues laminiertes oder lackiertes Holz an.

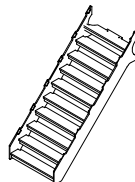
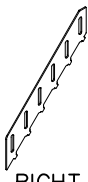
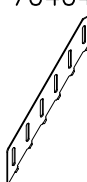
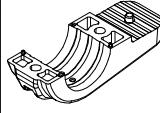
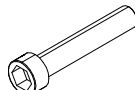
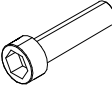
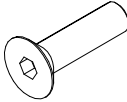
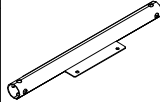
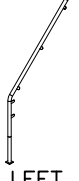

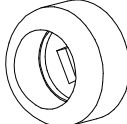
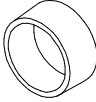

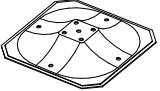
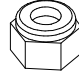
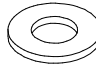

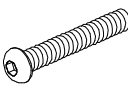
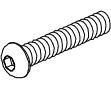
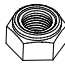

 <p>704179</p>	 <p>704180 GRAY</p>	<p>PCS</p> <p>1</p>	 <p>902124</p> <p>150x50x50</p>	<p>PCS</p> <p>12</p>	 <p>902232</p> <p>M10x55</p>	<p>PCS</p> <p>6</p>	 <p>902233</p> <p>M10x30</p>	<p>PCS</p> <p>6</p>	 <p>980161</p> <p>M10</p>	<p>PCS</p> <p>12</p>		<p>PCS</p>
 <p>704328</p>	 <p>704329 YELLOW</p>	<p>PCS</p> <p>1</p>	 <p>902124</p> <p>150x50x50</p>	<p>PCS</p> <p>12</p>	 <p>902232</p> <p>M10x55</p>	<p>PCS</p> <p>6</p>	 <p>902233</p> <p>M10x30</p>	<p>PCS</p> <p>6</p>	 <p>980161</p> <p>M10</p>	<p>PCS</p> <p>12</p>		<p>PCS</p>
 <p>703997</p>	 <p>703998</p>	<p>PCS</p> <p>1</p>	 <p>902124</p> <p>150x50x50</p>	<p>PCS</p> <p>12</p>	 <p>902232</p> <p>M10x55</p>	<p>PCS</p> <p>6</p>	 <p>902233</p> <p>M10x30</p>	<p>PCS</p> <p>6</p>	 <p>980161</p> <p>M10</p>	<p>PCS</p> <p>12</p>		<p>PCS</p>
 <p>704002</p>	 <p>704000</p>	<p>PCS</p> <p>1</p>	 <p>902124</p> <p>150x50x50</p>	<p>PCS</p> <p>12</p>	 <p>902232</p> <p>M10x55</p>	<p>PCS</p> <p>6</p>	 <p>902233</p> <p>M10x30</p>	<p>PCS</p> <p>6</p>	 <p>980161</p> <p>M10</p>	<p>PCS</p> <p>12</p>		<p>PCS</p>
 <p>704361</p>	 <p>704362 YELLOW</p>	<p>PCS</p> <p>1</p>	 <p>902124</p> <p>150x50x50</p>	<p>PCS</p> <p>12</p>	 <p>902232</p> <p>M10x55</p>	<p>PCS</p> <p>6</p>	 <p>902233</p> <p>M10x30</p>	<p>PCS</p> <p>6</p>	 <p>980161</p> <p>M10</p>	<p>PCS</p> <p>12</p>		<p>PCS</p>
		<p>PCS</p>		<p>PCS</p>		<p>PCS</p>		<p>PCS</p>		<p>PCS</p>		<p>PCS</p>
		<p>PCS</p>		<p>PCS</p>		<p>PCS</p>		<p>PCS</p>		<p>PCS</p>		<p>PCS</p>
		<p>PCS</p>		<p>PCS</p>		<p>PCS</p>		<p>PCS</p>		<p>PCS</p>		<p>PCS</p>

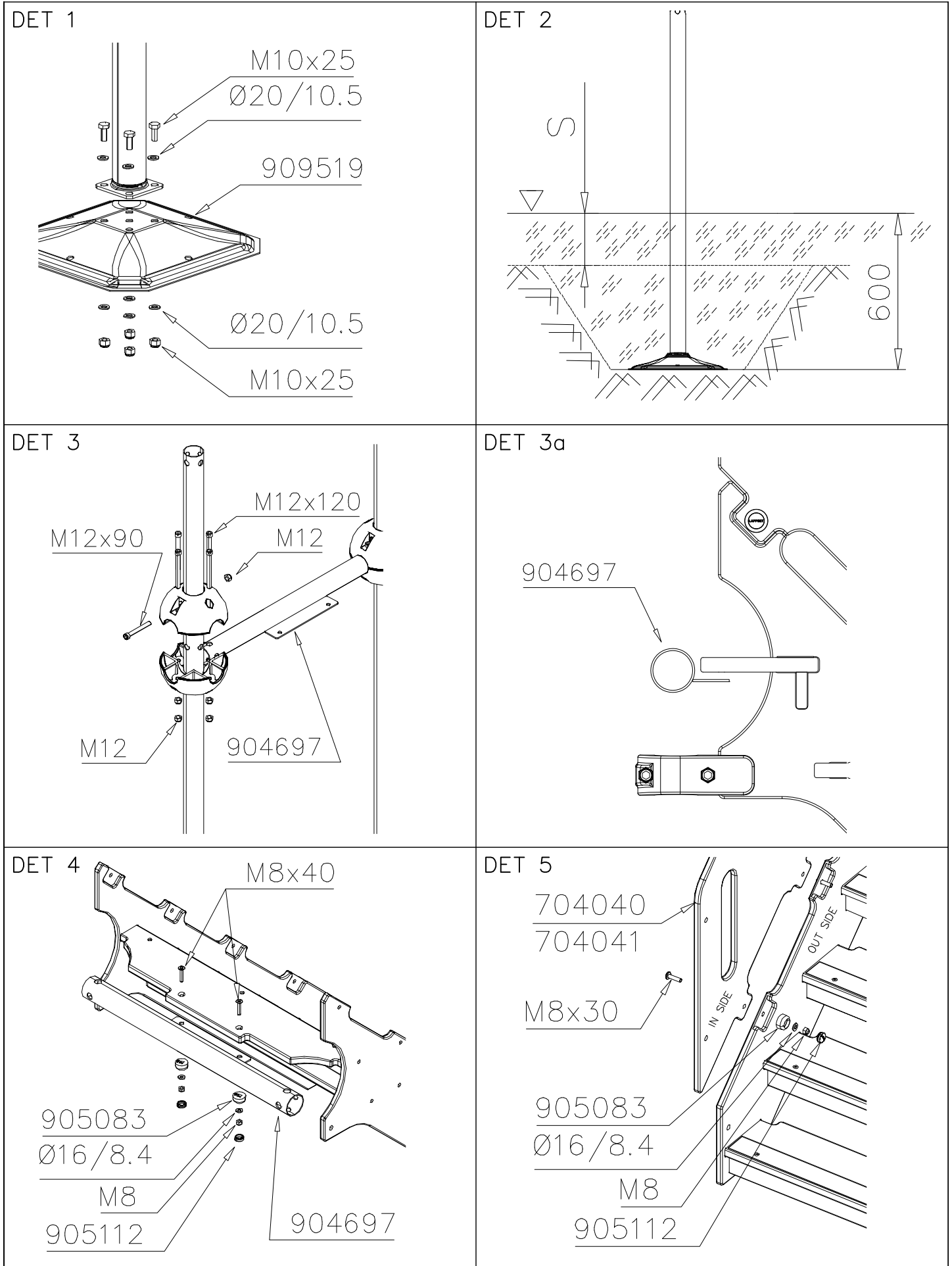


NOTE:
 Use a wire marked pairs
 of the same junction.

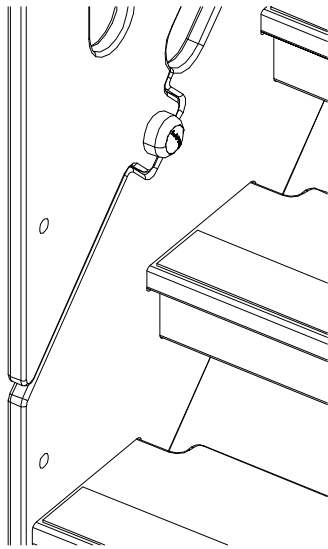
Huom!
 Käytä langalla merkittyä
 paria samassa liitoksessa.



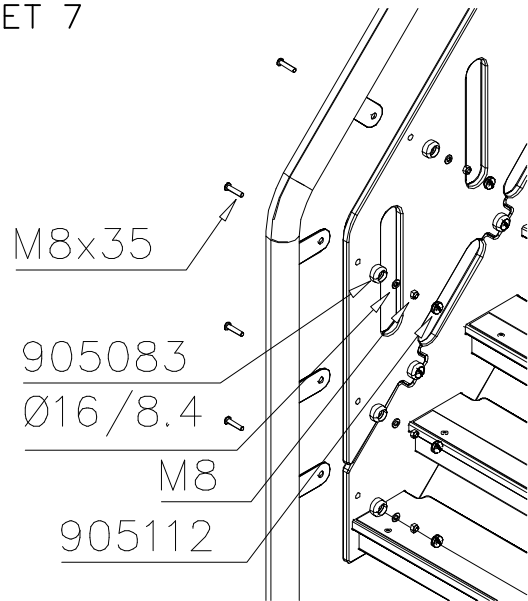
① 704256	PCS	② 704040	PCS
	1		1
		RIGHT	
③ 704041	PCS	④ 902124	PCS
	1		12
LEFT		150x50x50	
⑤ 902232	PCS	⑥ 902233	PCS
	6		6
M10x55		M10x30	
⑦ 904068	PCS	⑧ 904697	PCS
	2		1
M8x40		Ø60.3x2.9x710	
⑨ 904757	PCS	⑩ 904758	PCS
	1		1
LEFT		RIGHT	
⑪ 905083	PCS	⑫ 905112	PCS
	26		26
Ø32		Ø22	
⑬ 909256	PCS	⑭ 909519	PCS
	26		2
Ø16/8.4x1.6		50x380x380	
⑮ 909637	PCS	⑯ 909638	PCS
	8		16
M10		Ø20/10.5	
⑰ 909639	PCS	⑱ 909852	PCS
	8		12
M10x25		M8x30	
⑲ 909855	PCS	⑳ 980160	PCS
	12		26
M8x35		M8	
㉑ 980161	PCS		PCS
	12		
M10			



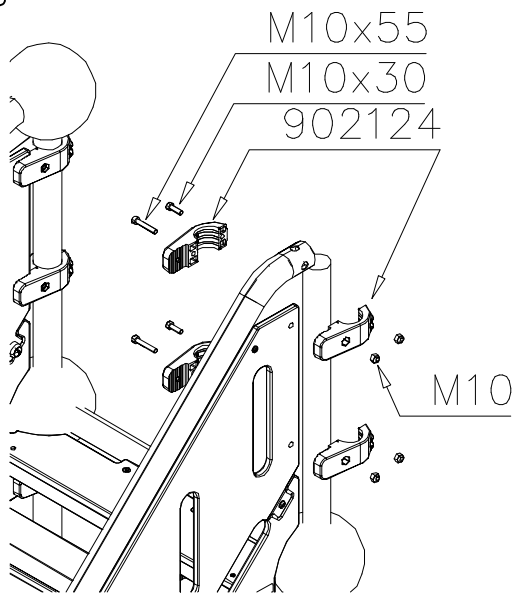
DET 6

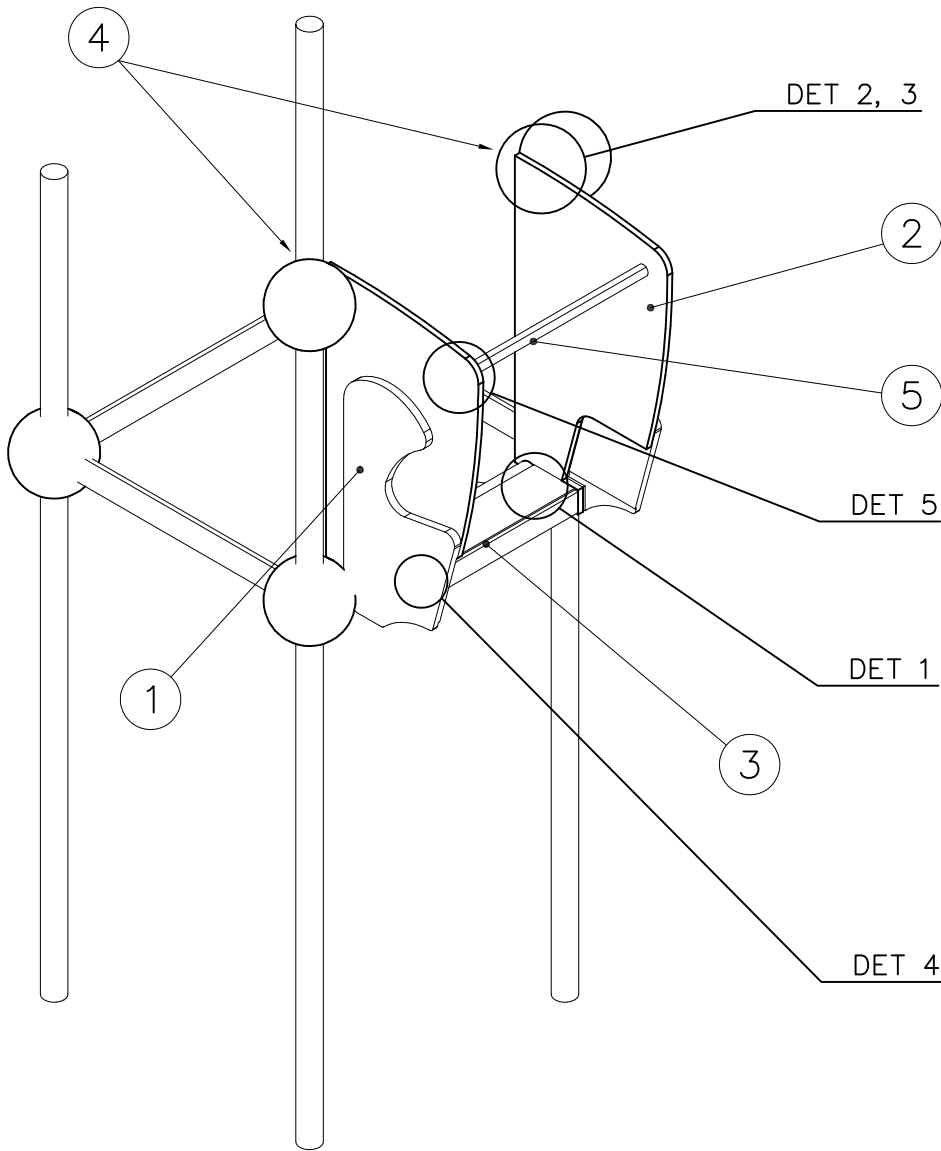


DET 7

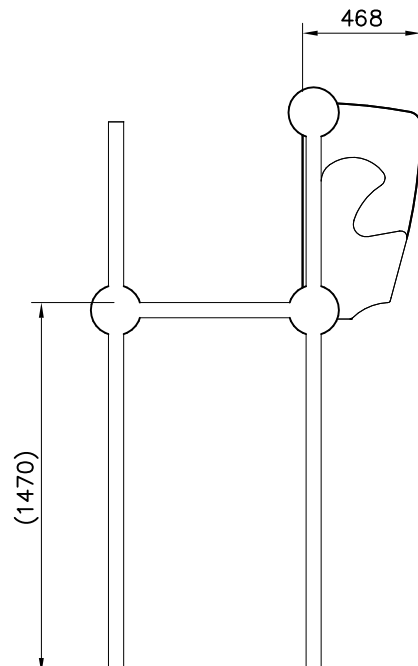
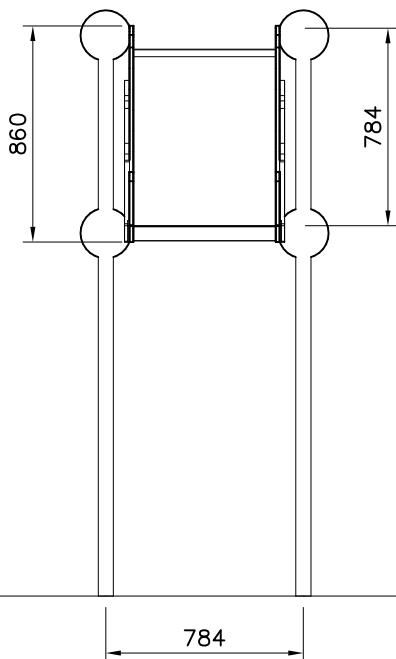


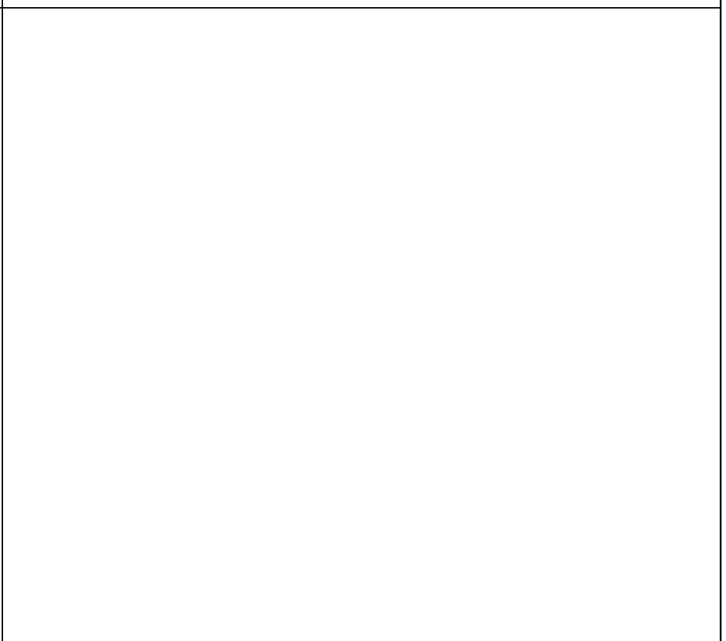
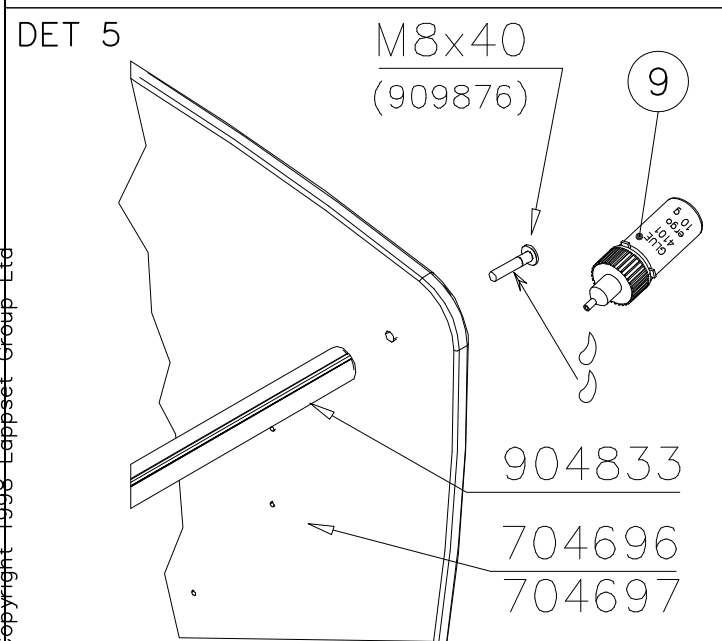
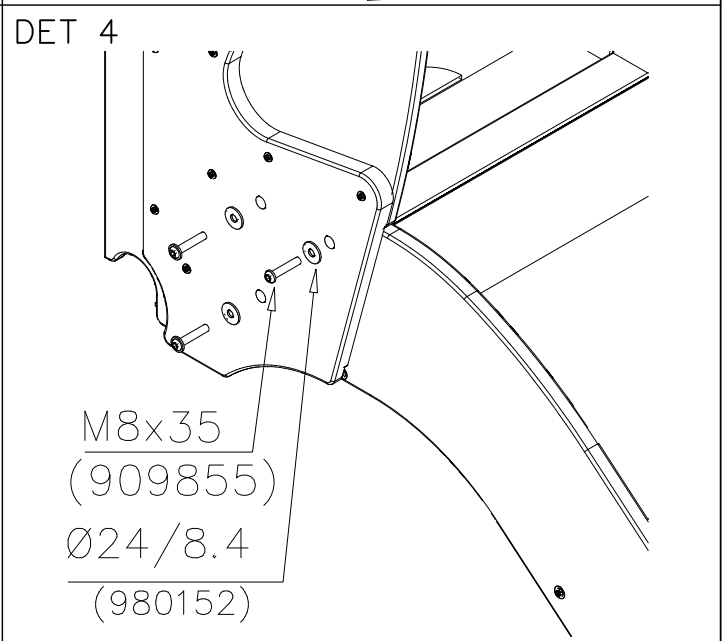
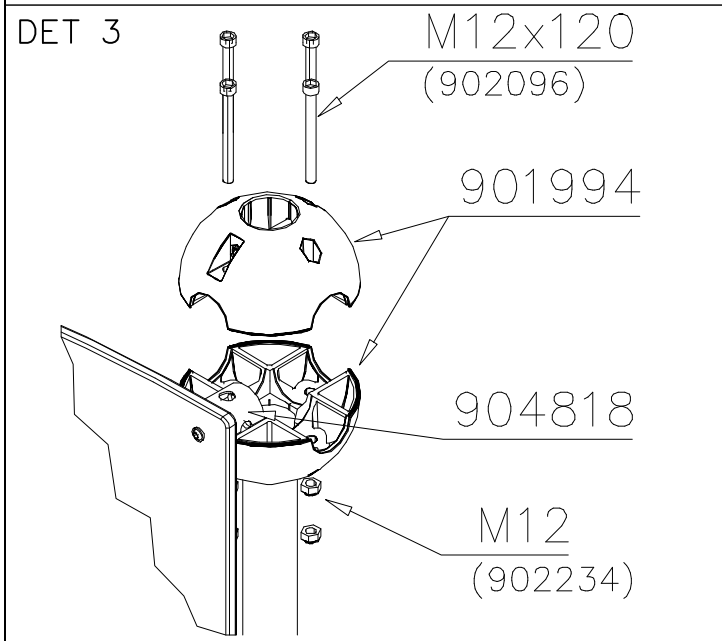
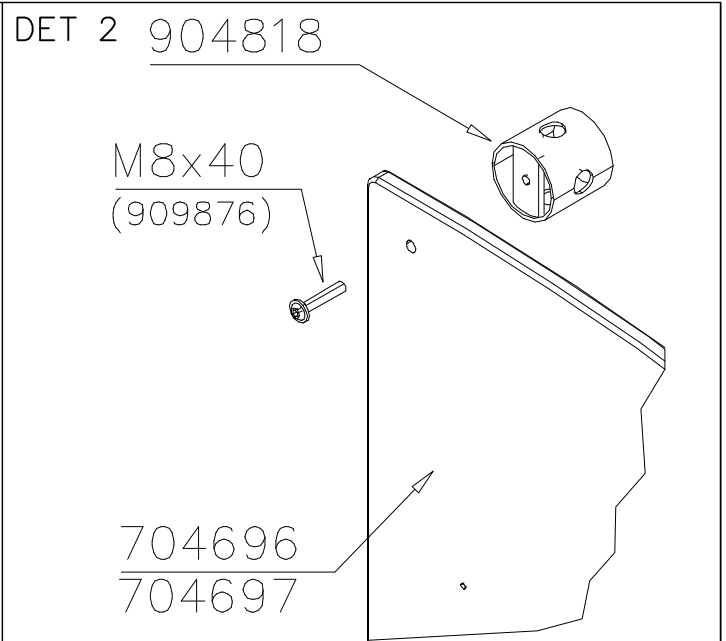
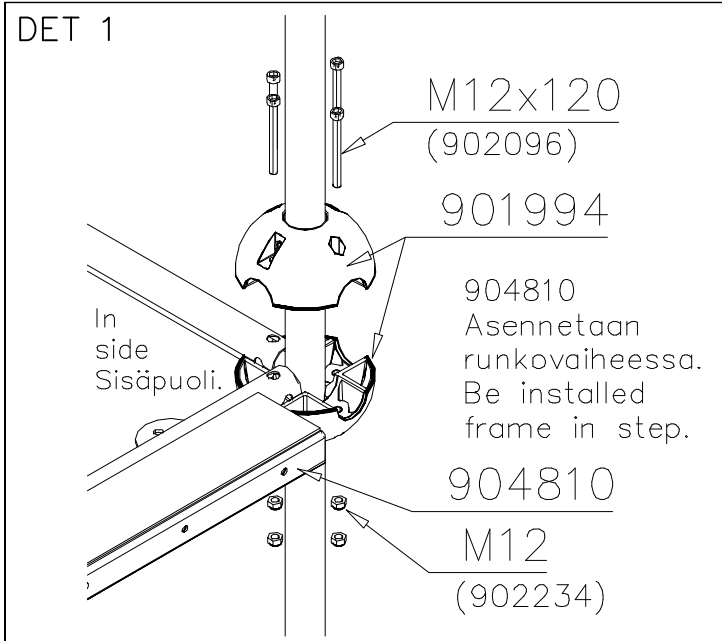
DET 8





① 704696	PCS	② 704697	PCS
	1		1
③ 904810	PCS	④ 904818	PCS
	1		2
⑤ 904833	PCS	⑥ 909876	PCS
	1		4
Ø30x565		M8x40	
⑦ 980152	PCS	⑧ 909855	PCS
	6		6
Ø24/8.4		M8x35	
		⑨ 999561	PCS
			1
		10 g	



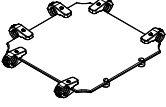
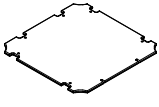
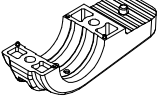
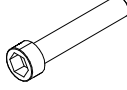
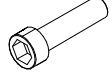
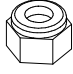
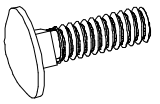
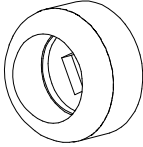
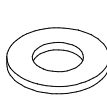
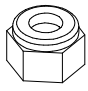
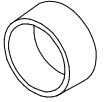
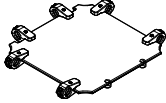
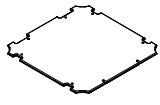
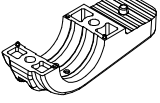
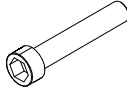
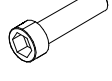
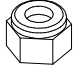
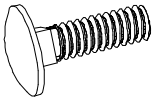
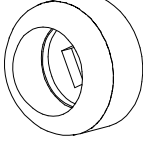
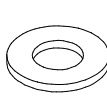
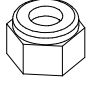
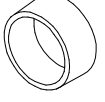
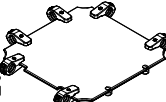
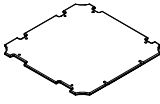
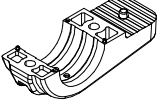
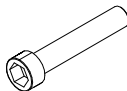
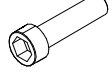
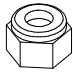
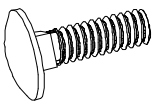
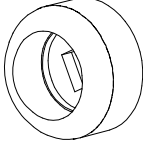
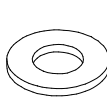
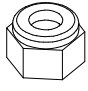
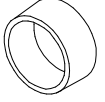


LAPPSET® FLOOR (SLIDE)

CLOXX

DATE: 3.10.2013

1(3)

○ 704432 	○ 704038 	PCS 1	○ 902124  150x50x50	PCS 12	○ 902232  M10x55	PCS 6	○ 902233  M10x30	PCS 6	○ 980161  M10	PCS 12		PCS
		PCS	○ 909109  M12x40	PCS 2	○ 905090  Ø45	PCS 2	○ 980154  Ø24/13	PCS 2	○ 909248  M12	PCS 2	○ 905115  Ø32	PCS 2
		PCS		PCS		PCS		PCS		PCS		PCS
○ 704447 	○ 704446 	PCS 1	○ 902124  150x50x50	PCS 12	○ 902232  M10x55	PCS 6	○ 902233  M10x30	PCS 6	○ 980161  M10	PCS 12		PCS
		PCS	○ 909109  M12x40	PCS 2	○ 905090  Ø45	PCS 2	○ 980154  Ø24/13	PCS 2	○ 909248  M12	PCS 2	○ 905115  Ø32	PCS 2
		PCS		PCS		PCS		PCS		PCS		PCS
○ 704666 	○ 704667 	PCS 1	○ 902124  150x50x50	PCS 12	○ 902232  M10x55	PCS 6	○ 902233  M10x30	PCS 6	○ 980161  M10	PCS 12		PCS
		PCS	○ 909109  M12x40	PCS 2	○ 905090  Ø45	PCS 2	○ 980154  Ø24/13	PCS 2	○ 909248  M12	PCS 2	○ 905115  Ø32	PCS 2
		PCS		PCS		PCS		PCS		PCS		PCS

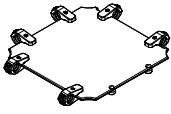
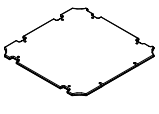
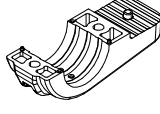
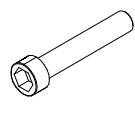
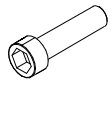
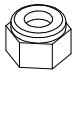
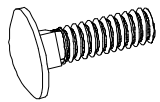
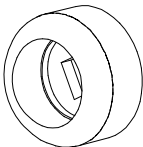
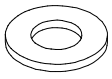
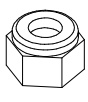
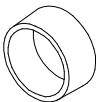
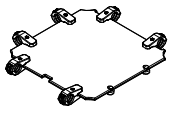
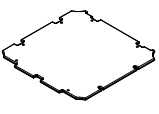
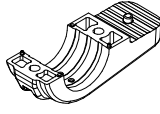
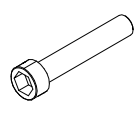
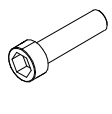
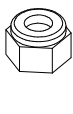
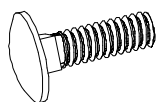
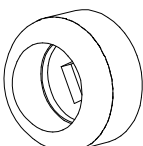
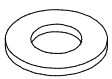
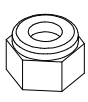
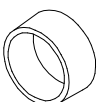
LAPPSET®

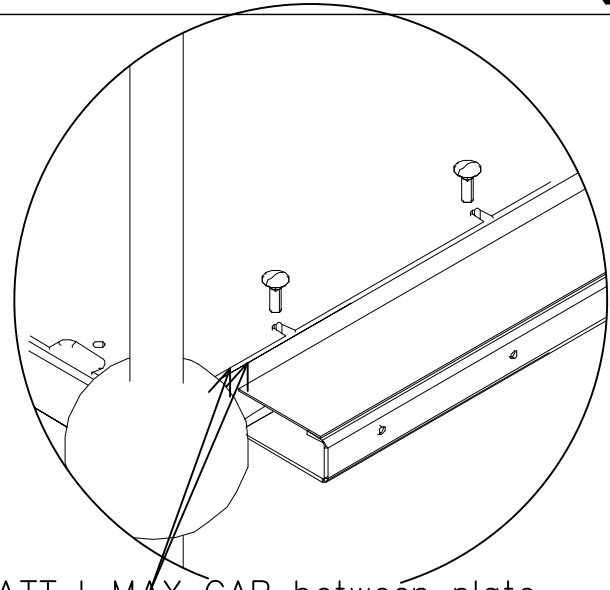
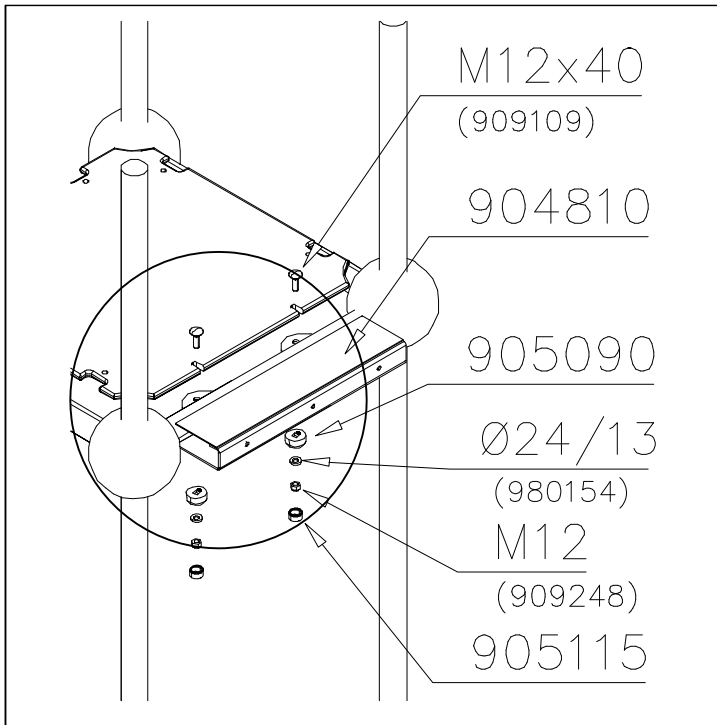
FLOOR (SLIDE)

CLOXX

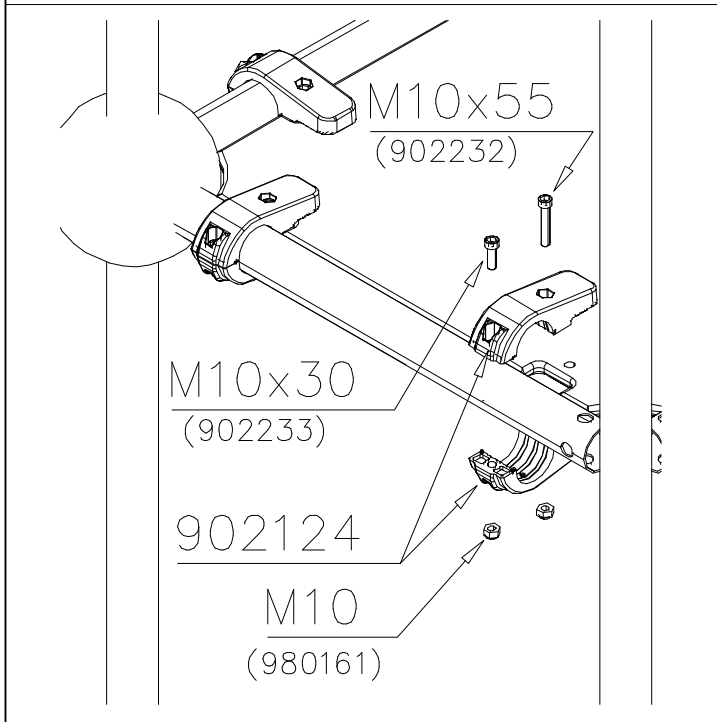
DATE: 3.10.2013

2(3)

○ 704684	○ 704685	PCS 1	○ 902124	PCS 12	○ 902232	PCS 6	○ 902233	PCS 6	○ 980161	PCS 12		PCS
			 150x50x50		 M10x55		 M10x30		 M10			
		PCS	○ 909109	PCS 2	○ 905090	PCS 2	○ 980154	PCS 2	○ 909248	PCS 2	○ 905115	PCS 2
			 M12x40		 Ø45		 Ø24/13		 M12		 Ø32	
		PCS		PCS		PCS		PCS		PCS		PCS
○ 704692	○ 704693	PCS 1	○ 902124	PCS 12	○ 902232	PCS 6	○ 902233	PCS 6	○ 980161	PCS 12		PCS
			 150x50x50		 M10x55		 M10x30		 M10			
		PCS	○ 909109	PCS 2	○ 905090	PCS 2	○ 980154	PCS 2	○ 909248	PCS 2	○ 905115	PCS 2
			 M12x40		 Ø45		 Ø24/13		 M12		 Ø32	
		PCS		PCS		PCS		PCS		PCS		PCS
		PCS		PCS		PCS		PCS		PCS		PCS

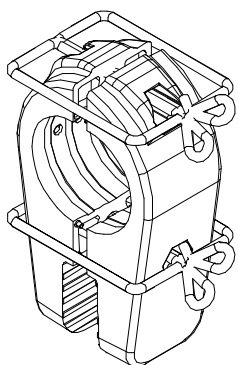
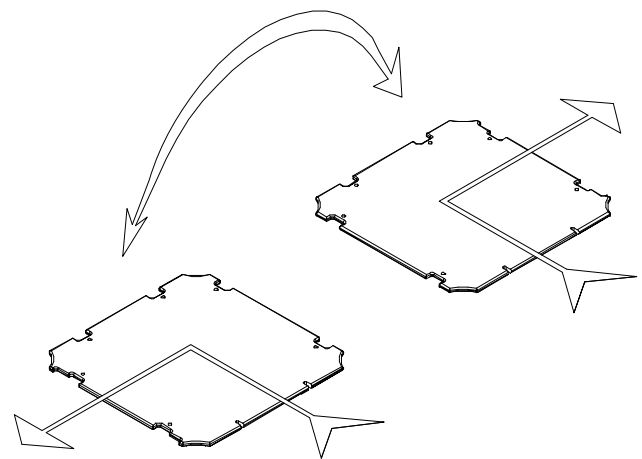


ATT ! MAX GAP between plate
and tube is 6mm
 HUOM ! MAKSIMI VÄLI lattialevyllä
ja putkella on 6mm



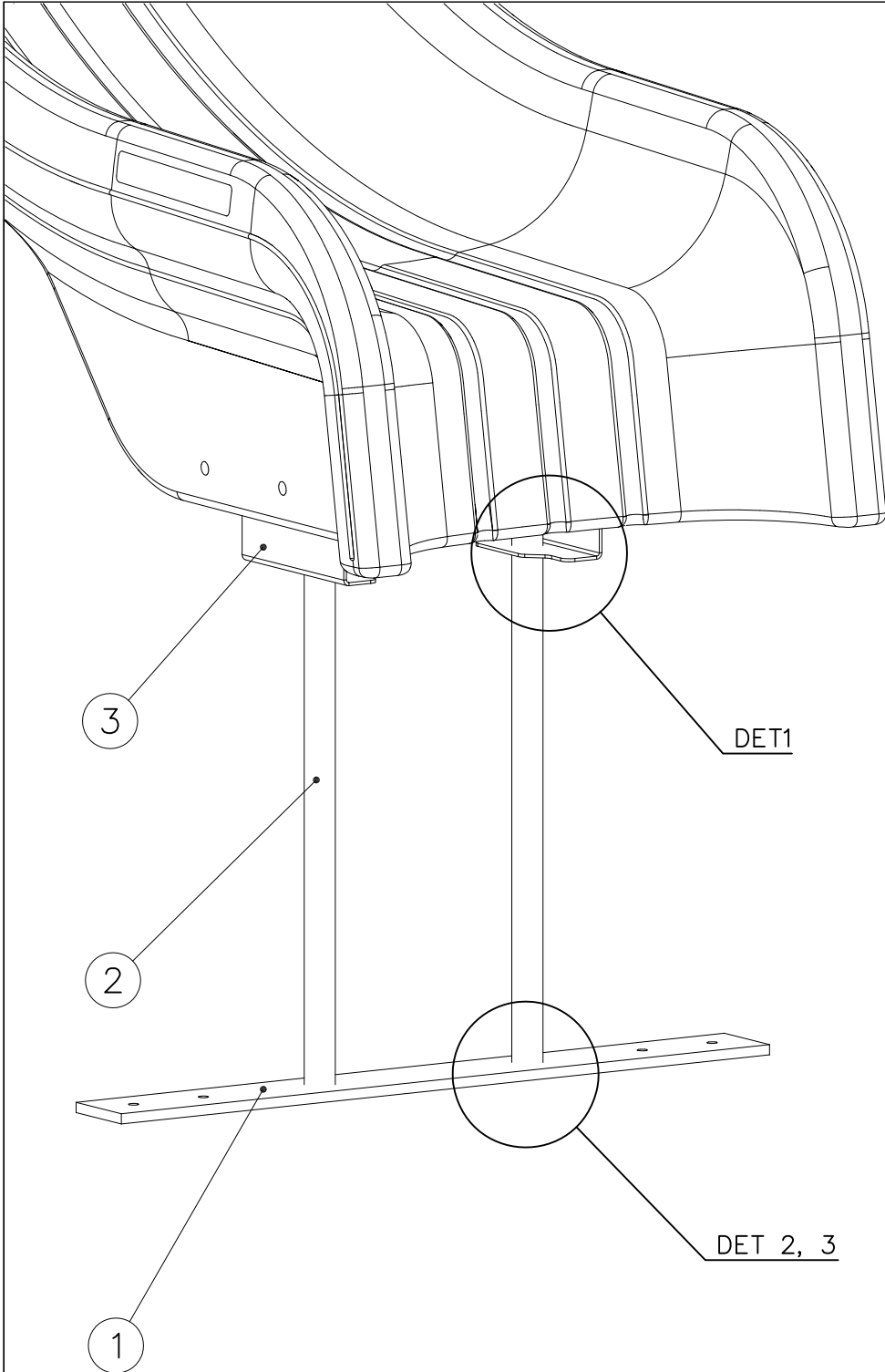
KÄYTÄ TARVITTAESSA SAMAA LEVYÄ
VASEMALLE TAI OIKEALLE.

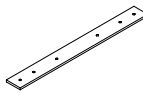
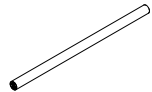
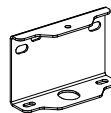


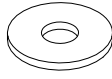
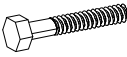

IF NECESSARY USE SAME PLATE LEFT
OR RIGHT.



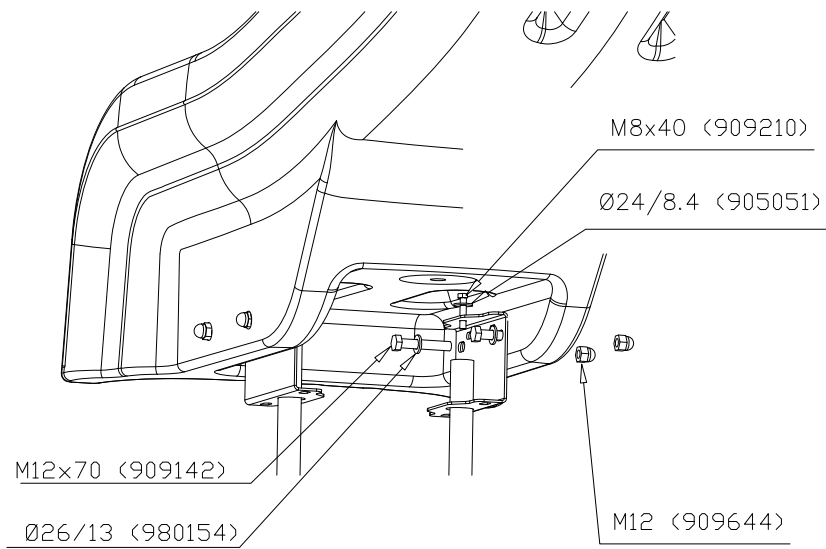
NOTE:
Use a wire marked pairs
of the same junction.

Huom!
Käytä langalla merkittyä
paria samassa liitoksessa.

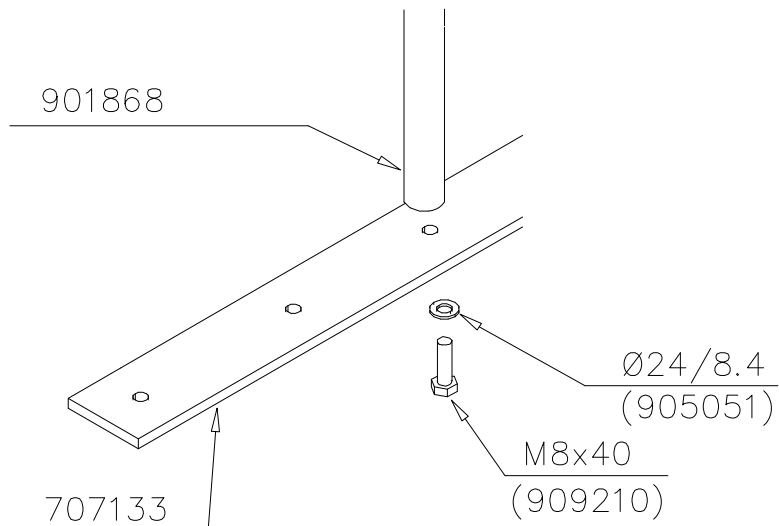


① 707133	PCS	② 901868	PCS
	1		2
10x80x745		Ø30x598	
③ 908021	PCS	④ 909210	PCS
	2		4
		M8x40	
⑤ 980154	PCS	⑥ 905051	PCS
	4		4
Ø24/13		Ø24/8.4	
⑦ 909142	PCS	⑧ 909644	PCS
	4		4
M12x70		M12	
	PCS		PCS
	PCS		PCS
	PCS		PCS
	PCS		PCS

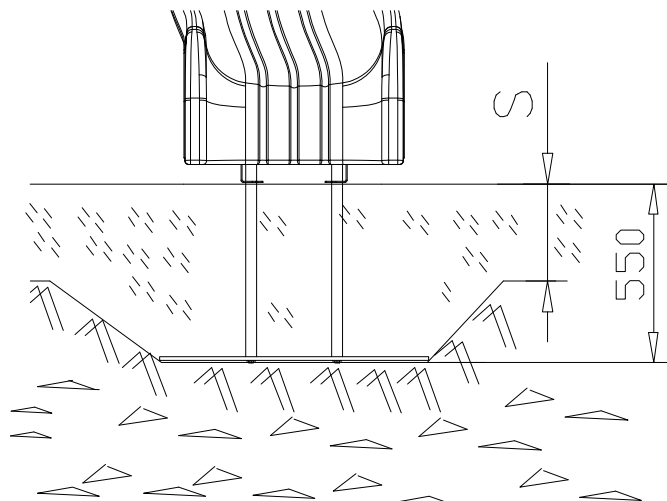
DET 1

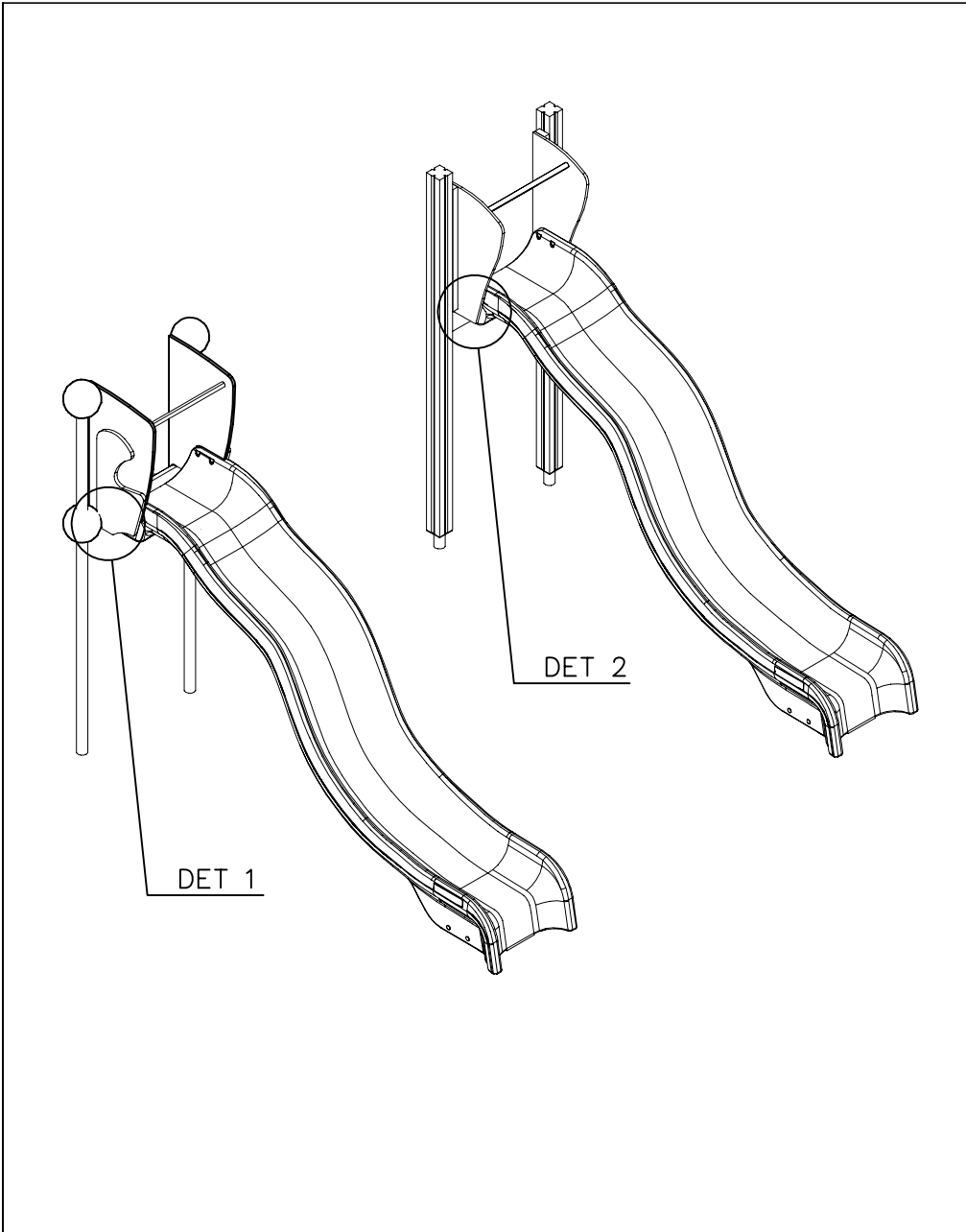


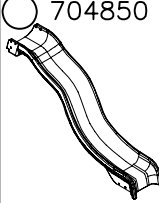
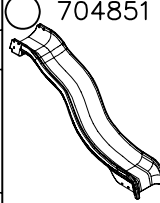
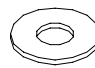
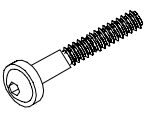
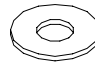
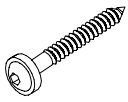
DET 2

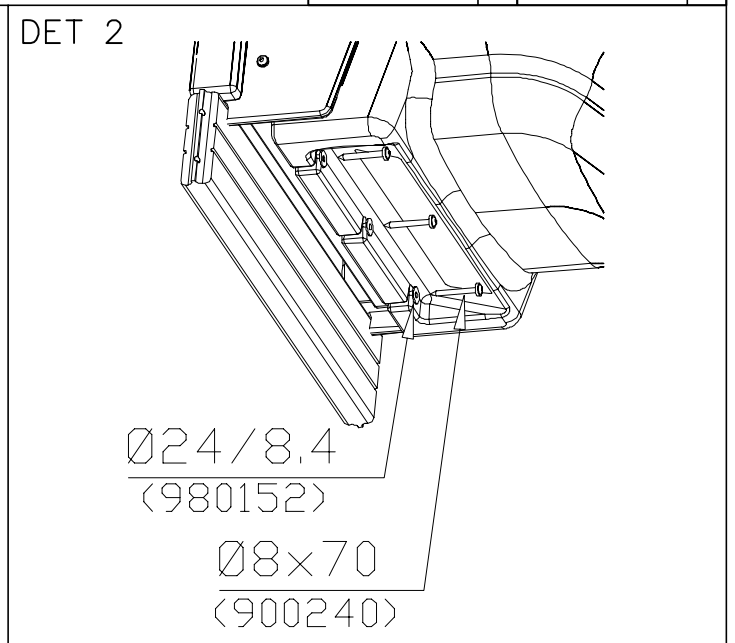
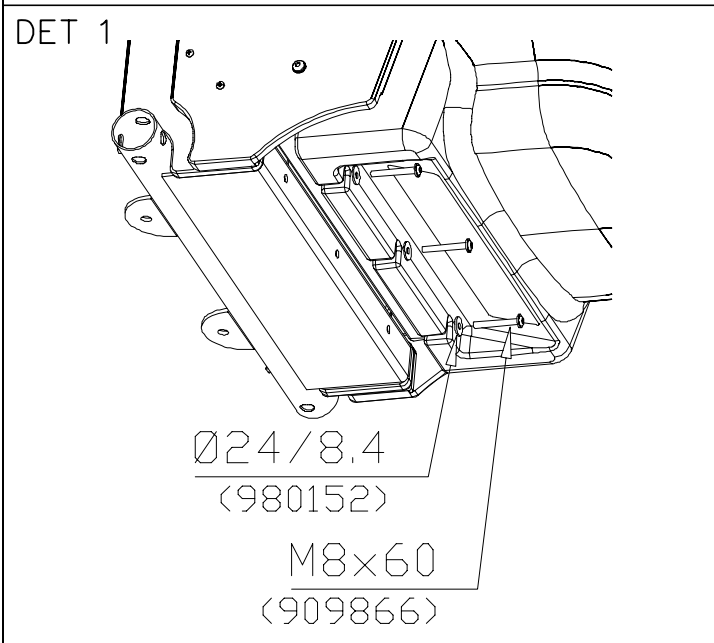


DET 3





 704850 GRAY	PCS 1	 704851 YELLOW	PCS 1
	PCS		PCS
 980152 Ø24/8.4	PCS 3	 909866 M8x60	PCS 3
OR			
 980152 Ø24/8.4	PCS 3	 900240 Ø8x70	PCS 3
	PCS		PCS



LAPPSET CLOXX & FINNO

SLIDE

11.7.2012

2(2)

