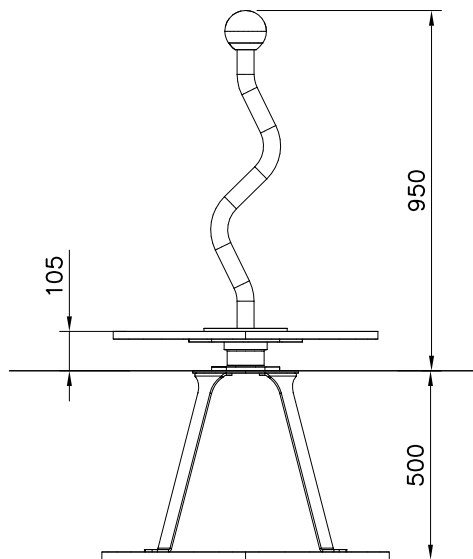
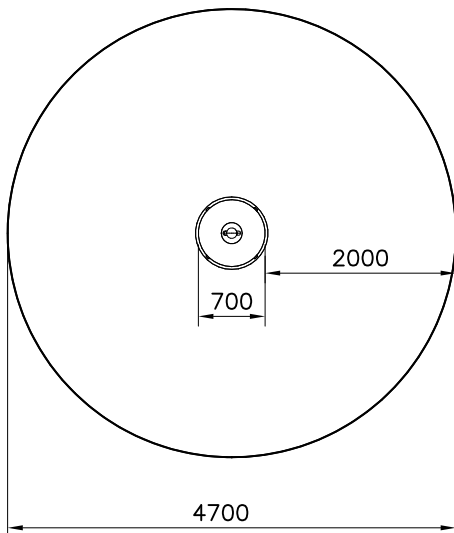


— EN Impact Area 17.5 m²
 - - - Falling Space 17.5 m²
 Max Falling Height 1000 mm



① 700453	PCS	② 700697	PCS
	1		1
③ 705101	PCS	④ 909347	PCS
	1		4
		M12x35	
⑤ 900498	PCS	⑥ 902012	PCS
	4		1
M8x50		300x82	
⑦ 909248	PCS	⑧ 909256	PCS
	4		4
M12		Ø17/8.5	
⑨ 980150	PCS	⑩ 980154	PCS
	4		8
M8		Ø24/13	
⑪ 702341	PCS		PCS
	1		
90x50			
	PCS		PCS
	PCS		PCS

