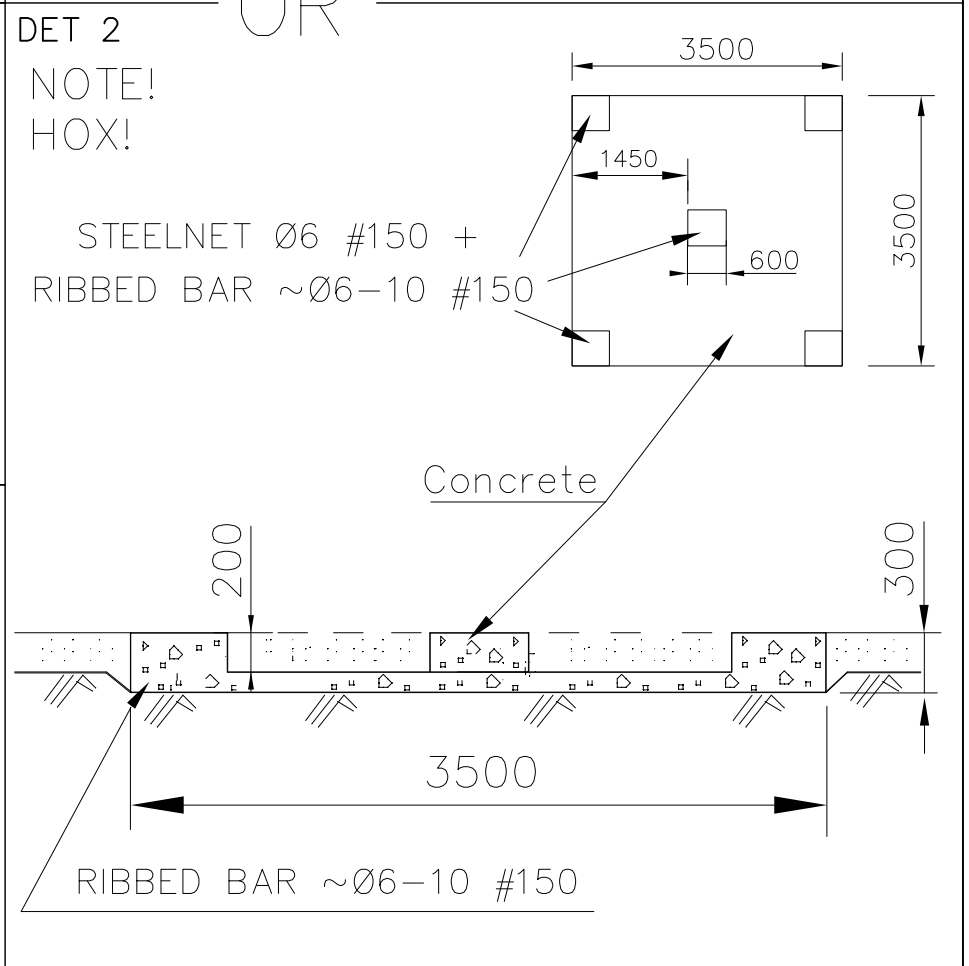
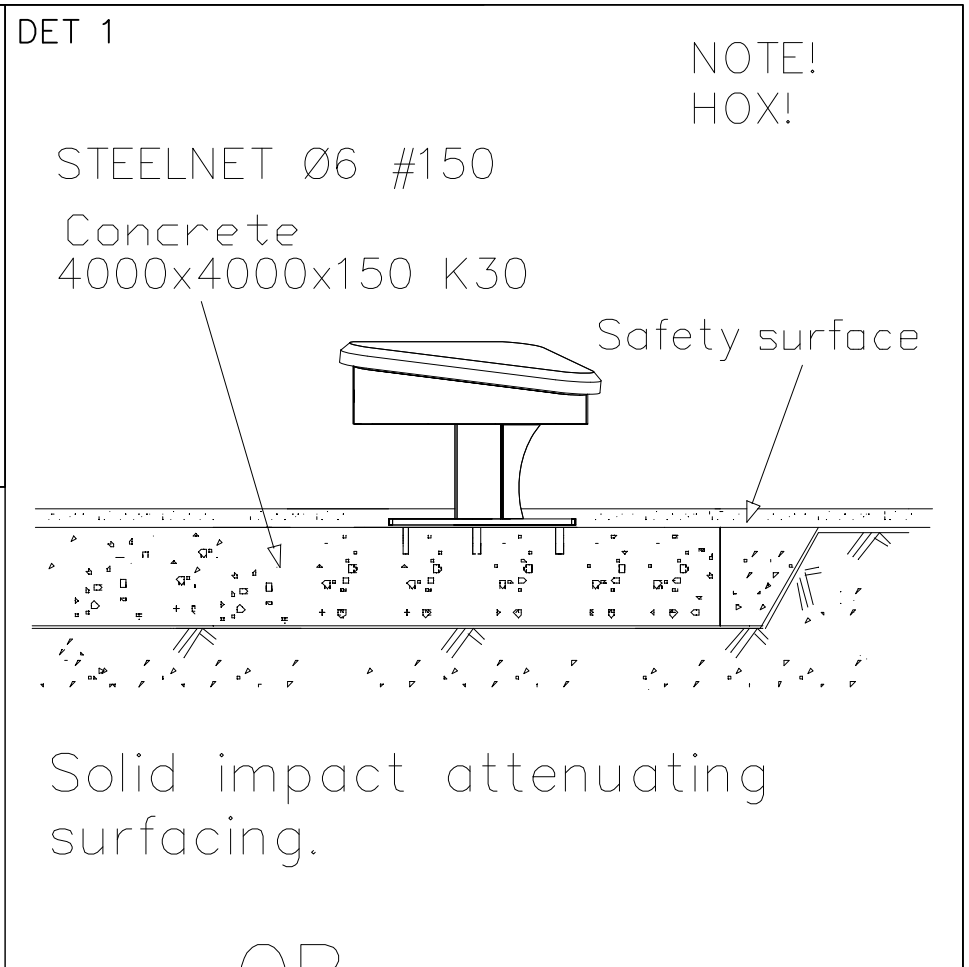
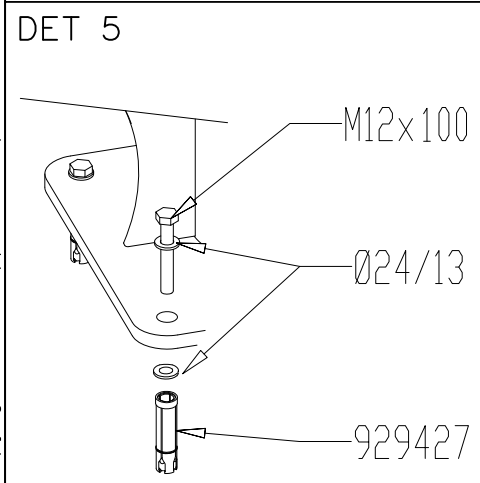
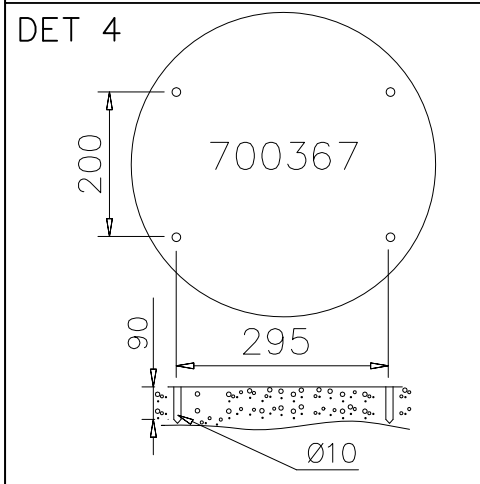
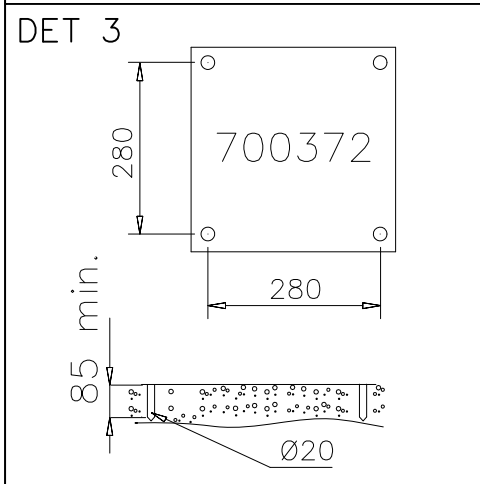
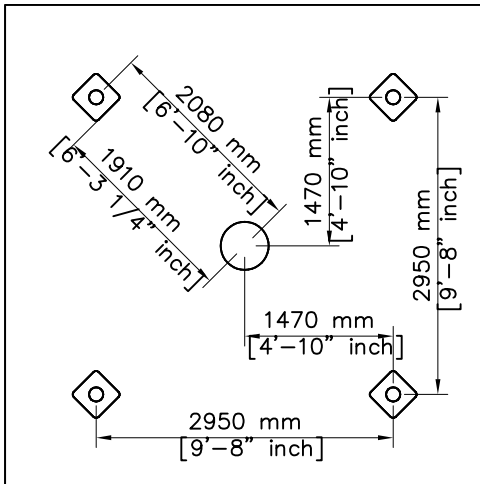
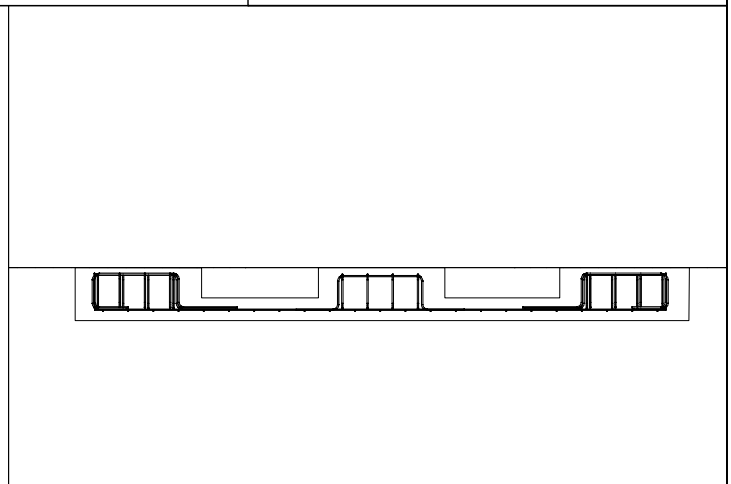
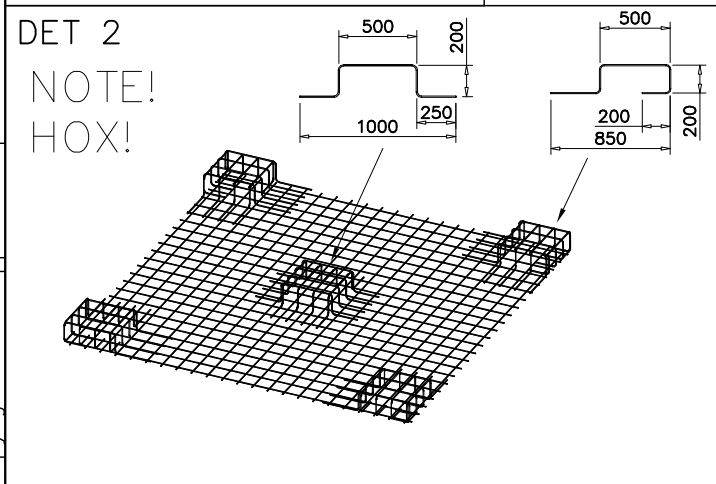
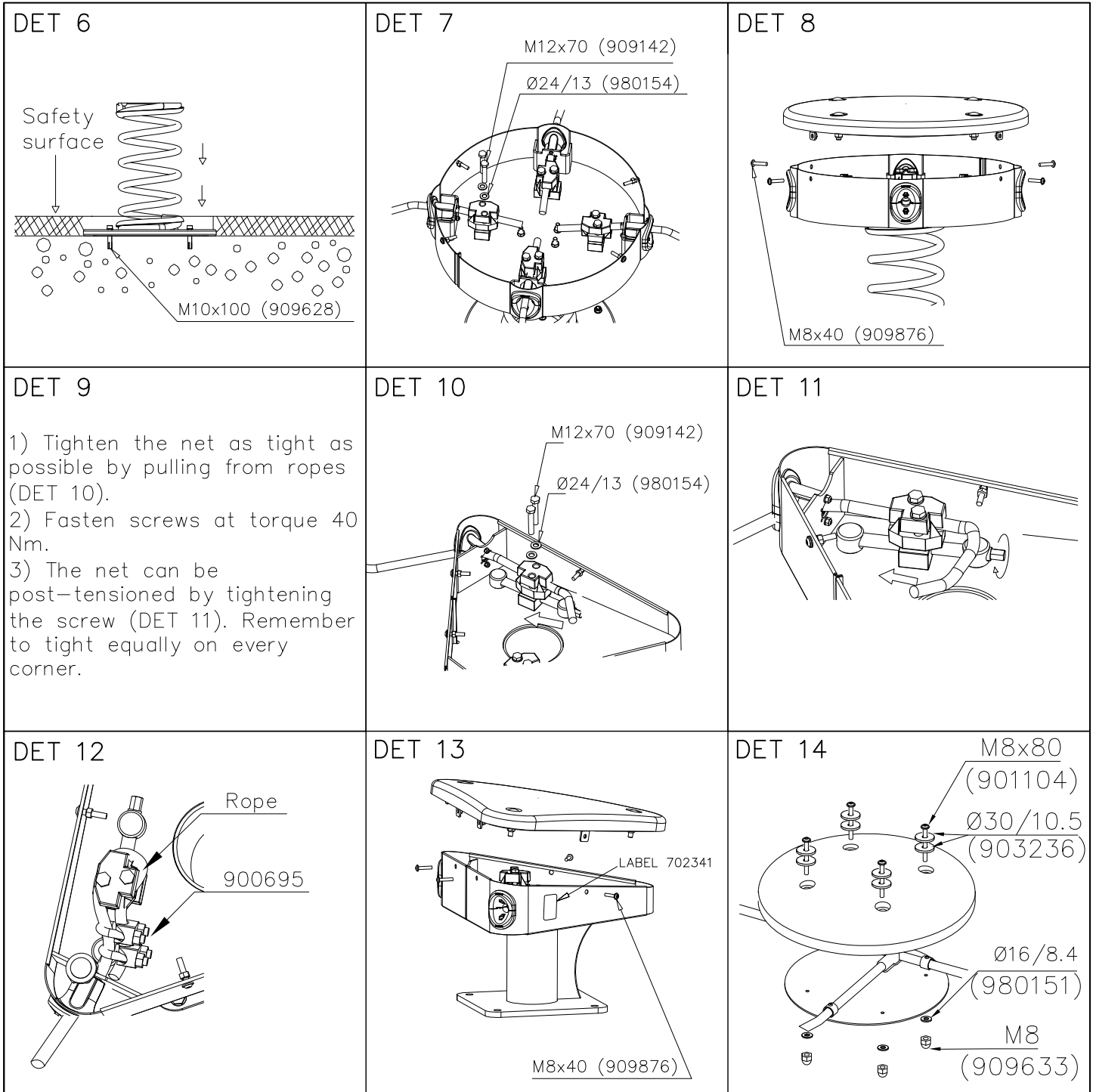


① 700367	PCS	② 700372	PCS
	1		4
Ø640x550		668x600x455	
③ 702484	PCS	④ 900695	PCS
	1		12
3300x3300		M12	
⑤ 902400	PCS	⑥ 901104	PCS
	20		80
Ø450x85		M8x80	
⑦ 909628	PCS	⑧ 702341	PCS
	4		1
M10x100		90x50	
⑨ 980154	PCS	⑩ 909141	PCS
	32		16
Ø24/13		M12x100	
⑪ 929427	PCS	⑫ 903236	PCS
	16		160
M12x80		Ø30/10.5	
⑬ 980151	PCS	⑭ 909633	PCS
	80		80
Ø16/8.5		M8	
	PCS		

EN Impact Area 38.3 m<sup>2</sup> (412 sq ft)  
 Max falling height 100 cm (3'-3 1/2" in)





DET 15

Retighten when  
necessary

20–50mm

Note:  
Properly tightened rope  
hangs approx. 20–50mm  
below vertical.

