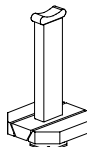
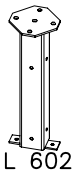
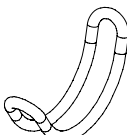
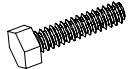




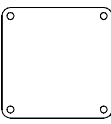

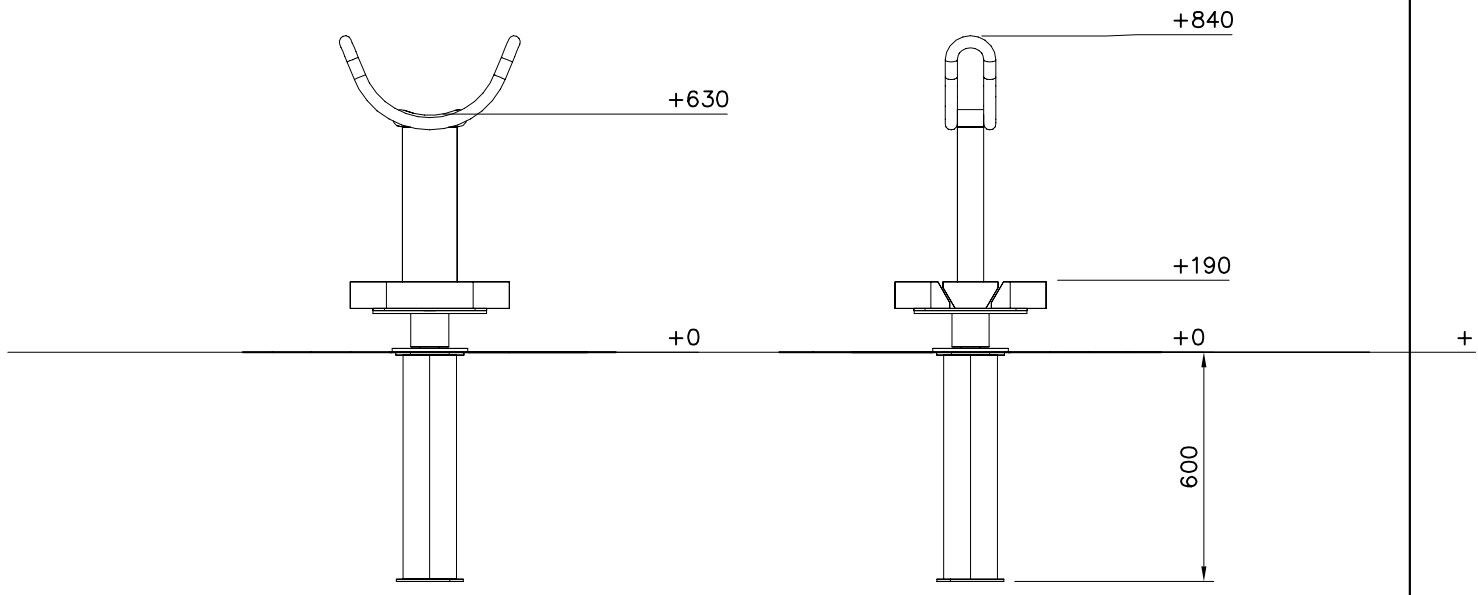
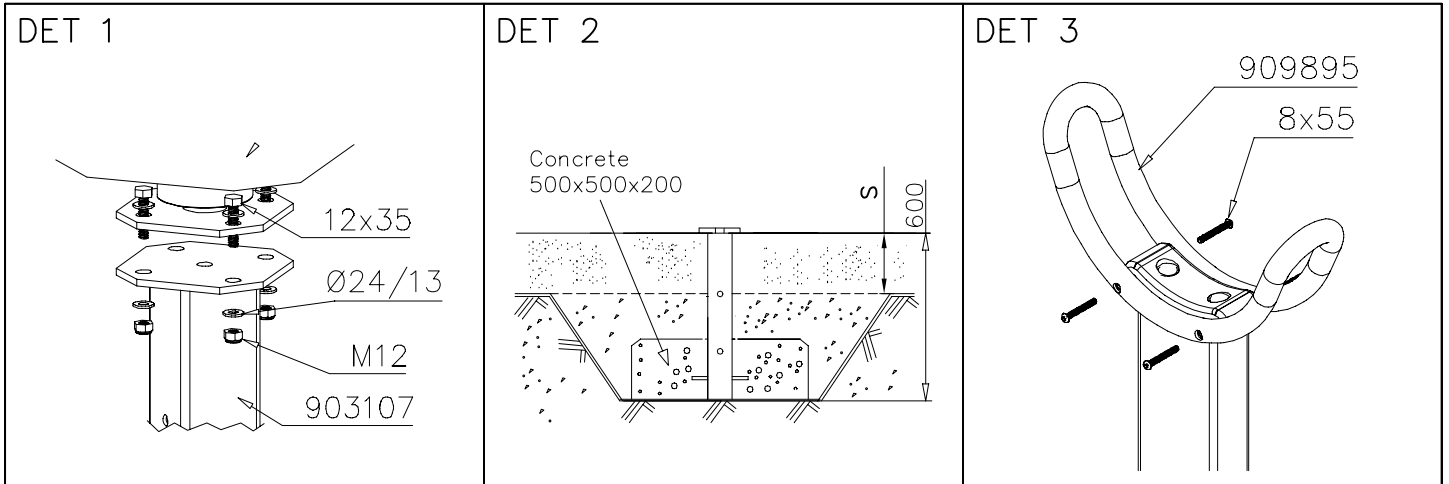


① 009339	PCS	② 903107	PCS
	1		1
		L 602	
③ 909895	PCS	④ 909347	PCS
	1		4
		M12x35	
⑤ 909851	PCS	⑥ 980154	PCS
	4		8
8x55		Ø24/13	
⑦ 909248	PCS	⑧ 702286	PCS
	4		1
M12		90x50	
⑨ 902487	PCS	⑩ 909506	PCS
	1		4
65x65		Ø3.5x13 A2	
	PCS		PCS
	PCS		PCS
	PCS		PCS



EN Impact Area 9.5 m²
 Max falling height 1000 mm.

