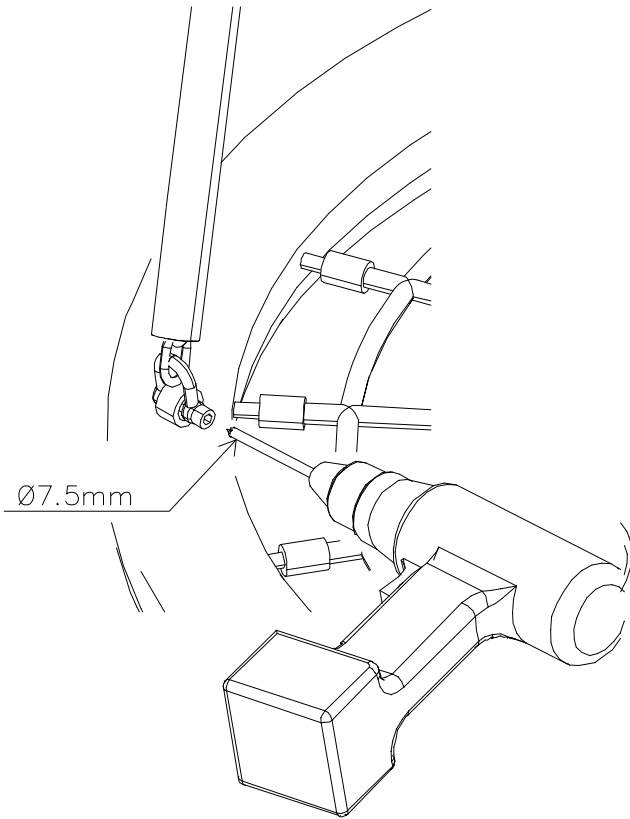
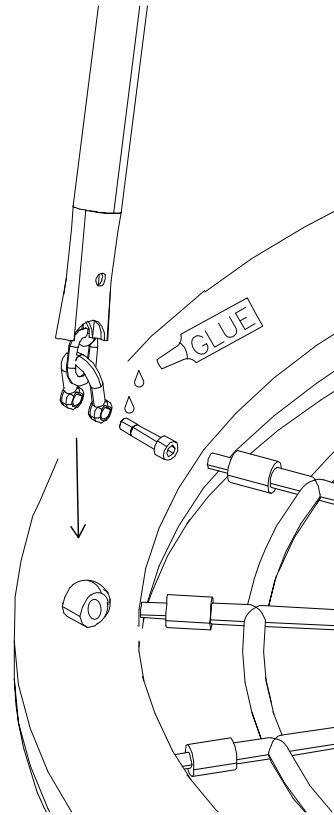


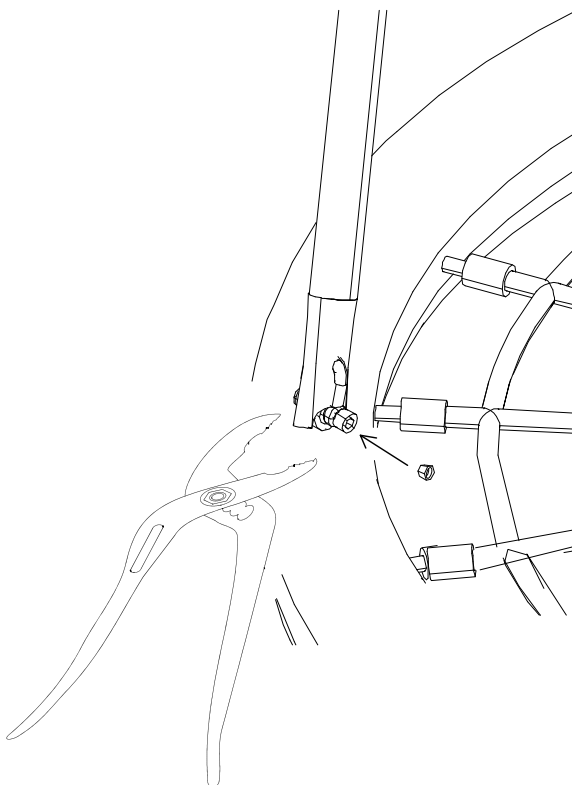
DET 1 REMOVE OLD SAFETY PIN.



DET 2 INSTALL NEW CHAIN'S.



DET 3 INSERT NEW SAFETY PIN.



DET 4 INSTALL SAFETY CHAIN'S
(Not included).

