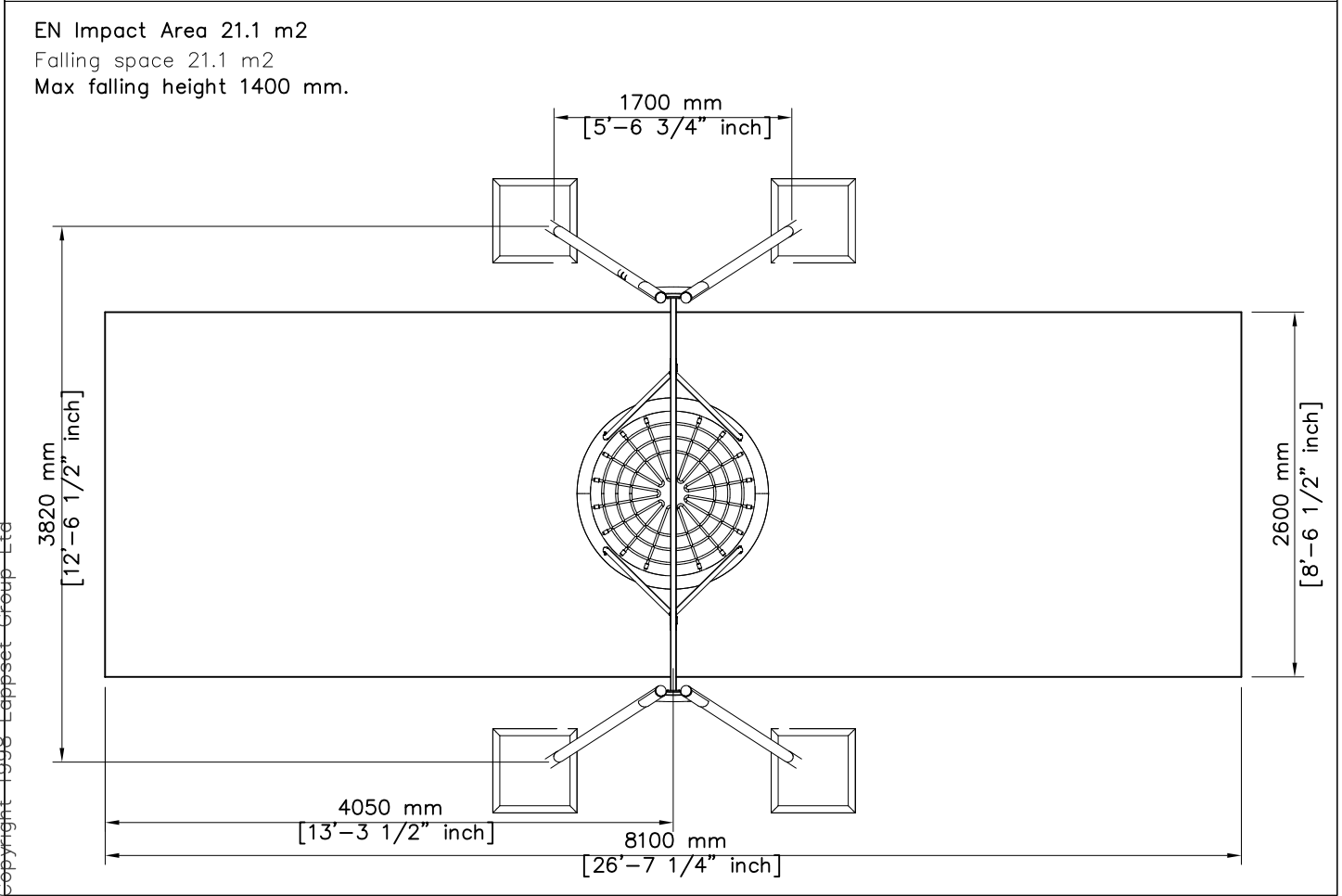
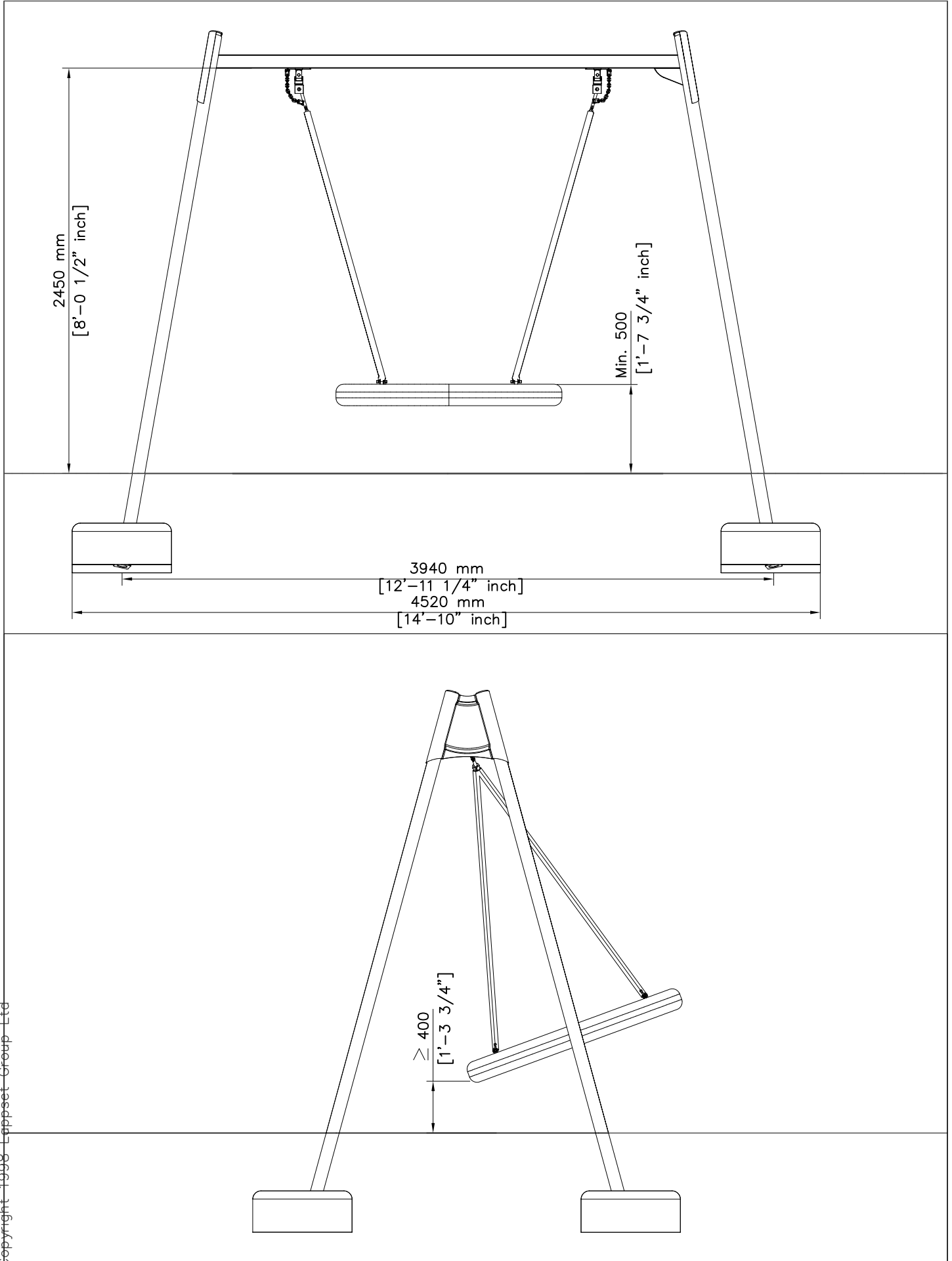
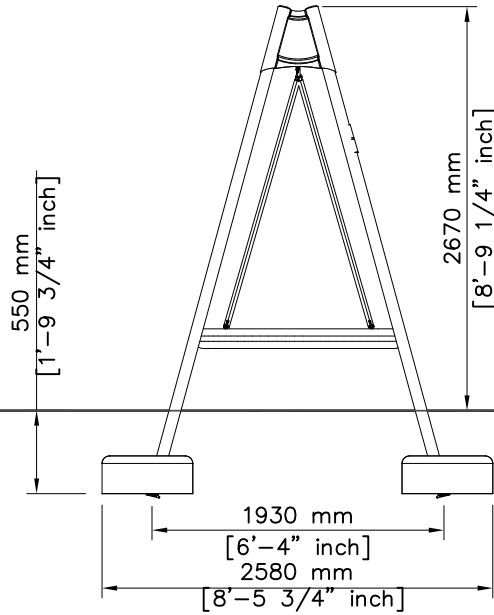


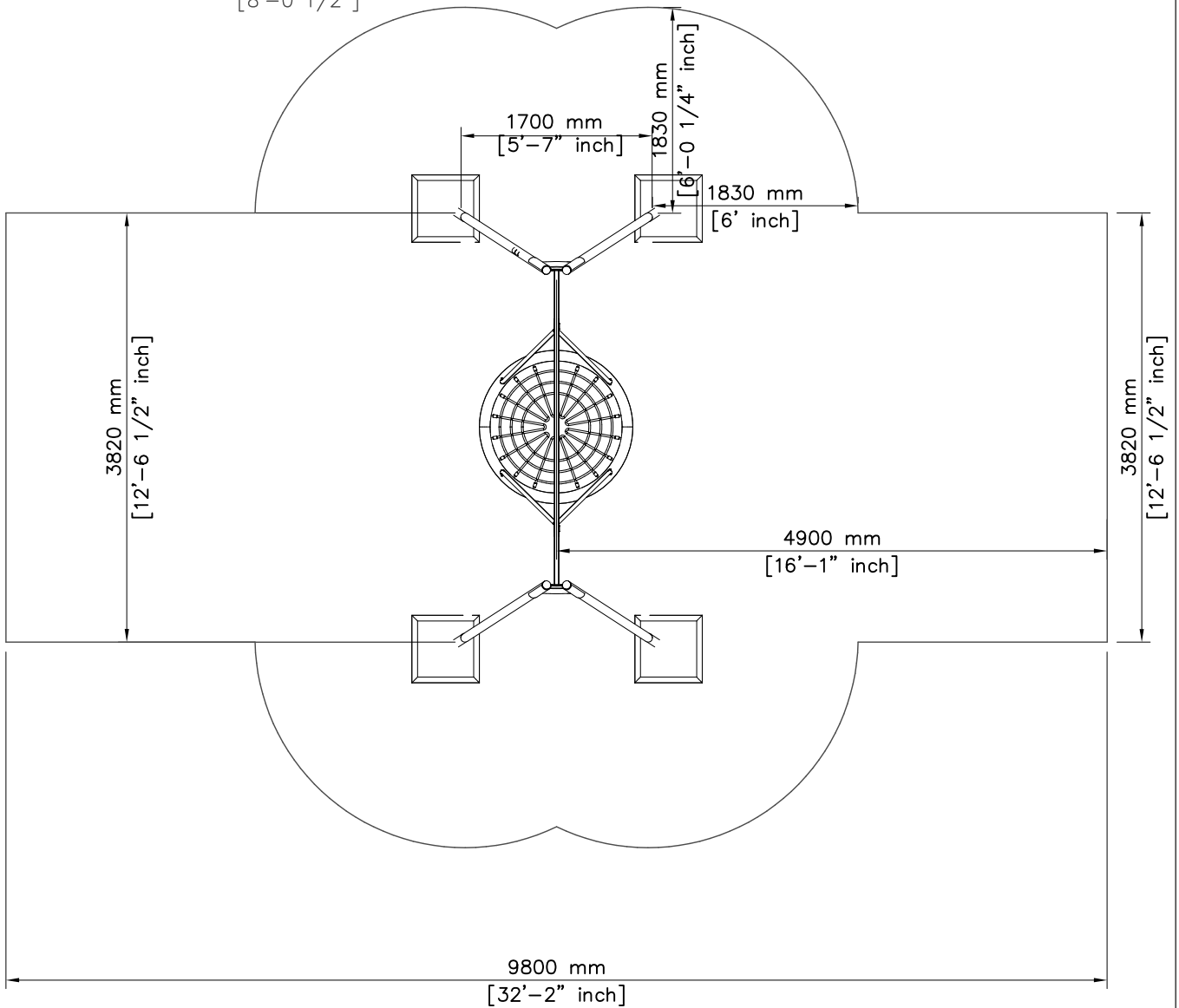
EN Impact Area 21.1 m²
Falling space 21.1 m²
Max falling height 1400 mm.







ASTM Use Zone 535 sq ft
Max Fall Height 2450 mm
[8'-0 1/2"]



DET A

Ø24/13 (980154)
 M12x30 (903149)
 M12 (909644) 80Nm (M12)
 M10 (900965) 45Nm (M10)
 M10x25 (909639)
 Ø20/10.5 (909638)

- M12x30 2 pcs
- Ø24/13 4 pcs
- M12 2 pcs
- M10x25 2 pcs
- Ø20/10.5 4 pcs
- M10 2 pcs
- 905991 1 pcs

DET A1

999561
 GLUE
 Ø24/13 (980154)
 905115
 12x35 (909347)
 905090

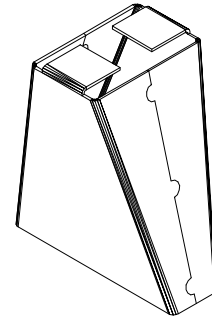
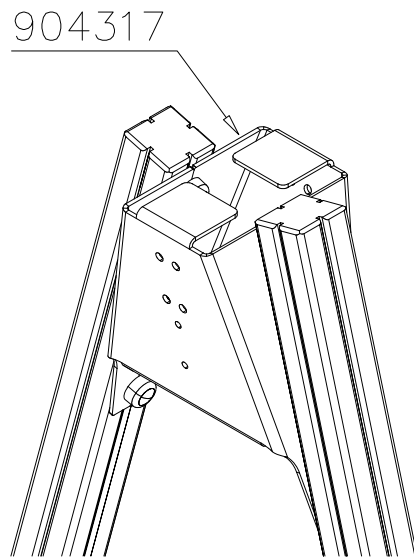
- M12x35 6 pcs
- Ø24/13 6 pcs
- Ø45 6 pcs
- Ø30 6 pcs
- GLUE

DET B

Ø24/13 (980154)
 M12x30 (903149)
 M12 (909644) 80Nm
 M10 (900965) 45Nm
 M10x25 (909639)
 Ø20/10.5 (909638)

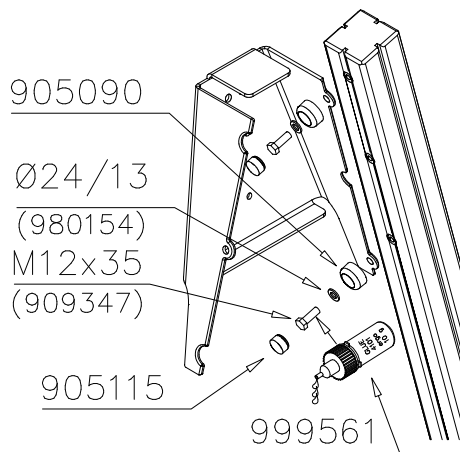
- M12x30 2 pcs
- Ø24/13 4 pcs
- M12 2 pcs
- M10x25 2 pcs
- Ø20/10.5 4 pcs
- M10 2 pcs

DET B



904317

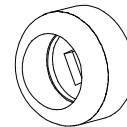
DET B1



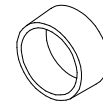
M12x35 6 pcs



Ø24/13 6 pcs



Ø45 6 pcs

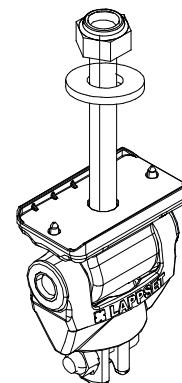
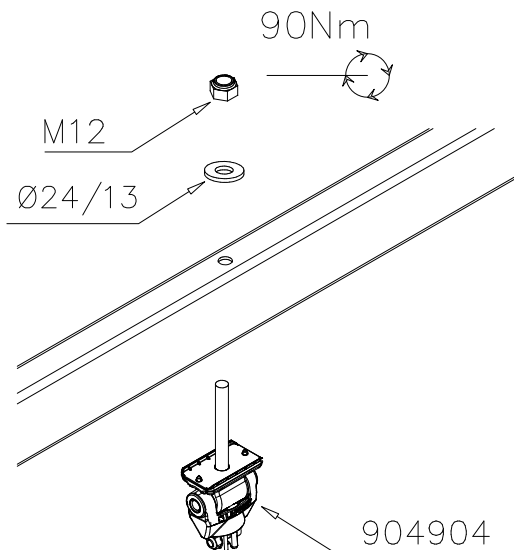


Ø30 6 pcs



GLUE

DET C



904904

DET D

90Nm

M12x110 (906499)

Ø24/13 (980154)

901958

M8x35

Ø24/13 (980154)

M12 (902234)

M8

CUT EXTRA CHAIN

M12x110 2 pcs

Ø24/13 4 pcs

M12 2 pcs

901958 1 pcs

DET D

903577

903577 1 pcs

DET E

6x60 980131

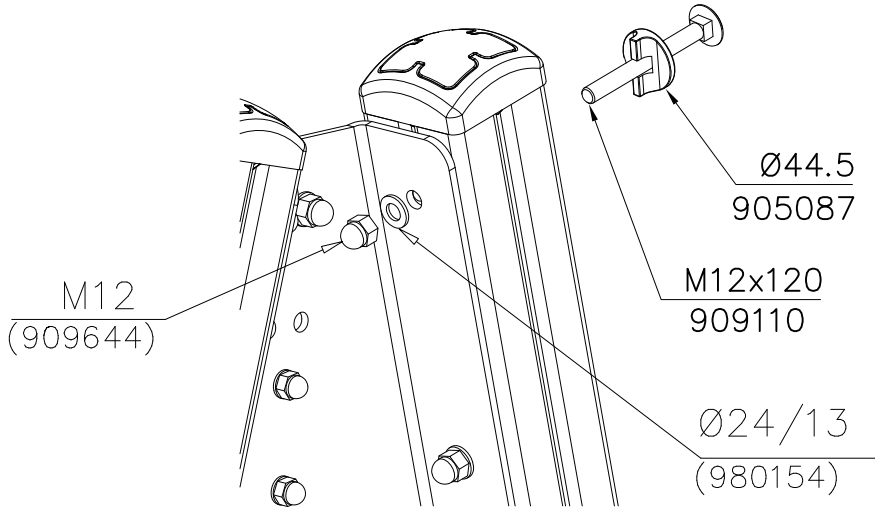
980131 4 pcs

905138 1 pcs

905196 1 pcs

REF: SWING
DATE: 29.6.2022

DET F



DET G

