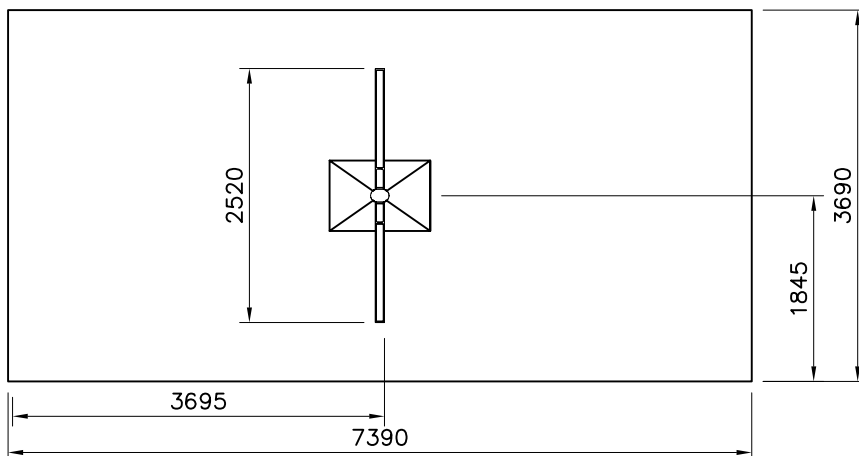
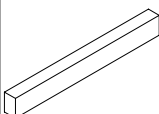
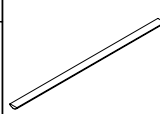
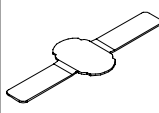

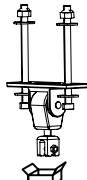
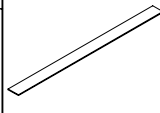
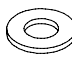
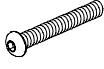
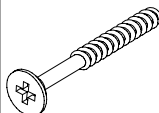
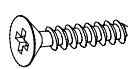


EN Impact Area 27.3 mm
 MAX FALLING HEIGHT 1200 mm.



① 702754	PCS	② 006895	PCS
	2		2
L 1200		L 2050	
③ 929344	PCS	④ 902523	PCS
	1		1
		120x120x3000	
⑤ 702738	PCS	⑥ 905994	PCS
	4		2
		L 967	
⑦ 980151	PCS	⑧ 909851	PCS
	6		6
Ø16/8.4		M8x55	
⑨ 980107	PCS	⑩ 980129	PCS
	10		8
Ø6x60		Ø5x35	
	PCS		PCS
	PCS		PCS
	PCS		PCS

<p>DET 1</p> <p>Concrete 800x800x350</p> <p>S 800</p>	<p>DET 2</p> <p>M16</p>	<p>DET 3</p> <p>006895</p> <p>M8x55</p> <p>Ø16/8.4</p>
<p>DET 4</p> <p>Ø6x60</p>	<p>DET 5</p> <p>Ø5x35</p>	