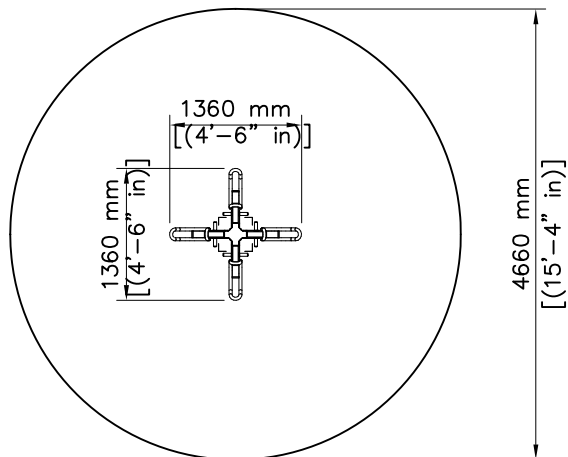


EN Impact Area 17.1 m² (184 sq ft)
Max falling height 1000 mm. (3'-3" in)



①	001105	PCS	②	009922	PCS
		1			4
③	909895	PCS	④	009924	PCS
		4			1
⑤	009917	PCS	⑥	909215	PCS
		1			4
				M16x280	
⑦	903158	PCS	⑧	909520	PCS
		8			8
	M16			Ø30/17	
⑨	909196	PCS	⑩	909203	PCS
		4			2
	M8x220			8x75	
⑪	980151	PCS	⑫	909851	PCS
		10			16
	Ø16/8.4			8x55	
⑬	905023	PCS			8
⑭	905112	PCS	⑮	905103	PCS
		8			2
	Ø22			PT-28/32	
⑯	980150	PCS			4
				M8	
⑰	702341	PCS			PCS
		1			PCS
	LAPPSET Group Ltd 125456 15000 100 1. June 2012 EN 505-1-1000-100				
	90x50				

<p>DET 1</p> <p>Concrete 700x700x330</p> <p>S</p> <p>1000</p>	<p>DET 2</p> <p>909215</p> <p>009917</p> <p>60</p> <p>280</p>	<p>DET 3</p> <p>M16</p>
<p>DET 4</p> <p>M16</p> <p>Ø30/17</p>	<p>DET 5</p> <p>M8x75</p> <p>905103</p> <p>Ø16/8.4</p> <p>009924</p>	<p>DET 6</p> <p>M8</p> <p>905023</p> <p>2xØ16/8.4</p> <p>905112</p> <p>M8x220</p>
<p>DET 7</p> <p>909895</p> <p>M8x55</p>		