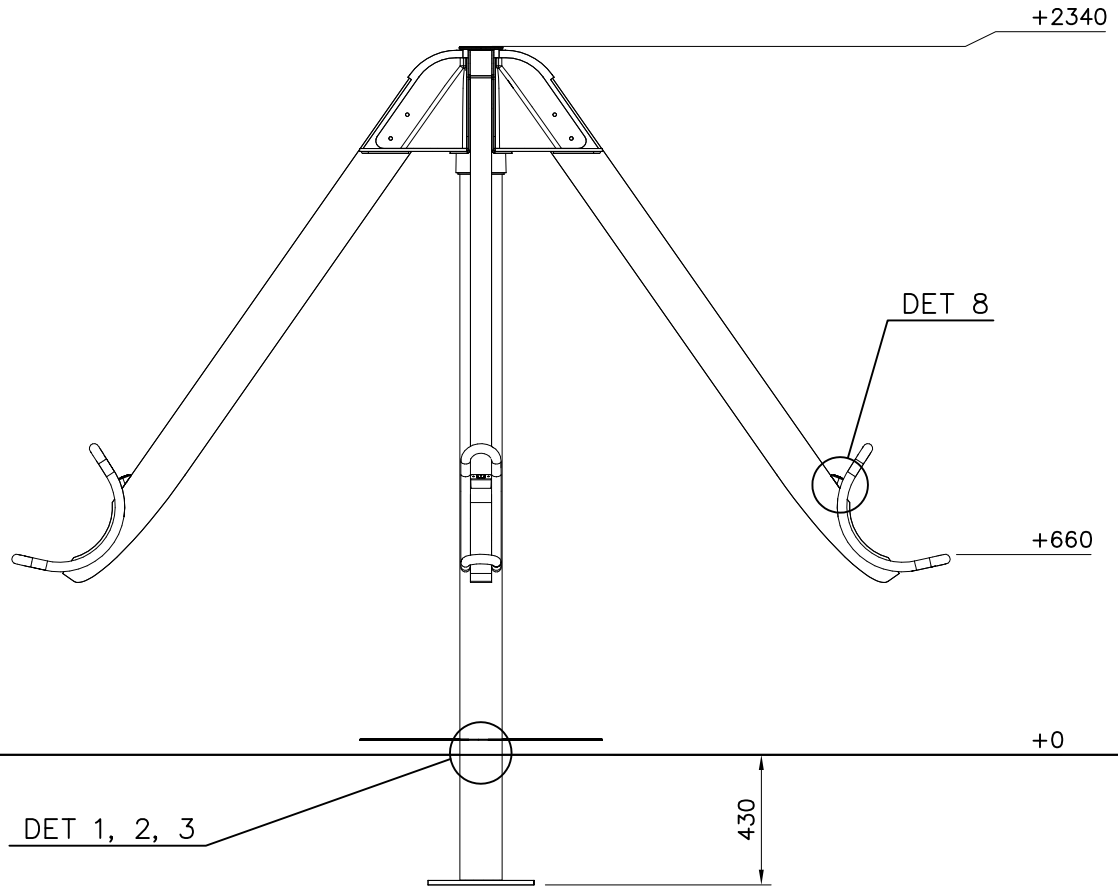


① 907793 -216	PCS 1	② 009902	PCS 4
③ 009917	PCS 1	④ 009913	PCS 4
⑤ 708428	PCS 1	⑥ 909895	PCS 4
⑦ 909215	PCS 4	⑧ 900684	PCS 4
M16x280			
⑨ 900685	PCS 4	⑩ 909855	PCS 16
		M8x35	
		⑪ 909520	PCS 8
		Ø30/17	
⑫ 909256	PCS 66	⑬ 980150	PCS 24
		M8	
		⑭ 906503	PCS 8
		M8x120	
⑮ 980103	PCS 8	⑯ 903158	PCS 8
Ø4x50		M16	
		⑰ 909210	PCS 2
		M8x40	
		⑱ 909851	PCS 16
		M8x55	
⑲ 905097	PCS 8	⑳ 905083	PCS 34
M16		Ø32	
		㉑ 905112	PCS 34
		Ø22	
		㉒ 702341	PCS 1
		90x50	

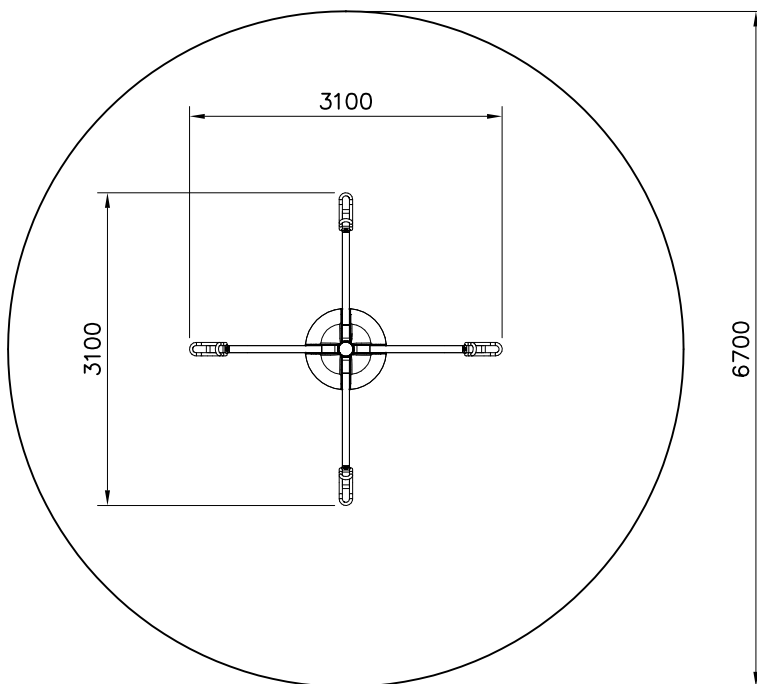


1:25

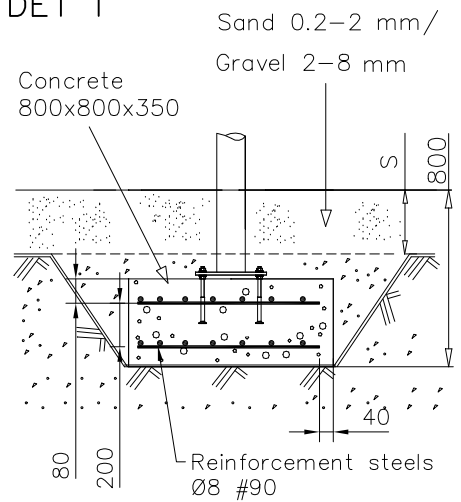


1:75

En Impact Area 35.3 m².
Max falling height 1000 mm.



DET 1



DET 2

