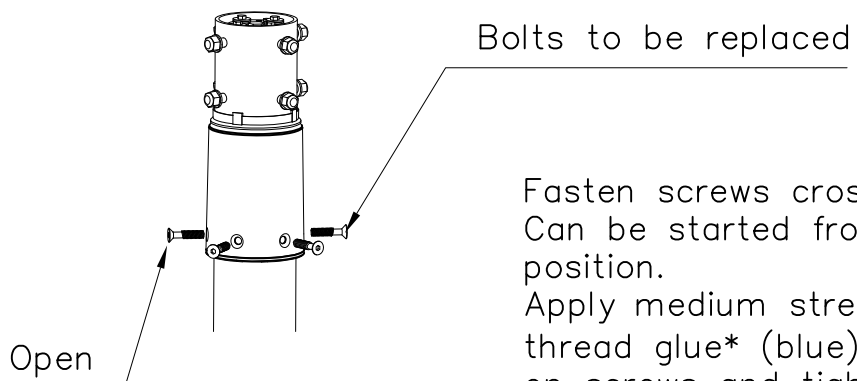
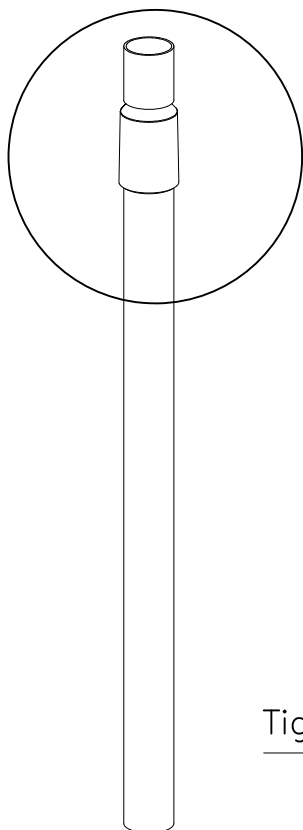
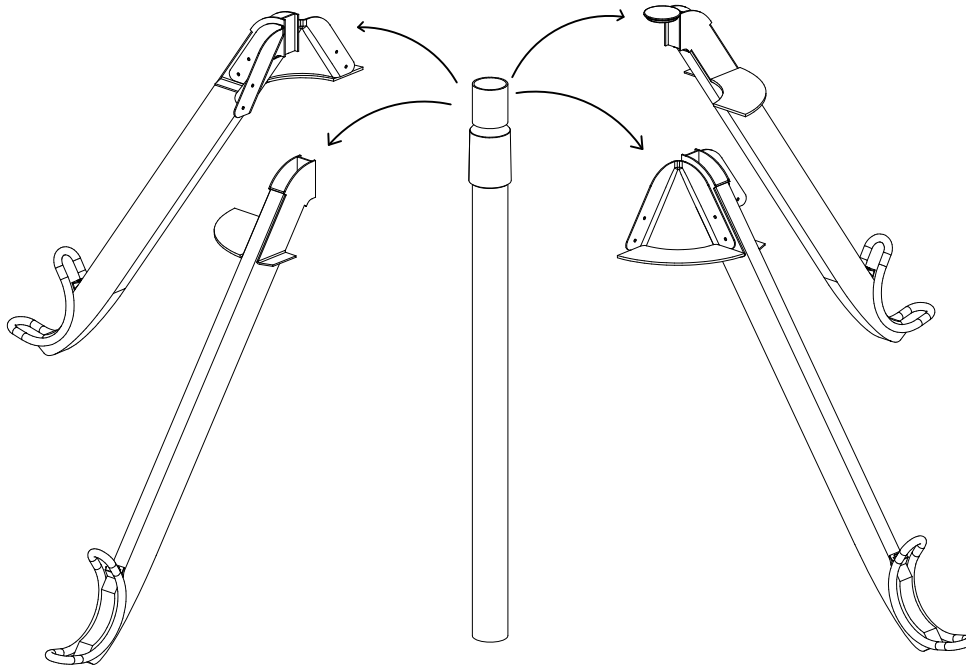
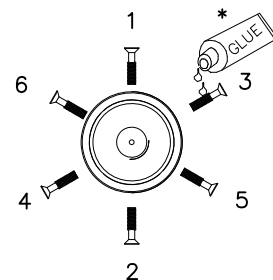
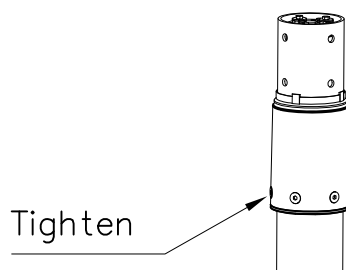


Remove shafts



Fasten screws crosswise.
Can be started from any position.
Apply medium strength thread glue* (blue) on screws and tighten to 110Nm.



NOTICE!

Make sure multijoint and post shoulder are in contact