

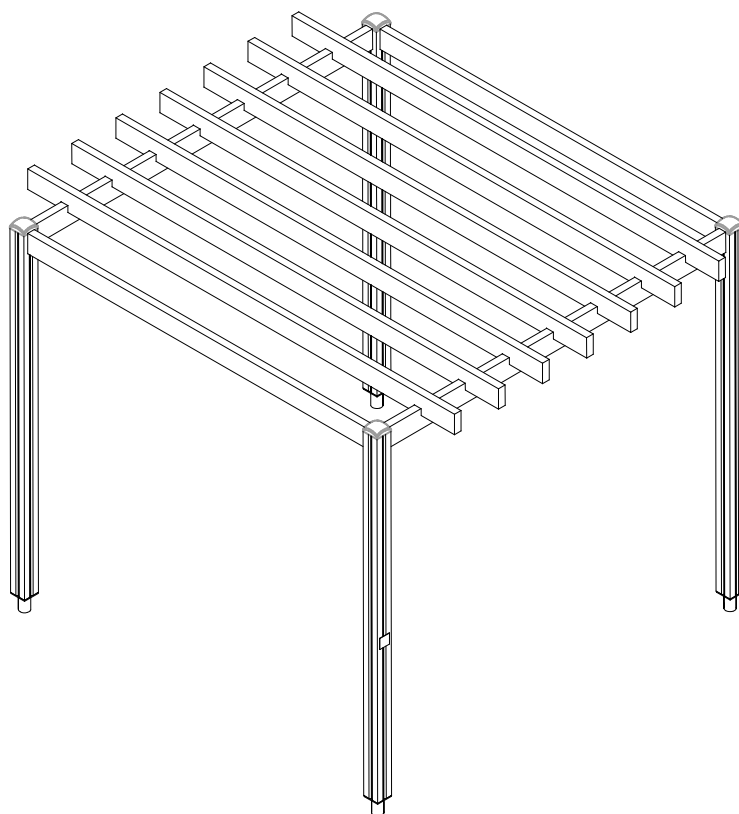
LAPPSET®

FINNO


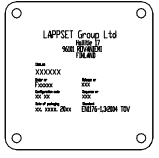

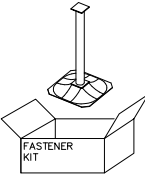
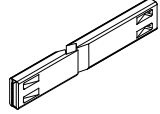
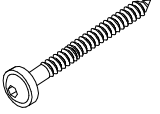
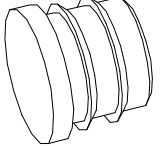
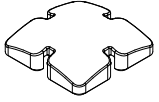
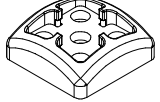

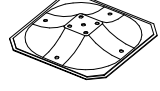
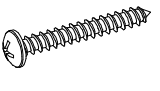
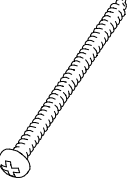
ASENNUSOHJE
MONTERINGSANSVISNING
INSTALLATION INSTRUCTION
AUFBAUANLEITUNG
NOTICE D'INSTALLATION

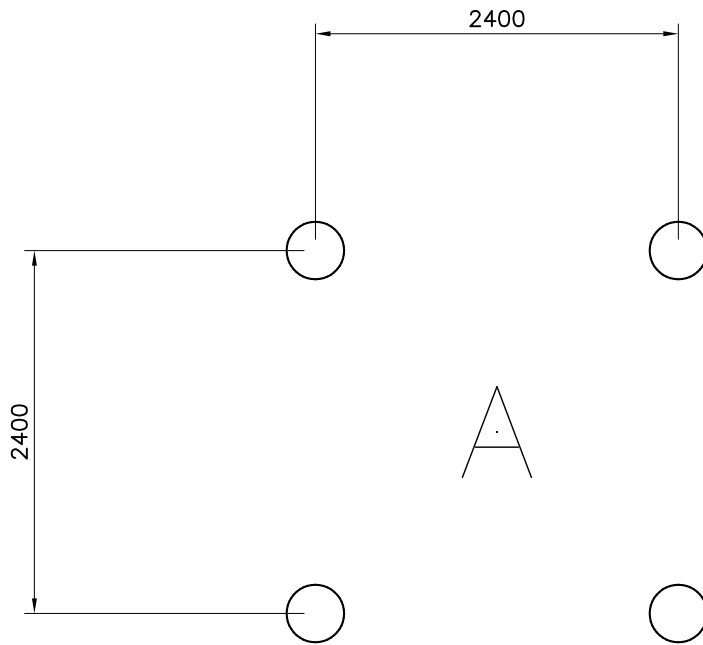
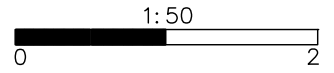
DATE: 29.5.2019

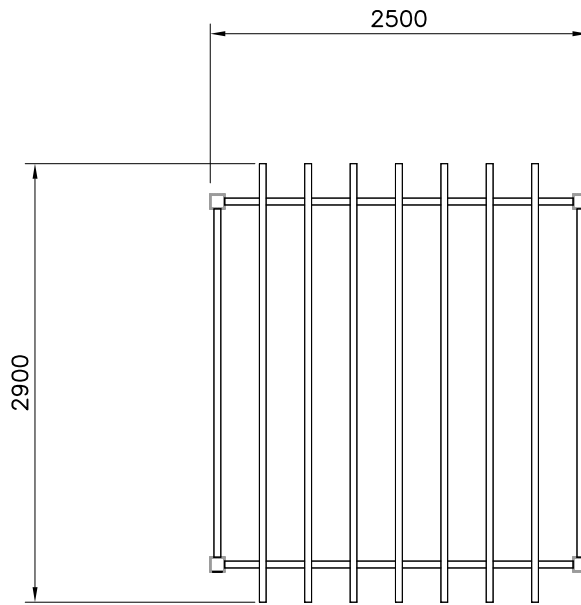
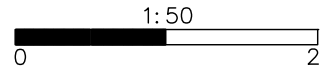
Q13262-1

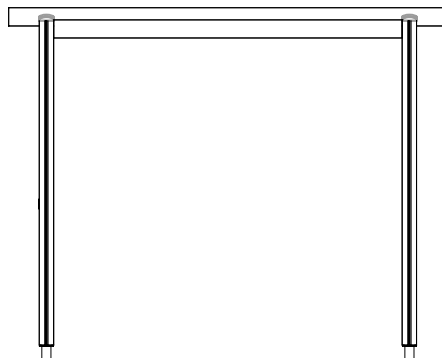
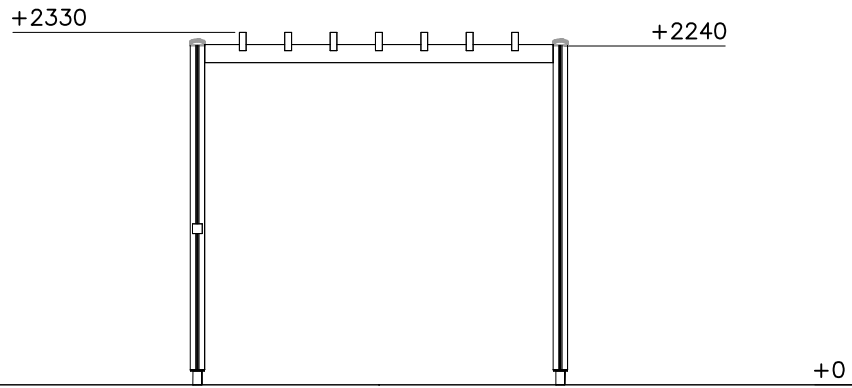


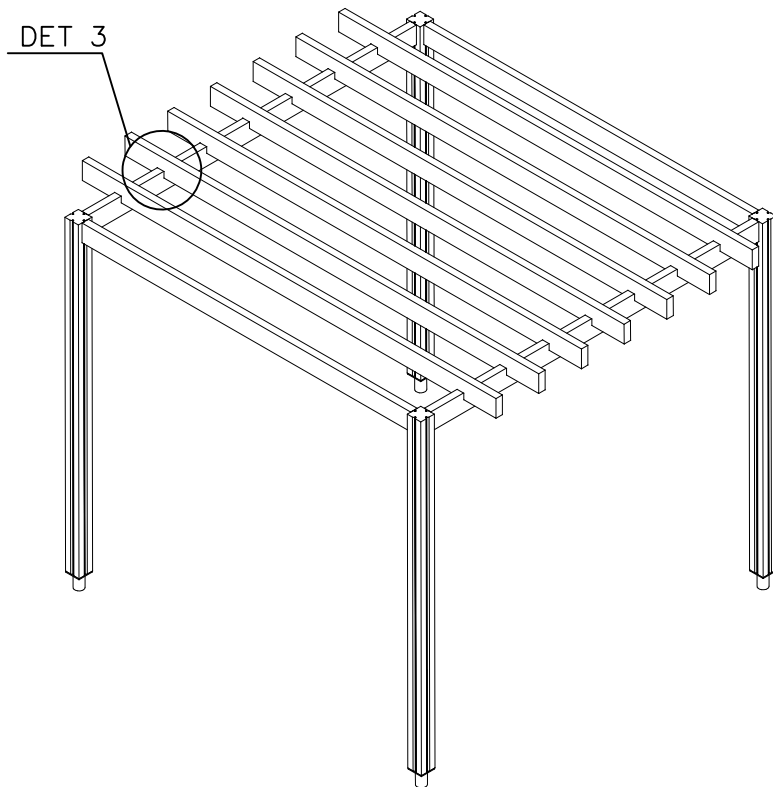
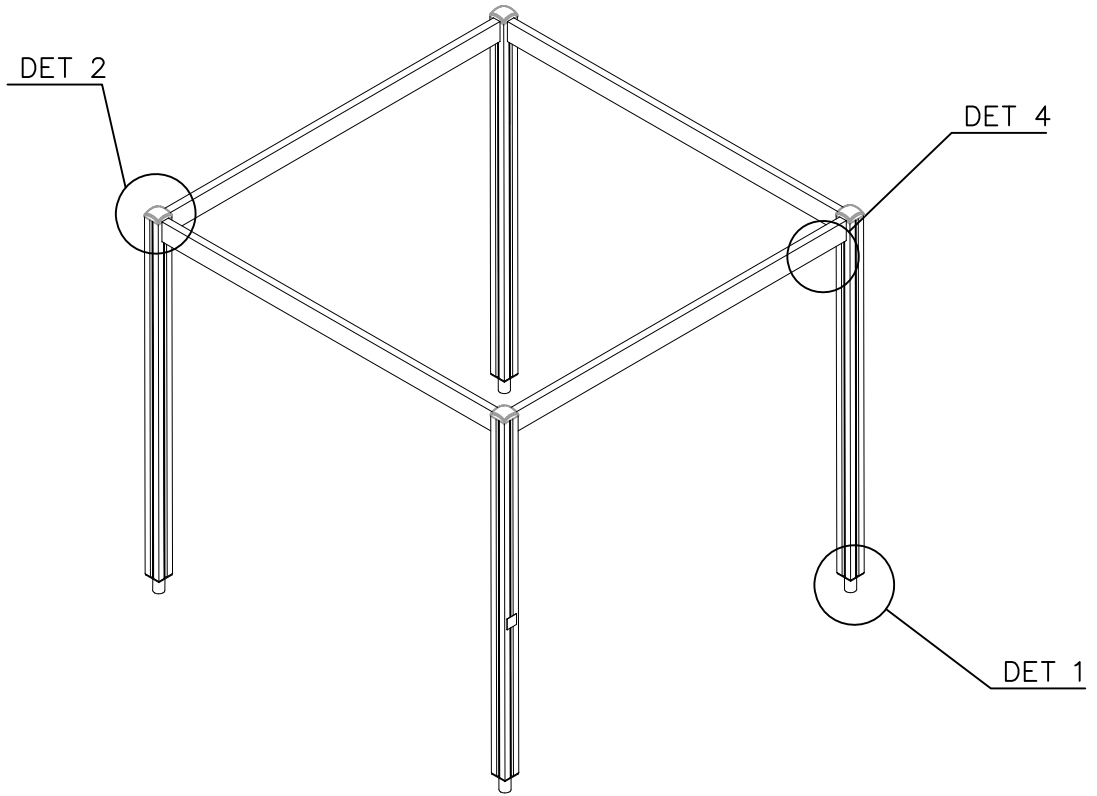
DATE: 29.5.2019

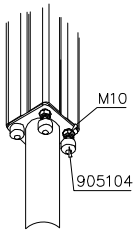
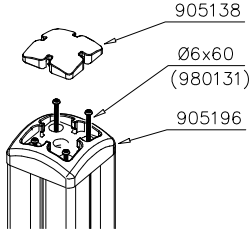
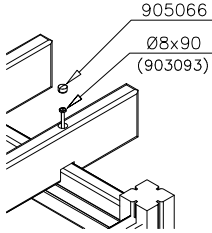
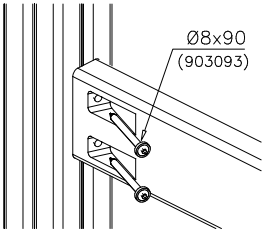
| | | | | | | | | | | | |
|-----------------------------------------------------------------------------------|-----|-----------------------------------------------------------------------------------|-----|-----------------------------------------------------------------------------------|-----|-----------------------------------------------------------------------------------|-----|-------------------------------------------------------------------------------------|-----|-------------------------------------------------------------------------------------|-----|
| 007300-604 | PCS | 702286 | PCS | 706484-604 | PCS | 706531 | PCS | 707295-604 | PCS | 903093 | PCS |
|  | 7 |  | 1 |  | 4 |  | 4 |  | 4 |  | 30 |
| 45x120x2900 | | 65x65 | | 93x93x2150 | | | | L 2304 | | Ø8x90 | |
| 905066 | PCS | 905138 | PCS | 905196 | PCS | 909511 | PCS | 909519 | PCS | 980114 | PCS |
|  | 14 |  | 4 |  | 4 |  | 4 |  | 4 |  | 4 |
| S30H | | GRAY | | GRAY | | 90x90x650 | | 50x380x380 | | Ø4x20 | |
| 980131 | PCS | | PCS | | PCS | | PCS | | PCS | | PCS |
|  | 16 | | | | | | | | | | |
| Ø6x60 | | | | | | | | | | | |
| | PCS | | PCS | | PCS | | PCS | | PCS | | PCS |
| | | | | | | | | | | | |
| | PCS | | PCS | | PCS | | PCS | | PCS | | PCS |
| | | | | | | | | | | | |
| | PCS | | PCS | | PCS | | PCS | | PCS | | PCS |
| | | | | | | | | | | | |

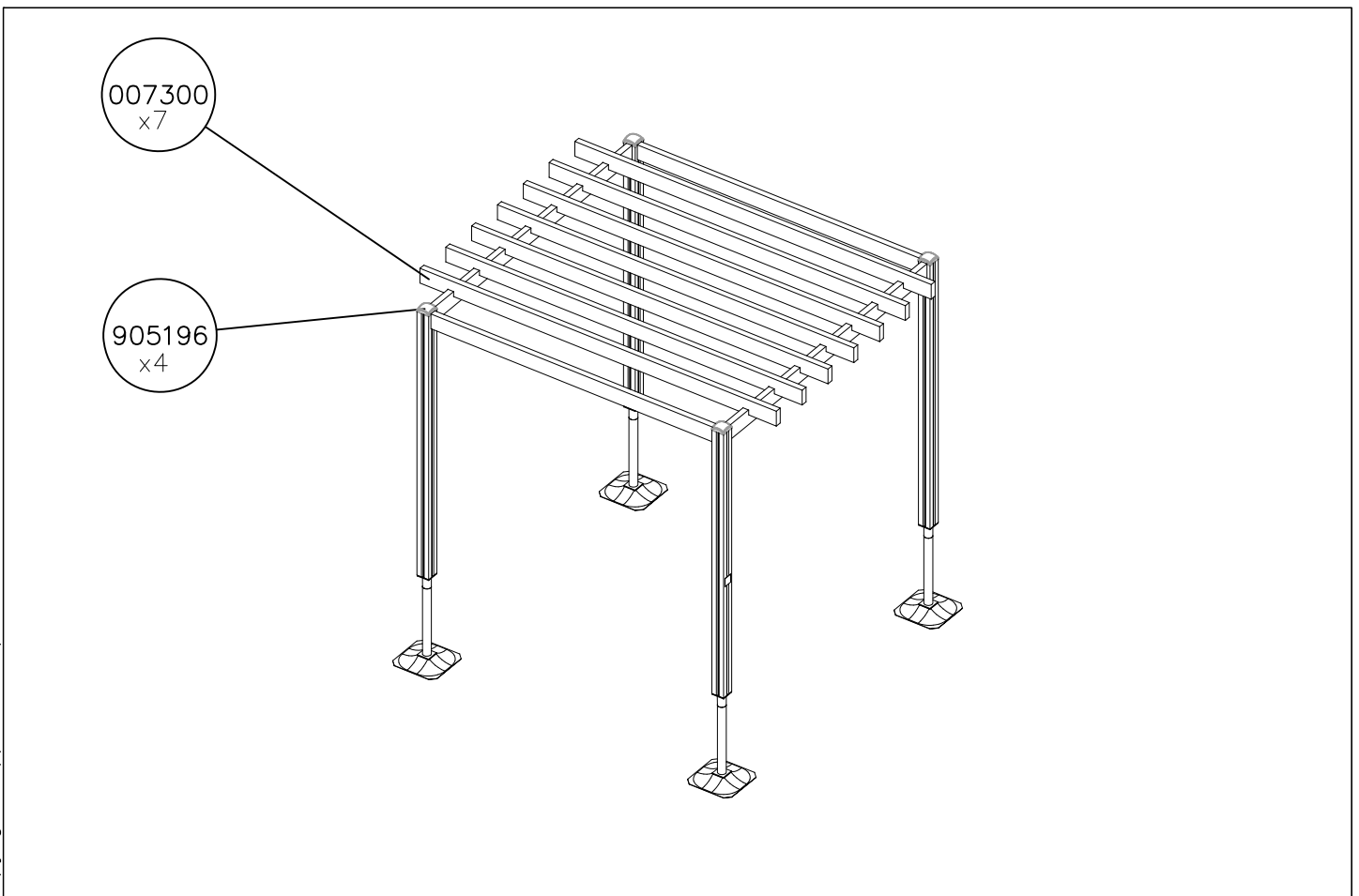
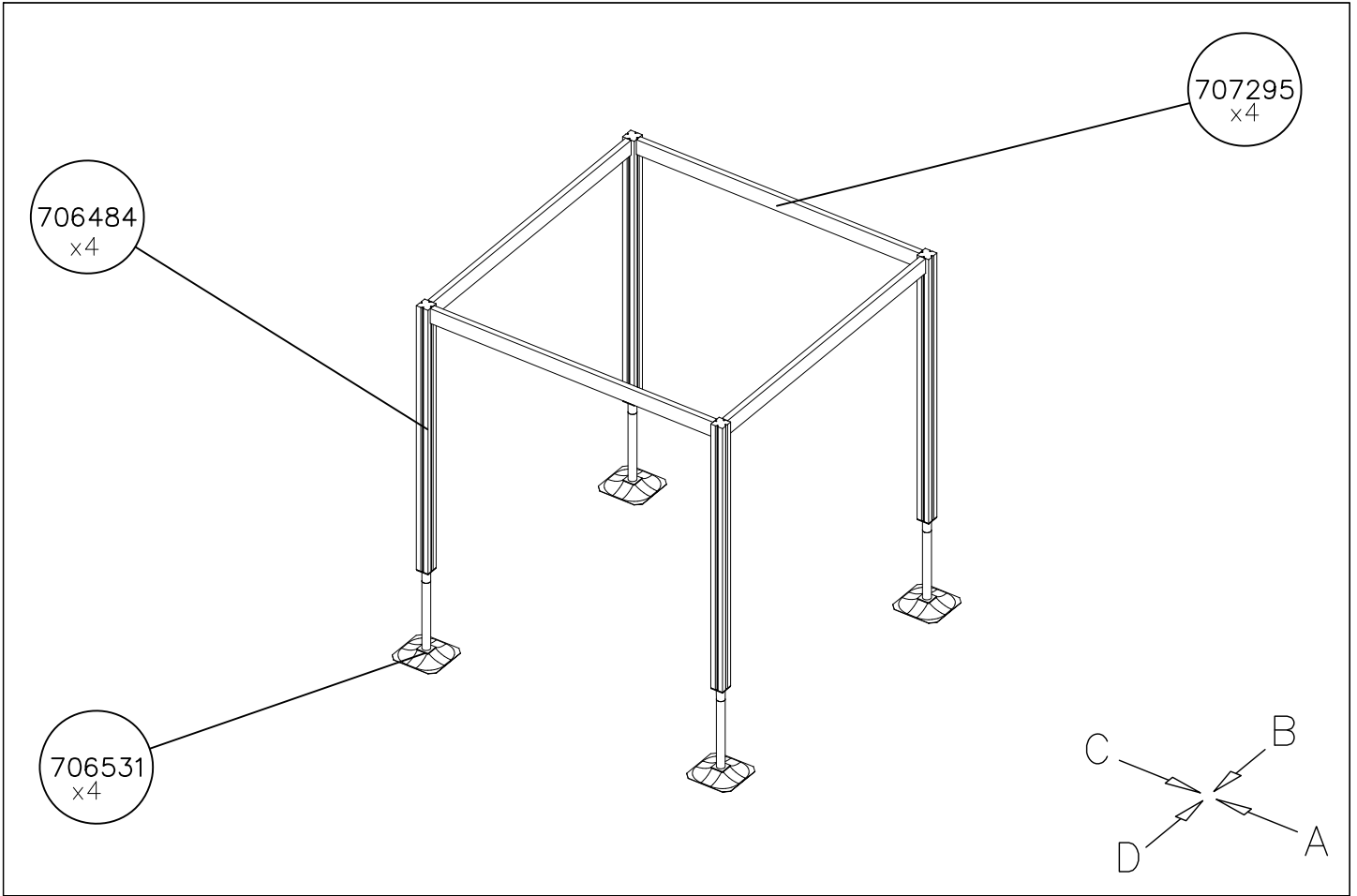




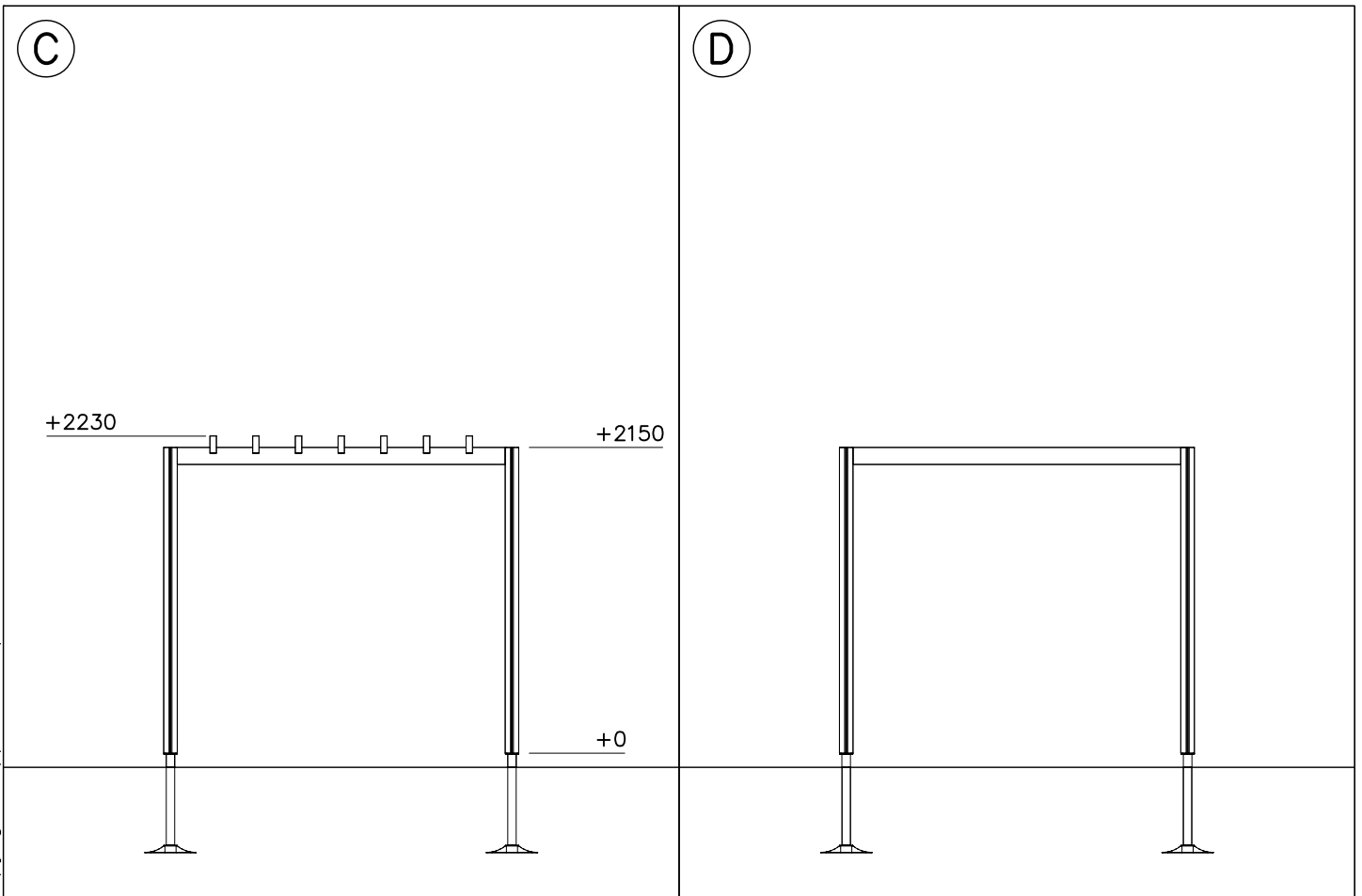
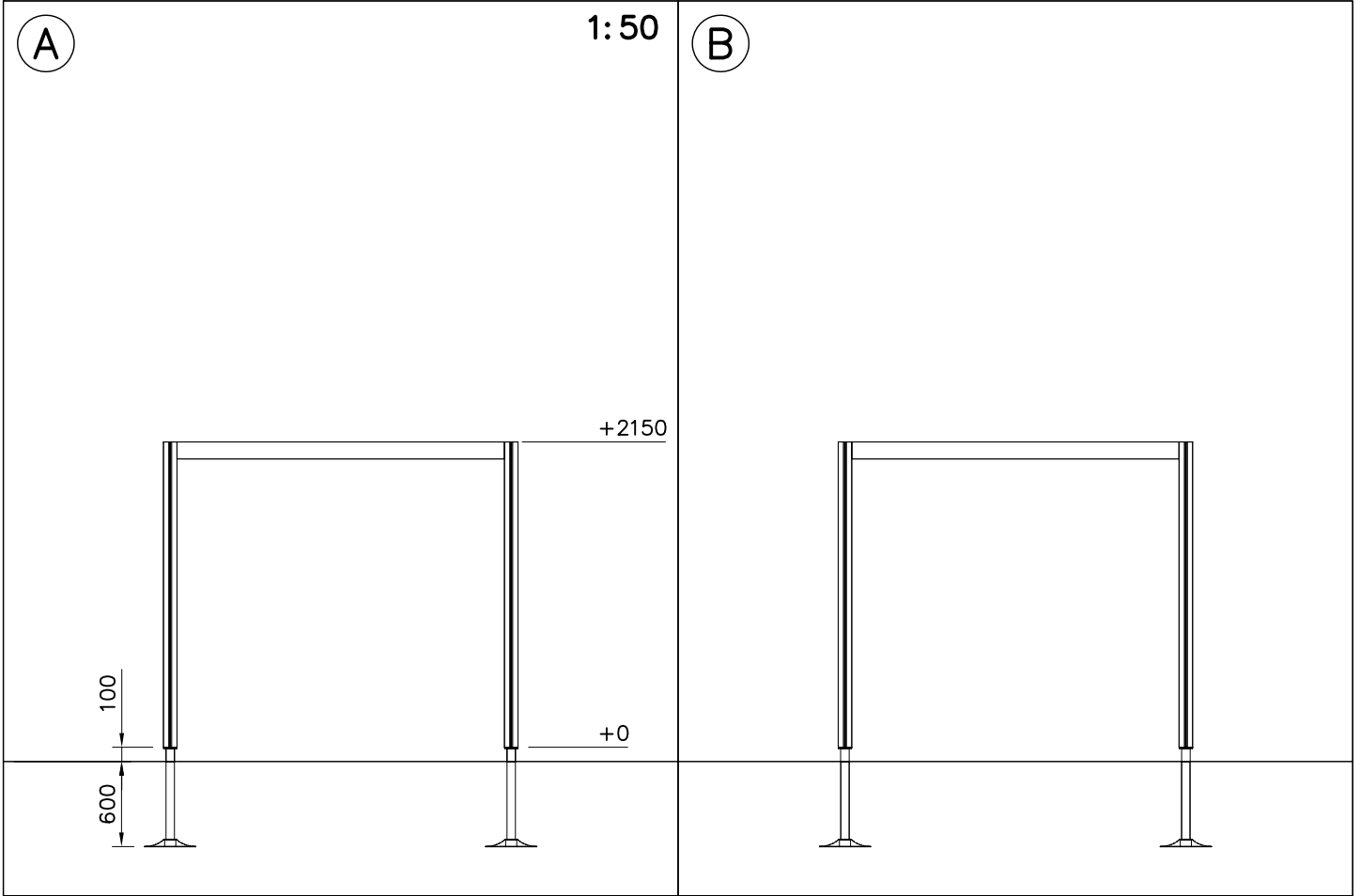


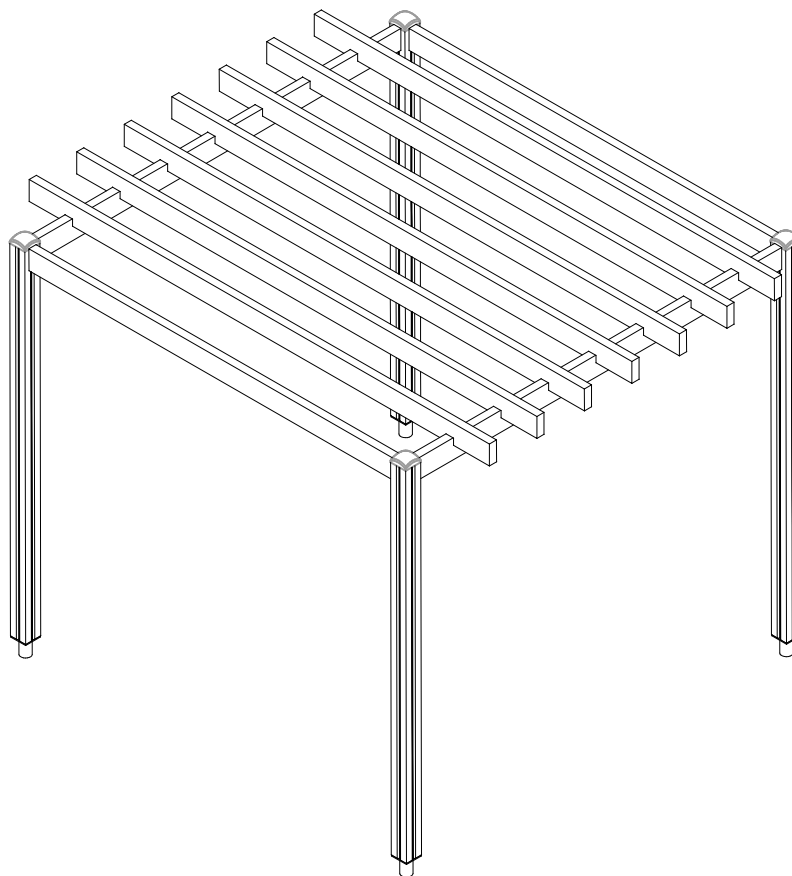
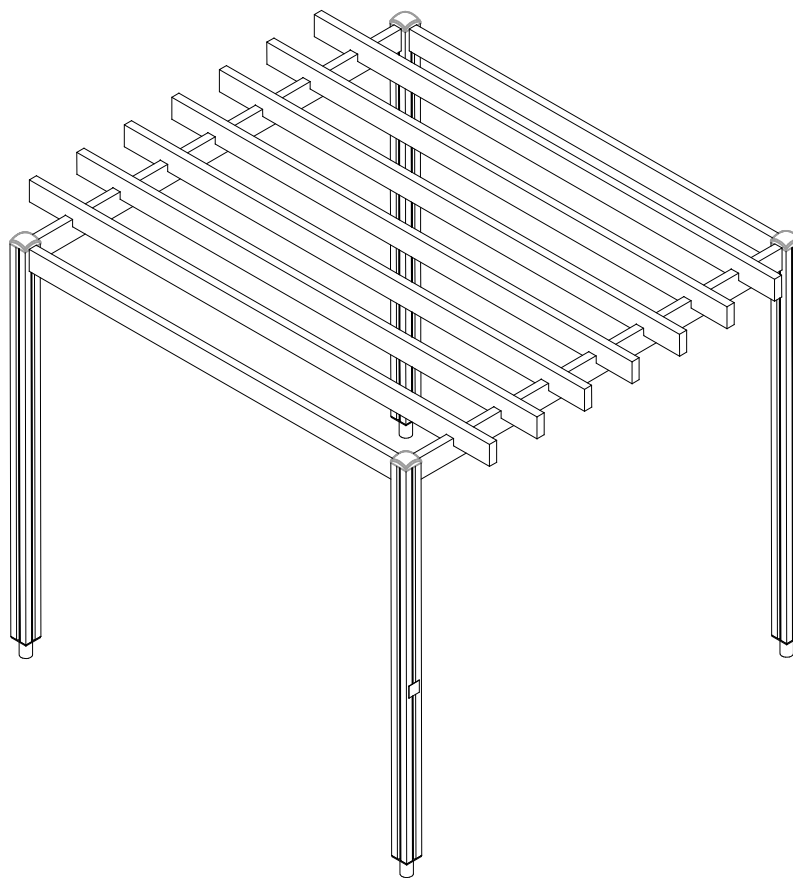


| <p>DET 1</p>  | <p>DET 2</p>  | <p>DET 3</p>  | <p>DET 4</p>  |
|------------------------------------------------------------------------------------------------|------------------------------------------------------------------------------------------------|-------------------------------------------------------------------------------------------------|--------------------------------------------------------------------------------------------------|
| | | | |
| | | | |
| | | | |
| | | | |



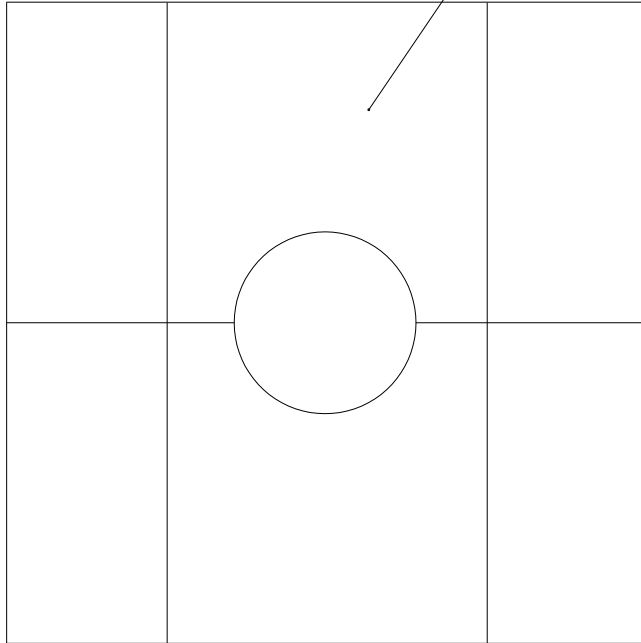
DATE: 29.5.2019



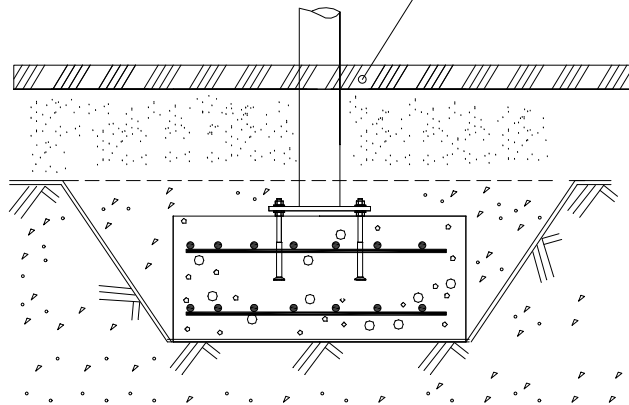


| | | |
|-------------------------------------------------------------------------------------------------|--------------------------------------------------------------------------------------------------------------------------------------------------------------------------------------------------------------------------------------------------------------------------------------------------------------|-----------------------------------------------------------------------------------------------------------------------------------------------------------------------------------------------------------------------------------------------------------------------------------------------------------------------------|
|  | | |
| <p>$h < 600$</p> <p>Without movement and therefore without Impact Area</p> | <p>Totally hard surfaces.</p> <p>Note. Lappset does <u>not recommend</u> totally hard surfaces at all.</p> | <p>E.g. concrete or asphalt</p>  |
| <p>$h < 600$</p> <p>With movement e.g. rocking</p> | <p>Materials with very limited impact attenuating properties.</p> | <p>E.g. wood</p>  |
| <p>$h < 1000$</p> | <p>Materials with significant impact attenuating properties.</p> | <p>fine gravel 0–8 mm</p>  <p>grass</p>  <p>unsorted sand</p>  |
| <p>$h < 3000$</p> | <p>Loose fill material</p> <p>E.g. sand/gravel 0,25...8 mm D60/D10<3,0 Woodchips 5...30 mm bark 20...80 mm</p> |  <p>\underline{S} \underline{h}</p> <p>30 cm < 2,0 m</p> <p>40 cm < 3,0 m</p> |
| | <p>Syntethic granulates</p> <p>\underline{S} \underline{h}</p> <p>40 mm ~> 1,2...1,3 m</p> <p>50 mm ~> 1,5...1,7 m</p> <p>60 mm ~> 1,8...2,0 m</p> <p>70 mm ~> 2,1...2,5 m</p> <p>Note. For accurate values, see manufacturer's instructions.</p> |  |

REMOVE SAFETY SURFACE/SAND/GRAVEL
TO CHECK FOUNDATION



REMOVE SAFETY SURFACE/SAND/GRAVEL
TO CHECK FOUNDATION





Tuotekyltti tulee tuotteen mukana yhdellä seuraavista tavoista:

1) Metallinen tuotekyltti ja kiinnitysruuvit

- Kiinnitä tuotekyltti ruuveilla tolppaan noin 2 metrin korkeuteen kuvan 1 mukaisesti.

2) Tuotekylttitarra

- Puhdista maalattu metalli- tai vaneripinta pölystä ja kosteudesta. Liimaa tarra kuvan 2 mukaisesti.
- Huom. Älä kiinnitä tarraa karheapintaiseen laminaattiin tai maalattuun puuhun.

Vår produktmärkning levereras på ett av följande sätt:

1) Produktskylt i metall

- Fäst skylten med de medföljande skruvarna

2) Självhäftande produktetikett

- Rengör den pulverlackerade metallytan eller laminatyten så att den blir fri från smuts och fukt. Fäst etiketten enligt fig. 2.
- Obs! Fäst ej etiketten på detaljer med skrovlig yta eller på målat trä.

Product label is delivered by one of following ways:

1) Metal product label and screws

- Fasten the label with screws.

2) Label sticker

- Clean the painted metal or plywood surface from dirt and moisture. Fasten the sticker as shown in the figure 2.
- Note. Do not attach the sticker to rough surfaced laminate or painted wood.

La plaque d'informations produit est livrée sous l'une de ces 3 formes :

1) Plaque métallique et vis

- Fixez la plaque à l'aide des vis.

2) Etiquette autocollante

- Avant de coller l'étiquette, nettoyez le composant métallique peint ou la plaque de contreplaqué, de toute saleté. La surface doit être sèche (voir image 2).
- Attention, ne pas coller l'étiquette sur une surface lamellé-collée irrégulière ou sur du bois peint.

Die Auslieferung des Produktaufklebers erfolgt auf eine dieser Arten:

1) Produkt-Schild aus Metall incl. Schrauben

- Die Befestigung des Schildes erfolgt mittels der Schrauben.

2) Aufkleber

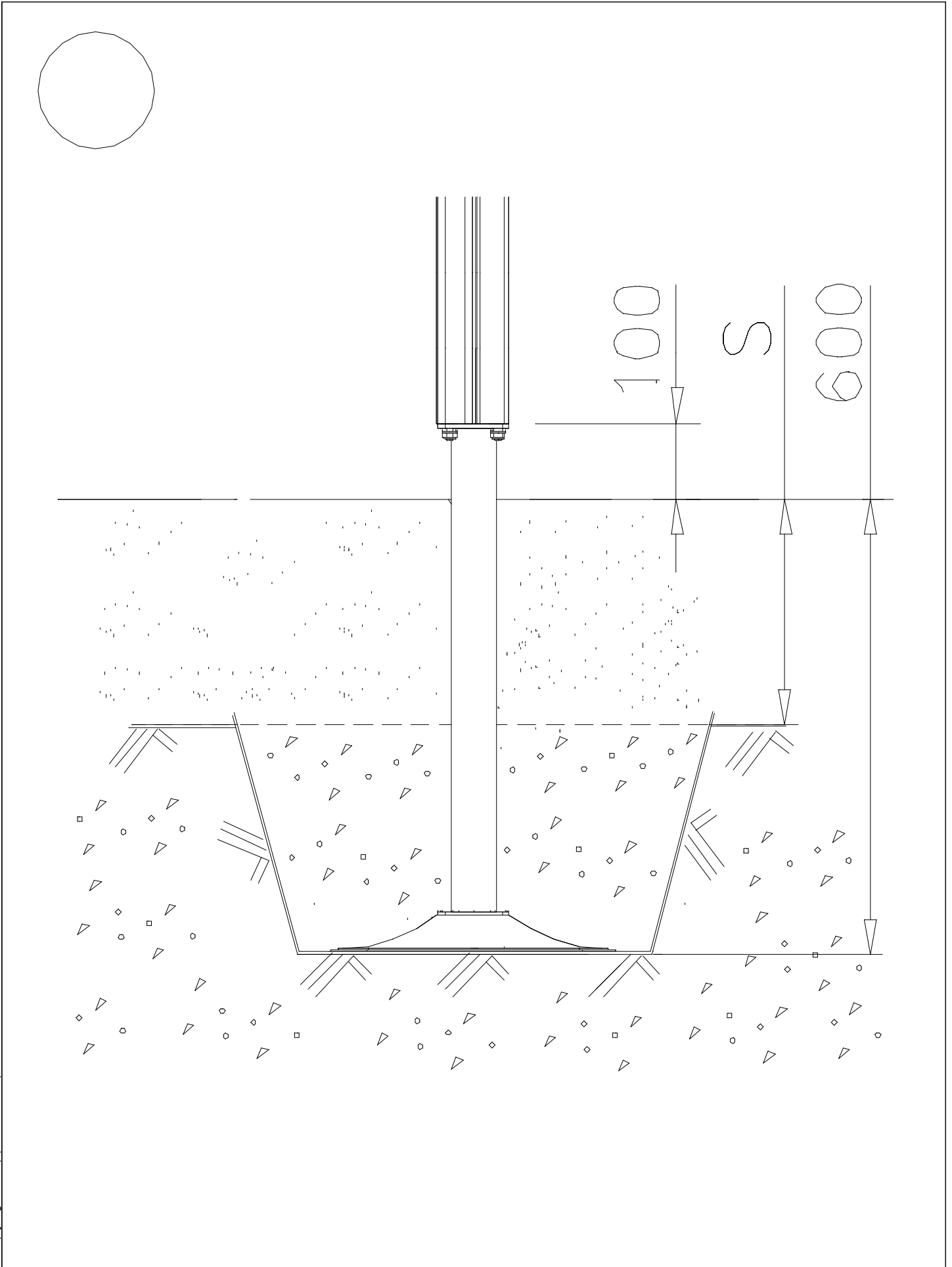
- Entfernen Sie zunächst Schmutz und Feuchtigkeit vom lackierten Metall bzw. von der Holzoberfläche und bringen Sie den Aufkleber wie im Bild oben rechts beschrieben auf den gesäuberten Untergrund auf.
- Beachten Sie: Bringen Sie den Aufkleber nicht auf raues laminiertes oder lackiertes Holz an.

LAPPSET®
DEEP FOUNDATION

FOOT

DATE: 13.3.2014

4A

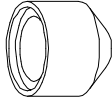


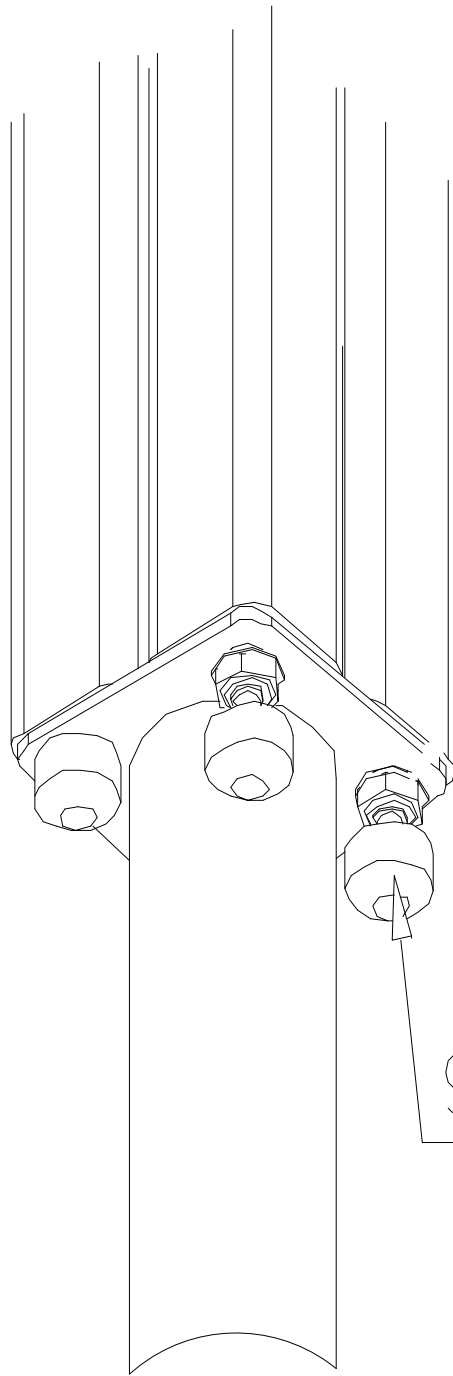
LAPPSET®
BETON FOUNDATION

FOOT

DATE: 27.10.2015

1(1)

| | | | |
|--------------------------------------------------------------------------------------------|-----|--|-----|
| ② 905104 | PCS | | PCS |
| | 4 | | |
|  M10 | PCS | | PCS |
| | | | |



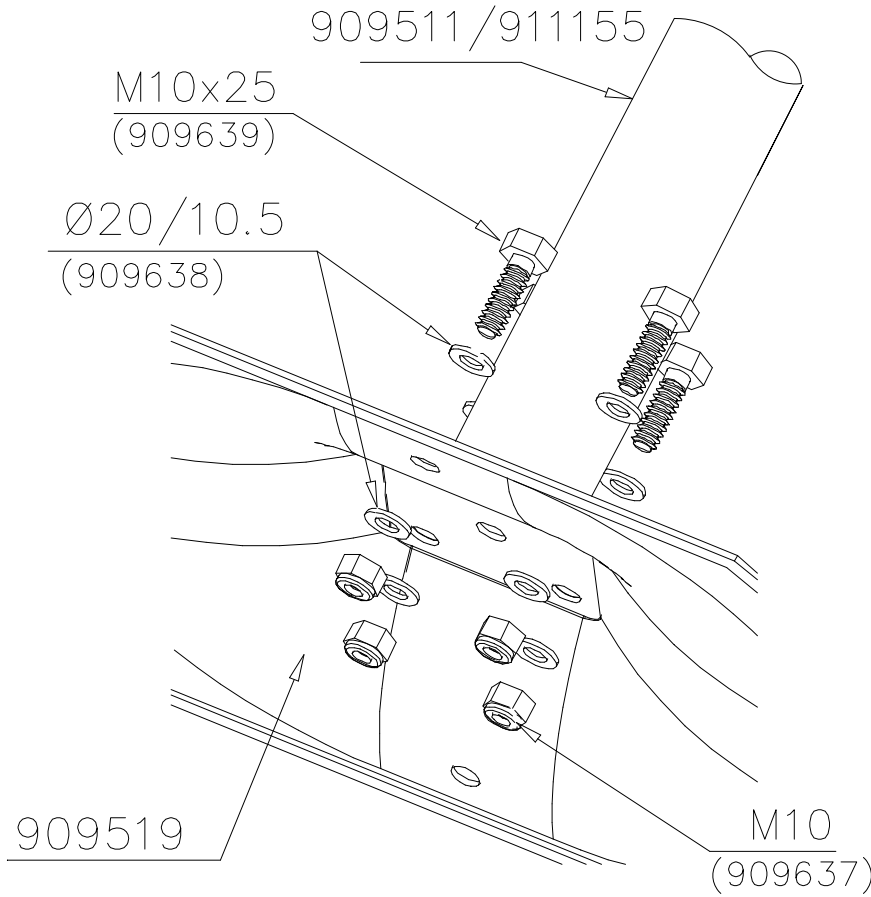
905104

LAPPSET® DEEP FOUNDATION

FOOT

DATE: 15.5.2018

1(1)



| | | | | | |
|---|-----------|-----|---|------------|-----|
| ① | 909511 | PCS | ② | 909519 | PCS |
| | | 1 | | | 1 |
| | 90x90x650 | | | 50x380x380 | |

| | | | | | |
|---|--------|-----|---|----------|-----|
| ③ | 909637 | PCS | ④ | 909638 | PCS |
| | | 4 | | | 8 |
| | M10 | | | Ø20/10.5 | |

| | | | | | |
|---|--------|-----|---|--------|-----|
| ⑤ | 909639 | PCS | ⑥ | 905104 | PCS |
| | | 4 | | | 4 |
| | M10x25 | | | M10 | |

OPTION FOOT

| | | | | | |
|---|-----------|-----|--|--|-----|
| ① | 911155 | PCS | | | PCS |
| | | 1 | | | |
| | 90x90x650 | | | | |