

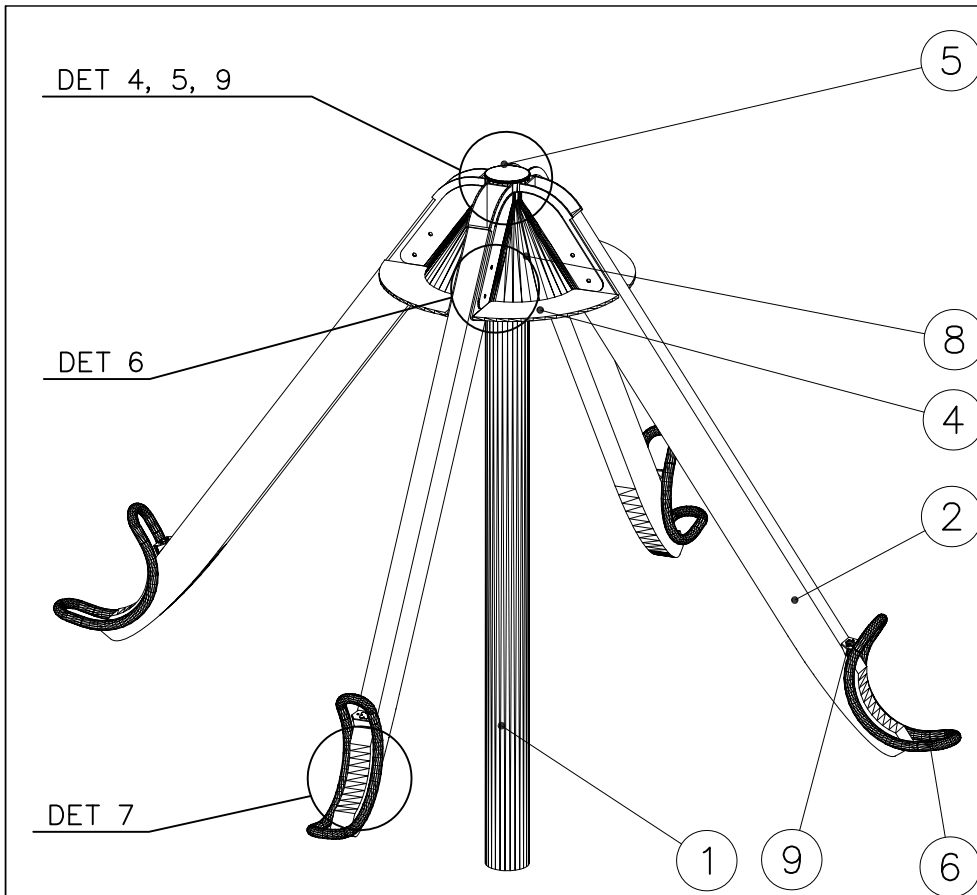
												
<p><b><math>h &lt; 600</math></b></p> <p>Without movement and therefore without Impact Area</p>	<p>Totally hard surfaces.</p> <p>Note. Lappset does <u>not recommend</u> totally hard surfaces at all.</p>	<p>E.g. concrete or asphalt</p> 										
<p><b><math>h &lt; 600</math></b></p> <p>With movement e.g. rocking</p>	<p>Materials with very limited impact attenuating properties.</p>	<p>E.g. wood</p> 										
<p><b><math>h &lt; 1000</math></b></p>	<p>Materials with significant impact attenuating properties.</p>	<p>fine gravel 0–8 mm</p>  <p>grass</p>  <p>unsorted sand</p> 										
<p><b><math>h &lt; 3000</math></b></p>	<p>Loose fill material</p> <p>E.g. sand/gravel 0,25...8 mm D60/D10&lt;3,0 Woodchips 5...30 mm bark 20...80 mm</p>	 <table data-bbox="1021 1691 1332 1792"> <tr> <td><math>\underline{S}</math></td> <td><math>\underline{h}</math></td> </tr> <tr> <td>30 cm</td> <td>&lt; 2,0 m</td> </tr> <tr> <td>40 cm</td> <td>&lt; 3,0 m</td> </tr> </table>	$\underline{S}$	$\underline{h}$	30 cm	< 2,0 m	40 cm	< 3,0 m				
$\underline{S}$	$\underline{h}$											
30 cm	< 2,0 m											
40 cm	< 3,0 m											
	<p>Syntethic granulates</p> <table data-bbox="406 1892 758 2060"> <tr> <td><math>\underline{S}</math></td> <td><math>\underline{h}</math></td> </tr> <tr> <td>40 mm</td> <td>~&gt; 1,2...1,3 m</td> </tr> <tr> <td>50 mm</td> <td>~&gt; 1,5...1,7 m</td> </tr> <tr> <td>60 mm</td> <td>~&gt; 1,8...2,0 m</td> </tr> <tr> <td>70 mm</td> <td>~&gt; 2,1...2,5 m</td> </tr> </table> <p>Note. For accurate values, see manufacturer's instructions.</p>	$\underline{S}$	$\underline{h}$	40 mm	~> 1,2...1,3 m	50 mm	~> 1,5...1,7 m	60 mm	~> 1,8...2,0 m	70 mm	~> 2,1...2,5 m	
$\underline{S}$	$\underline{h}$											
40 mm	~> 1,2...1,3 m											
50 mm	~> 1,5...1,7 m											
60 mm	~> 1,8...2,0 m											
70 mm	~> 2,1...2,5 m											

REMOVE SAFETY SURFACE/SAND/GRAVEL  
TO CHECK FOUNDATION

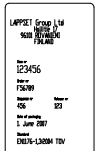


REMOVE SAFETY SURFACE/SAND/GRAVEL  
TO CHECK FOUNDATION

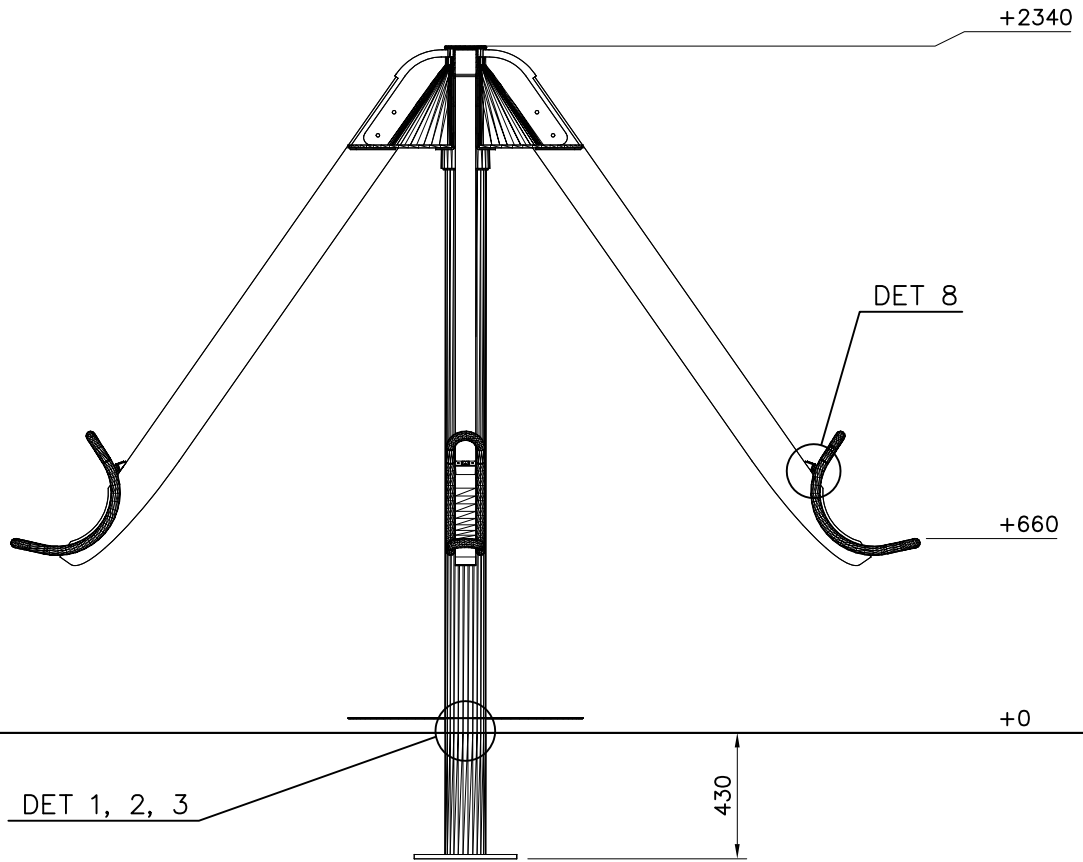




① 907793 -216	PCS 1	② 009902	PCS 4
③ 009917	PCS 1	④ P12919	PCS 4
⑤ 708428	PCS 1	⑥ 909895	PCS 4
⑦ 909215	PCS 4	⑧ 900684	PCS 4
 M16x280			
⑨ 900685	PCS 4	⑩ 909855	PCS 16
		 M8x35	
		 Ø30/17	
⑫ 909256	PCS 66	⑬ 980150	PCS 24
 Ø16/8.4		 M8	
		 M8x120	
⑮ 980103	PCS 8	⑰ 909210	PCS 2
 Ø4x50		 M8x40	
		 M8x55	
⑱ 905097	PCS 8	⑳ 905083	PCS 34
 M16		 Ø32	
		㉑ 905112	PCS 34
		 Ø22	
		㉒ 702341	PCS 1
		 90x50	

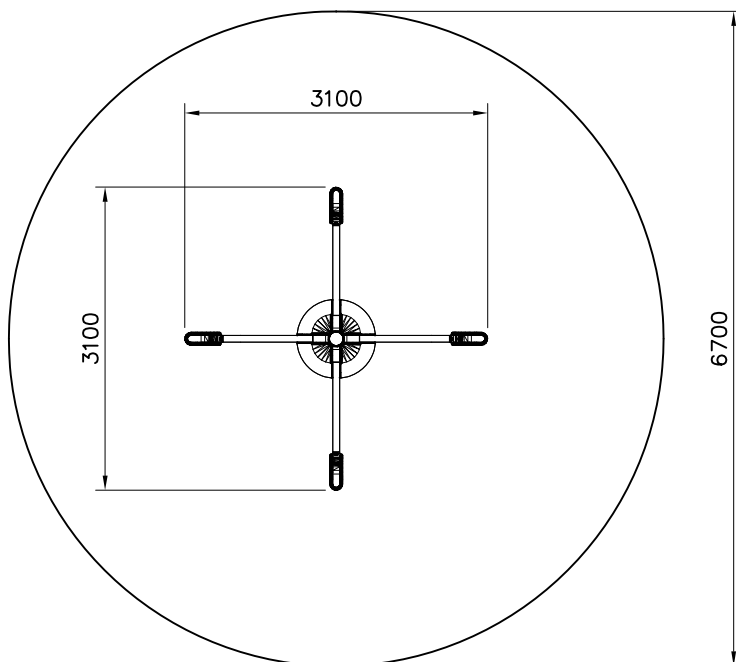


1: 25

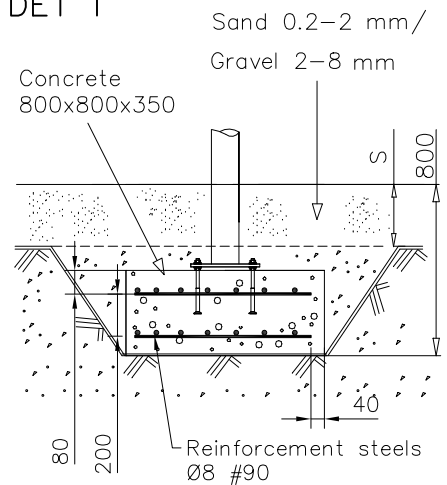


1: 75

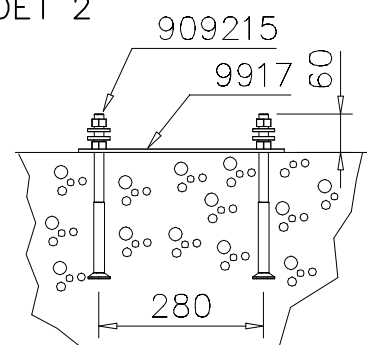
En Impact Area 35.3 m2.  
Max falling height 1000 mm.



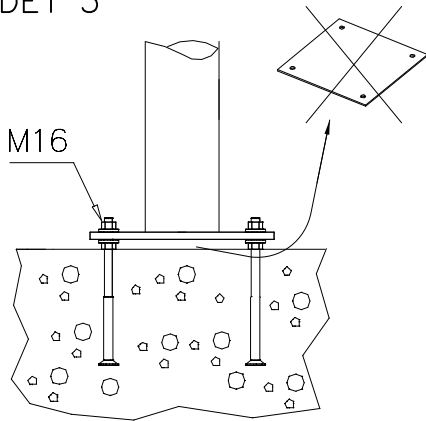
DET 1



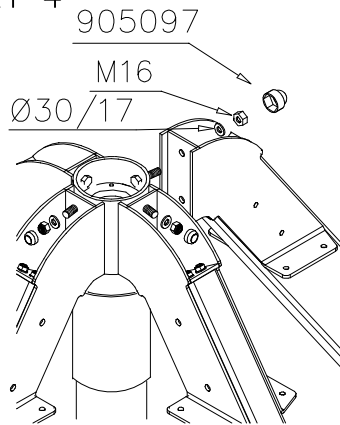
DET 2



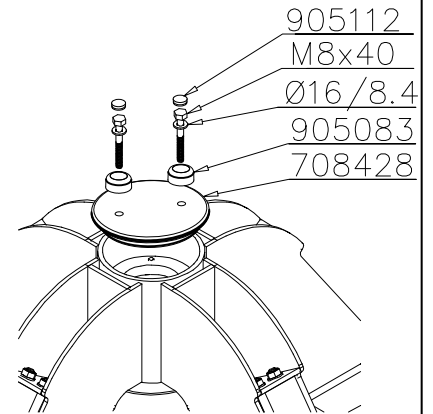
DET 3



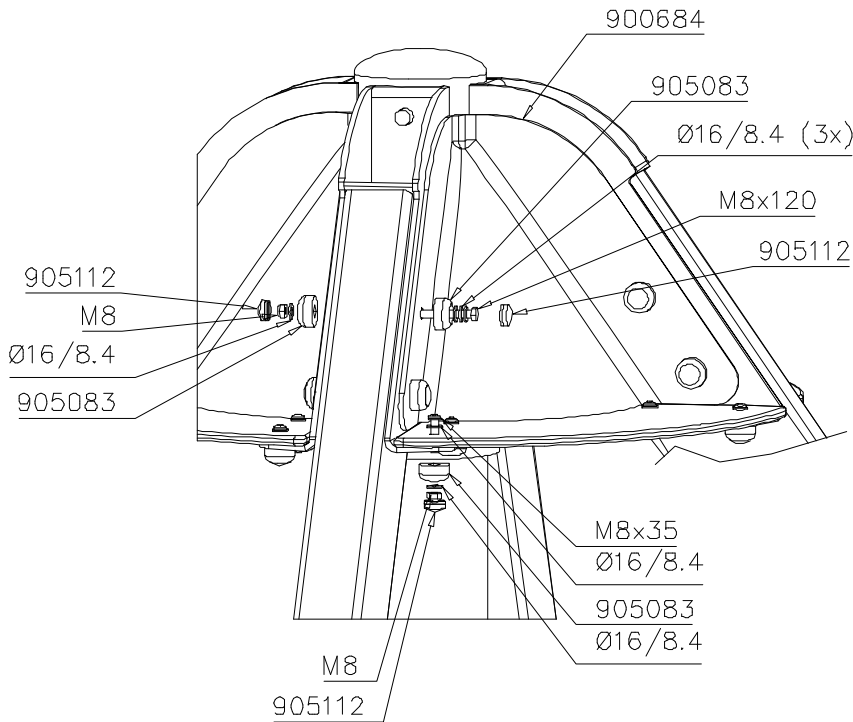
DET 4



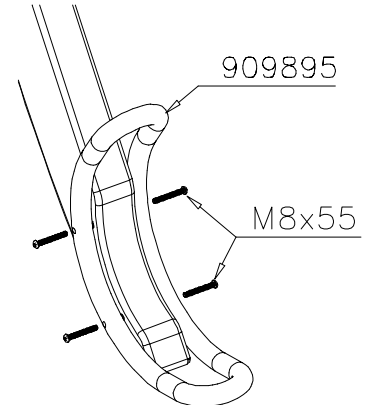
DET 5



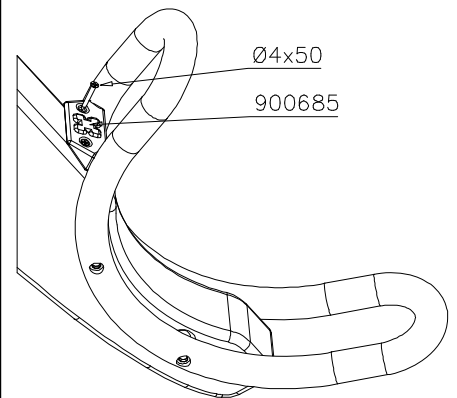
DET 6



DET 7



DET 8



DET 9

WHEN NEEDED MORE  
BRAKING EFFECT  
REMOVE PLATES.

