


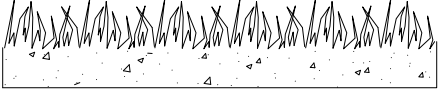
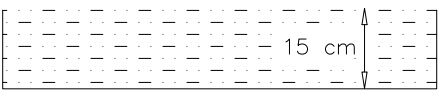
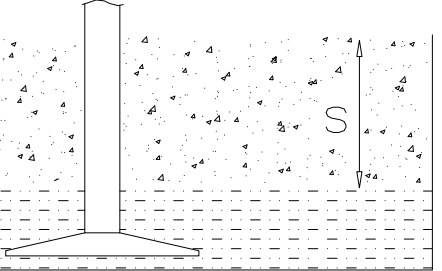
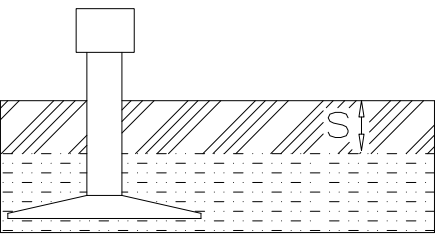
		
<p><b><math>h &lt; 600</math></b></p> <p>Without movement and therefore without Impact Area</p>	<p>Totally hard surfaces.</p> <p>Note. Lappset does <u>not recommend</u> totally hard surfaces at all.</p>	<p>E.g. concrete or asphalt</p> 
<p><b><math>h &lt; 600</math></b></p> <p>With movement e.g. rocking</p>	<p>Materials with very limited impact attenuating properties.</p>	<p>E.g. wood</p> 
<p><b><math>h &lt; 1000</math></b></p>	<p>Materials with significant impact attenuating properties.</p>	<p>fine gravel 0–8 mm</p>  <p>grass</p>  <p>unsorted sand</p> 
<p><b><math>h &lt; 3000</math></b></p>	<p>Loose fill material</p> <p>E.g. sand/gravel 0,25...8 mm D60/D10&lt;3,0 Woodchips 5...30 mm bark 20...80 mm</p>	 <p><math>\underline{S}</math>                      <math>\underline{h}</math></p> <p>30 cm                      &lt; 2,0 m</p> <p>40 cm                      &lt; 3,0 m</p>
	<p>Syntethic granulates</p> <p><math>\underline{S}</math>                      <math>\underline{h}</math></p> <p>40 mm ~&gt; 1,2...1,3 m</p> <p>50 mm ~&gt; 1,5...1,7 m</p> <p>60 mm ~&gt; 1,8...2,0 m</p> <p>70 mm ~&gt; 2,1...2,5 m</p> <p>Note. For accurate values, see manufacturer's instructions.</p>	

REMOVE SAFETY SURFACE/SAND/GRAVEL  
TO CHECK FOUNDATION



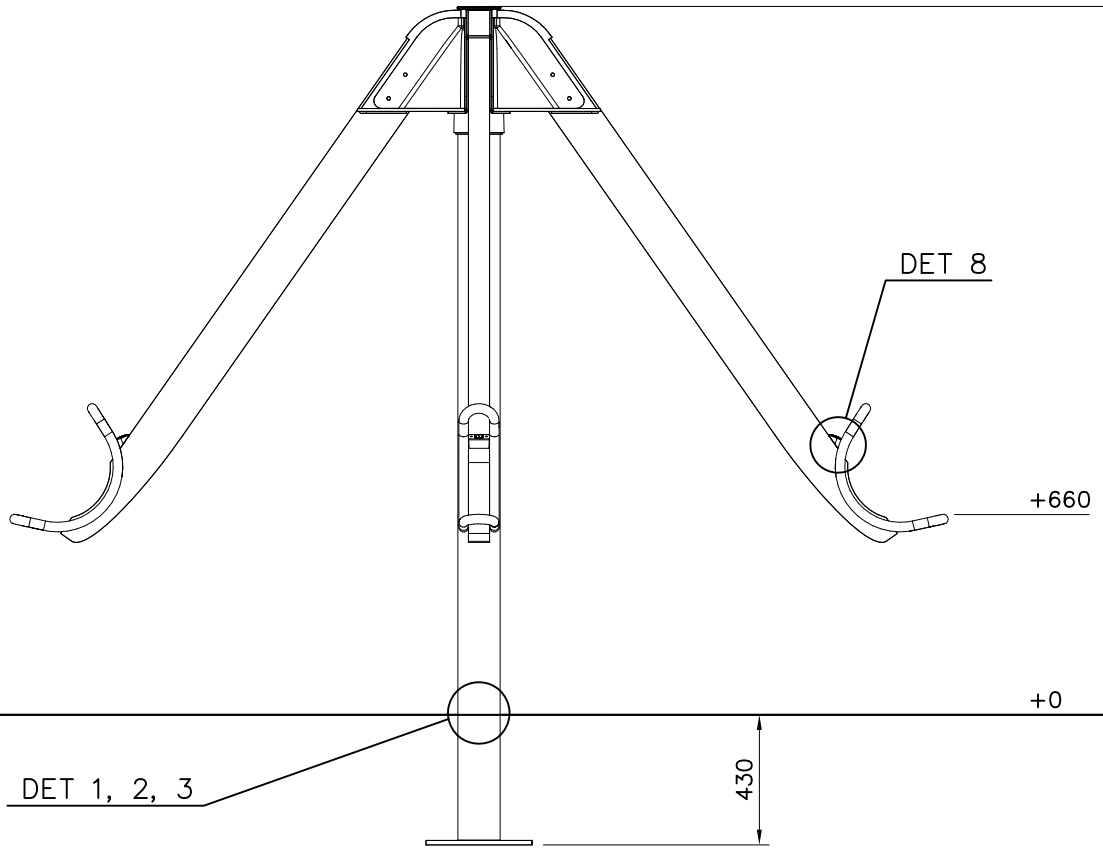
REMOVE SAFETY SURFACE/SAND/GRAVEL  
TO CHECK FOUNDATION



	DET 4, 5, 9		5		① 907793 -216 PCS 1	② 009902 PCS 4				
	DET 6		8		③ 009917 PCS 1	④ P12716 PCS 4				
	DET 7		4		⑤ 708428 PCS 1	⑥ 909895 PCS 4				
			2		⑦ 909215 PCS 4 M16x280	⑧ 900684 PCS 4				
			1							
		9		⑨ 900685 PCS 4	⑩ 909855 PCS 16 M8x35		⑪ 909520 PCS 8 Ø30/17			
		8		⑫ 909256 PCS 66 Ø16/8.4	⑬ 980150 PCS 24 M8		⑭ 906503 PCS 8 M8x120			
		8		⑮ 980103 PCS 8 Ø4x50	⑯ 903158 PCS 8 M16		⑰ 909210 PCS 2 M8x40		⑱ 909851 PCS 16 M8x55	
		8		⑲ 905097 PCS 8 M16	⑳ 905083 PCS 34 Ø32		㉑ 905112 PCS 34 Ø22		㉒ 702341 PCS 1 90x50	

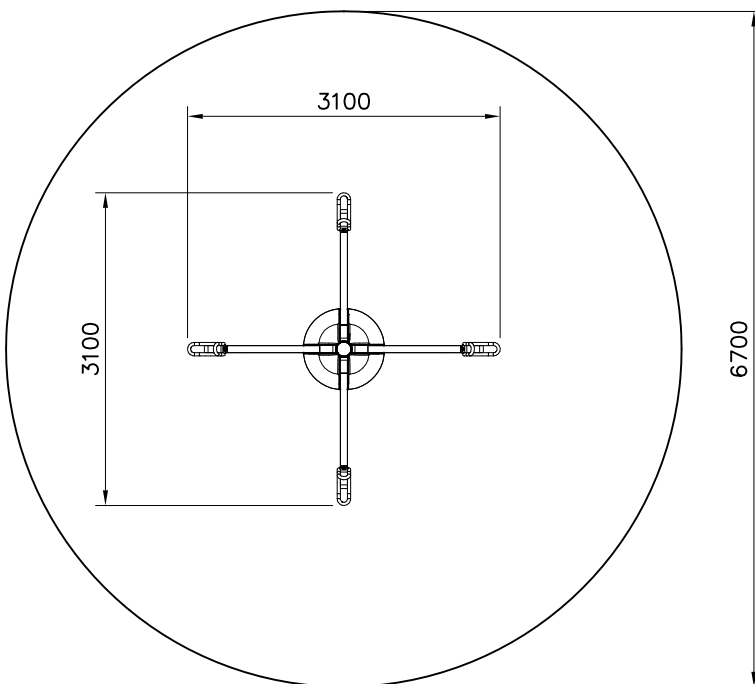
1: 25

+2340

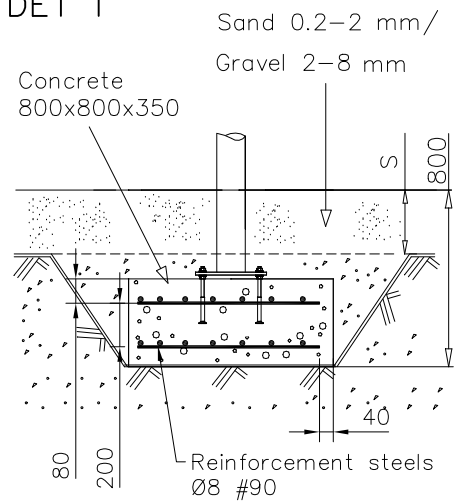


1: 75

En Impact Area 35.3 m<sup>2</sup>.  
Max falling height 1000 mm.



DET 1



DET 2

