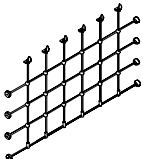
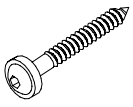
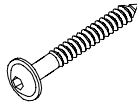
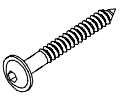
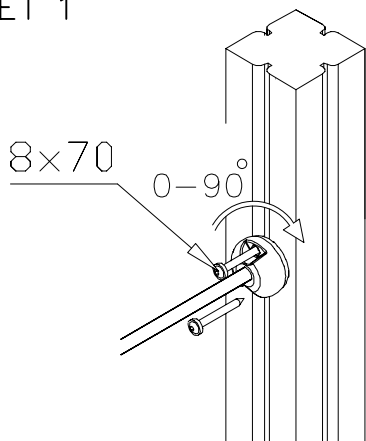


|   |     |   |     |
|---|-----|---|-----|
| ① 701715  | PCS | ② 900240  | PCS |
|  | 1   |  | 16  |
| 1300x2300   |     | 8x70  |     |
| ③ 980123  | PCS | ④ 980128  | PCS |
|  | 12  |  | 6   |
| Ø6x60   |     | Ø6x45   |     |
|   | PCS |   | PCS |
|   |     |   |     |
|   | PCS |   | PCS |
|   |     |   |     |
|   | PCS |   | PCS |
|   |     |   |     |
|   | PCS |   | PCS |
|   |     |   |     |

DET 1



DET 2

