
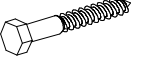

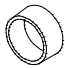
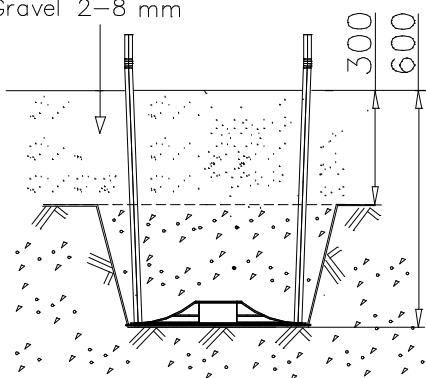


① 006229	PCS	② 909235	PCS
	1		2
		8x60	
③ 980151	PCS	④ 905112	PCS
	2		2
Ø16/8.4		Ø22	
	PCS		PCS
	PCS		PCS
	PCS		PCS

### DET 1

Sand 0.2–2 mm/  
Gravel 2–8 mm



### DET 2

