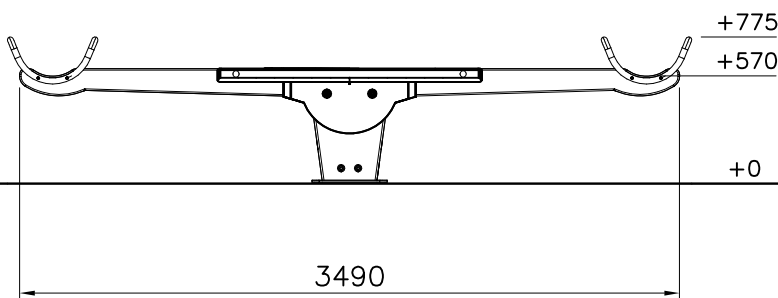
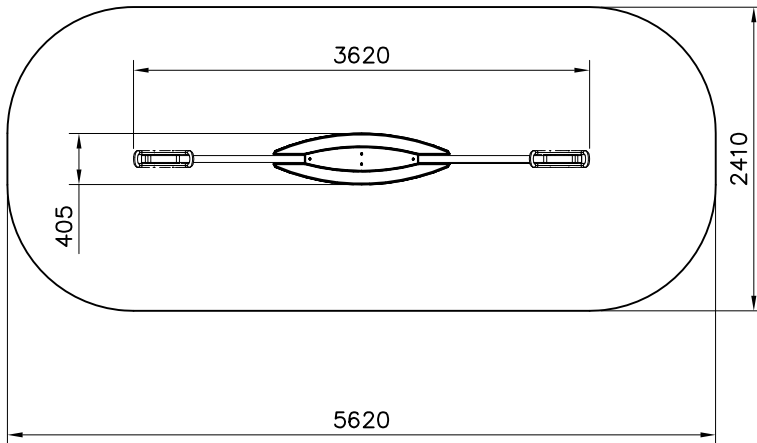


EN Impact Area 12.7 m²
Max falling height 840 mm.



①	905899	PCS	②	905898	PCS
		1			1
③	009940	PCS	④	009942	PCS
		2			1
	L 1415			L 900	
⑤	009943	PCS	⑥	909895	PCS
		2			2
	L 1395				
⑦	905919	PCS	⑧	900208	PCS
		4			2
	Ø30x38			M10x170	
⑨	909214	PCS	⑩	903149	PCS
		4			4
	M12x50			M12x30	
⑪	909301	PCS	⑫	980154	PCS
		8			12
	M8x50			Ø24/13	
⑬	909637	PCS			
		2			
	M10				
⑭	909248	PCS	⑮	909638	PCS
		4			4
	M12			Ø20/10,5	
⑯	980129	PCS			
		6			
	Ø5x35 A2				
⑰	905103	PCS	⑱	702286	PCS
		4			1
	PT-28/32H				
				90x50	

<p>DET 1</p> <p>Concrete 800x800x300</p> <p>S</p> <p>600</p>	<p>DET 2</p> <p>M12x50</p> <p>Ø24/13</p> <p>Ø24/13</p> <p>M12</p>	<p>DET 3</p>
<p>DET 4</p> <p>Ø20/10.5</p> <p>M10</p>	<p>DET 5</p>	<p>DET 6</p>
<p>DET 7</p> <p>Ø24/13</p> <p>M12x30</p> <p>905919</p>	<p>DET 8</p> <p>905103</p> <p>M10</p> <p>Ø20/10.5</p> <p>M10x170</p>	<p>DET 9</p> <p>Ø5x35</p> <p>009942</p>
<p>DET 10</p> <p>909895</p> <p>M8x50</p>		