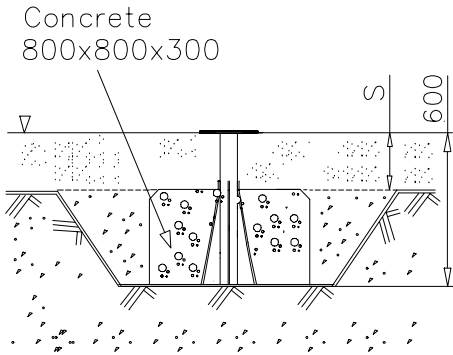


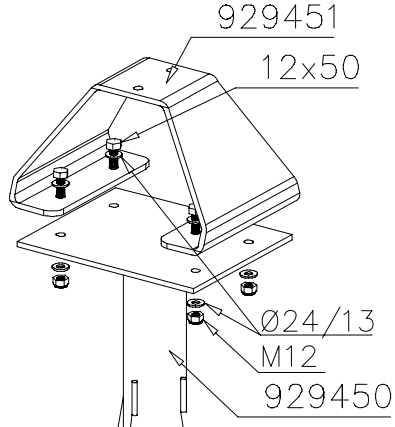
EN Impact Area 8.3 m²
Max falling height 590 mm.

① 009960	PCS	② 929450	PCS
	1		1
③ 929451	PCS	④ 009961	PCS
	1		2
⑤ 909895	PCS	⑥ 909214	PCS
	2		4
		M12x50	
⑦ 909146	PCS	⑧ 906511	PCS
	2		6
M12x35		M12	
⑨ 980154	PCS	⑩ 980123	PCS
	22		6
Ø24/13		6x60	
⑪ 909851	PCS	⑫ 702341	PCS
	8		1
8x55		90x50	
	PCS		PCS
	PCS		PCS

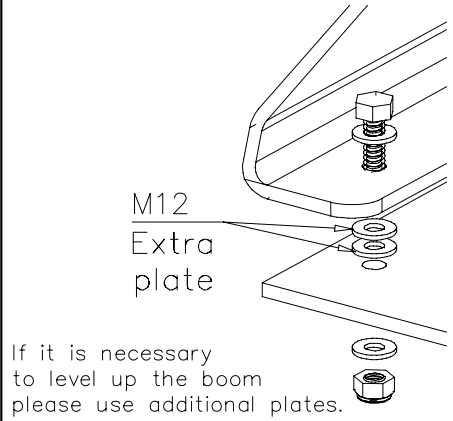
DET 1



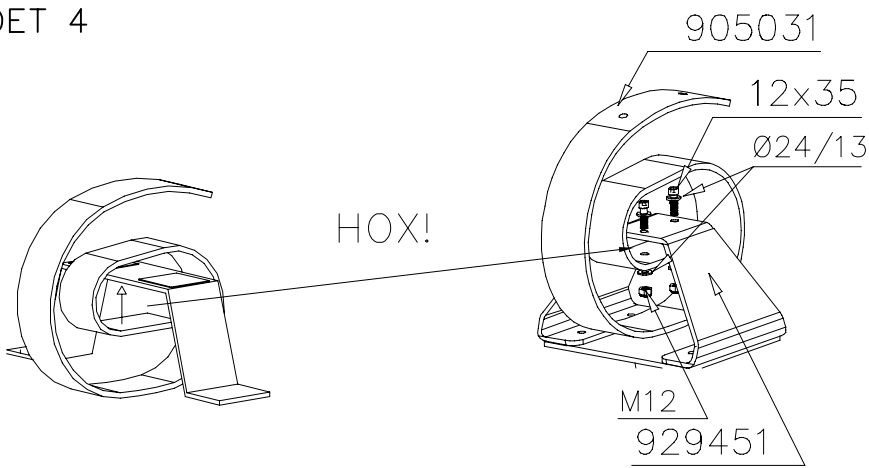
DET 2



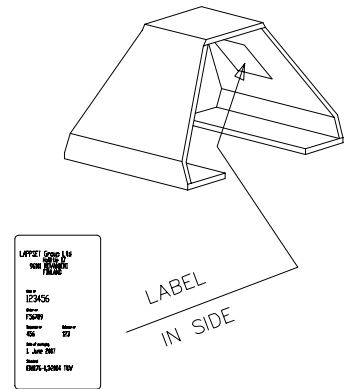
DET 3



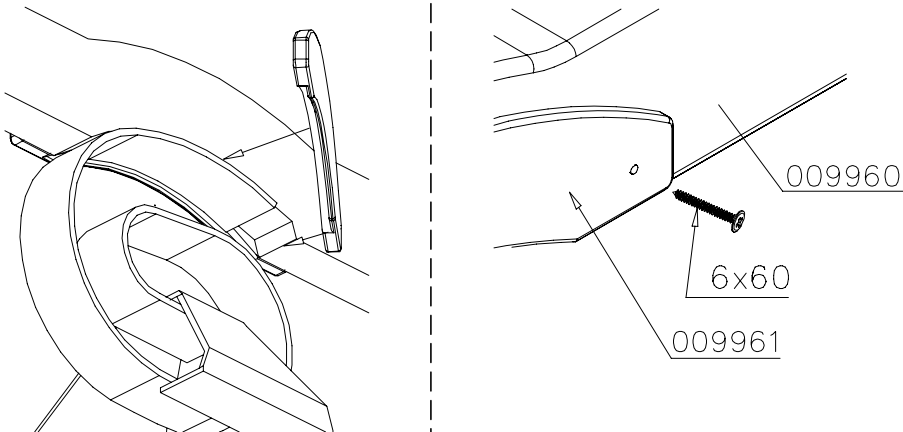
DET 4



DET 5



DET 6



DET 7

