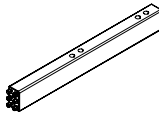
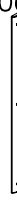
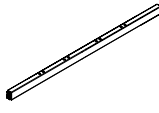

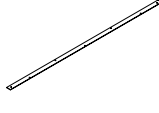
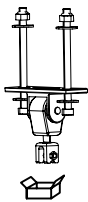
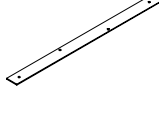
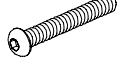
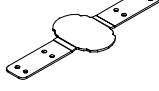
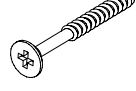
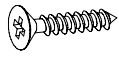

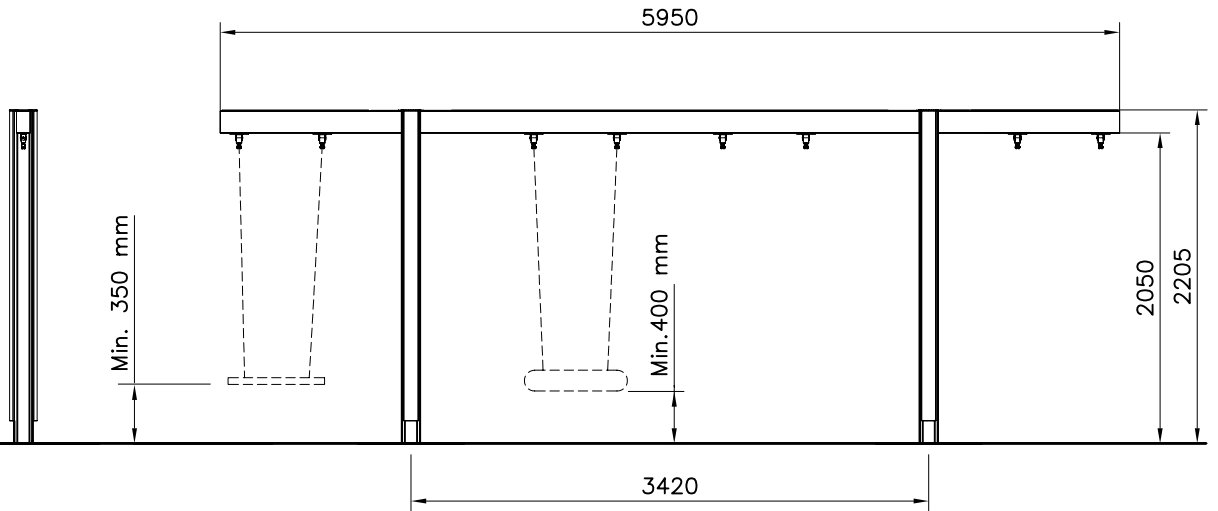


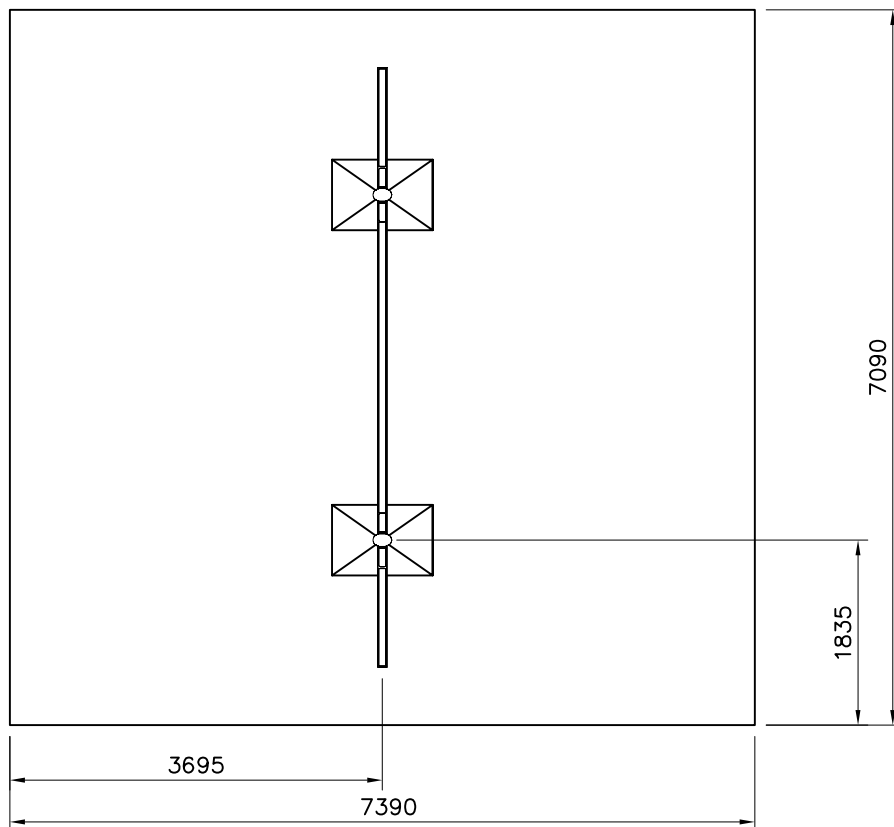
① 702754	PCS	② 006895	PCS
	2		4
90x145x1200			
③ 702756	PCS	④ 902523	PCS
	1		2
90x145x3360		120x120x3000	
⑤ 902525	PCS	⑥ 702738	PCS
	1		8
⑦ 905994	PCS	⑧ 909851	PCS
	2		12
		M8x55	
⑨ 929344	PCS	⑩ 980107	PCS
	2		16
		Ø6x60	
⑪ 980129	PCS	⑫ 980151	PCS
	15		12
Ø5x35		Ø16/8.4	
	PCS		PCS
	PCS		PCS

1:50

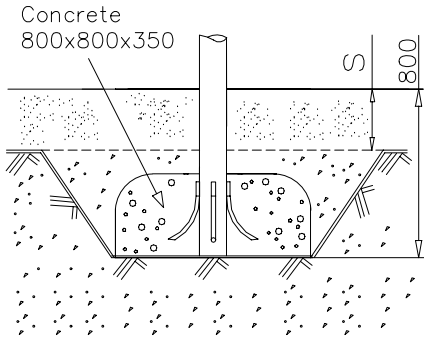


En Impact Area 52.4 m²
MAX FALLING HEIGHT 1200 mm

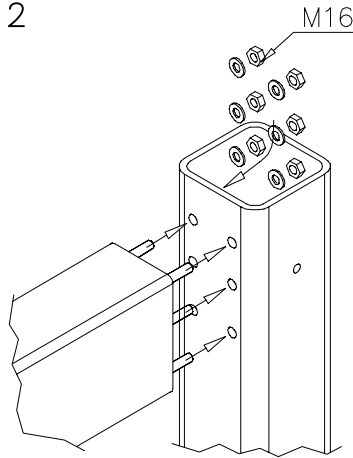
1:75



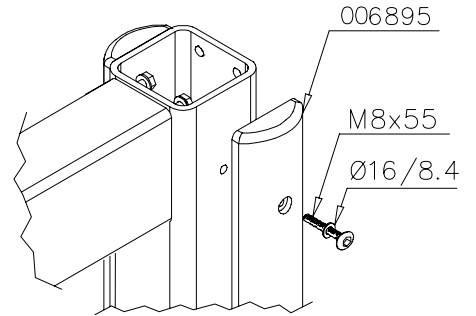
DET 1



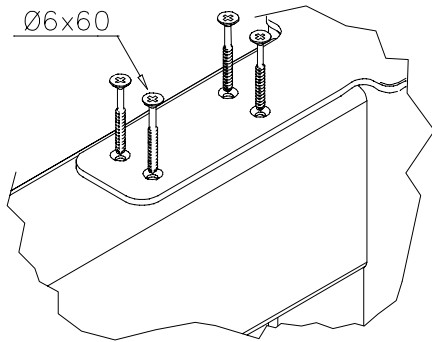
DET 2



DET 3



DET 4



DET 5

