

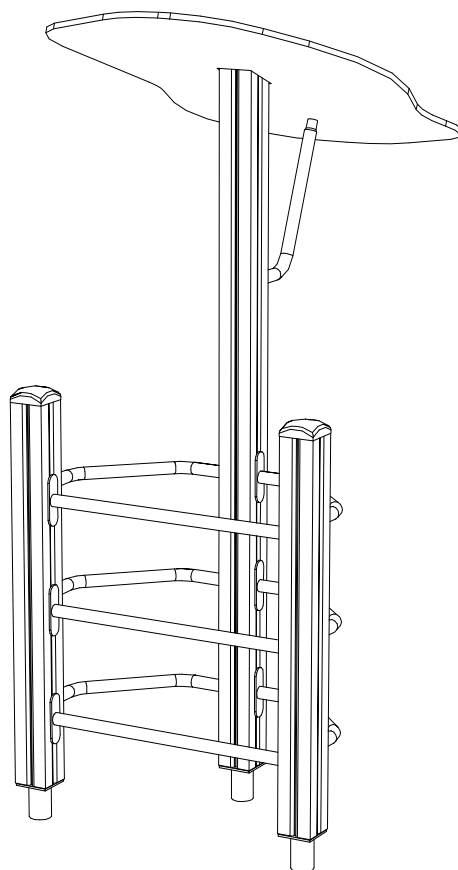
# **LAPPSET®**

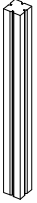

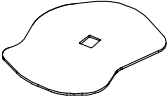
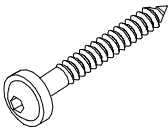
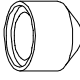
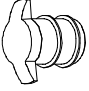
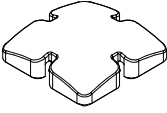
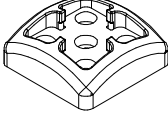
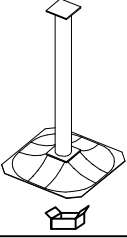
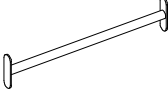
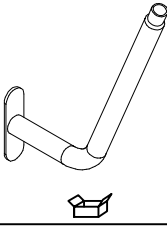
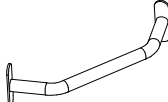

## **FIRST CLASS**

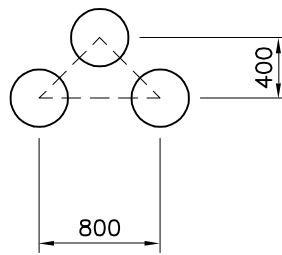
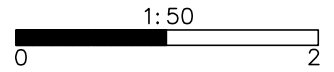
ASENNUSOHJE  
MONTERINGSANSVISNING  
INSTALLATION INSTRUCTION  
AUFBAUANLEITUNG  
NOTICE D'INSTALLATION

REF: 101062  
DATE: 1.4.2005

### **101062**

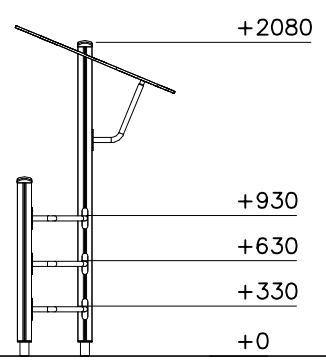
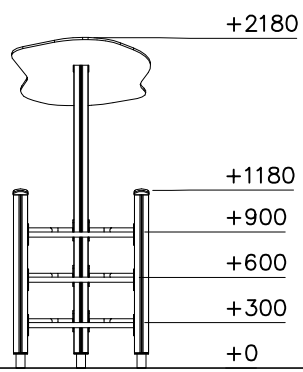
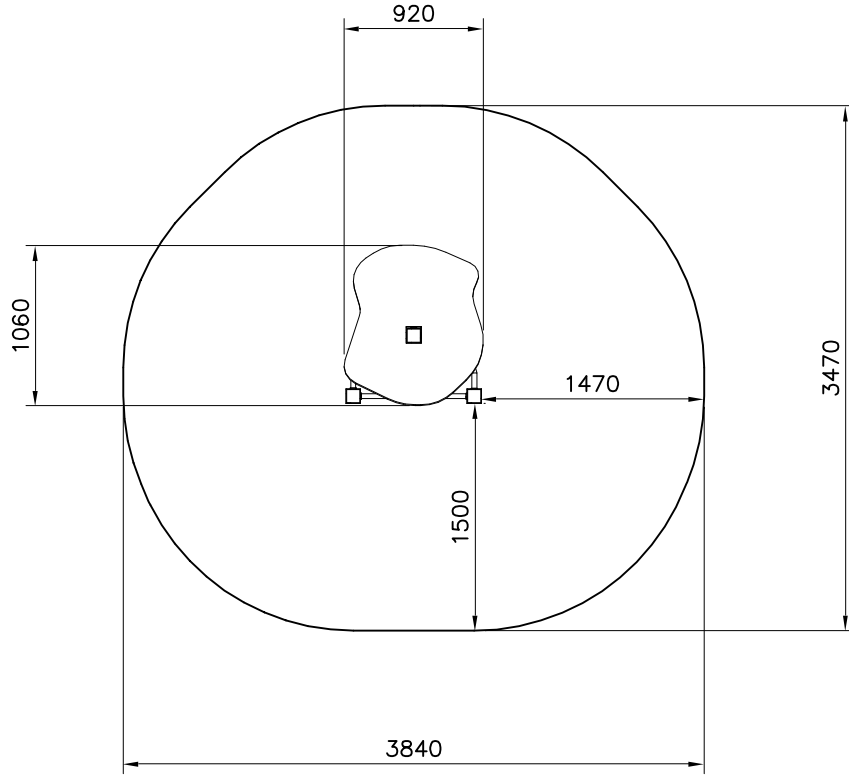
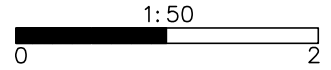


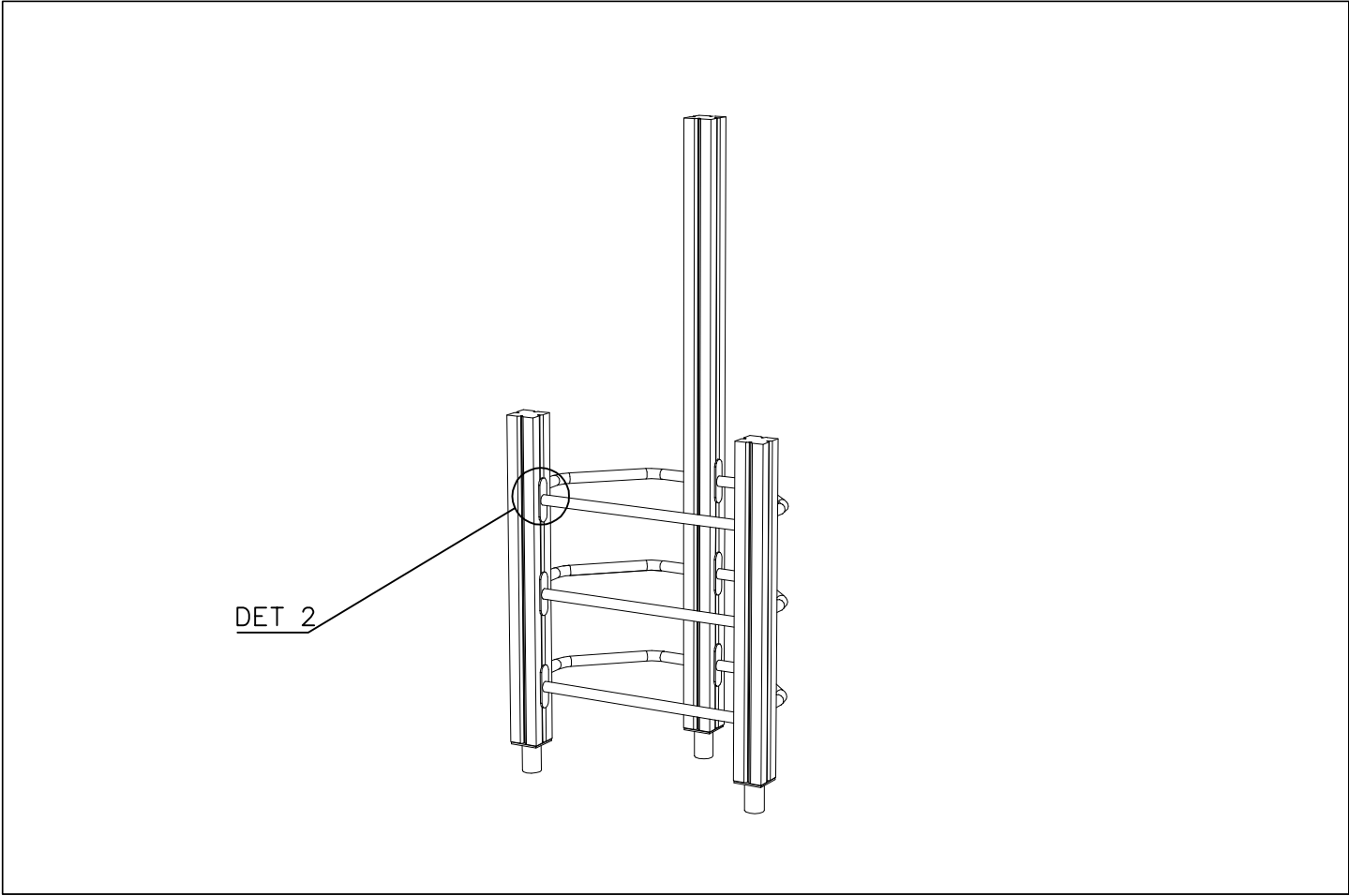
006810  L 1050	PCS 2	006819  L 1950	PCS 1	008875  GREEN	PCS 1	900240  8x70	PCS 36	905104  M10	PCS 12	905120  Ø14	PCS 6
905137  YELLOW	PCS 3	905195  YELLOW	PCS 3	909521  GREEN	PCS 3	909543  L 704	PCS 3	909575  GREEN	PCS 1	909892  GREEN	PCS 6
980131  6x60	PCS 12		PCS		PCS		PCS		PCS		PCS
	PCS		PCS		PCS		PCS		PCS		PCS
	PCS		PCS		PCS		PCS		PCS		PCS
	PCS		PCS		PCS		PCS		PCS		PCS
	PCS		PCS		PCS		PCS		PCS		PCS

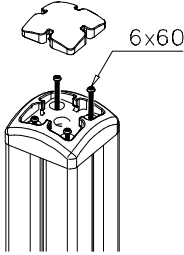
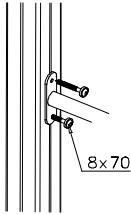


<p>M10          905104          909521</p>	<p>Sand 0.2-2 mm/          Gravel 2-8 mm          100          300          600</p>		

EN Impact Area 10.9 m<sup>2</sup>





DET 1 	DET 2 	DET 3 