

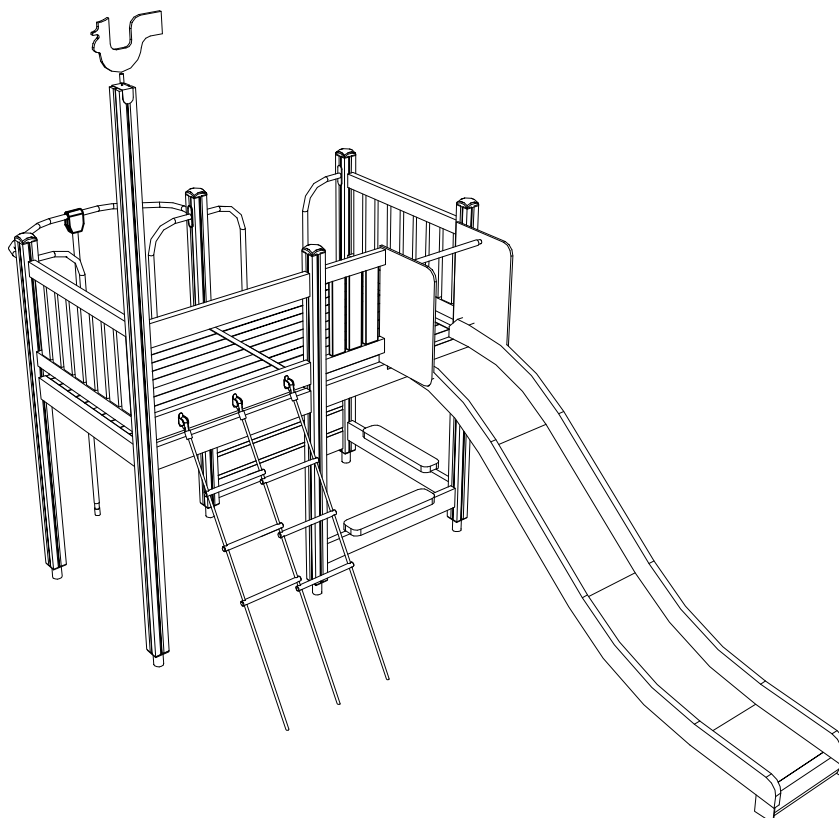
# **LAPPSET®**

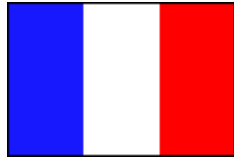
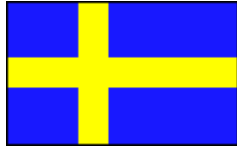
## **FINNO**

ASENNUSOHJE  
MONTERINGSANSVISNING  
INSTALLATION INSTRUCTION  
AUFBAUANLEITUNG  
NOTICE D'INSTALLATION

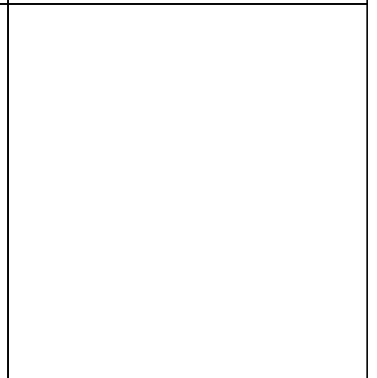
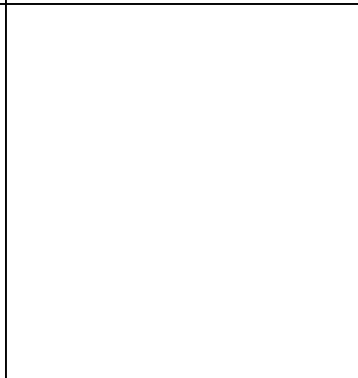
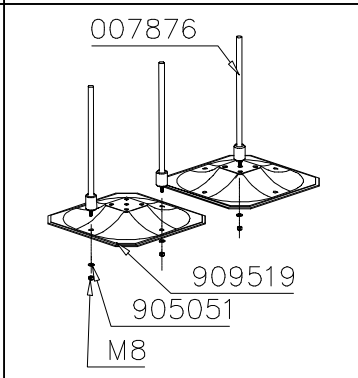
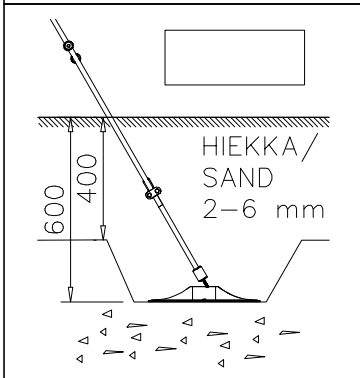
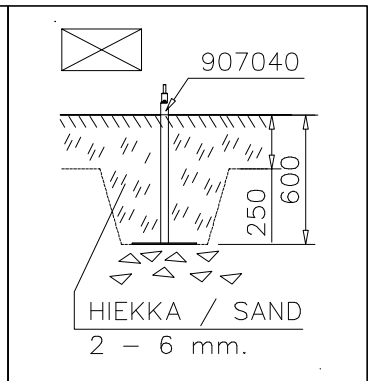
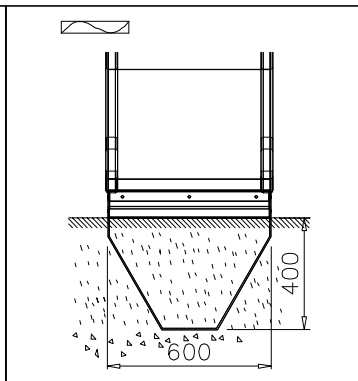
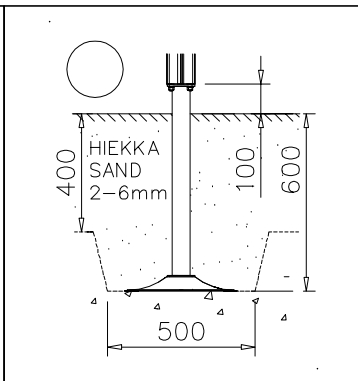
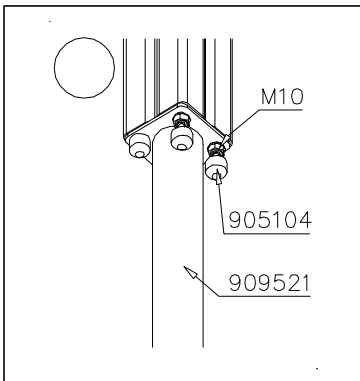
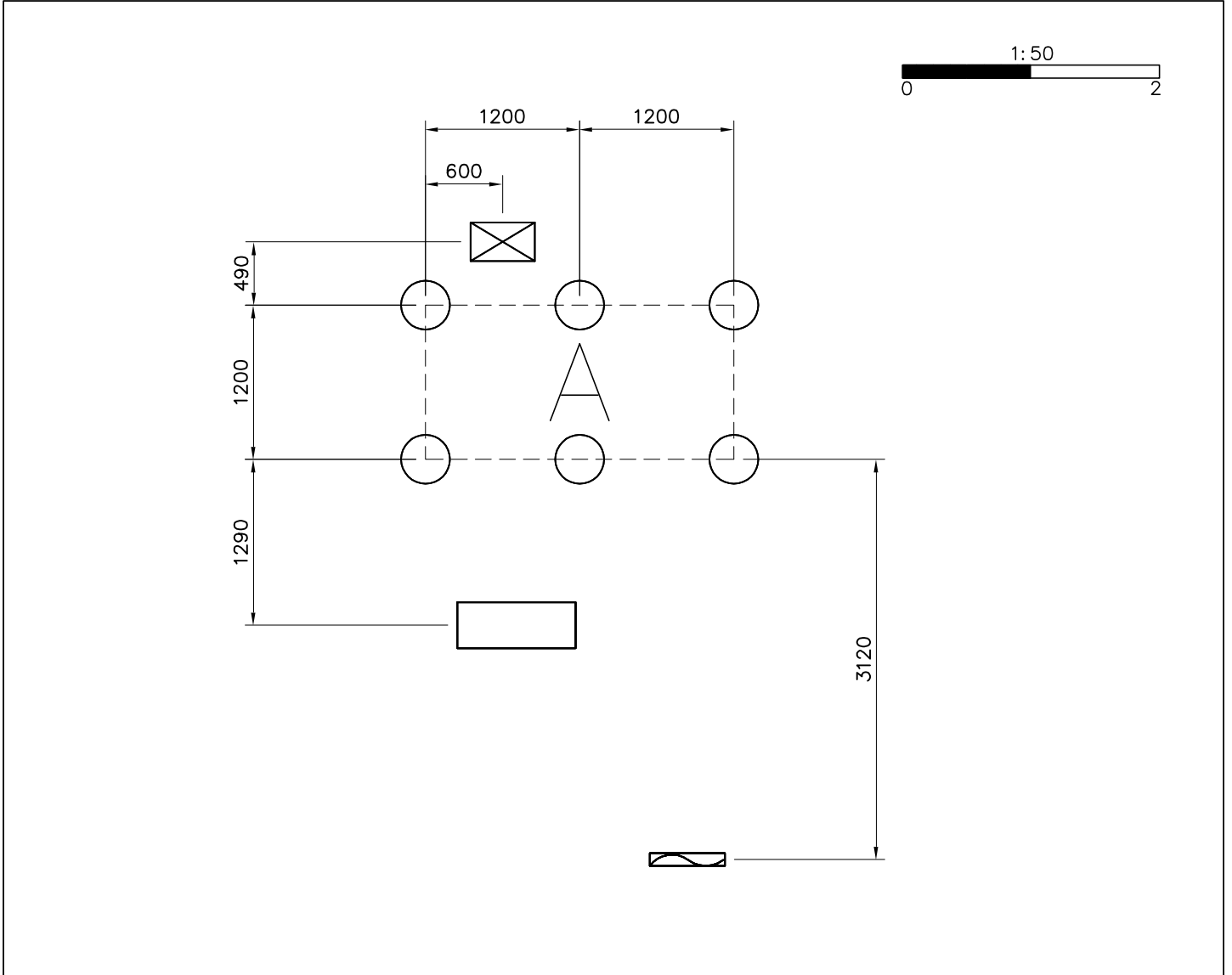
REF: 120053  
DATE: 9.3.2004

### **120053**

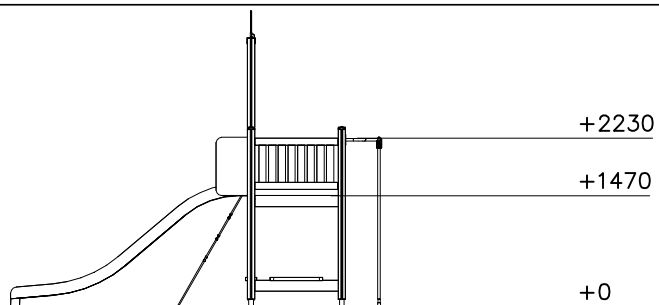
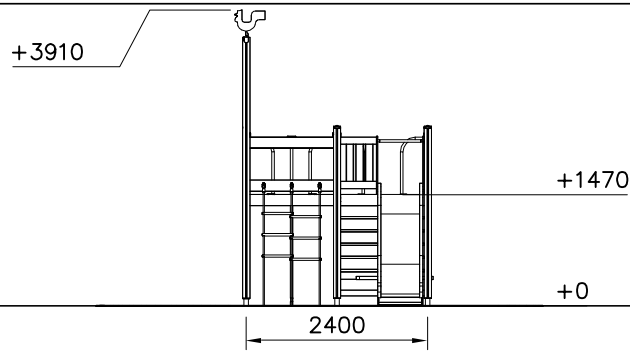
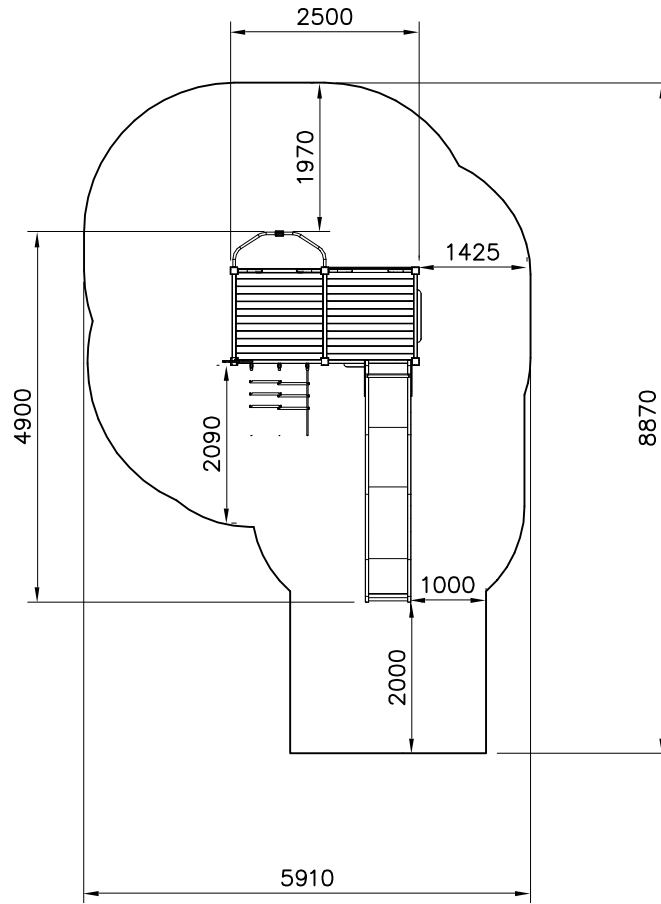
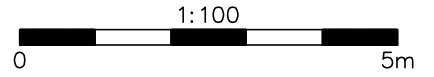


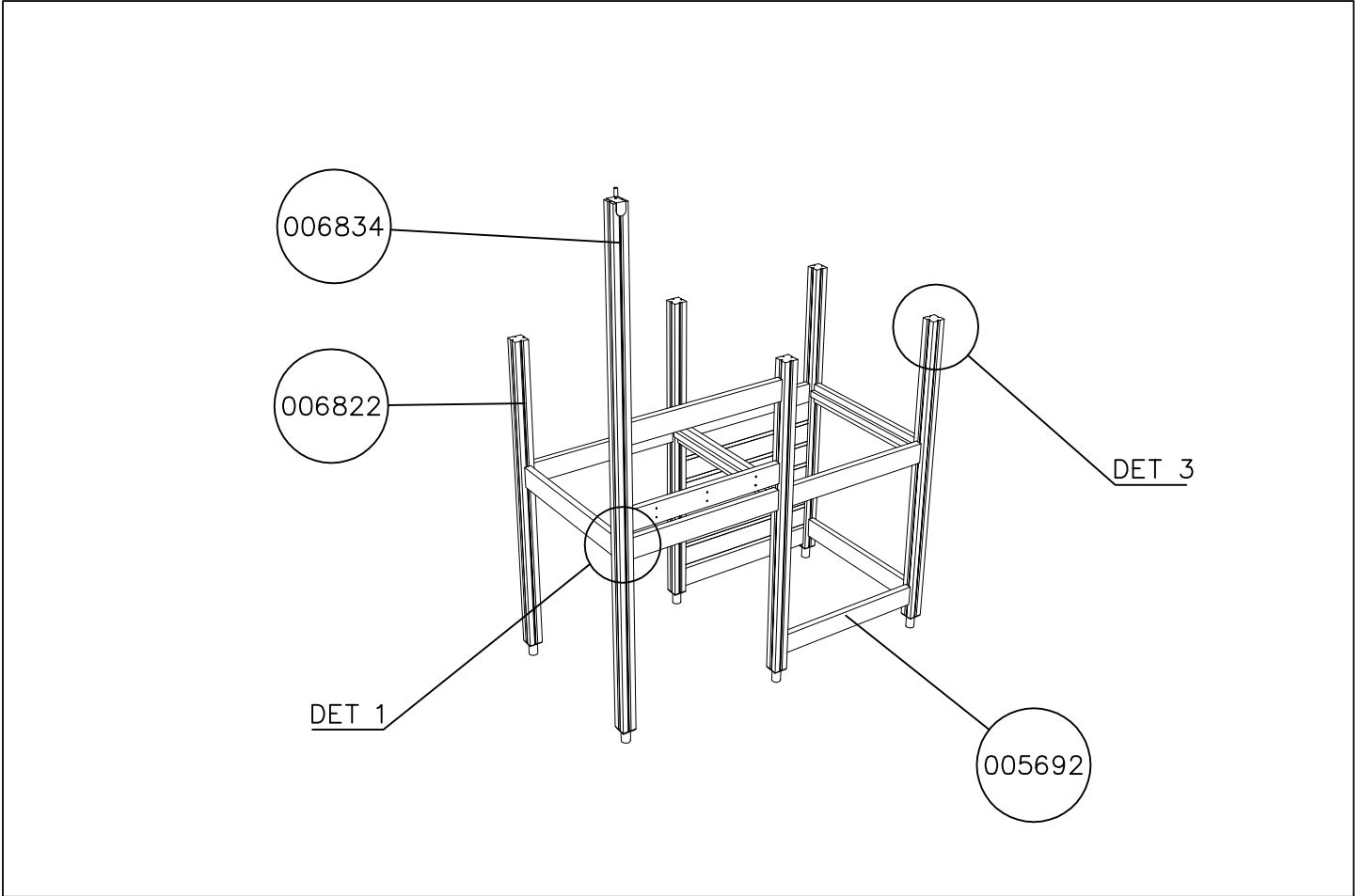


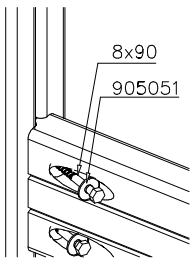
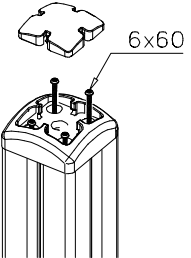
001770	PCS 1	003010	PCS 1	003614	PCS 1	003777	PCS 1	003787	PCS 2	003880	PCS 1
003894	PCS 1	005077	PCS 1	005692	PCS 6	006822	PCS 5	006834	PCS 1	007121	PCS 1
					L 1104		L 2250		L 3450		
007333	PCS 2	007874	PCS 1	905051	PCS 24	905083	PCS 6	905104	PCS 24	905112	PCS 6
					Ø24/8.4		Ø32		M10		Ø22
905120	PCS 12	905138	PCS 5	905196	PCS 5	907044	PCS 1	909217	PCS 6	909238	PCS 24
	Ø14		GREY		GREY		L 2090		8x70		8x90
909521	PCS 6	909540	PCS 2	980131	PCS 20	980151	PCS 6		PCS		PCS
					6x60		Ø16/8.4				
	PCS		PCS		PCS		PCS		PCS		PCS
	PCS		PCS		PCS		PCS		PCS		PCS



EN Impact Area 38.7 m<sup>2</sup>





DET 1 	DET 2 	DET 3 