

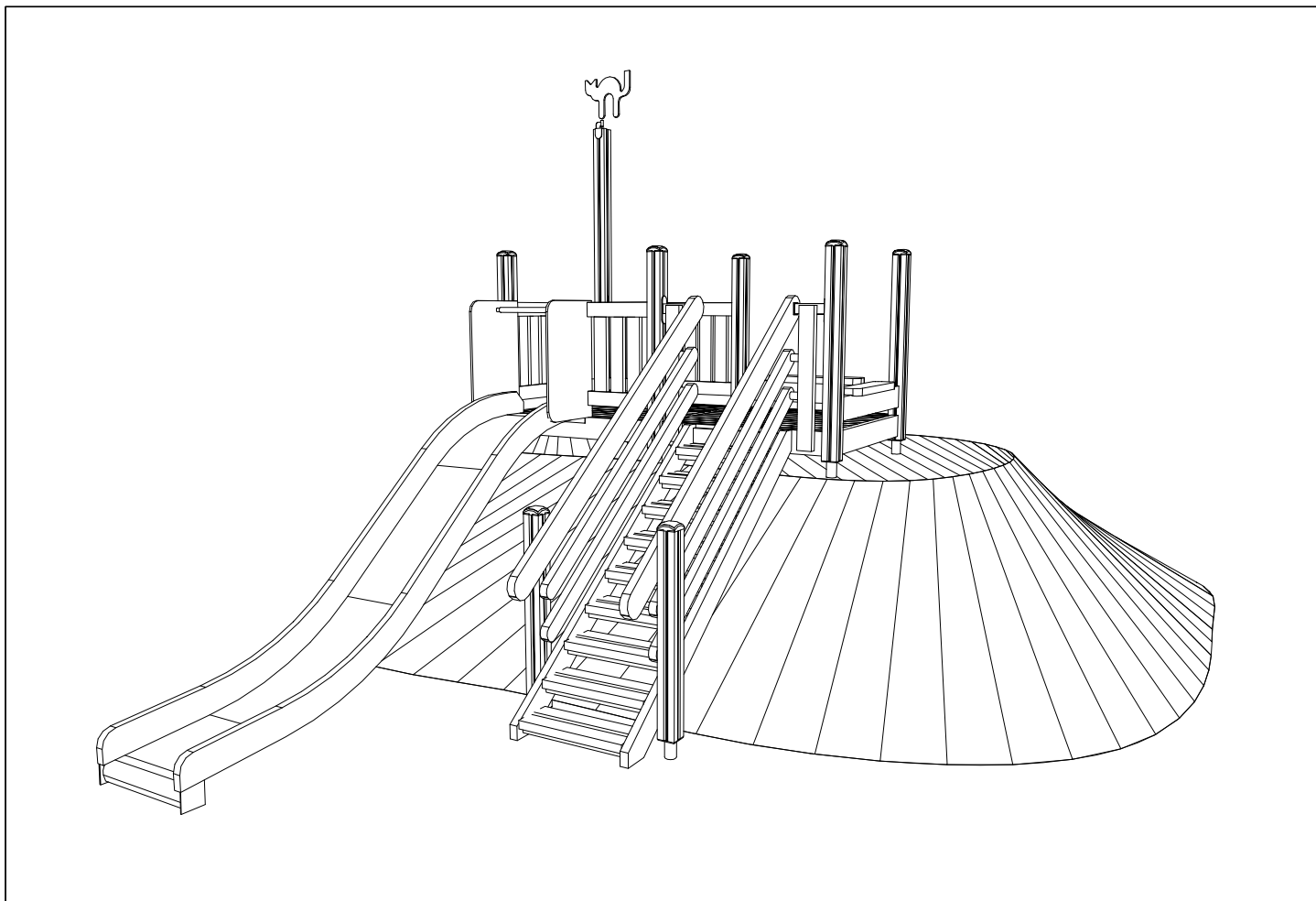
# **LAPPSET®**

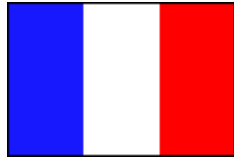
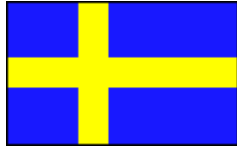
## **FINNO**

ASENNUSOHJE  
MONTERINGSANSVISNING  
INSTALLATION INSTRUCTION  
AUFBAUANLEITUNG  
NOTICE D'INSTALLATION

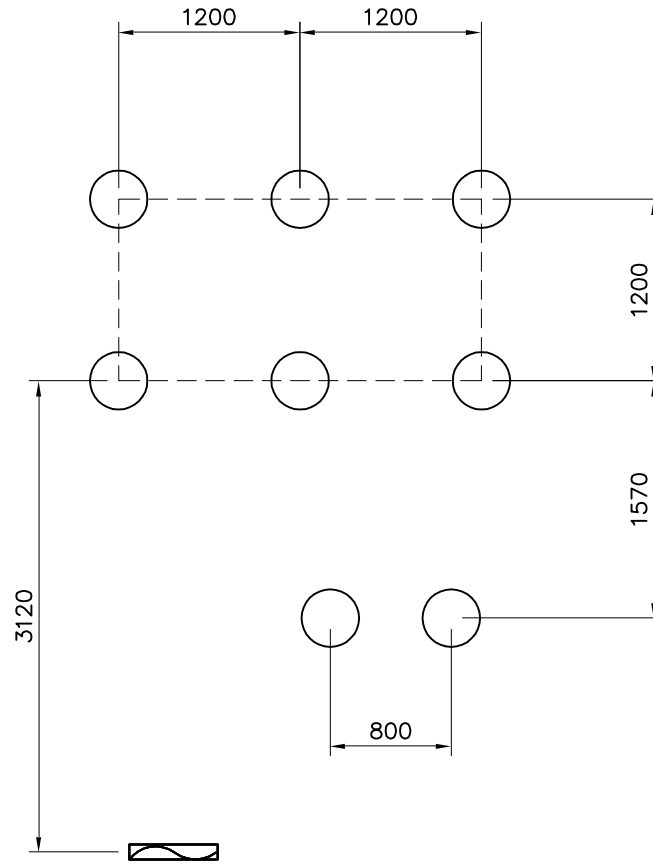
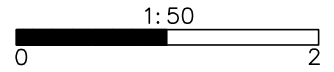
REF: 120064  
DATE: 15.6.2003

# **120064**



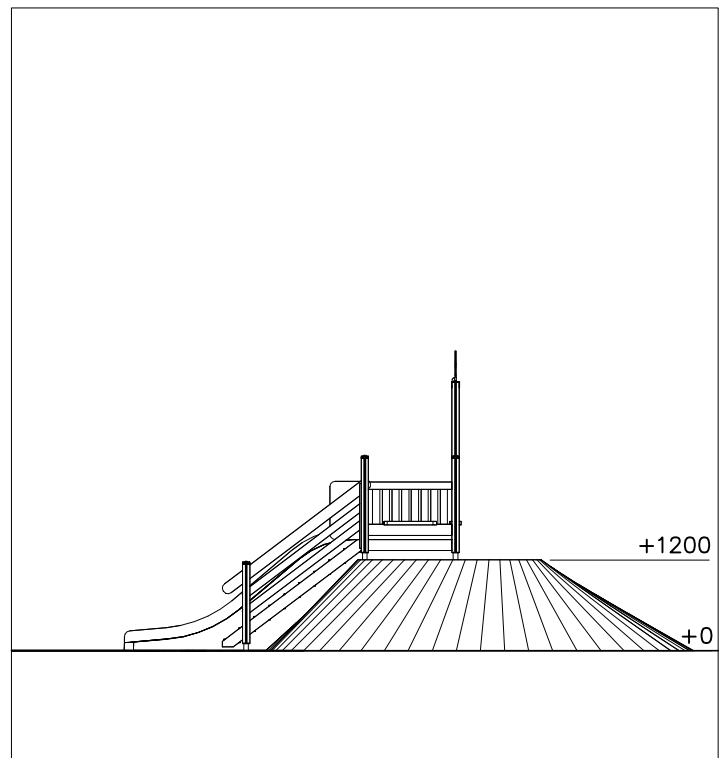
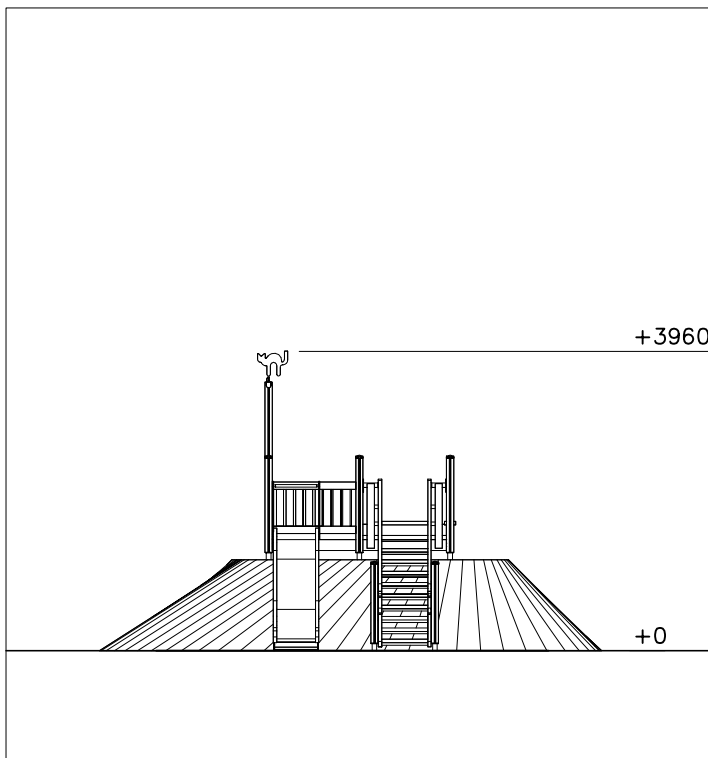
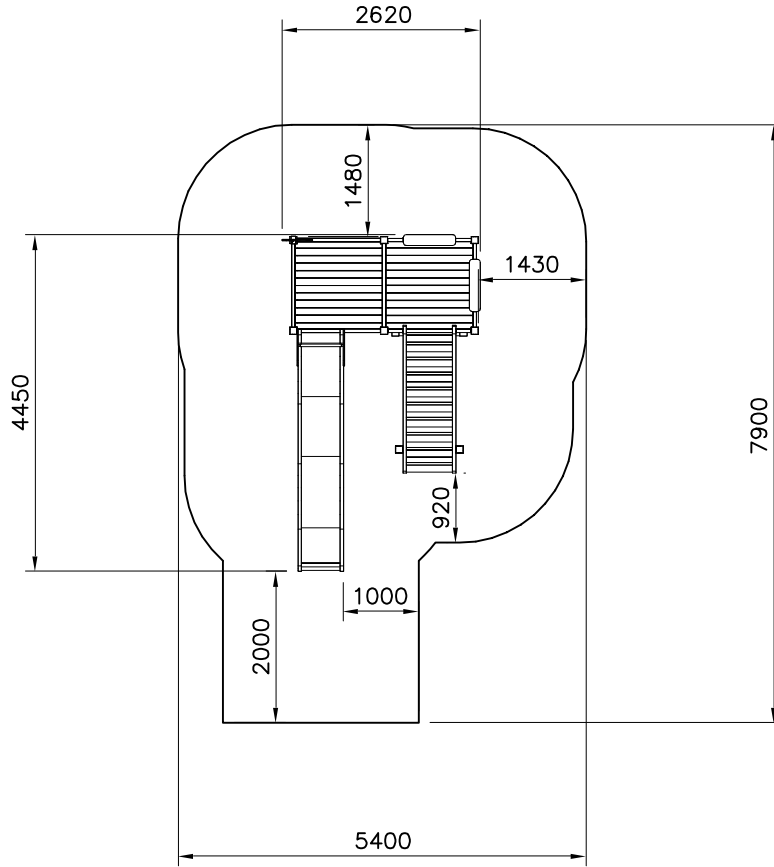
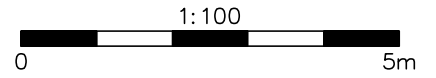


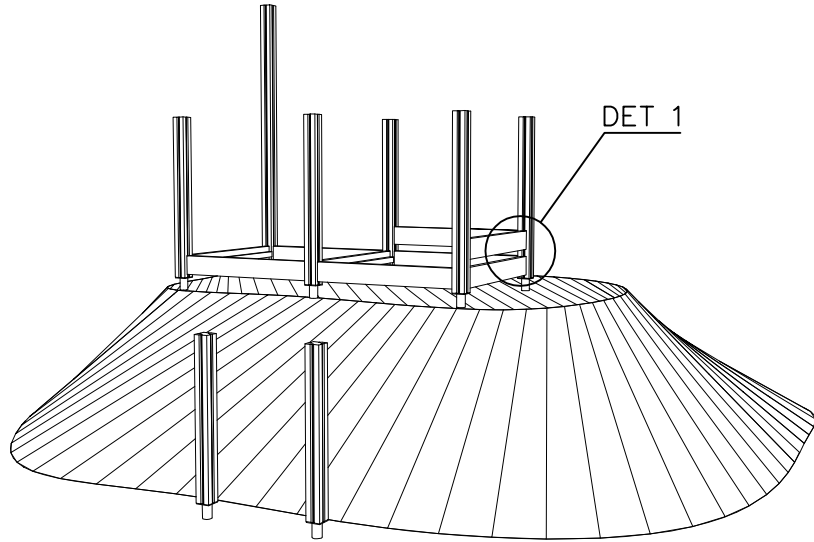
001770	PCS 1	001849	PCS 1	003010	PCS 1	003614	PCS 1	003788	PCS 2	003880	PCS 1
								YELLOW			
003894	PCS 1	005692	PCS 5	006810	PCS 2	006812	PCS 5	006822	PCS 1	007122	PCS 1
		L 1104		L 1050		L 1250		L 2250			
007333	PCS 2	905051	PCS 20	905104	PCS 32	905120	PCS 16	905138	PCS 7	905196	PCS 7
		Ø24/8.4						GREY		GREY	
909238	PCS 20	909521	PCS 8	980131	PCS 28						
8x90				6x60							
	PCS		PCS		PCS		PCS		PCS		PCS
	PCS		PCS		PCS		PCS		PCS		PCS
	PCS		PCS		PCS		PCS		PCS		PCS



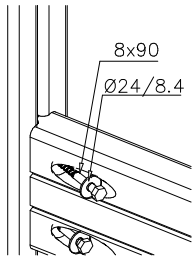
<p>M10          905104          909521</p>	<p>Sand 0.2-2 mm/          Gravel 2-8 mm          100          300          600</p>	<p>Sand 0.2-2 mm/          Gravel 2-8 mm          300          400</p>	

EN Impact Area 33.8 m<sup>2</sup>

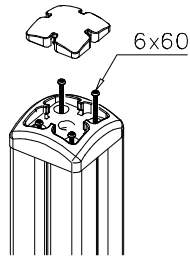




DET 1



DET 2



DET 3

