

# **LAPPSET®**

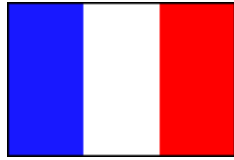
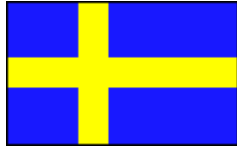
## **FINNO**

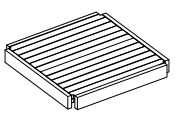
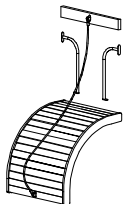
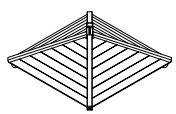
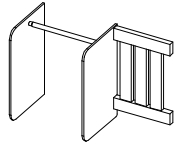
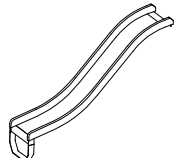
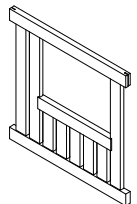






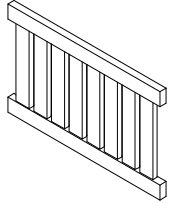
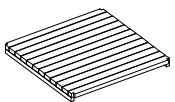
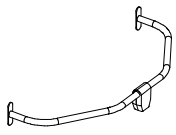
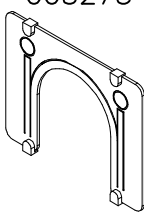
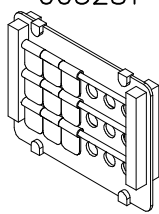
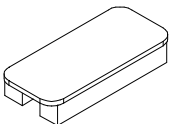






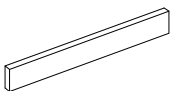
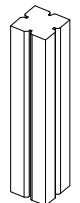


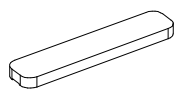
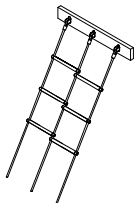




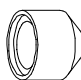


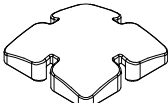
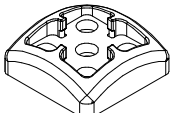

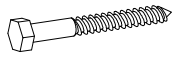
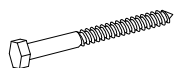
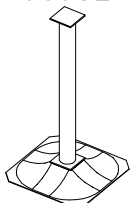
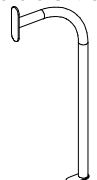

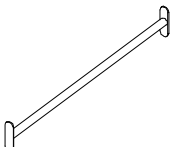


ASENNUSOHJE  
MONTERINGSANSVISNING  
INSTALLATION INSTRUCTION  
AUFBAUANLEITUNG  
NOTICE D'INSTALLATION

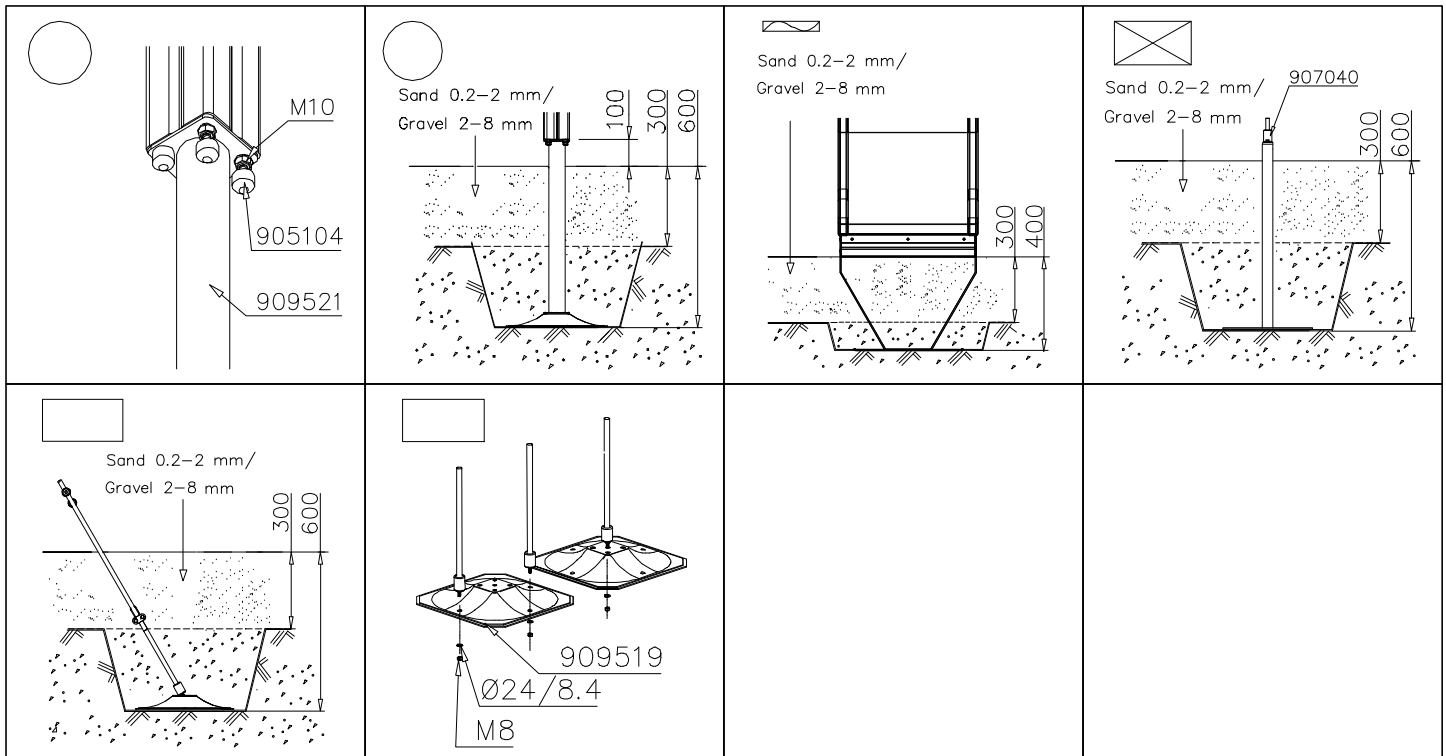
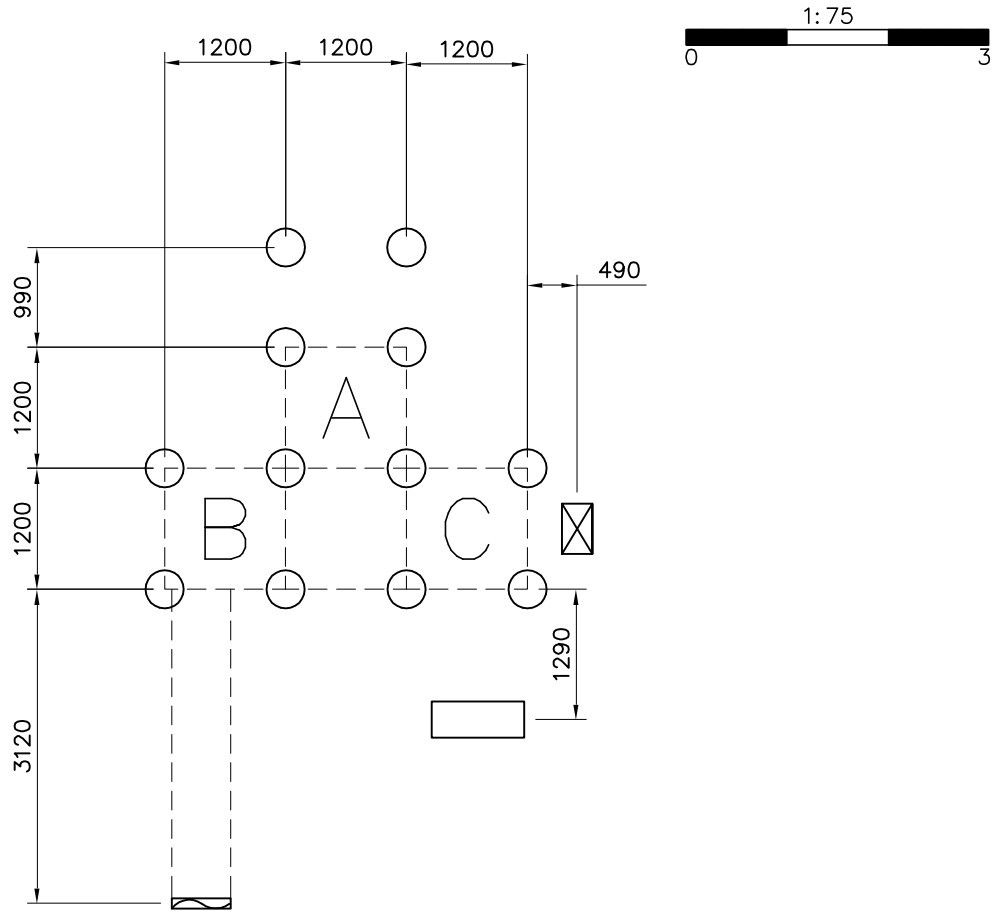
REF: 120102  
DATE: 15.6.2003

# **120102**

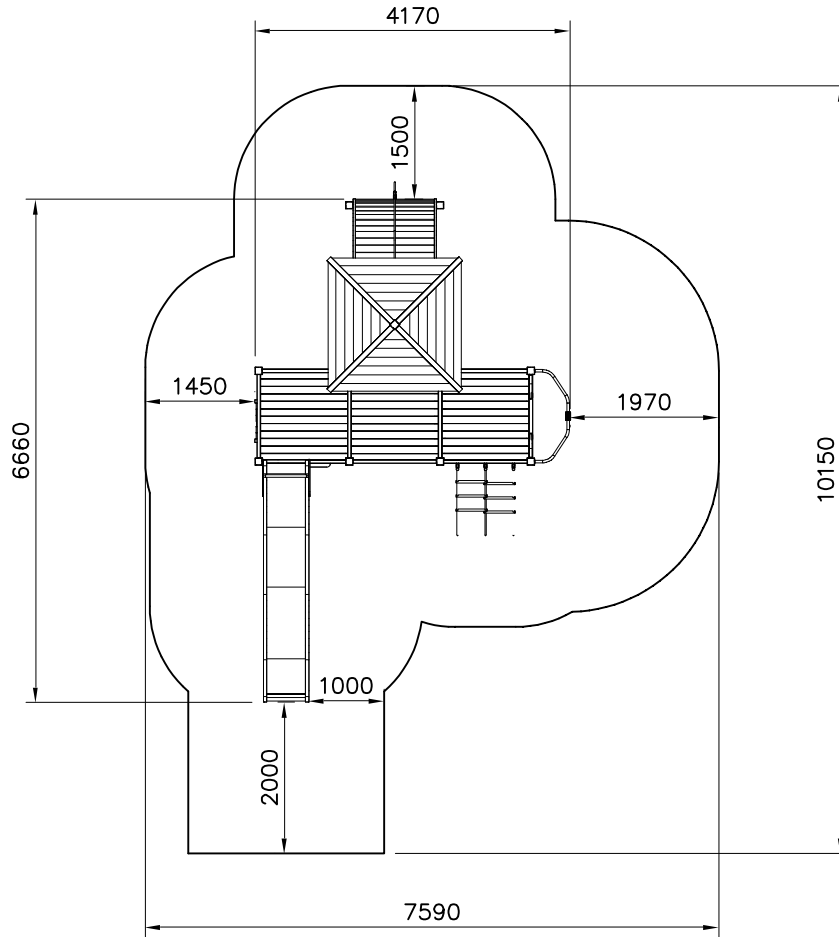
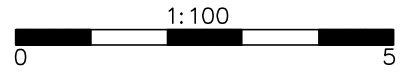




001770	PCS 3	001818	PCS 1	002799	PCS 1	003010	PCS 1	003614	PCS 1	003700	PCS 2
											
											
003787	PCS 5	003880	PCS 1	005077	PCS 1	005273	PCS 1	005281	PCS 1	005285	PCS 1
											
	BLUE										
005692	PCS 5	006804	PCS 2	006822	PCS 6	006828	PCS 4	007333	PCS 2	007874	PCS 1
											
L 1104		L 450		L 2250		L 2850					
905051	PCS 20	905083	PCS 18	905104	PCS 48	905112	PCS 18	905120	PCS 32	905138	PCS 8
											
Ø24/8.4		Ø32		M10		Ø22		Ø14		GREY	
905196	PCS 8	907044	PCS 1	909217	PCS 18	909238	PCS 20	909521	PCS 12	909540	PCS 2
											
GREY		L 2090		8x70		8x90					
909542	PCS 3	980131	PCS 32	980151	PCS 18						
											
L 1104		6x60		Ø16/8.4							
	PCS		PCS		PCS		PCS		PCS		PCS



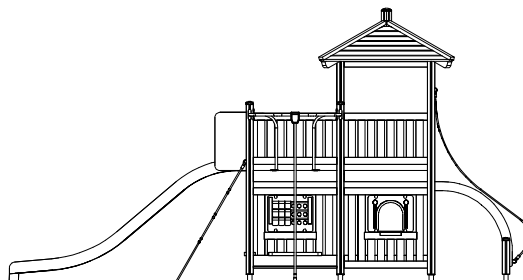
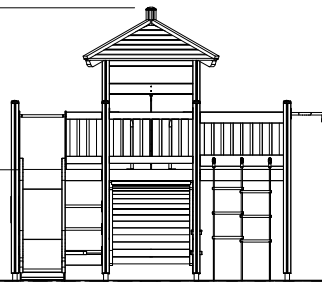
EN Impact Area 52.4 m<sup>2</sup>

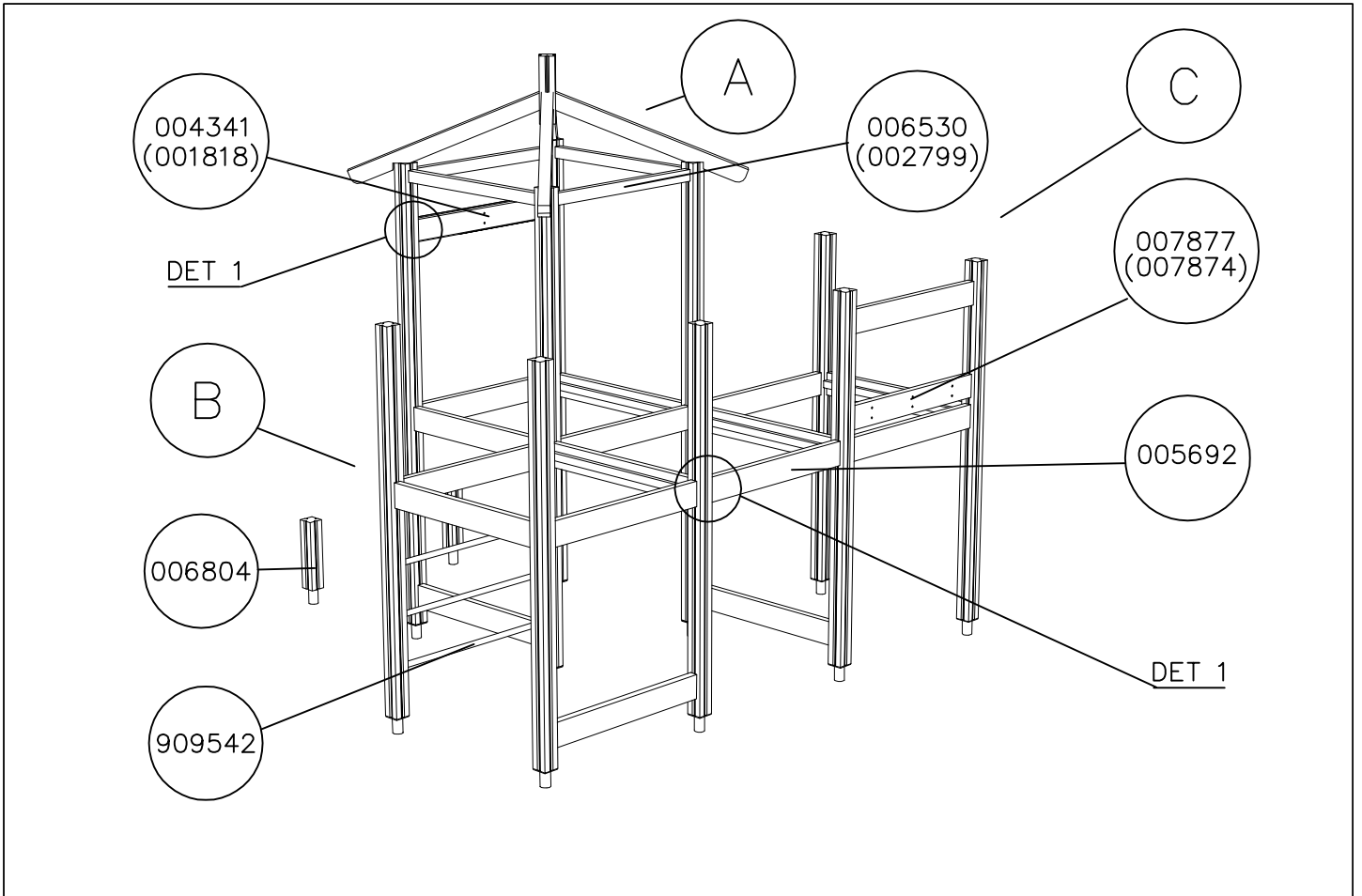


+3610

+1470

+0





<p>DET 1</p> <p>8x90 Ø24/8.4</p>	<p>DET 2</p> <p>6x60</p>	<p>DET 3</p> <p>8x70 905083 905112 Ø16/8.4</p>	<p>DET 4</p> <p>905112 Ø16/8.4 905083 8x70</p>
<p>DET 5</p> <p>Ø16/8.4 905112 8x70 905083</p>	<p>DET 6</p> <p>905120</p>		

