

LAPPSET®

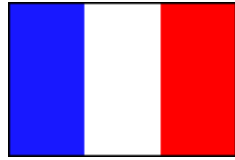
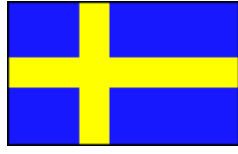
FINNO

ASENNUSOHJE
MONTERINGSANSVISNING
INSTALLATION INSTRUCTION
AUFBAUANLEITUNG
NOTICE D'INSTALLATION

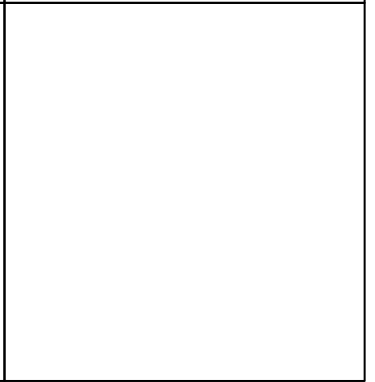
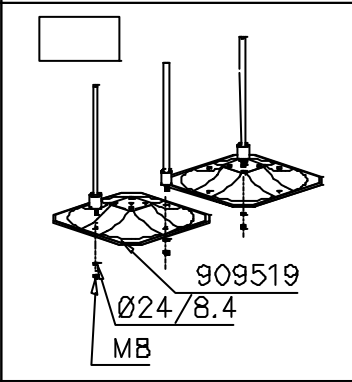
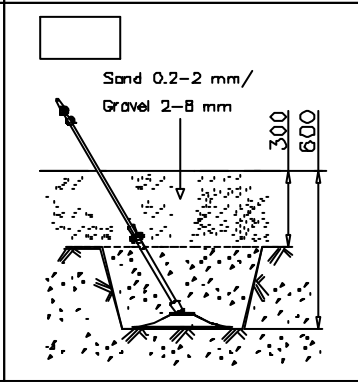
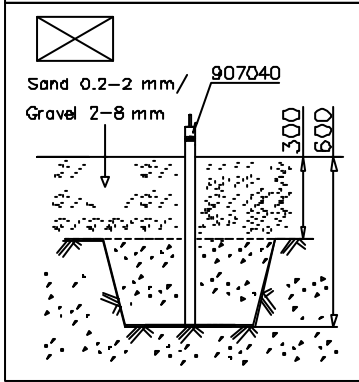
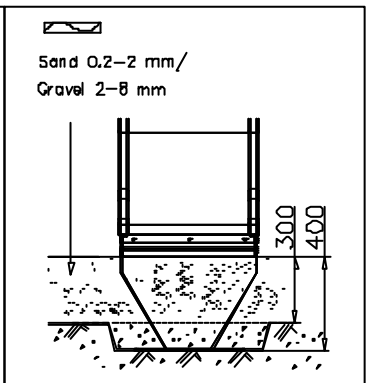
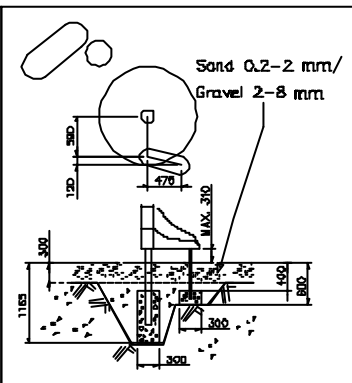
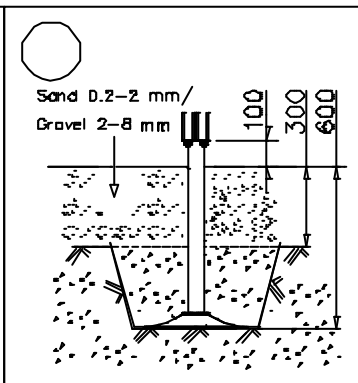
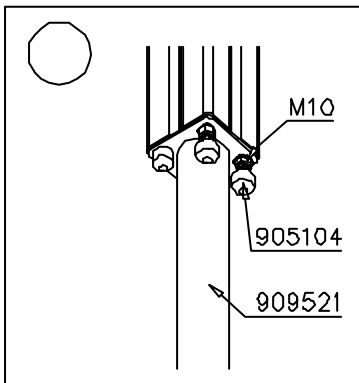
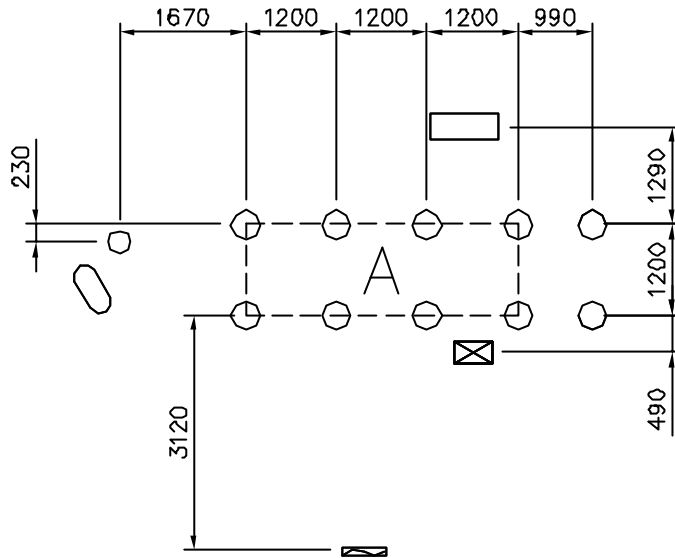
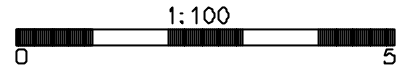
REF: 120104
DATE: 15.9.2003

120104

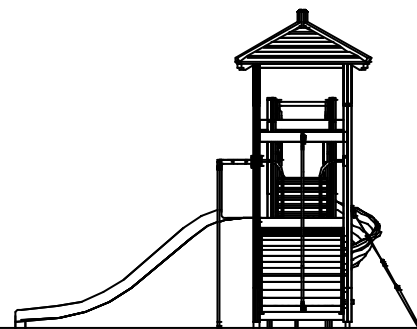
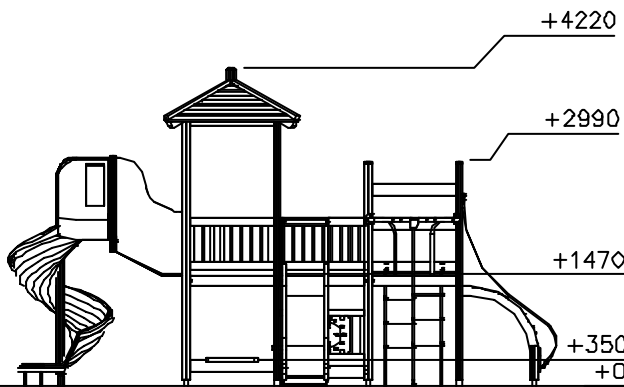
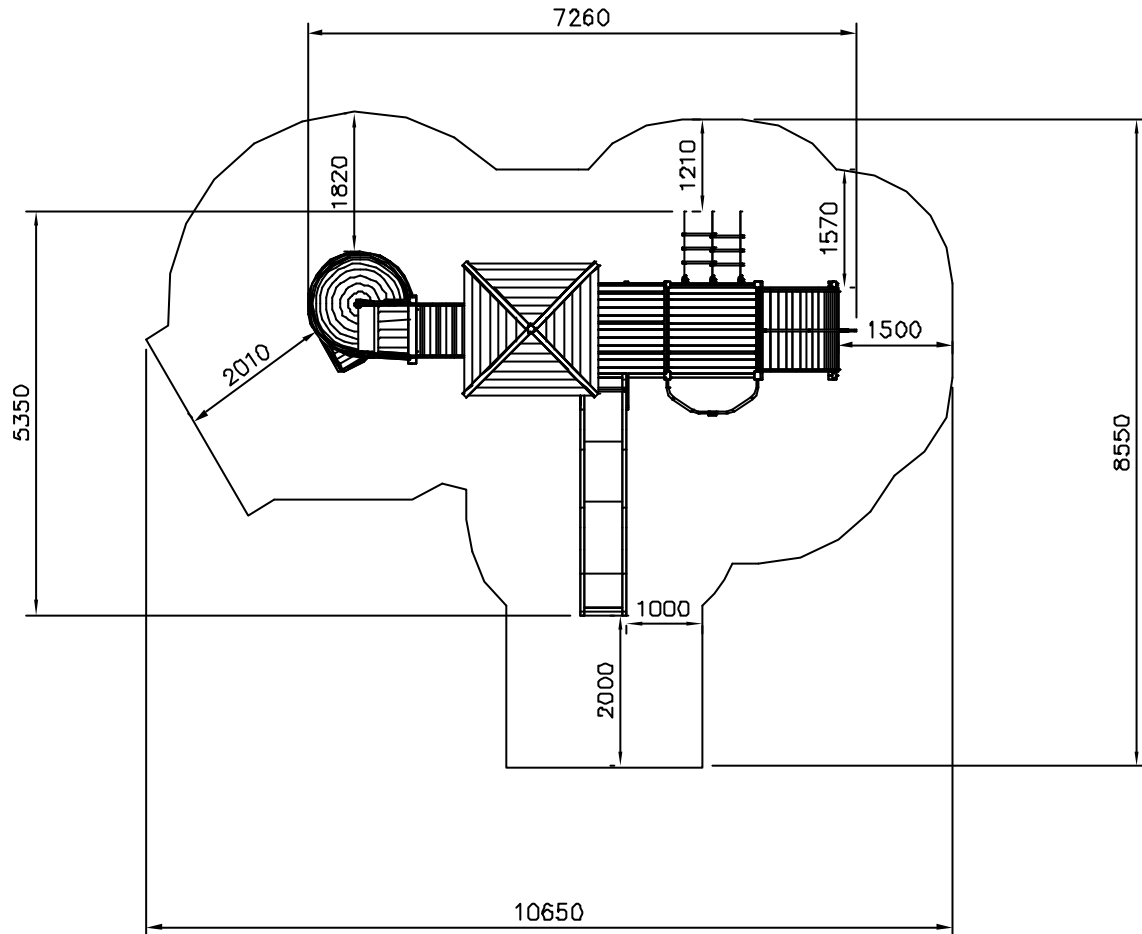
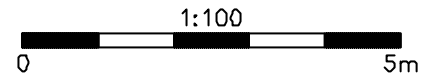


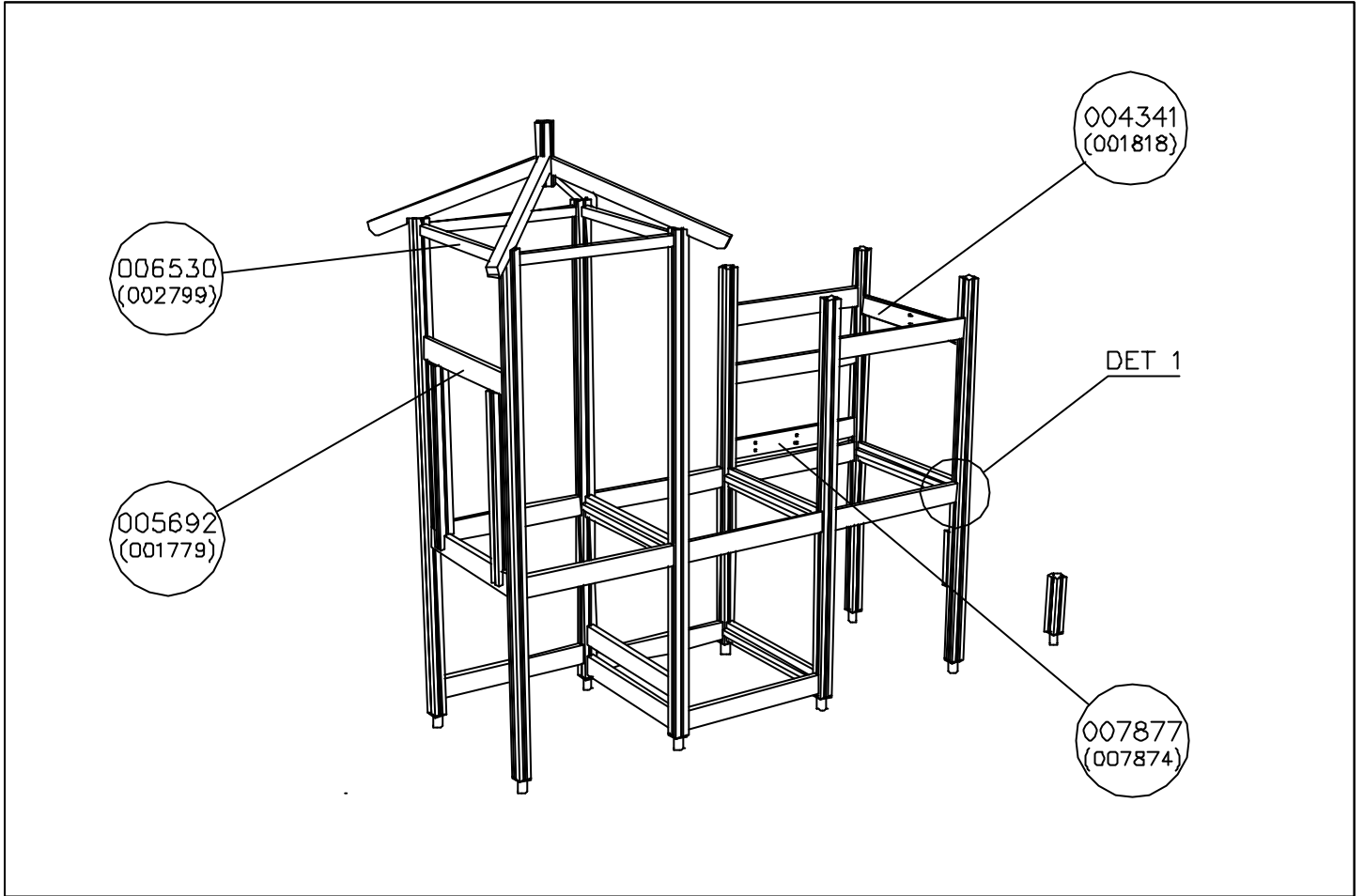


001770	PCS 3	001779	PCS 1	001818	PCS 1	002799	PCS 1	003010	PCS 1	003603	PCS 1
003614	PCS 1	003787	PCS 3	003798	PCS 1	003880	PCS 1	005077	PCS 1	005271	PCS 1
005692	PCS 7	006804	PCS 2	006828	PCS 4	006834	PCS 4	007333	PCS 2	007874	PCS 1
L 1104		L 450		L 2850		L 3450					
905051	PCS 28	905083	PCS 6	905104	PCS 40	905112	PCS 6	905120	PCS 20	905138	PCS 4
Ø24/B.4		Ø32		M10		Ø22		Ø14		GREY	
905196	PCS 4	907044	PCS 1	909217	PCS 6	909238	PCS 28	909521	PCS 10	909540	PCS 2
GREY		L 2090		8x70		8x90					
980131	PCS 16	980151	PCS 6		PCS		PCS		PCS		PCS
6x60		Ø16/B.4									
	PCS		PCS		PCS		PCS		PCS		PCS

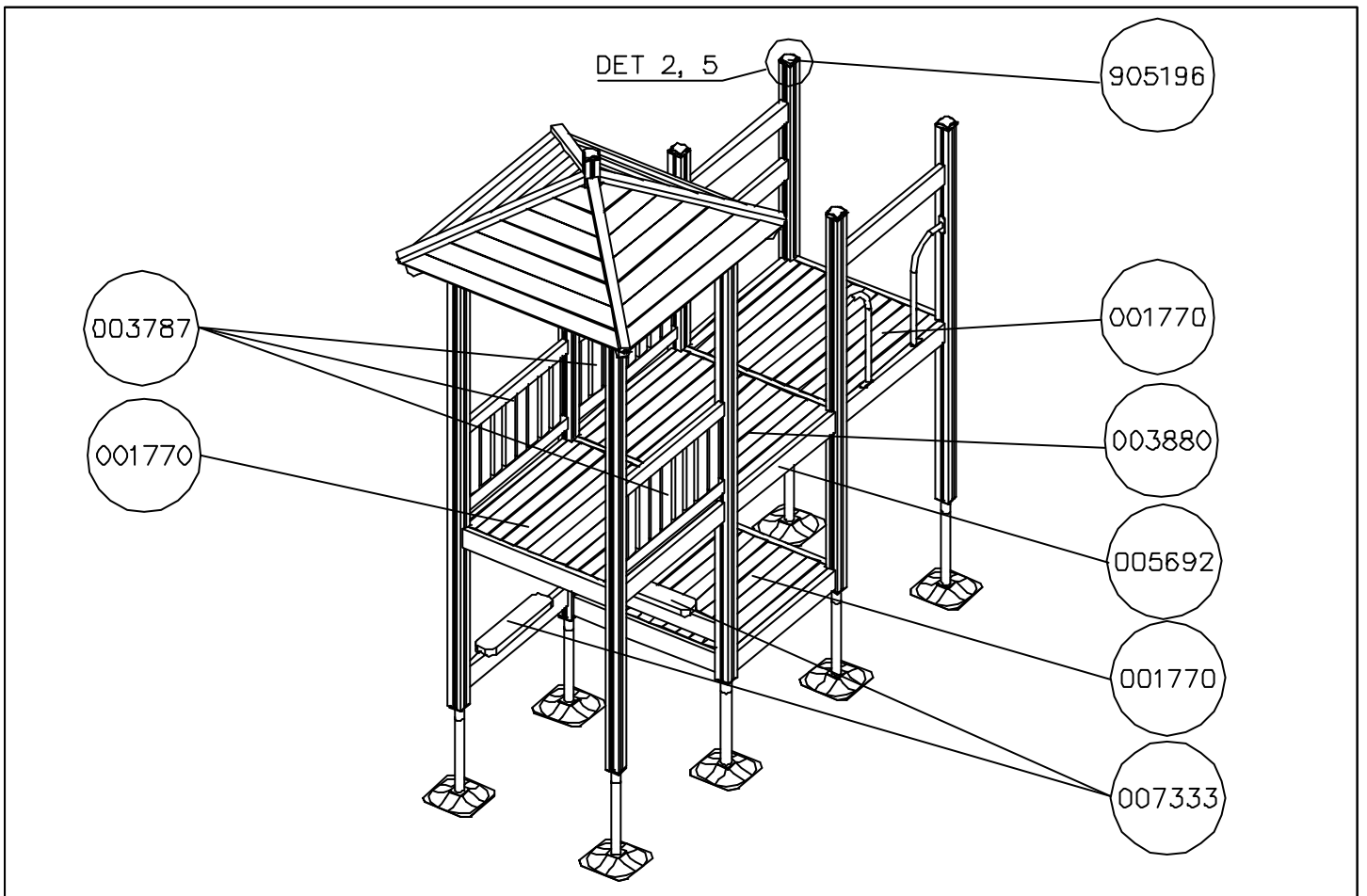
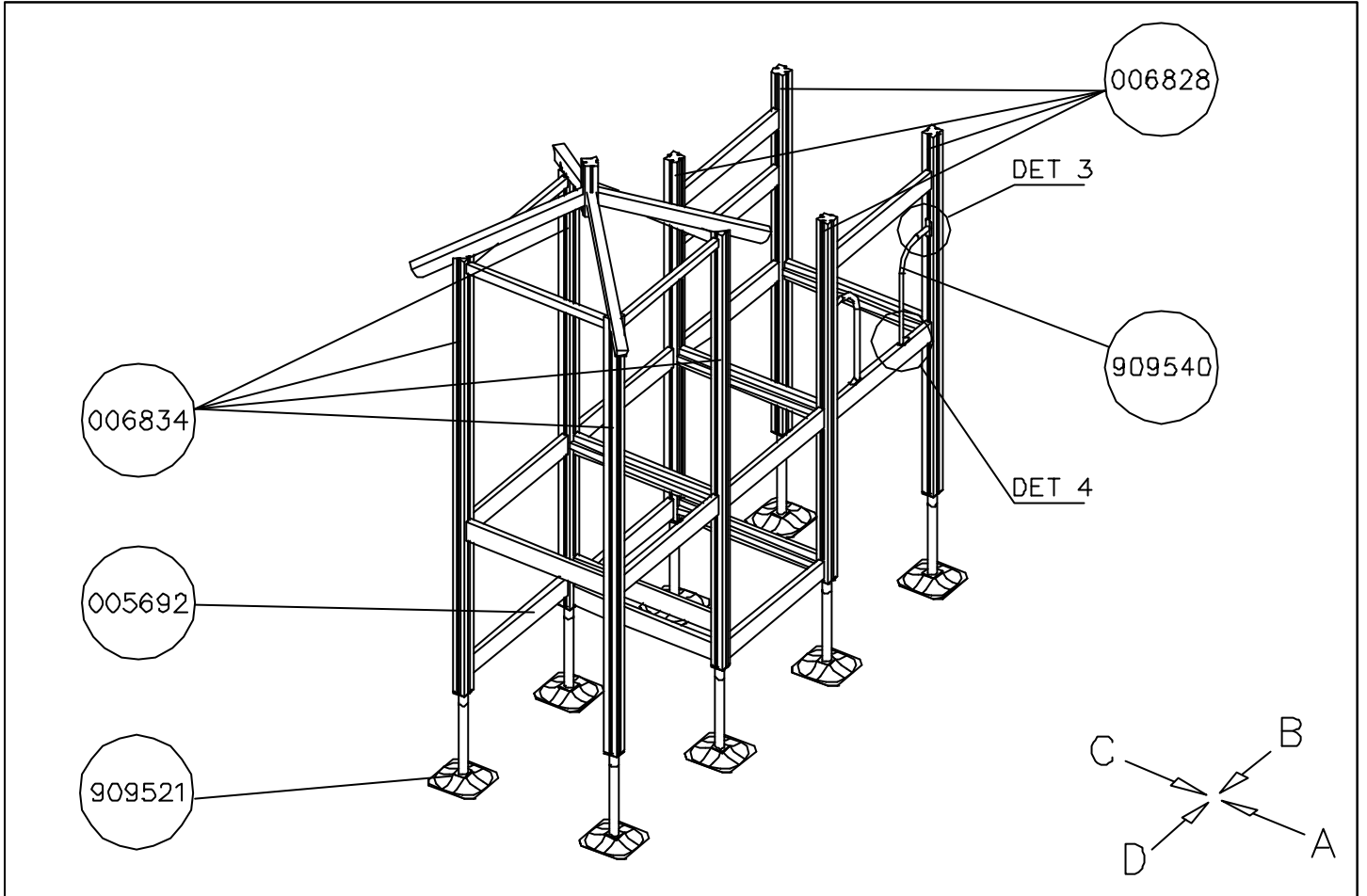


EN Impact Area 58.1 m²





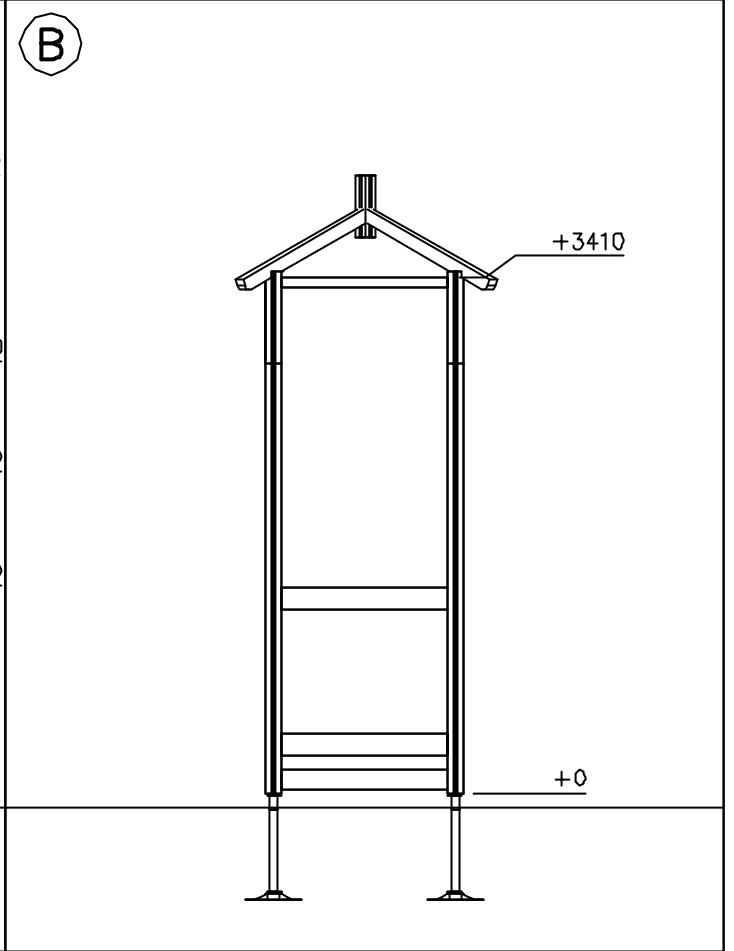
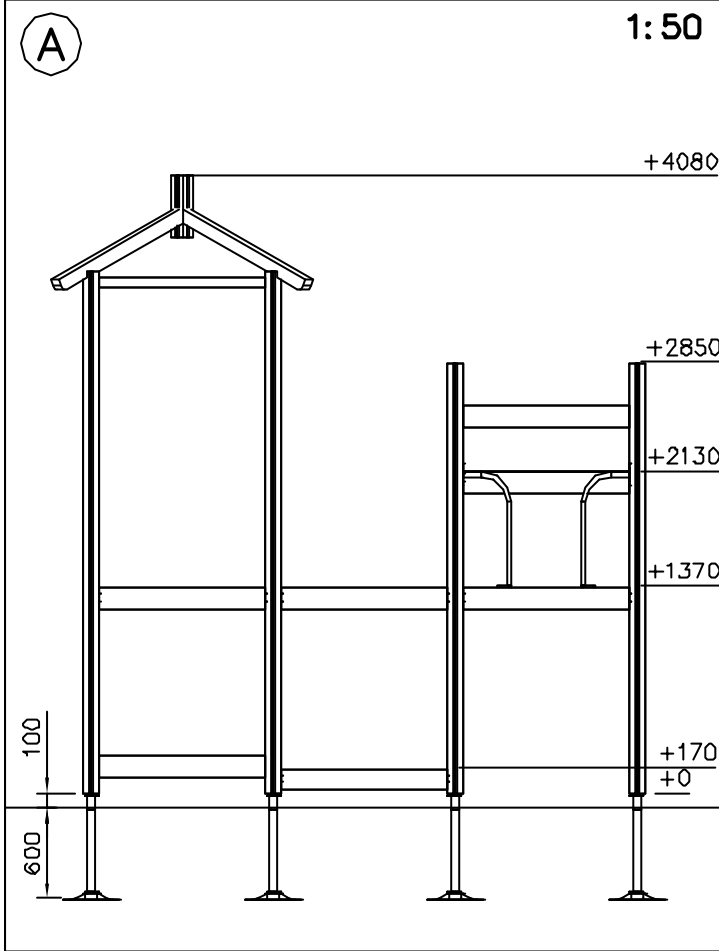
<p>DET 1</p> <p>8x90 Ø24/8.4</p>	<p>DET 2</p> <p>6x60</p>	<p>DET 3</p> <p>8x70 905083 905112 Ø16/8.4</p>	<p>DET 4</p> <p>905112 Ø16/8.4 905083 8x70</p>
<p>DET 5</p> <p>90512D</p>			



1: 50

(A)

(B)



(C)

(D)

