

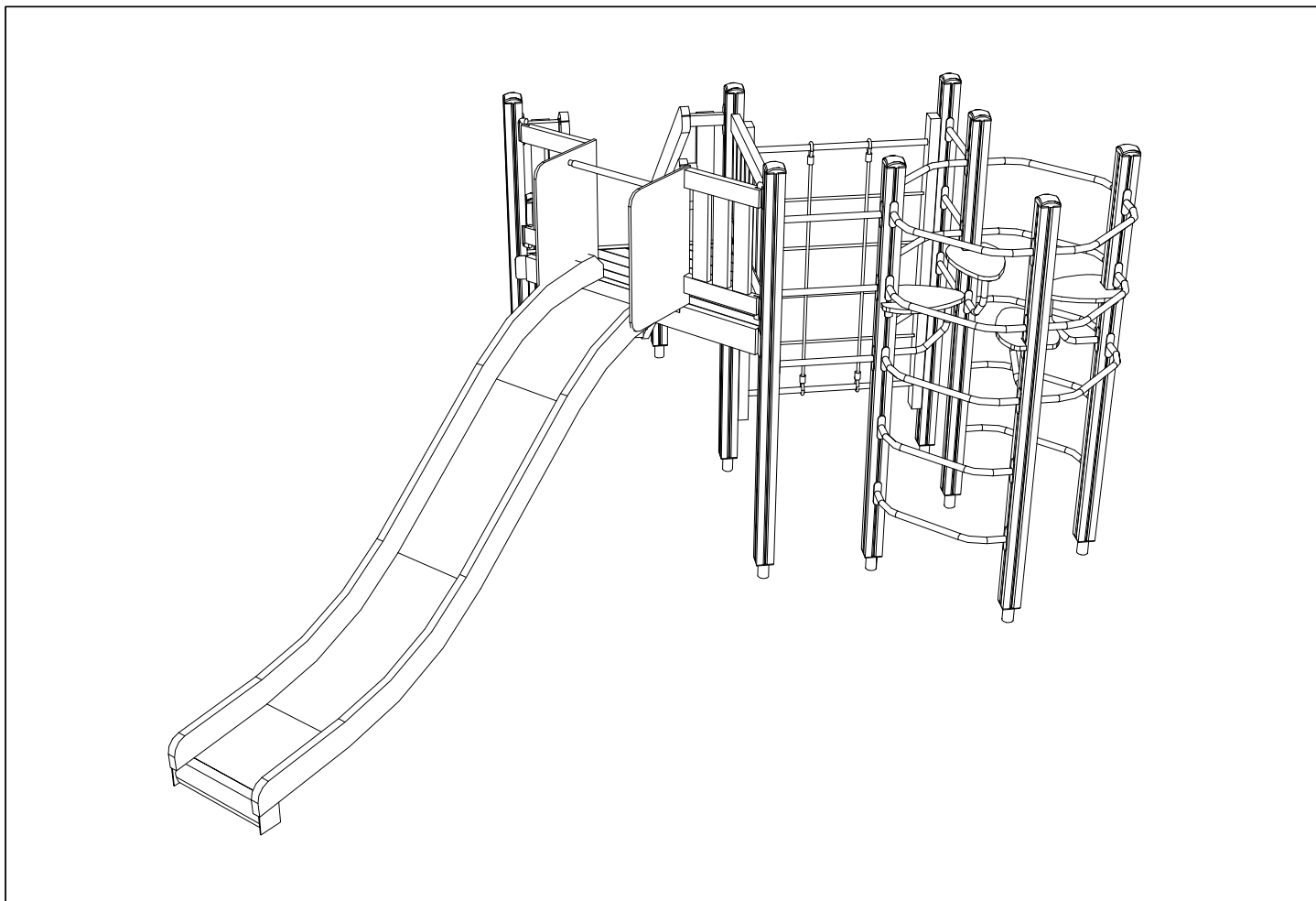
LAPPSET®

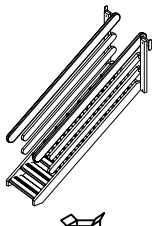
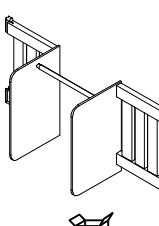
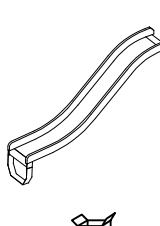
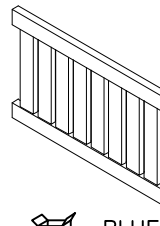
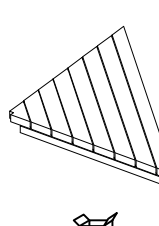
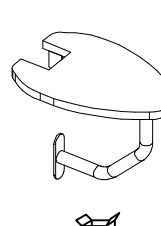
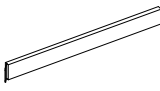
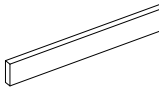
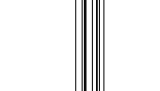

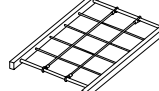
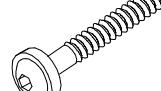



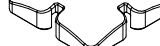


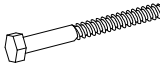
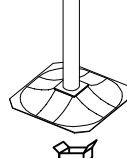




FINNO

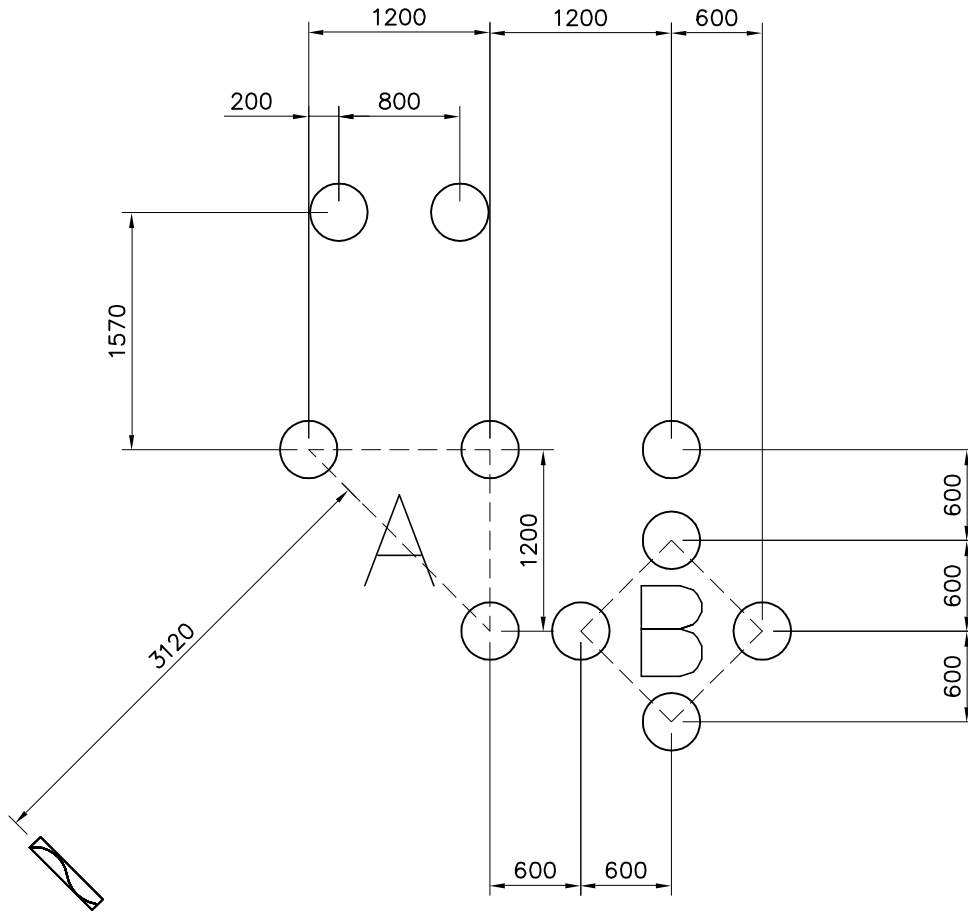
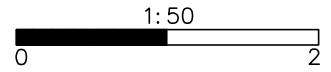
ASENNUSOHJE
MONTERINGSANSVISNING
INSTALLATION INSTRUCTION
AUFBAUANLEITUNG
NOTICE D'INSTALLATION

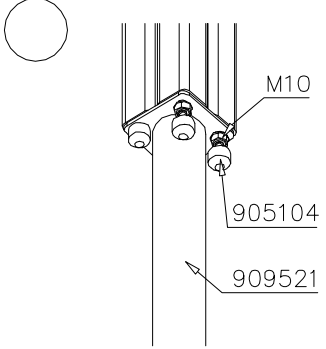
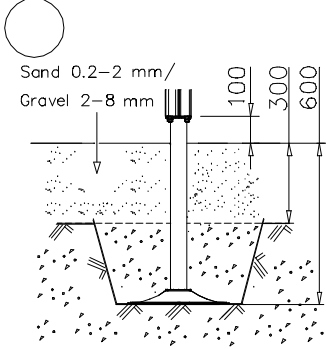
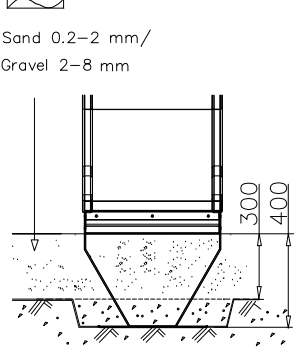
REF: 120115
DATE: 1.4.2005

120115

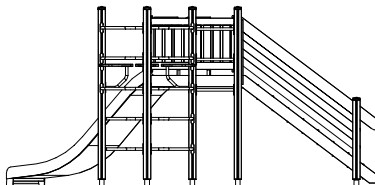
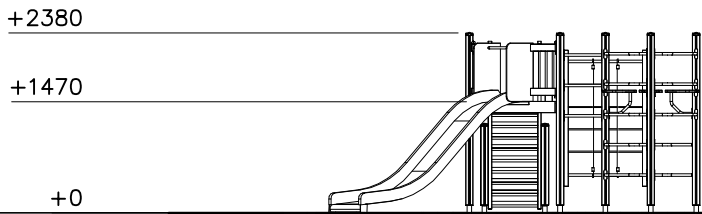
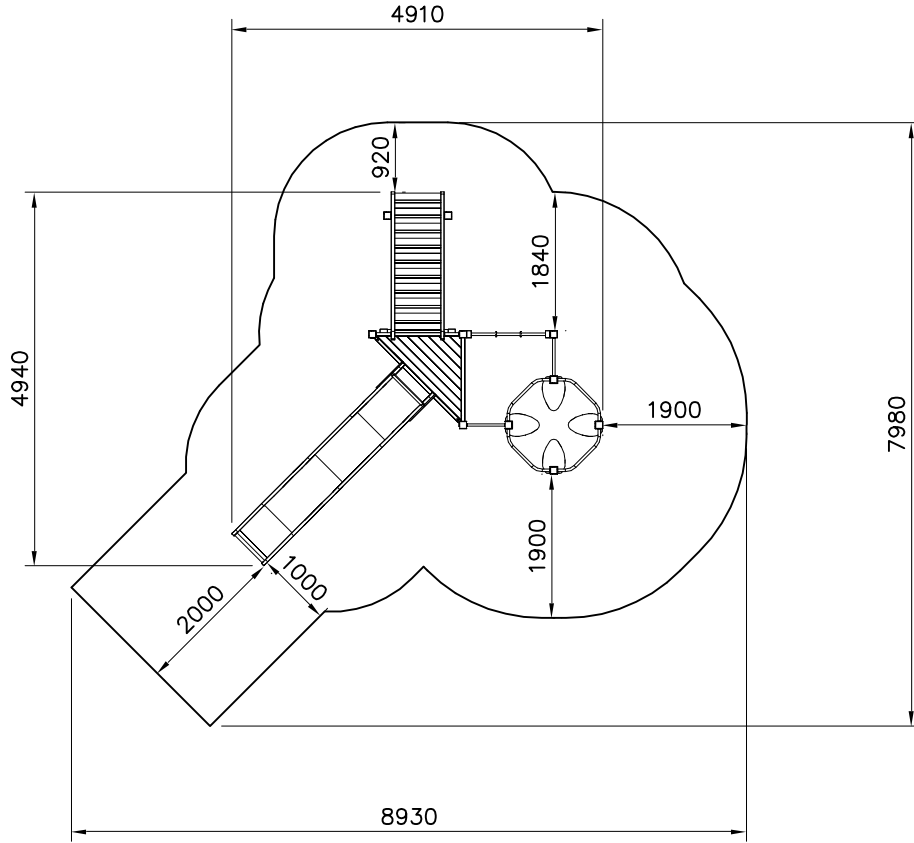
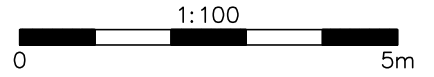


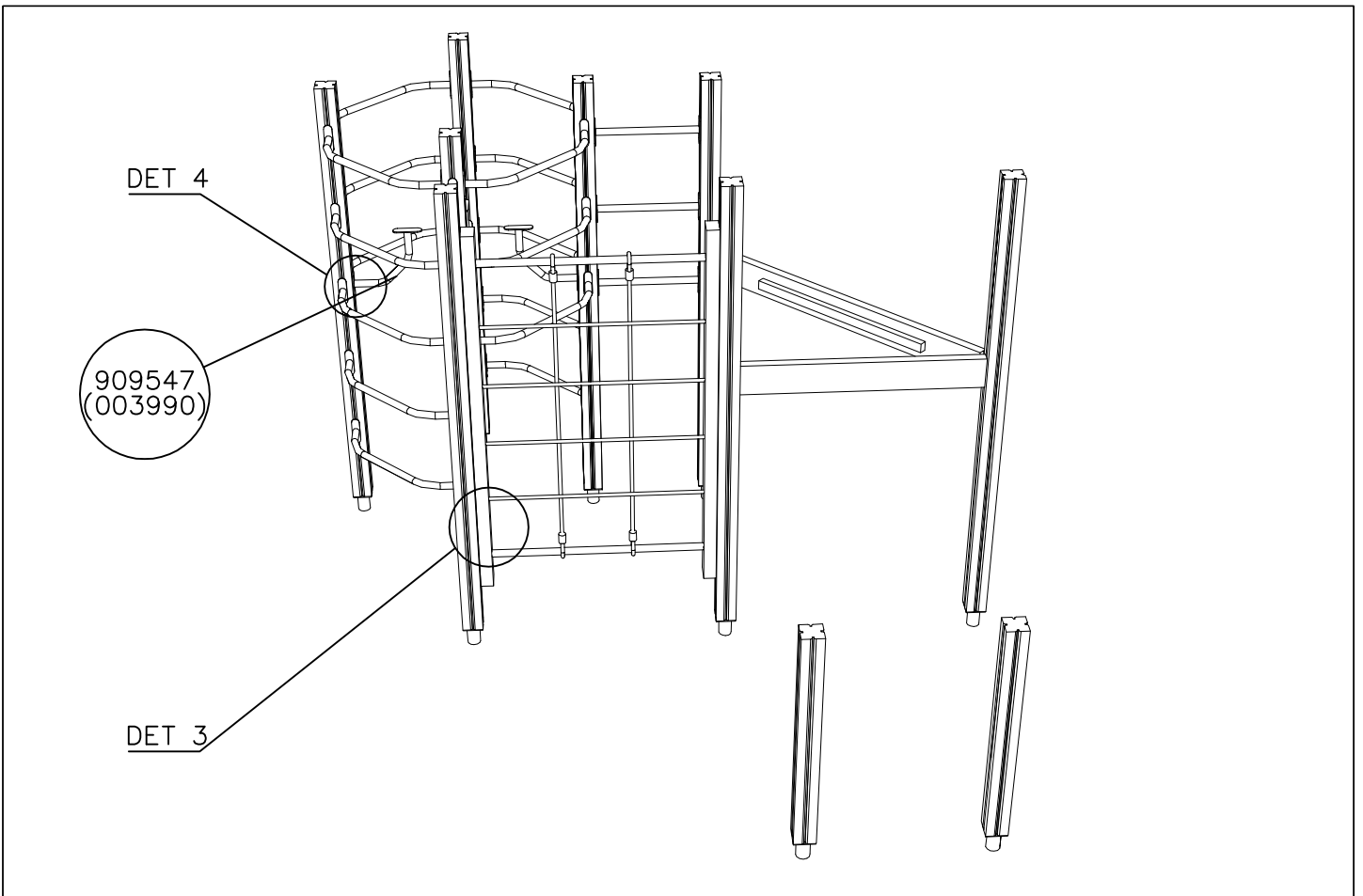
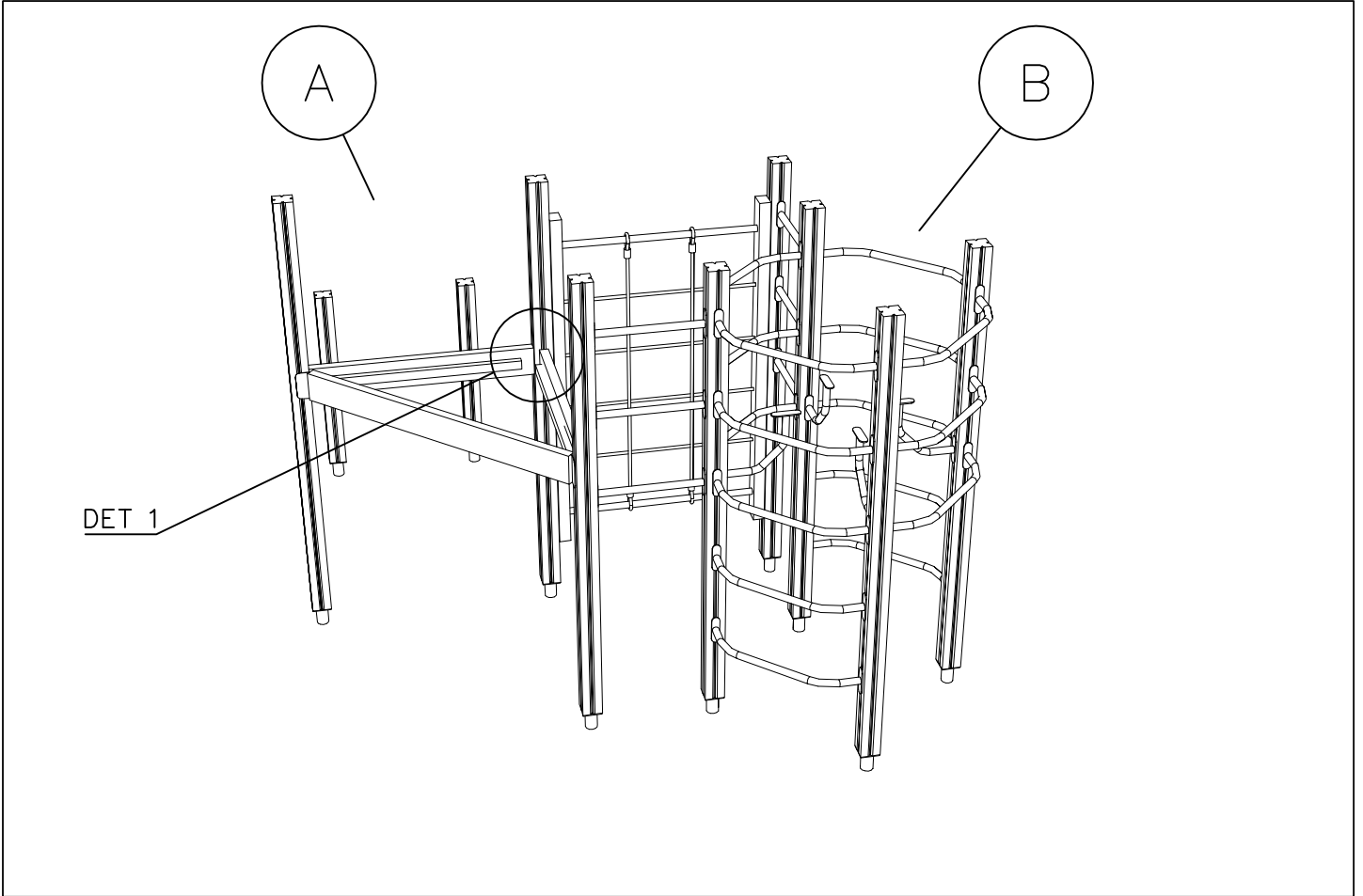
001849  PCS 1	003011  PCS 1	003614  PCS 1	003787  PCS 1 BLUE	003886  PCS 1	003990  PCS 4
005610  PCS 1	005692  PCS 2 L 1104	006810  PCS 2 L 1050	006822  PCS 8 L 2250	007841  PCS 1	900240  PCS 88 8x70
905051  PCS 8 Ø24/8.4	905104  PCS 40 M10	905120  PCS 20 Ø14	905138  PCS 10 GREY	905196  PCS 10 GREY	909224  PCS 4 12x100
909238  PCS 8 8x90	909521  PCS 10	909548  PCS 6 L 505	909893  PCS 16	980131  PCS 40 6x60	980154  PCS 4 Ø24/13

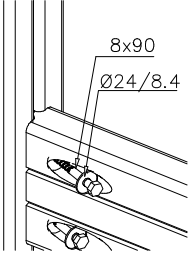
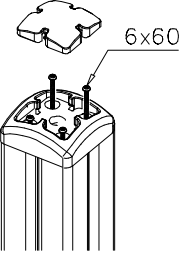
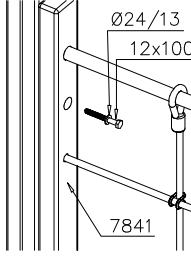
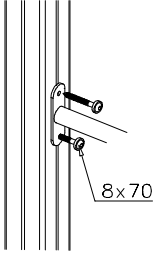


 <p>M10 905104 909521</p>	 <p>Sand 0.2–2 mm/ Gravel 2–8 mm</p> <p>100 300 600</p>	 <p>Sand 0.2–2 mm/ Gravel 2–8 mm</p> <p>300 400</p>

EN Impact Area 41.3 m²





<p>DET 1</p> 	<p>DET 2</p> 	<p>DET 3</p> 	<p>DET 4</p> 
<p>DET 5</p> 