

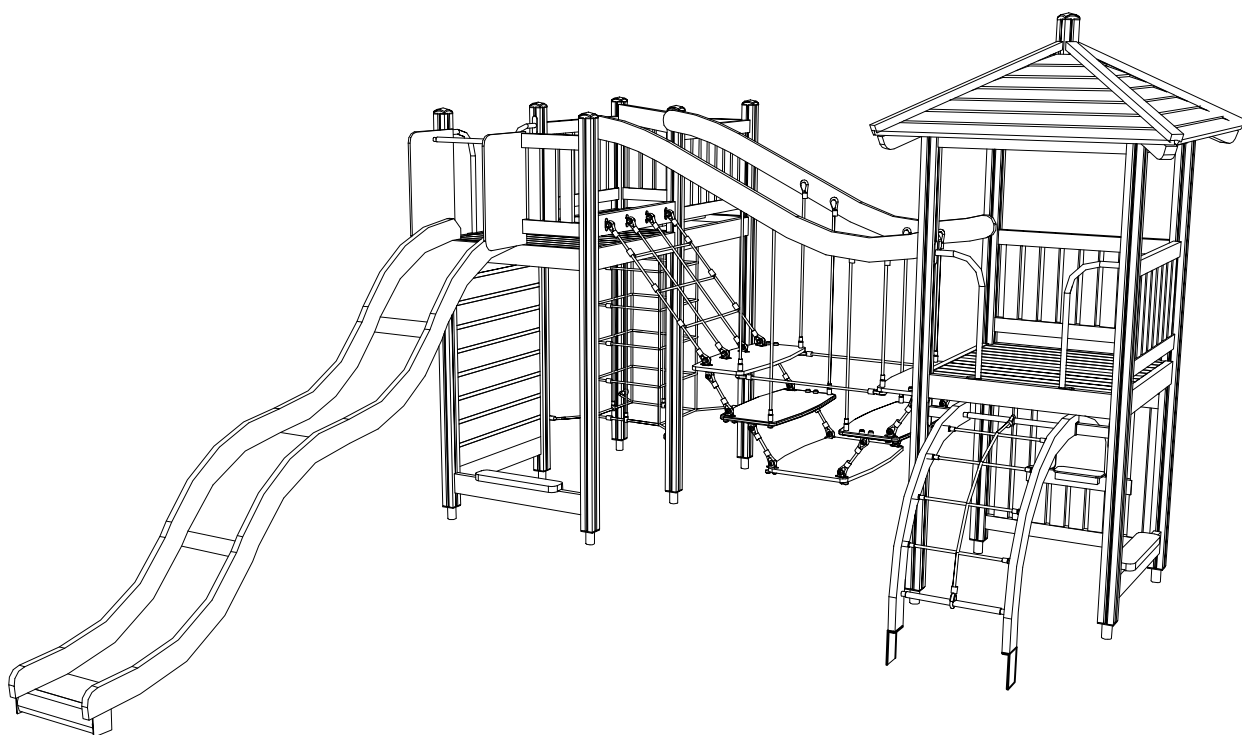
LAPPSET®

FINNO

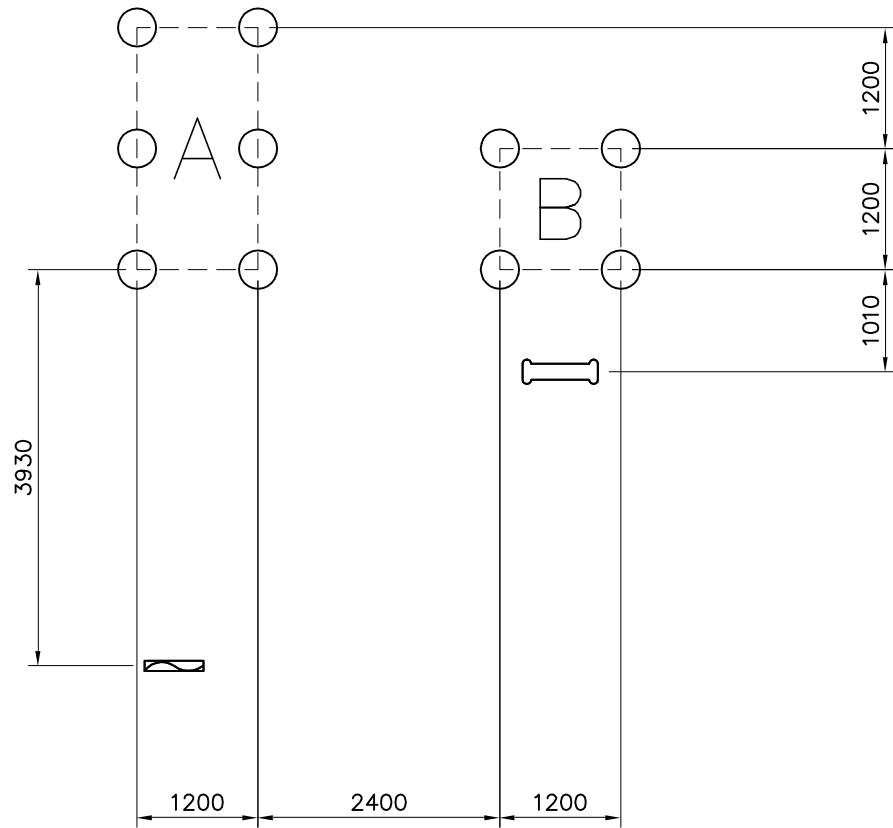
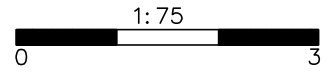
ASENNUSOHJE
MONTERINGSANSVISNING
INSTALLATION INSTRUCTION
AUFBAUANLEITUNG
NOTICE D'INSTALLATION

REF: 120132
DATE: 1.4.2005

120132

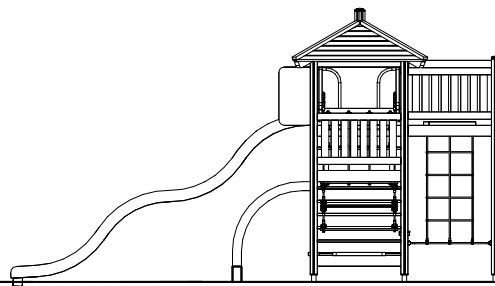
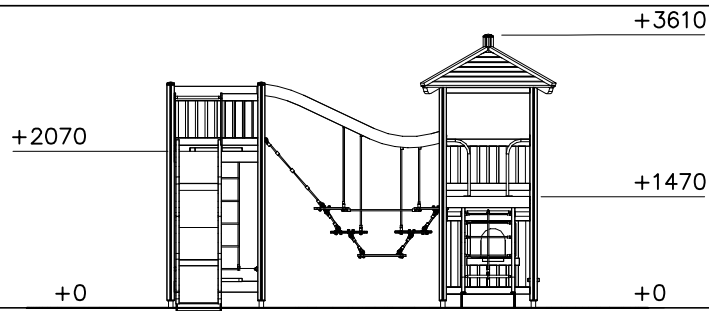
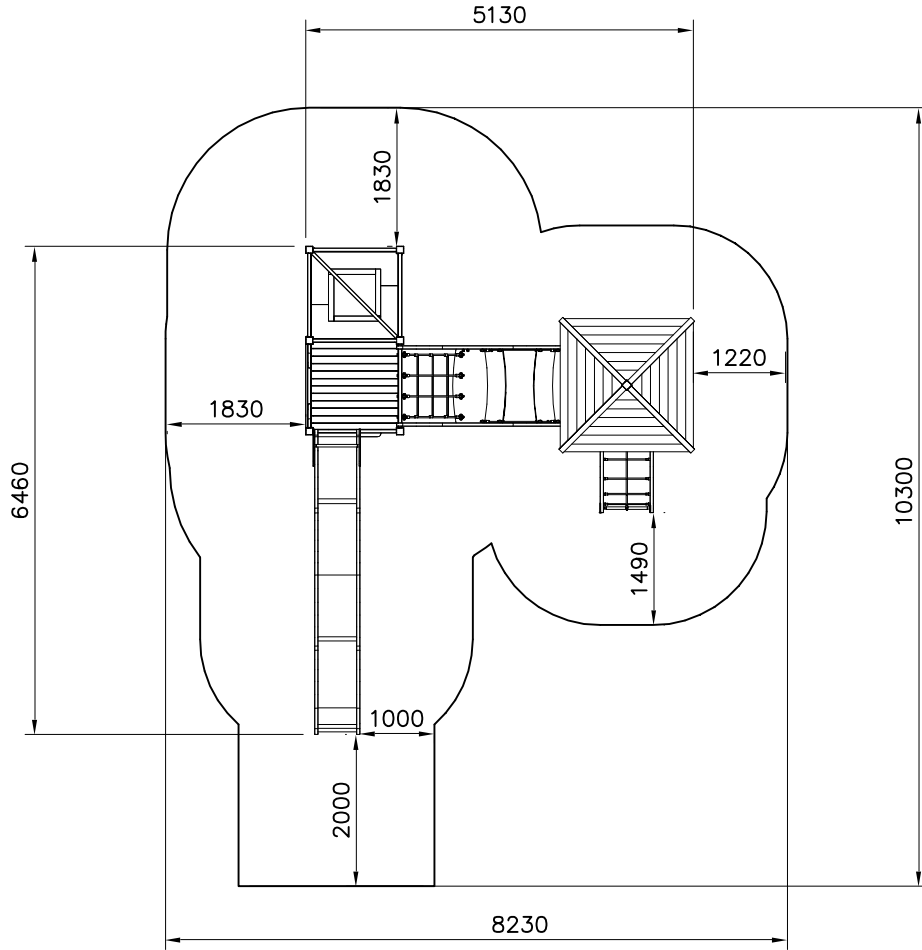
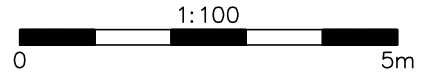


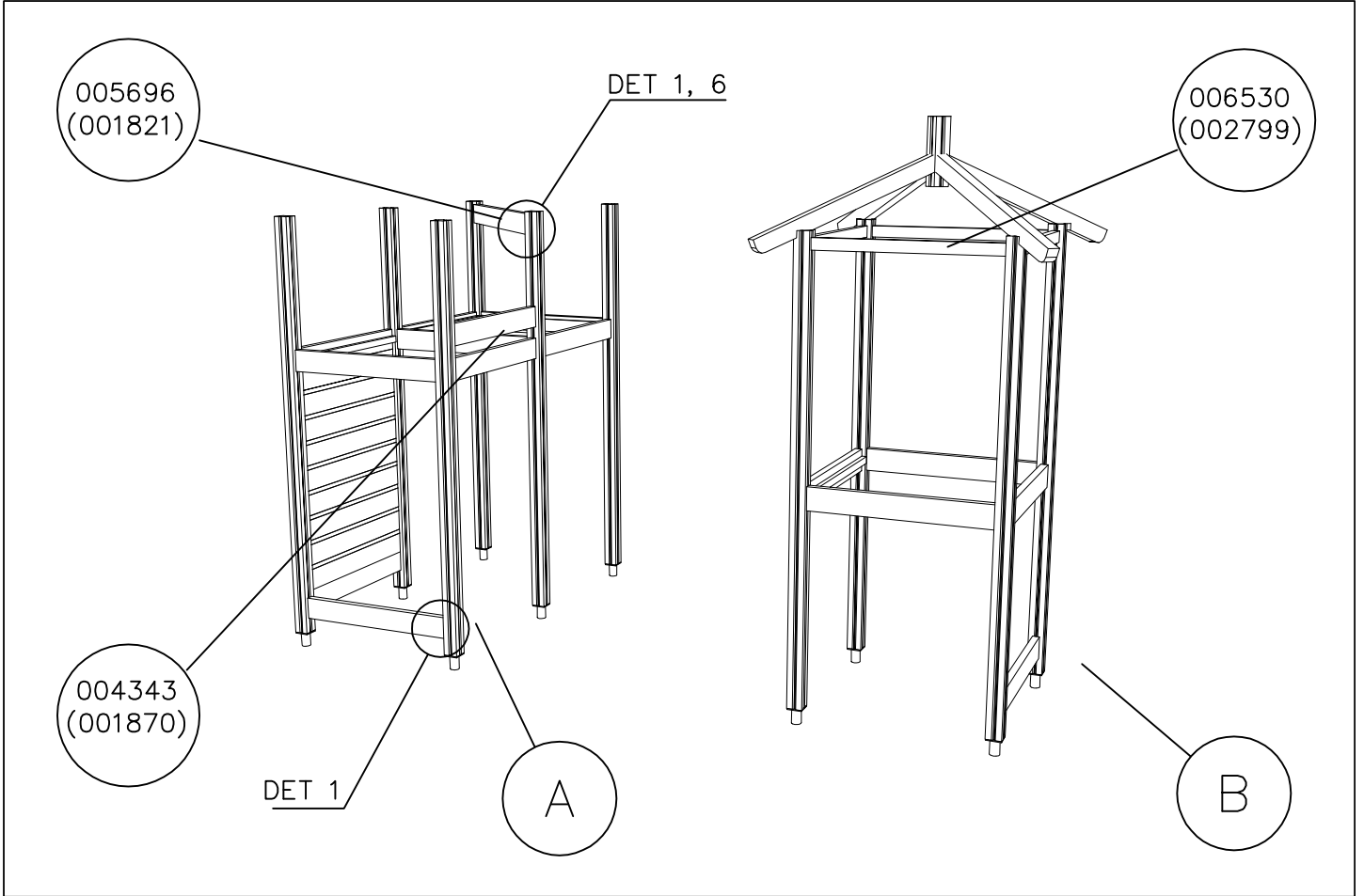
001770 PCS 2	001821 PCS 1	001870 PCS 1	002799 PCS 1	003010 PCS 1	003120 PCS 1
003613 PCS 1	003700 PCS 1	003787 PCS 5 BLUE	005273 PCS 1	005285 PCS 1	005607 PCS 8 L 1104
005692 PCS 7 L 1104	006828 PCS 10 L 2850	007333 PCS 2	008902 PCS 1	900240 PCS 12 8x70	905051 PCS 60 Ø24/8.4
905104 PCS 40 M10	905120 PCS 24 Ø14	905138 PCS 6 GREY	905196 PCS 6 GREY	909238 PCS 60 8x90	909521 PCS 10
909540 PCS 4	980131 PCS 24 6x60				



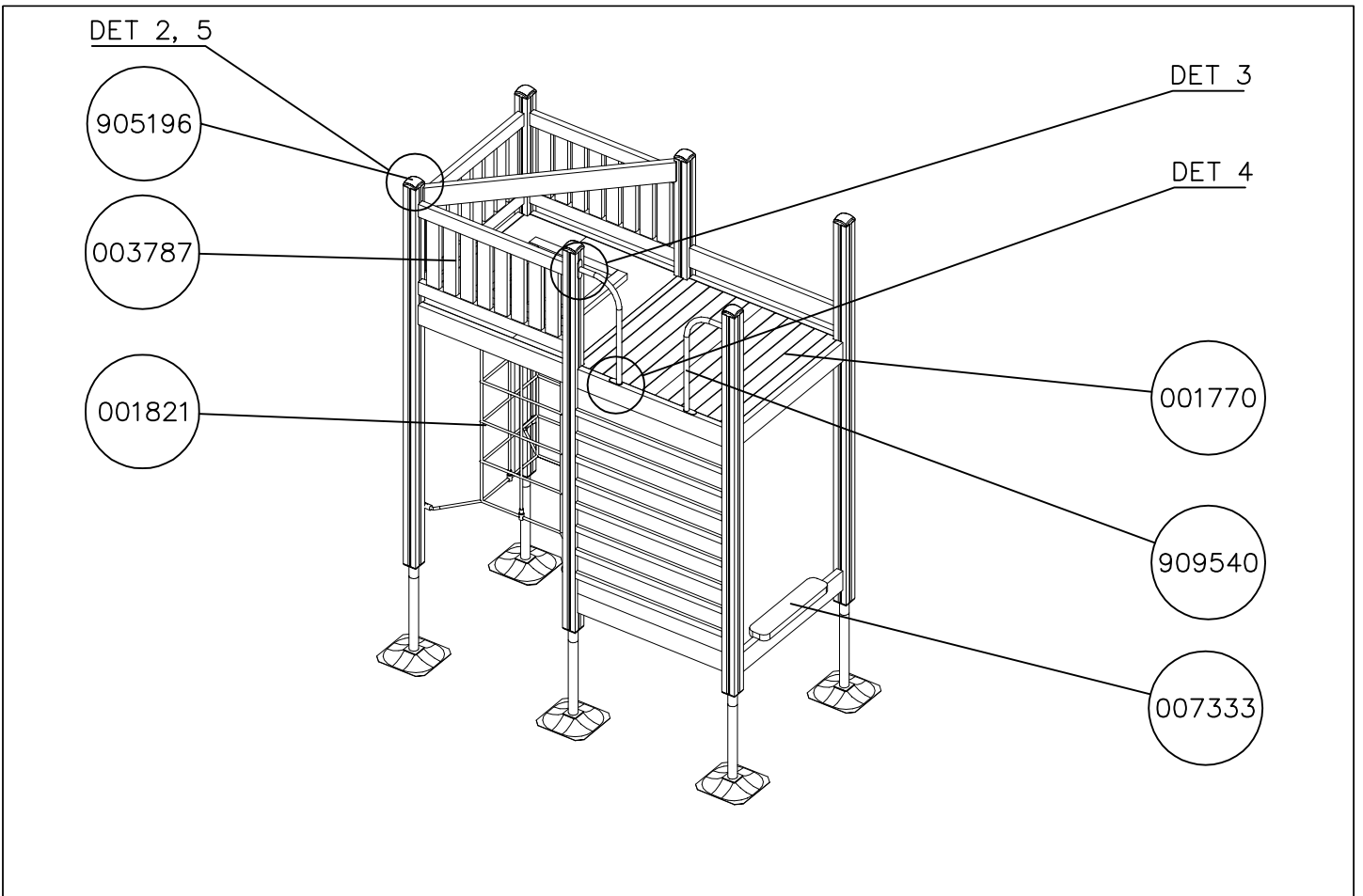
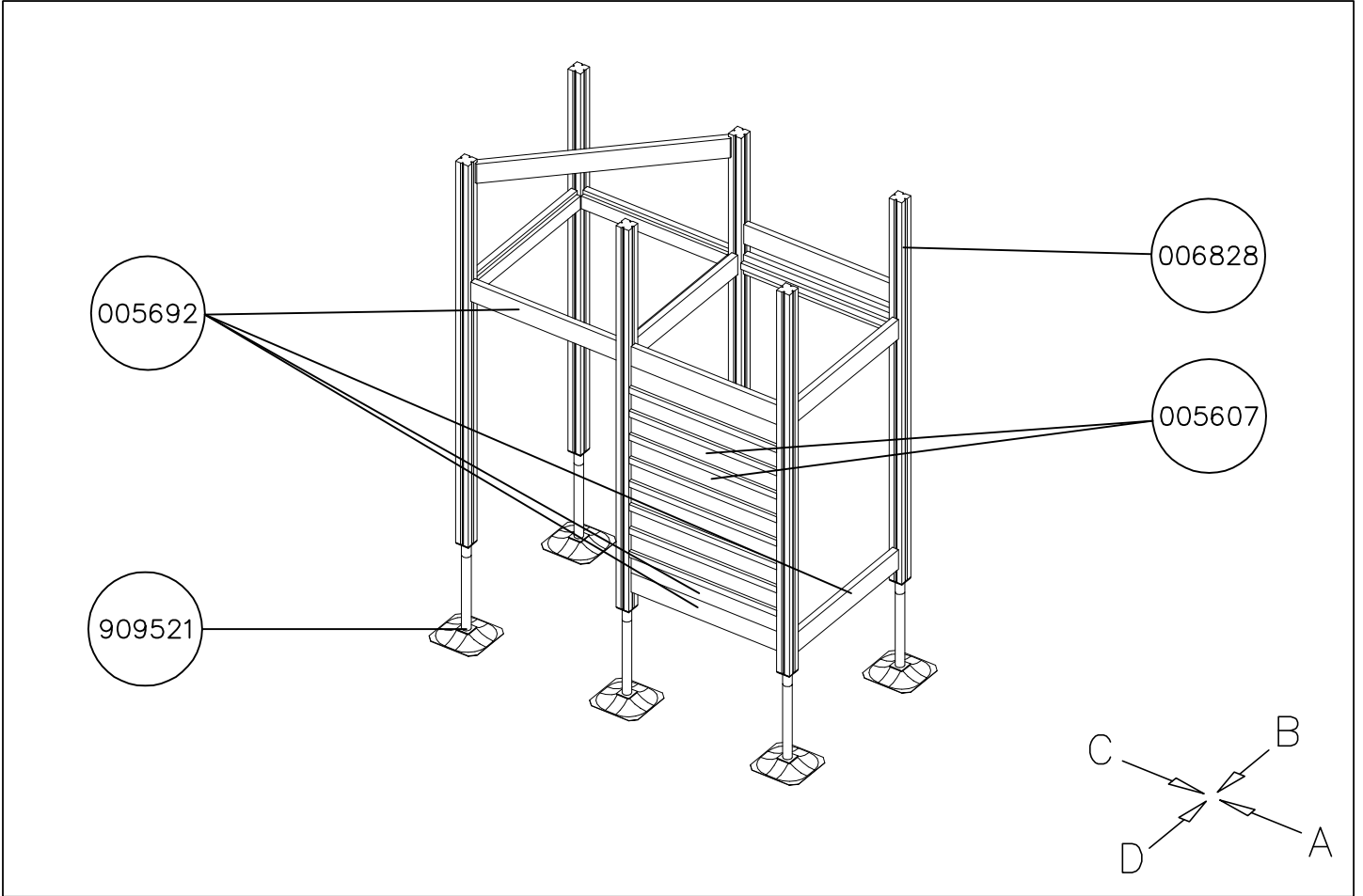
<p>M10 905104 909521</p>	<p>Sand 0.2-2 mm/ Gravel 2-8 mm 100 300 600</p>	<p>Sand 0.2-2 mm/ Gravel 2-8 mm 300 400</p>	<p>905104 909822</p>
<p>Sand 0.2-2 mm/ Gravel 2-8 mm 210 300 400</p>			

EN Impact Area 56.8 m²



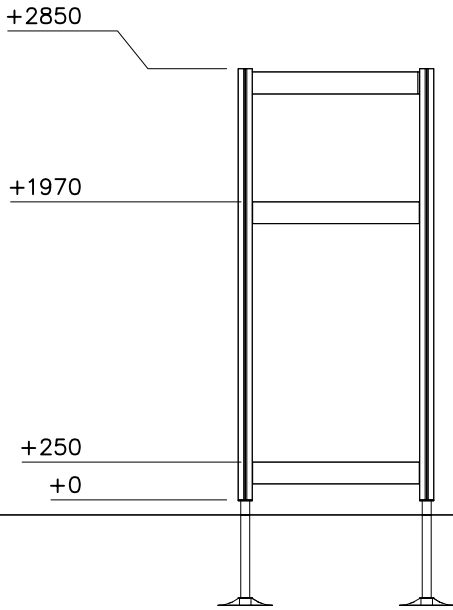


<p>DET 1</p>	<p>DET 2</p>	<p>DET 3</p>	<p>DET 4</p>
<p>DET 5</p>	<p>DET 6</p>		

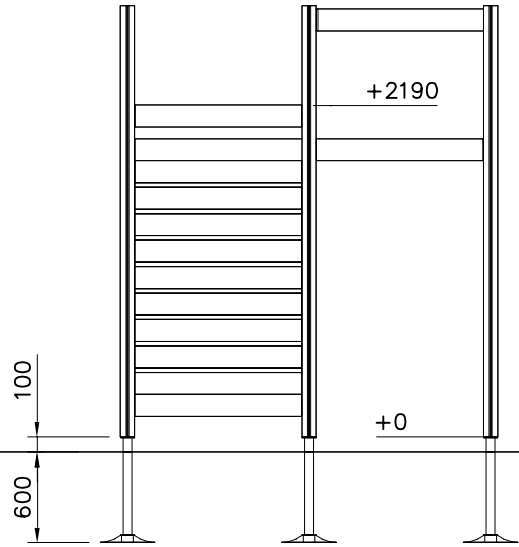


1:50

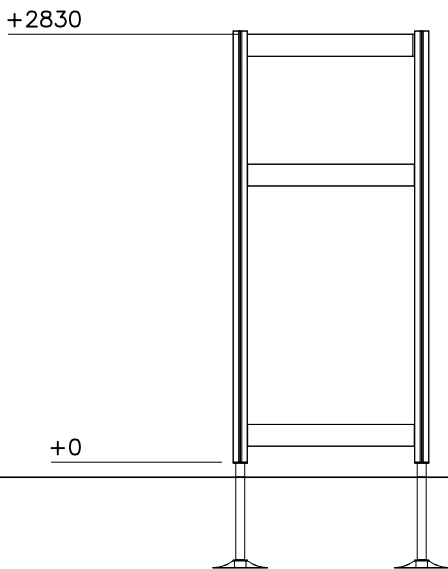
(A)



(B)



(C)



(D)

