

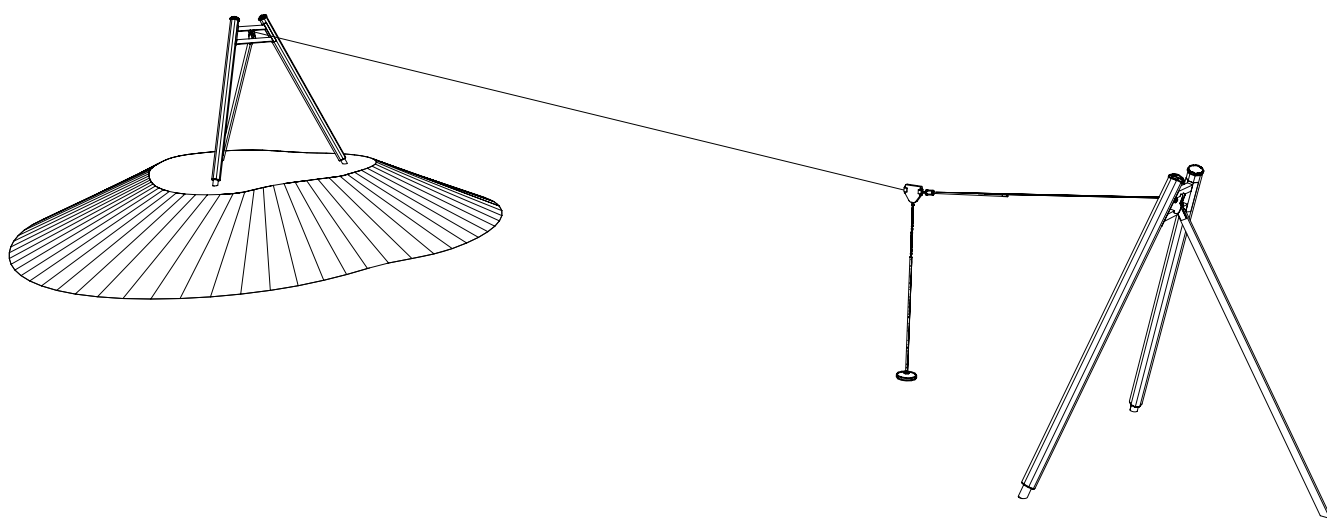
# LAPPSET®

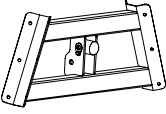

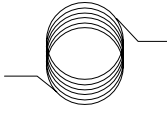



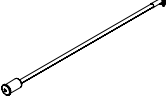
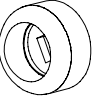
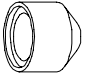
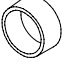
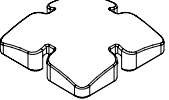
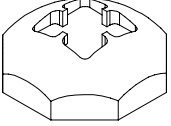
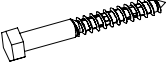
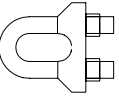
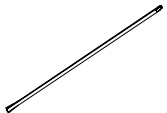
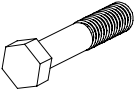
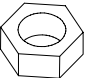
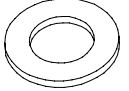

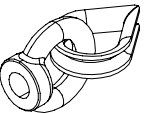
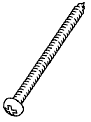

## FINNO

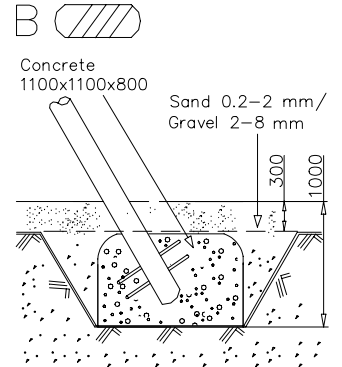
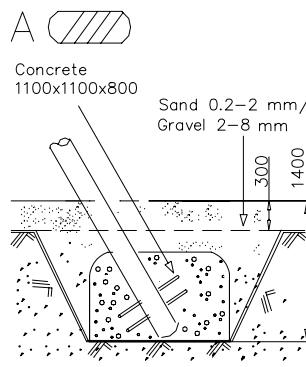
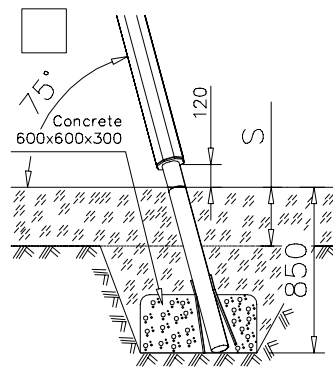
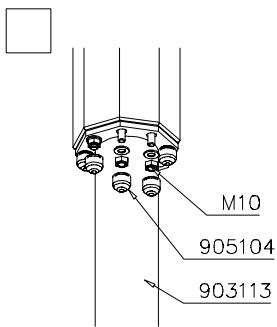
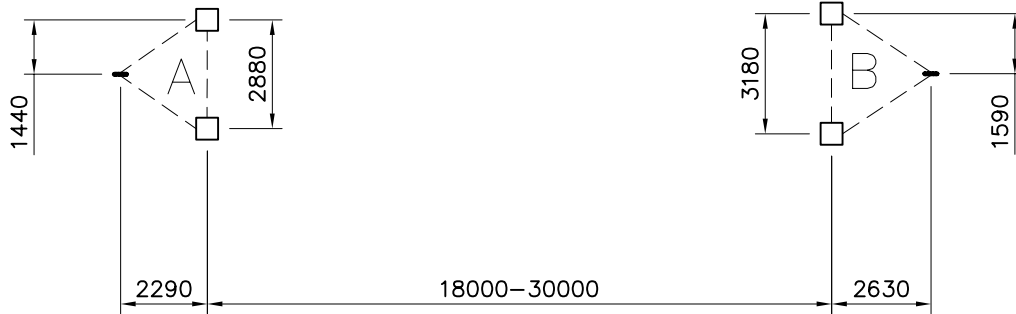
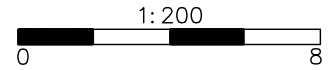
ASENNUSOHJE  
MONTERINGSANSVISNING  
INSTALLATION INSTRUCTION  
AUFBAUANLEITUNG  
NOTICE D'INSTALLATION

REF: 120238  
DATE: 3.9.2007

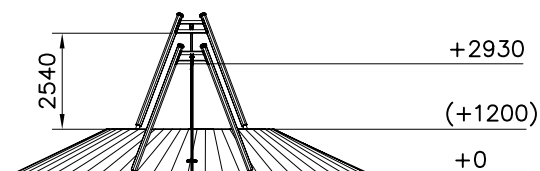
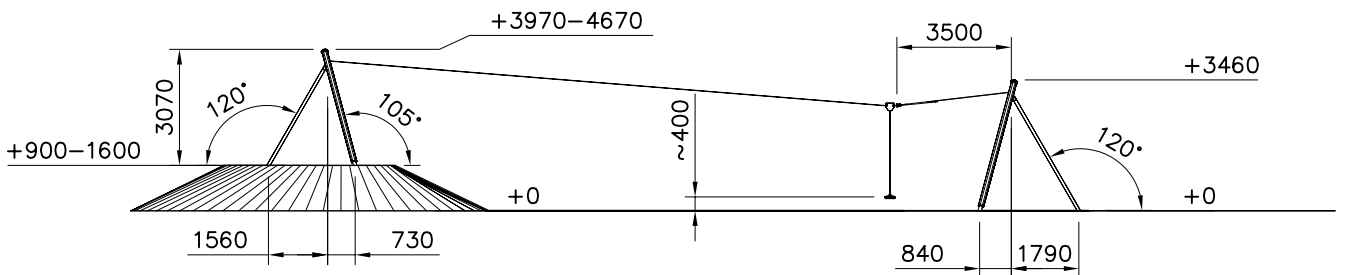
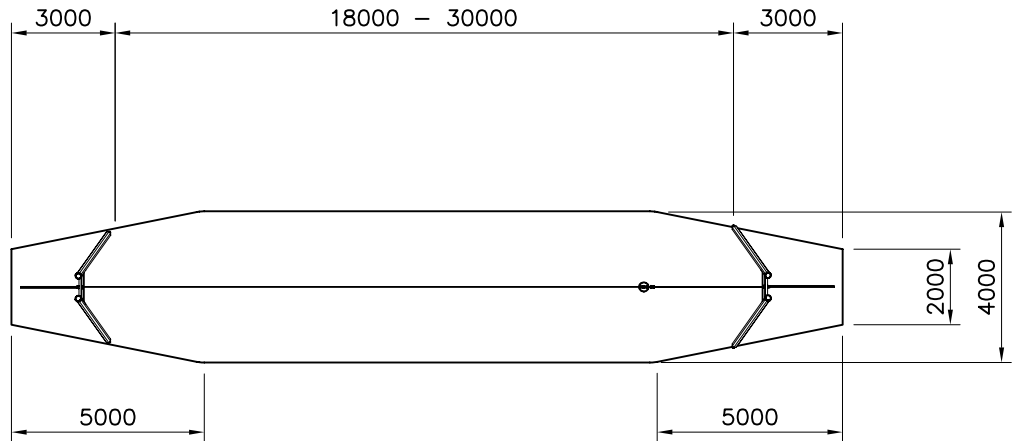
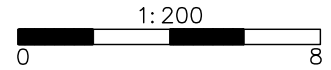
## 120238

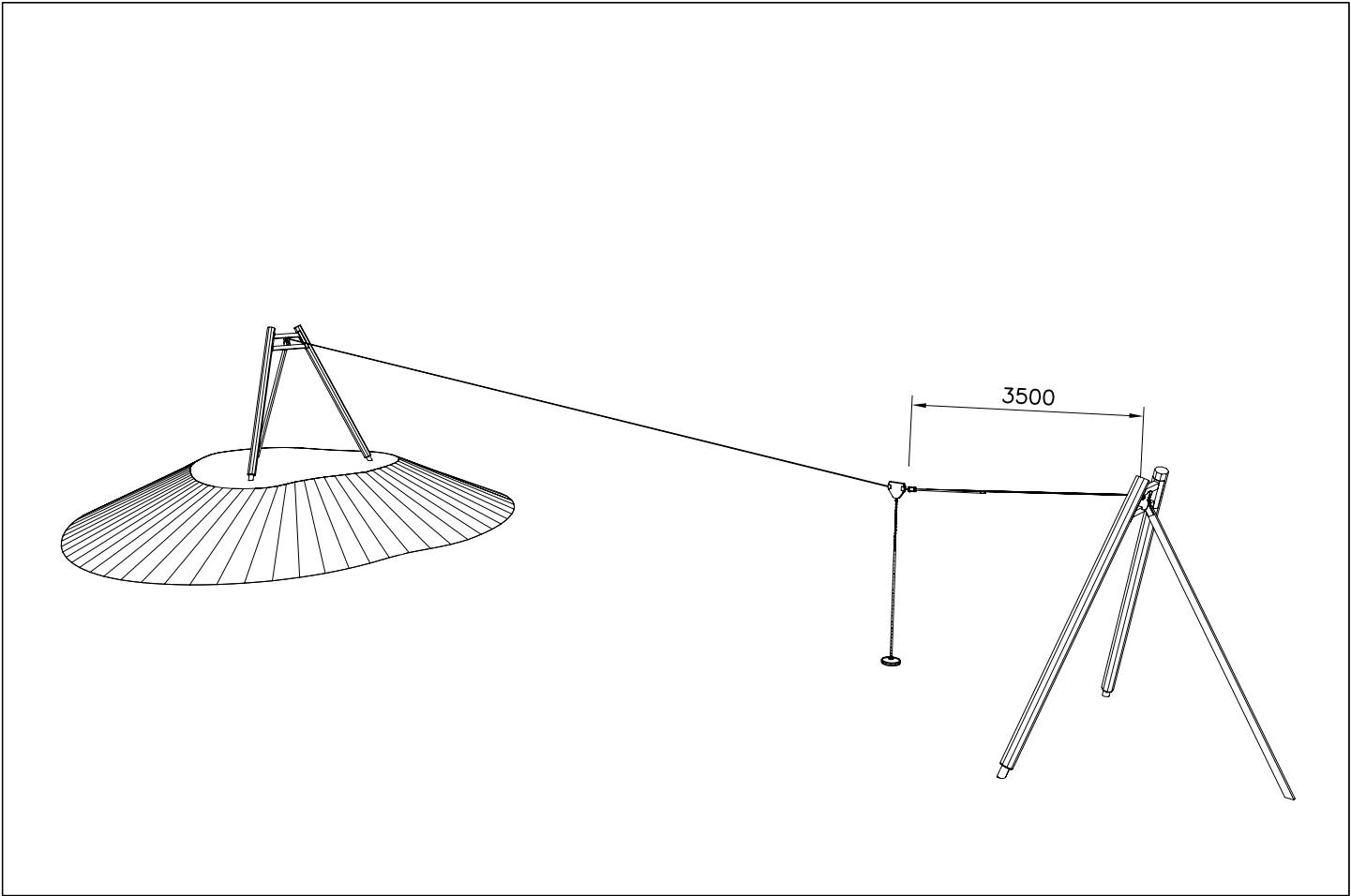


003100  2 PCS	003104  1 PCS	005050  35m 1 PCS	009383  L 3200 2 PCS	009384  L 3600 2 PCS	903113  L 1050 4 PCS
905081  1 PCS	905090  Ø45 24 PCS	905104  M10 32 PCS	905115  Ø30 24 PCS	905139  BLACK 4 PCS	905197  BLACK 4 PCS
909228  12x80 24 PCS	909319  10 mm 10 PCS	909664  L 4730 2 PCS	909857  M20x100 2 PCS	909858  M20 8 PCS	909859  Ø37/21 6 PCS
909860  M20x500 2 PCS	005051  M20 2 PCS	980131  6x60 16 PCS	980154  Ø24/13 24 PCS		

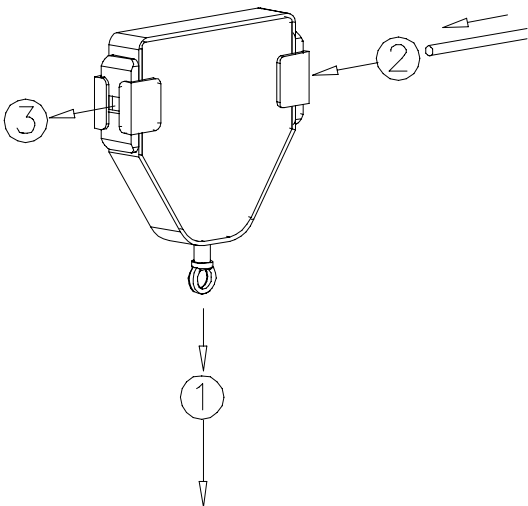


EN Impact Area 78–130 m<sup>2</sup>  
 MAX FALLING HEIGHT 1000 mm

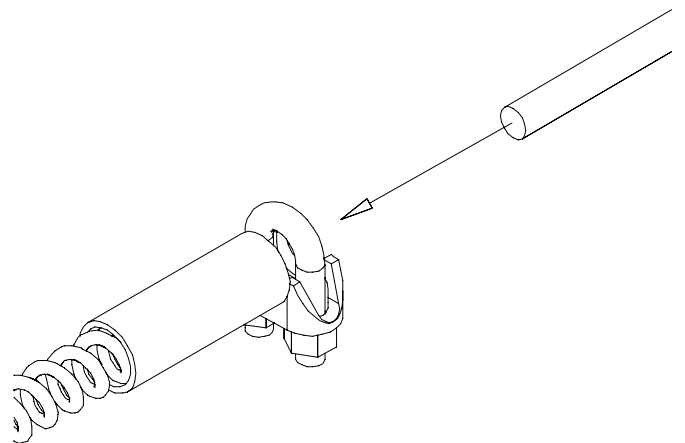




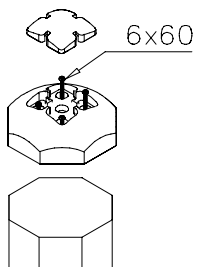
DET 1



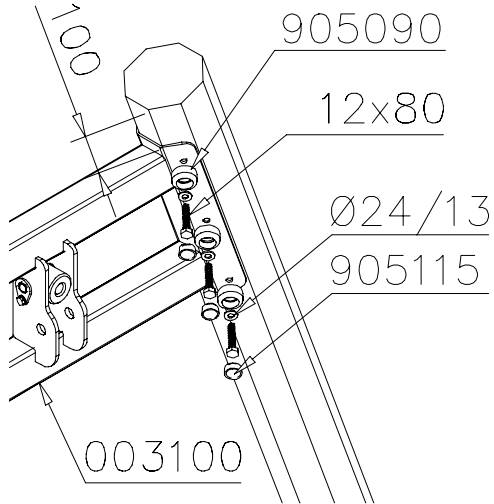
DET 2



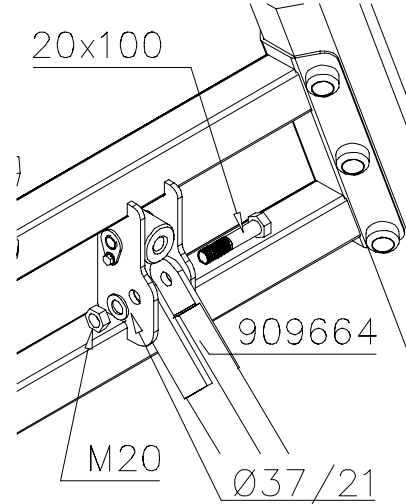
DET 3



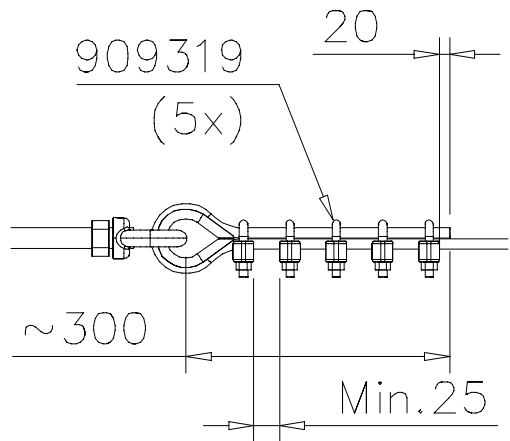
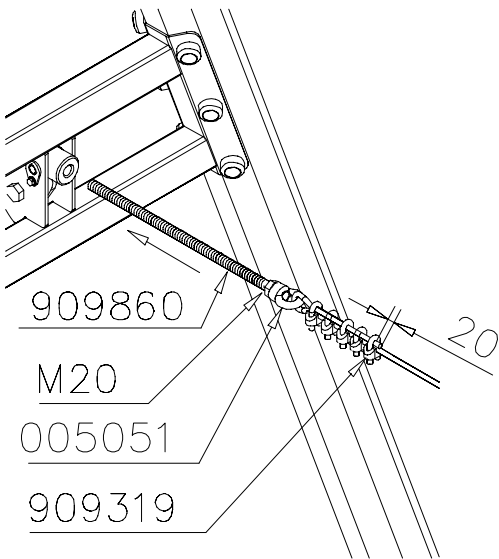
DET 4



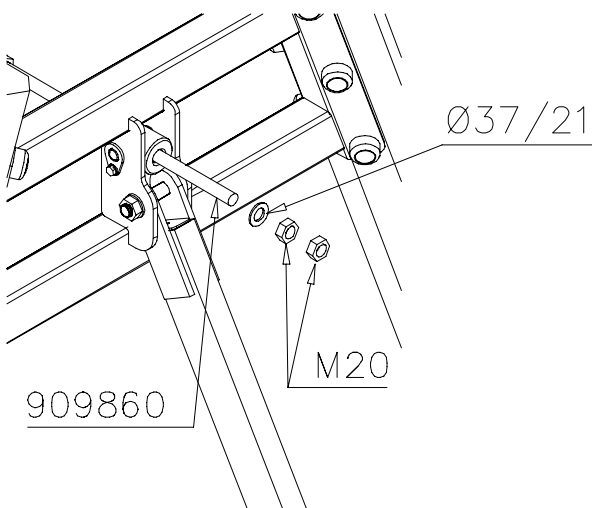
DET 5



DET 6



DET 7



DET 8

