

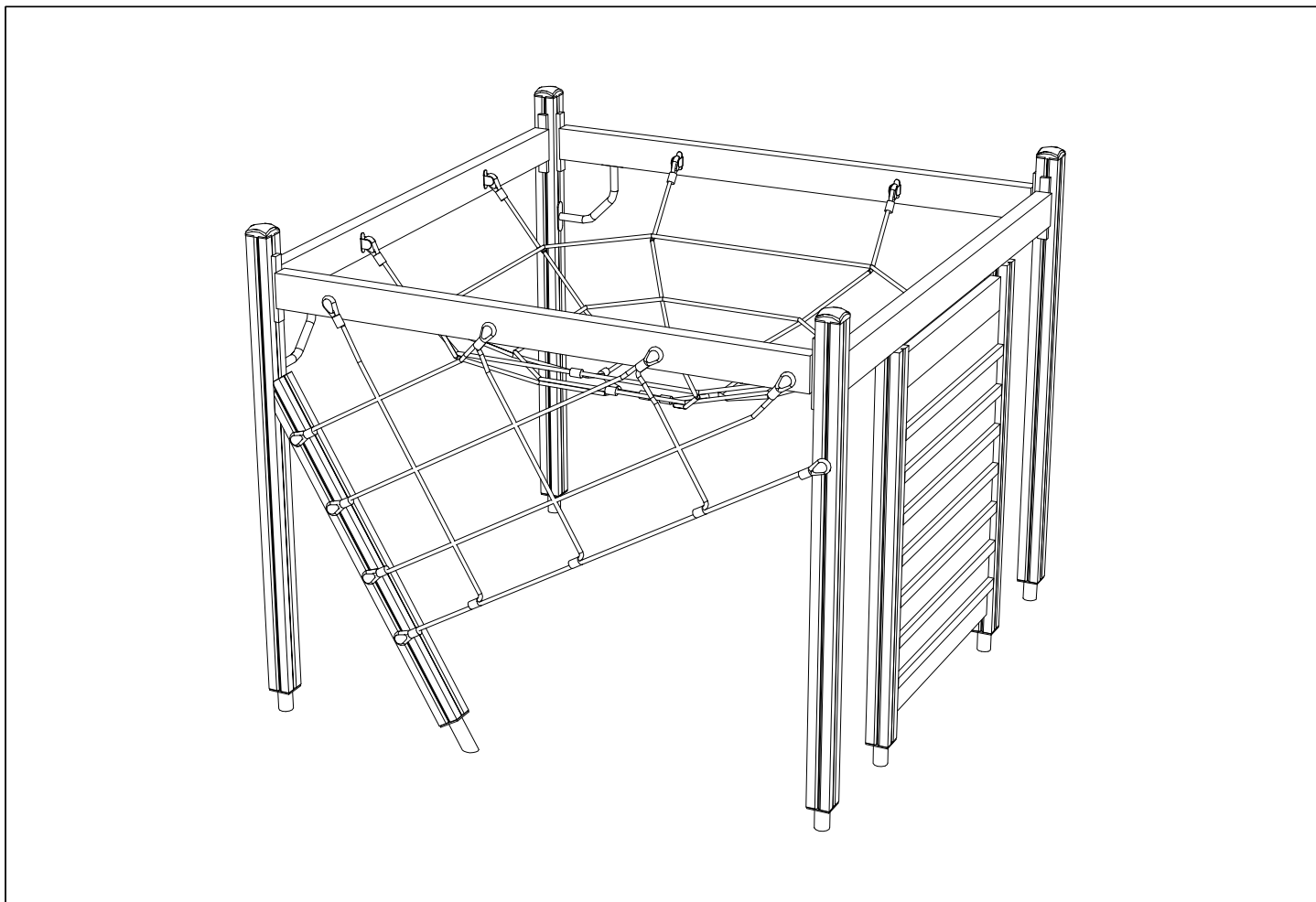
LAPPSET®

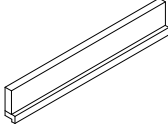
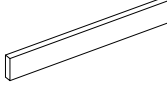






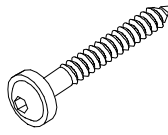

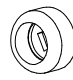


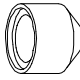


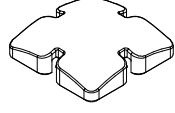
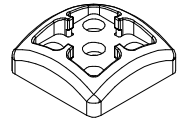
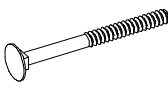
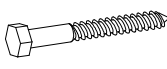


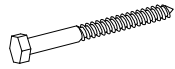
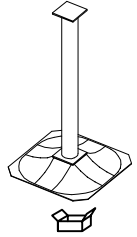
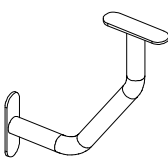
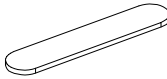
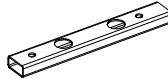

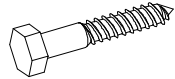
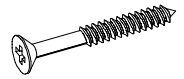




FINNO

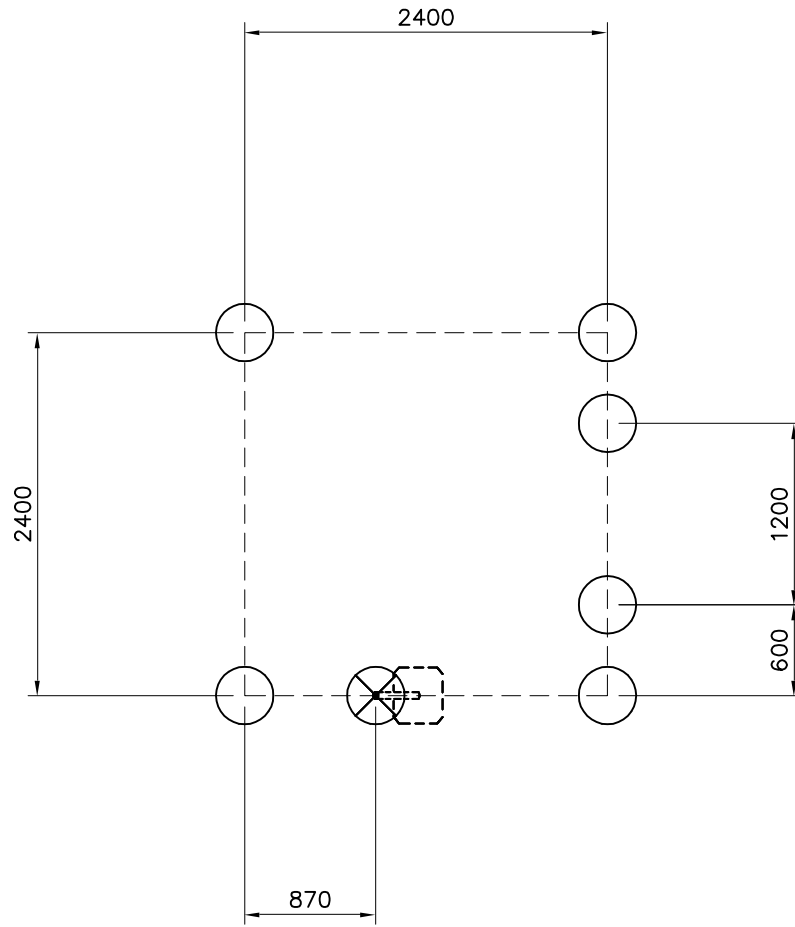
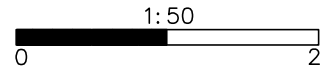
ASENNUSOHJE
MONTERINGSANSVISNING
INSTALLATION INSTRUCTION
AUFBAUANLEITUNG
NOTICE D'INSTALLATION

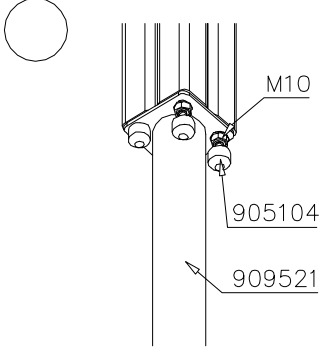
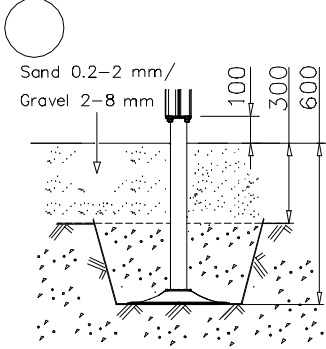
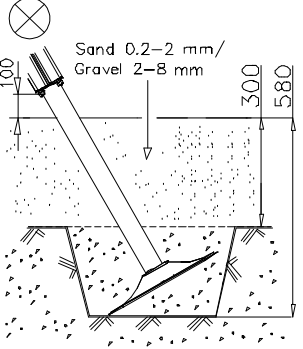
REF: 120254
DATE: 1.4.2005

120254



005607  L 1104	PCS 7	005692  L 1104	PCS 2	006800  L 1530	PCS 1	006816  L 1650	PCS 2	006819  L 1950	PCS 4	006932  L 2260	PCS 4
006942 	PCS 1	006943  2400x2400	PCS 1	900240  8x70	PCS 12	905051  Ø24/8.5	PCS 38	905083  Ø32	PCS 15	905102  SR-H-2040	PCS 16
905103  PT-28/32-H	PCS 16	905104  M10	PCS 28	905112  Ø22	PCS 24	905120  Ø14	PCS 12	905138  GREY	PCS 4	905196  GREY	PCS 4
909126  8x90	PCS 17	909217  8x70	PCS 6	909231  8x130	PCS 1	909233  8x100	PCS 1	909238  8x90	PCS 36	909521  7	PCS 7
909547 	PCS 2	909574  6x40x200	PCS 2	909578  8x130	PCS 8	909638  Ø20/10.5	PCS 16	909862  10x60	PCS 16	980100  5x60	PCS 8
980131  6x60	PCS 16	980150  M8	PCS 18	980151  Ø16/8.4	PCS 24	909125  8x100	PCS 1		PCS		PCS
	PCS		PCS		PCS		PCS		PCS		PCS



 <p>M10 905104 909521</p>	 <p>Sand 0.2–2 mm/ Gravel 2–8 mm</p> <p>100 300 600</p>	 <p>Sand 0.2–2 mm/ Gravel 2–8 mm</p> <p>100 300 580</p>

EN Impact Area 33 m2

