

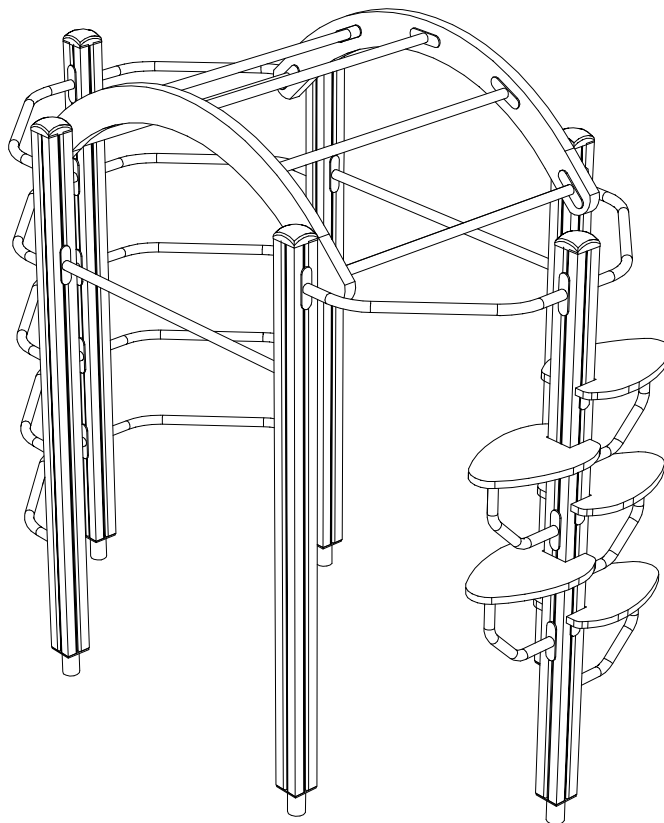
LAPPSET®

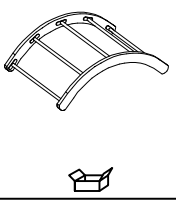
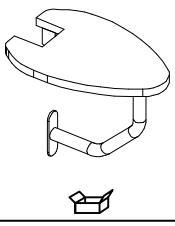

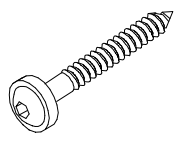
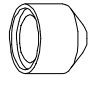
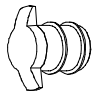
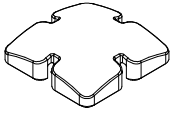
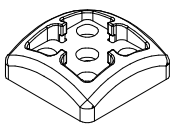
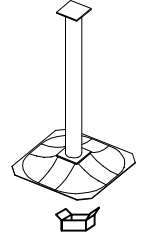
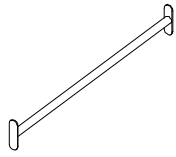
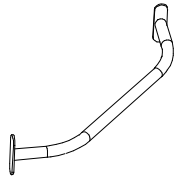

FINNO

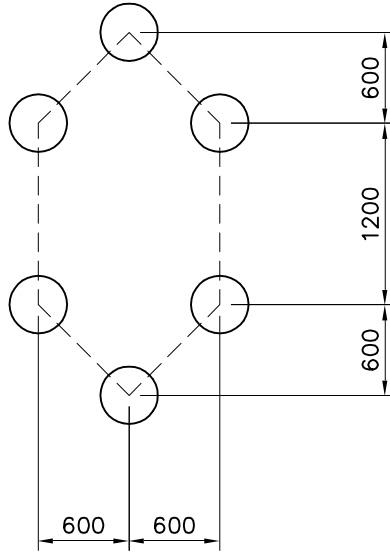
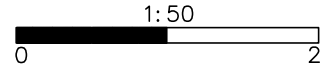
ASENNUSOHJE
MONTERINGSANSVISNING
INSTALLATION INSTRUCTION
AUFBAUANLEITUNG
NOTICE D'INSTALLATION

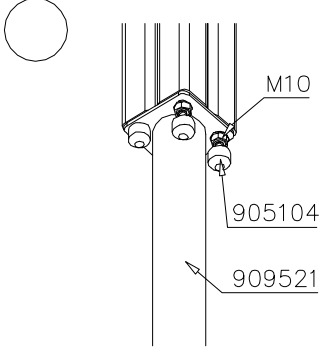
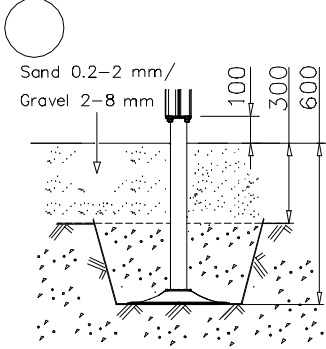
REF: 120262
DATE: 1.4.2005

120262

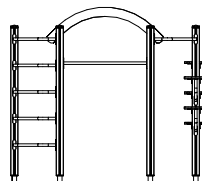
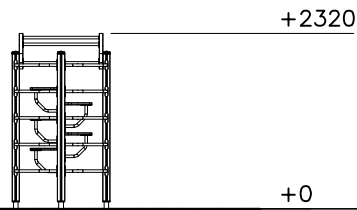
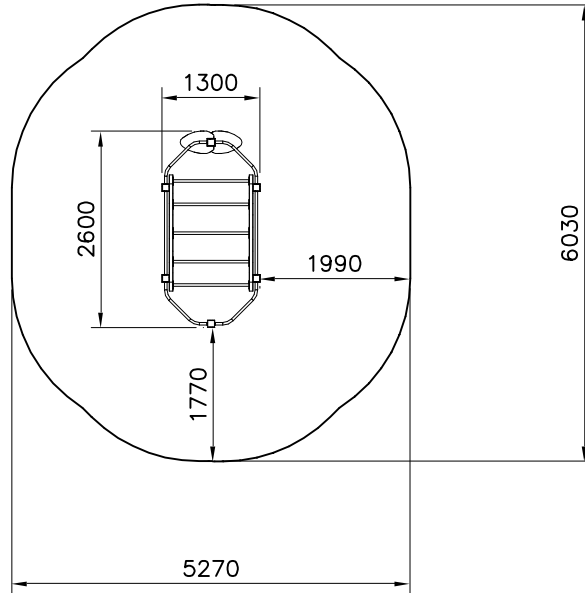
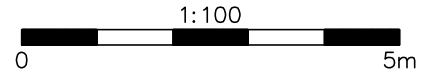


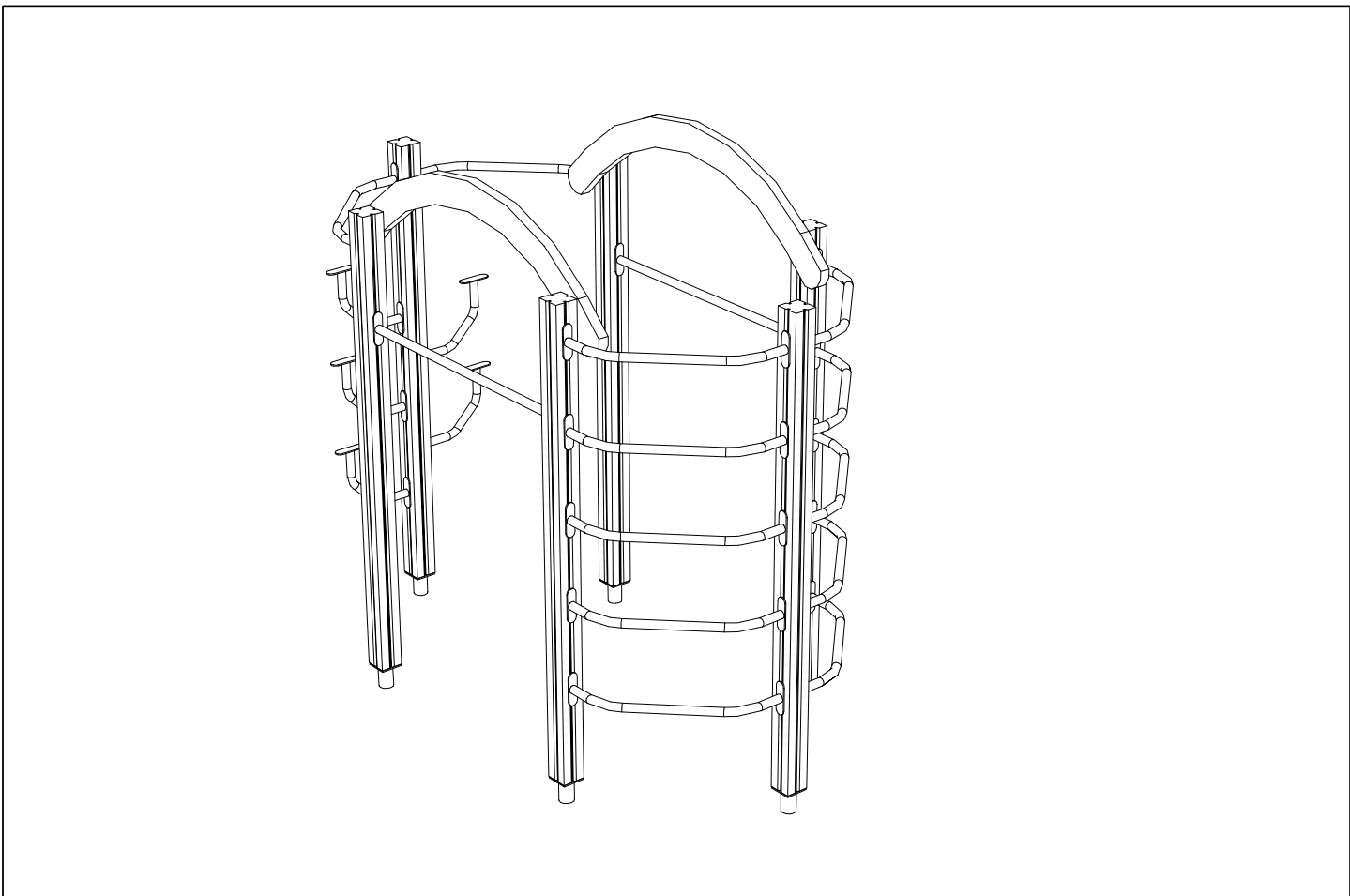
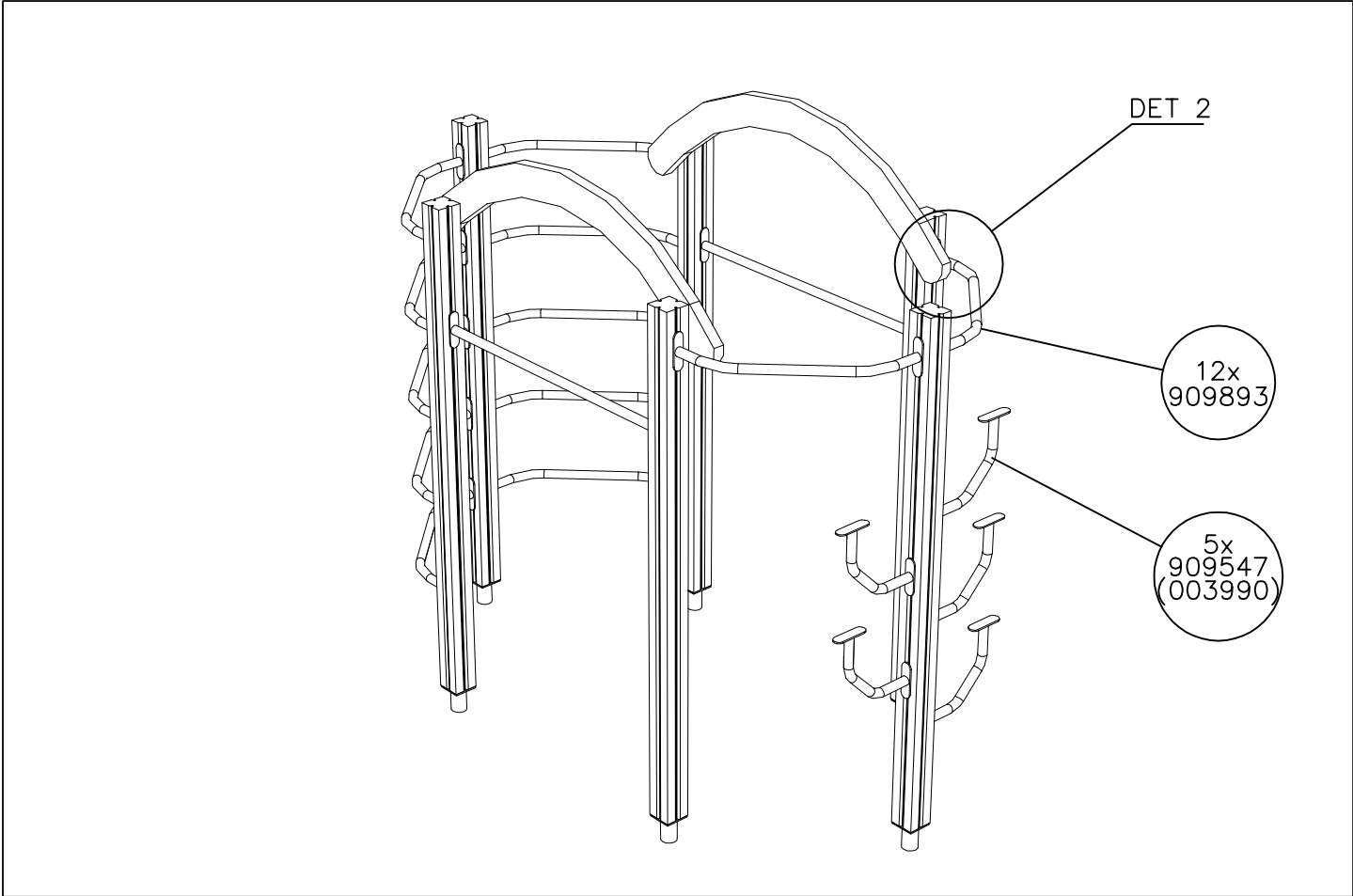
003832	PCS 1	003990	PCS 5	006819	PCS 6	900240	PCS 56	905104	PCS 24	905120	PCS 12
											
				L 1950		8x70		M10		Ø14	
905138	PCS 6	905196	PCS 6	909521	PCS 6	909542	PCS 2	909893	PCS 12	980131	PCS 24
											
GREY		GREY				L 1104				6x60	
	PCS		PCS		PCS		PCS		PCS		PCS
	PCS		PCS		PCS		PCS		PCS		PCS
	PCS		PCS		PCS		PCS		PCS		PCS
	PCS		PCS		PCS		PCS		PCS		PCS

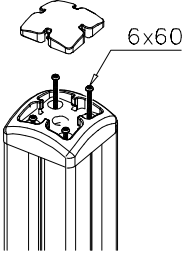
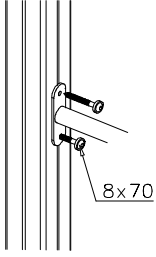


 <p>M10 905104 909521</p>	 <p>Sand 0.2-2 mm/ Gravel 2-8 mm</p> <p>100 300 600</p>	

EN Impact Area 25.9 m²





DET 1 	DET 2 	DET 3 