

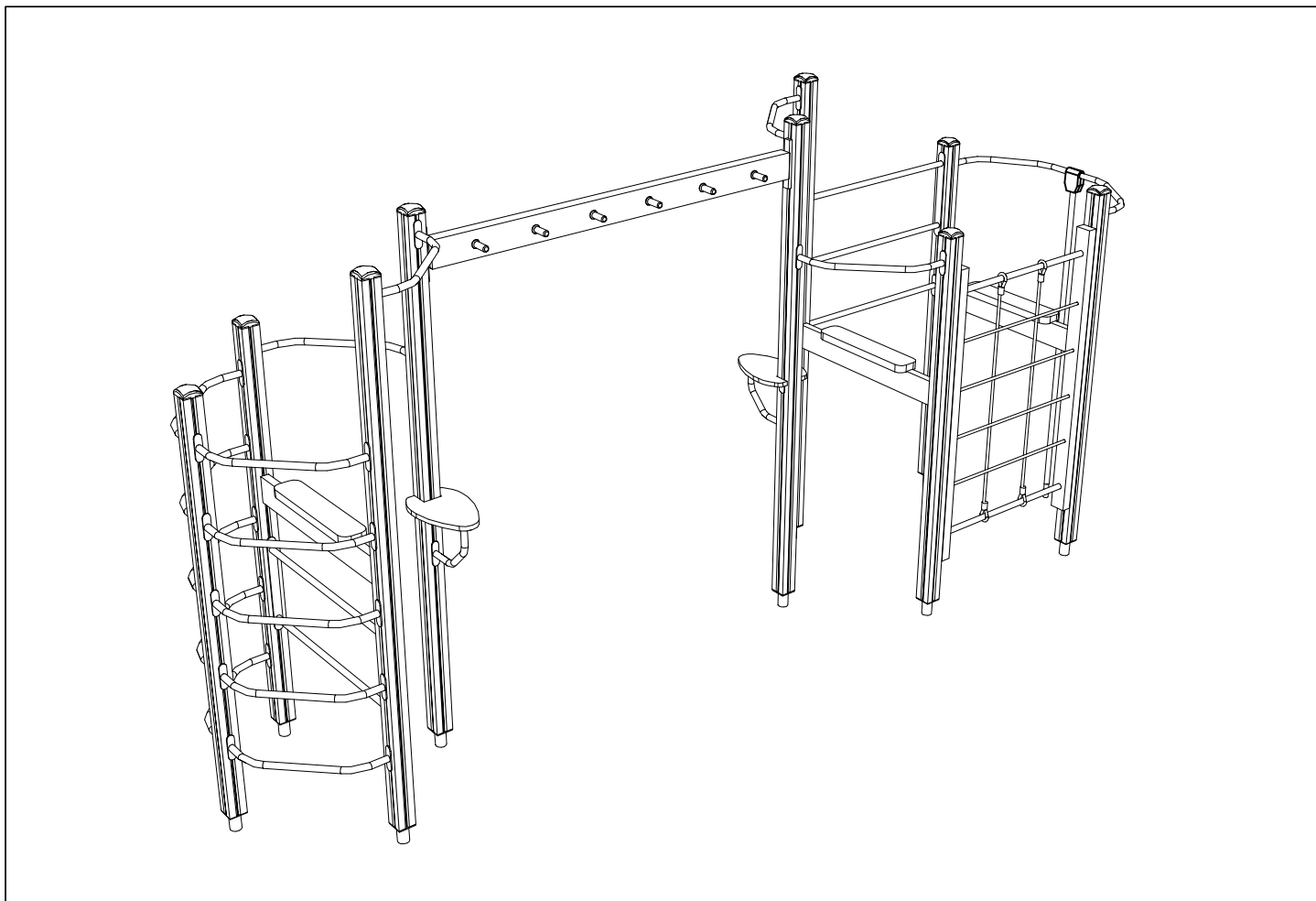
# **LAPPSET®**

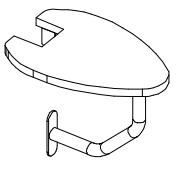
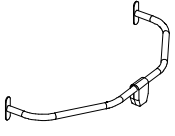
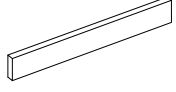


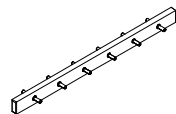
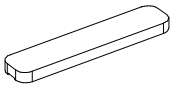
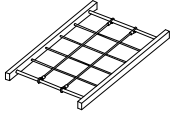
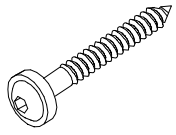



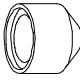
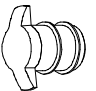
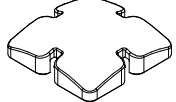
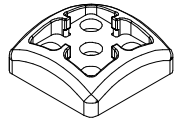

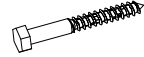
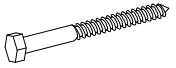
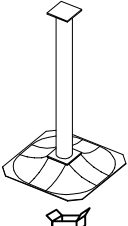
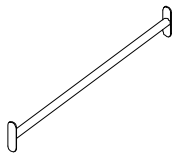
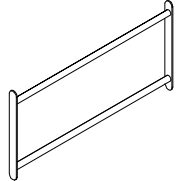
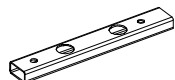

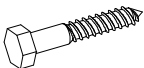
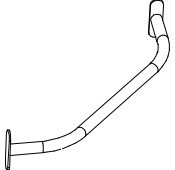


## **FINNO**

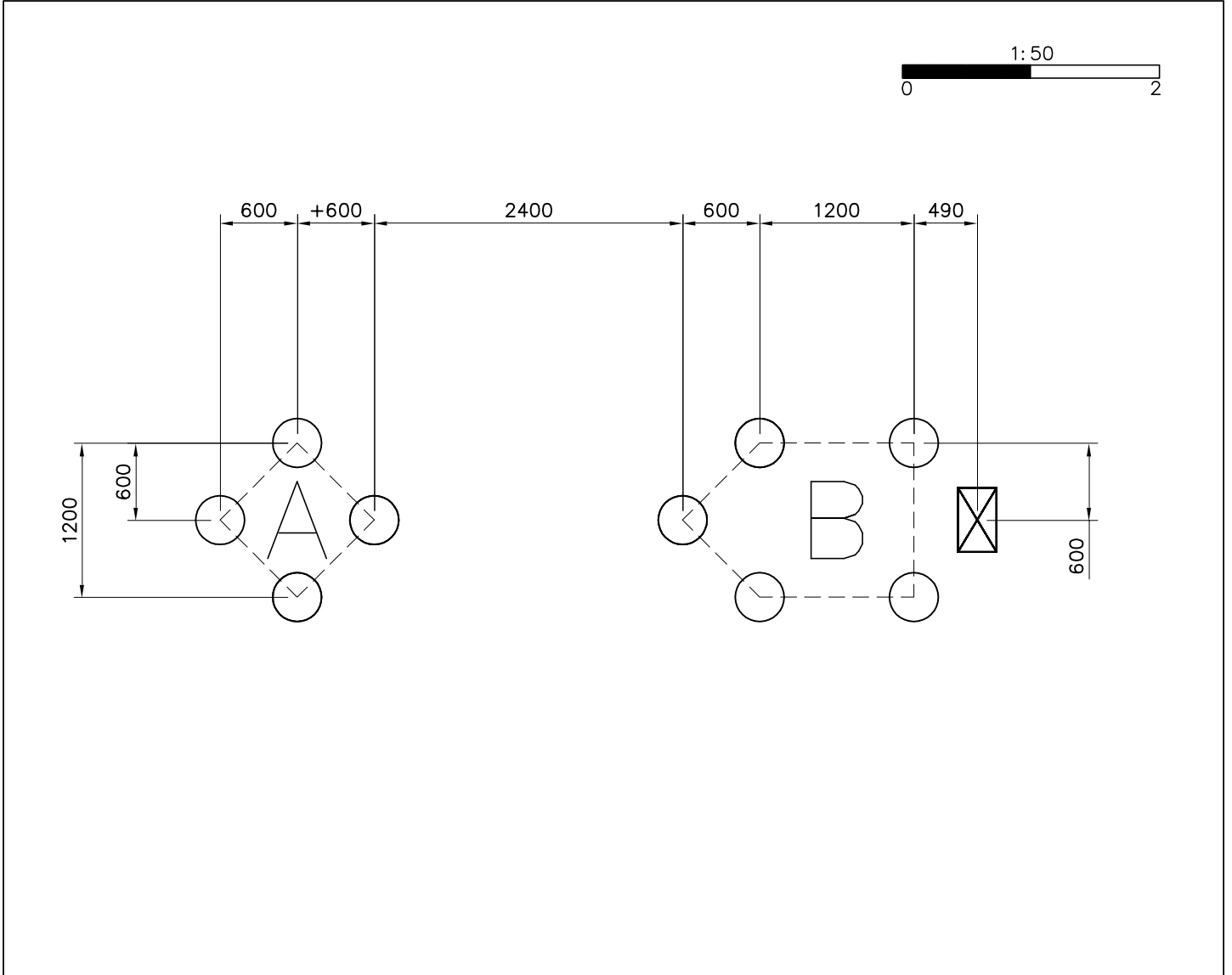
ASENNUSOHJE  
MONTERINGSANSVISNING  
INSTALLATION INSTRUCTION  
AUFBAUANLEITUNG  
NOTICE D'INSTALLATION

REF: 120264  
DATE: 1.4.2005

# **120264**

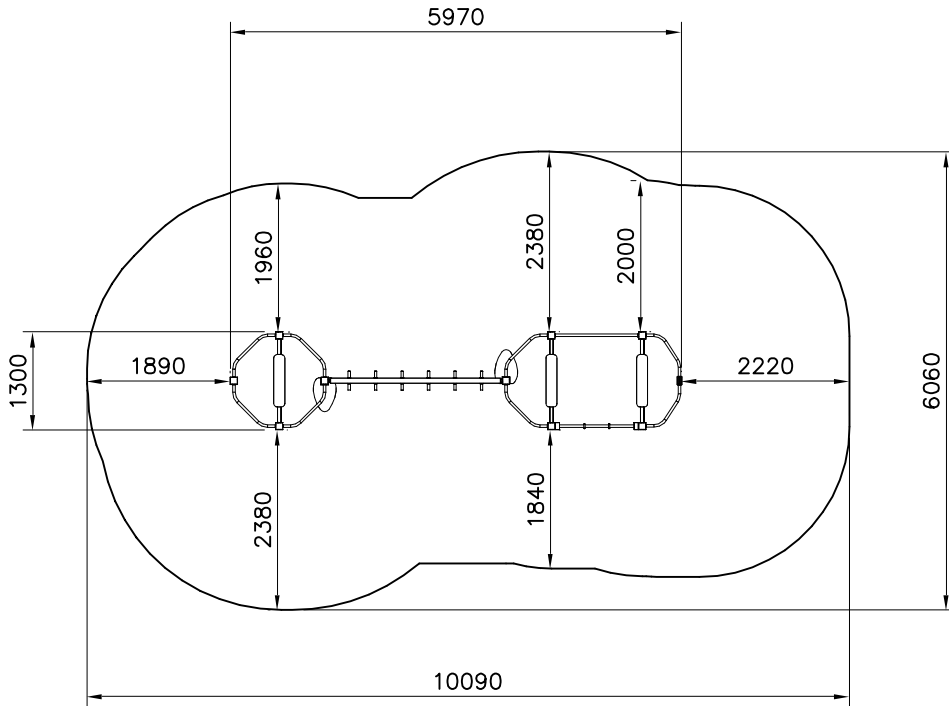
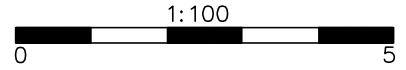


003990	PCS 2	005077	PCS 1	005692	PCS 3	006822	PCS 5	006828	PCS 4	006971	PCS 1
											
				L 1104		L 2250		L 2850		L 2260	
007333	PCS 3	007841	PCS 1	900240	PCS 76	905051	PCS 12	905102	PCS 4	905103	PCS 4
											
				8x70		Ø24/8.4		SR-H-2040		PT-28/32-H	
905104	PCS 36	905120	PCS 18	905138	PCS 9	905196	PCS 9	907044	PCS 1	909224	PCS 4
											
M10		Ø14		GREY		GREY		L 2090		12x100	
909238	PCS 12	909521	PCS 9	909542	PCS 1	909569	PCS 2	909578	PCS 2	909638	PCS 4
											
8x90				L 1104		L 1104				Ø20/10.5	
909862	PCS 4	909893	PCS 14	980131	PCS 36	980154	PCS 4		PCS		PCS
											
10x60				6x60		Ø24/13					
	PCS		PCS		PCS		PCS		PCS		PCS
	PCS		PCS		PCS		PCS		PCS		PCS



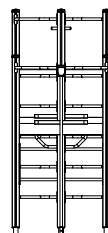
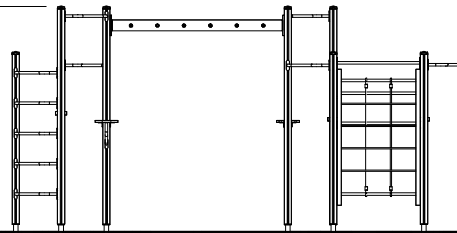
	<p>Sand 0.2-2 mm/ Gravel 2-8 mm</p>	<p>Sand 0.2-2 mm/ Gravel 2-8 mm</p> <p>907040</p>	

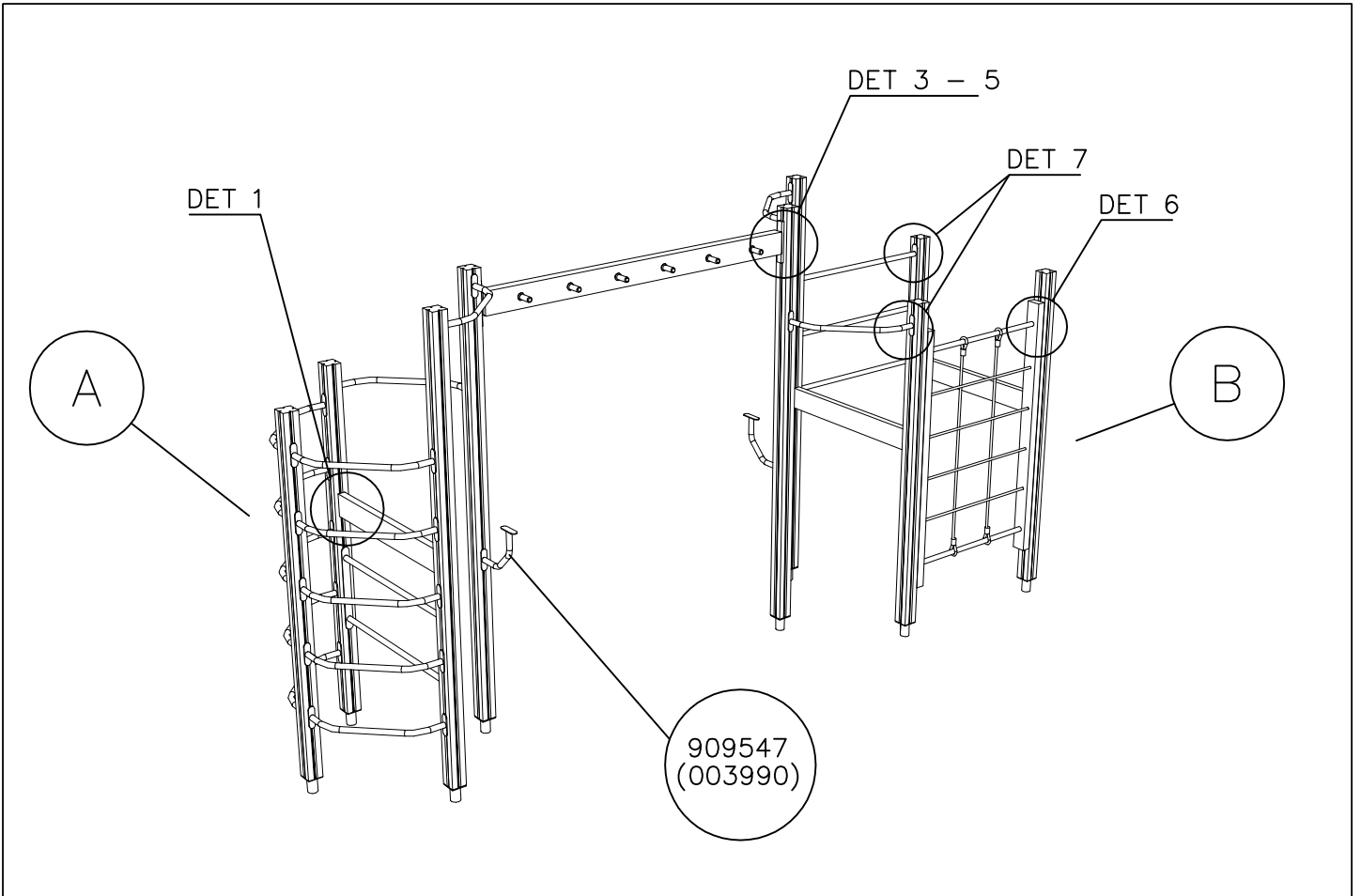
EN Impact Area 49.5 m<sup>2</sup>



+2980

+0





<p>DET 1</p> <p>8x90 Ø24/8.4</p>	<p>DET 2</p> <p>6x60</p>	<p>DET 3</p> <p>M10</p> <p>909578 905102</p>	<p>DET 4</p> <p>45 30</p>
<p>DET 5</p> <p>905103 10x60 Ø21/11</p>	<p>DET 6</p> <p>Ø24/13 12x100 7841</p>	<p>DET 7</p> <p>8x70</p>	<p>DET 8</p> <p>905120</p>

