

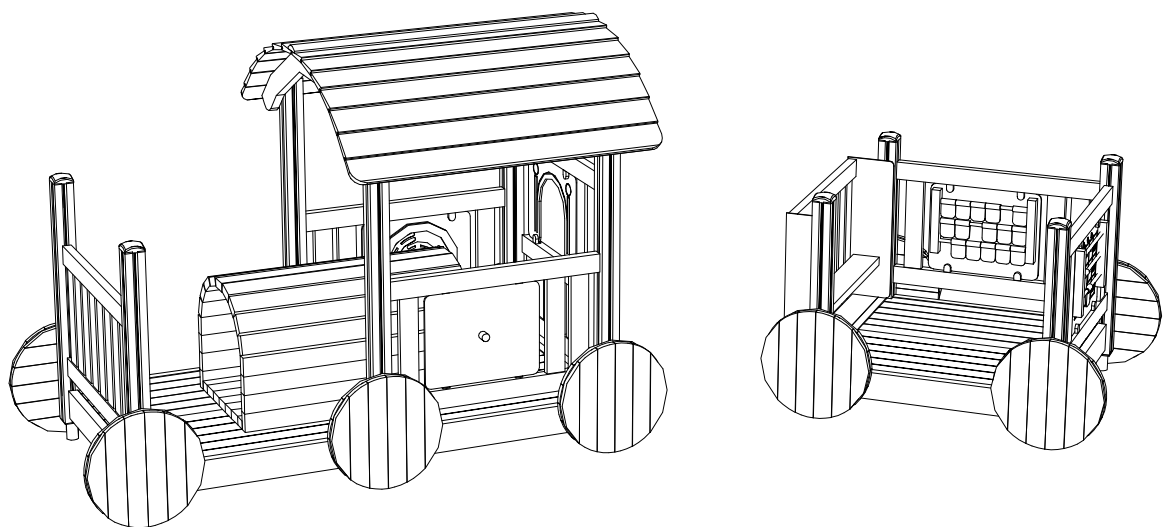
LAPPSET®

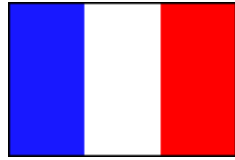
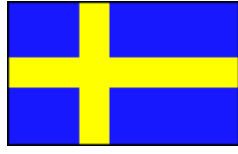
FINNO

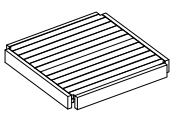
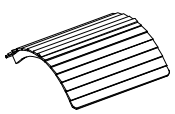
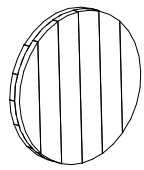
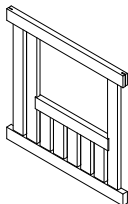
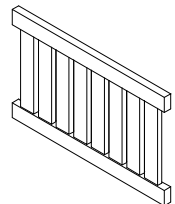
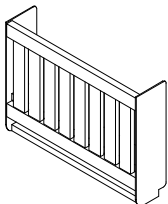
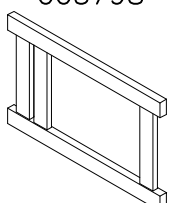
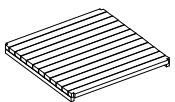
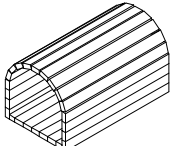
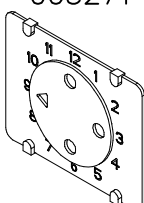
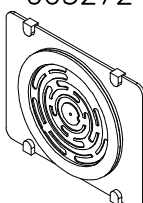
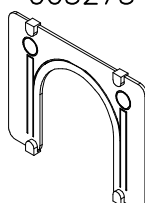
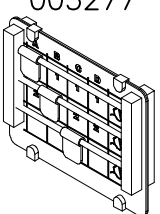
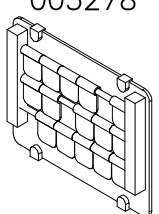
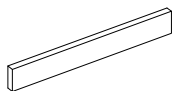

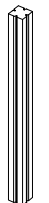

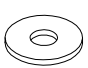
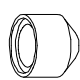
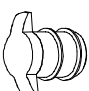
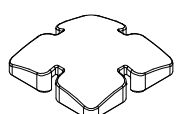
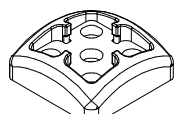
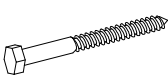
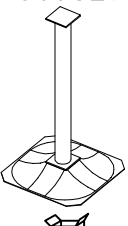


ASENNUSOHJE
MONTERINGSANSVISNING
INSTALLATION INSTRUCTION
AUFBAUANLEITUNG
NOTICE D'INSTALLATION

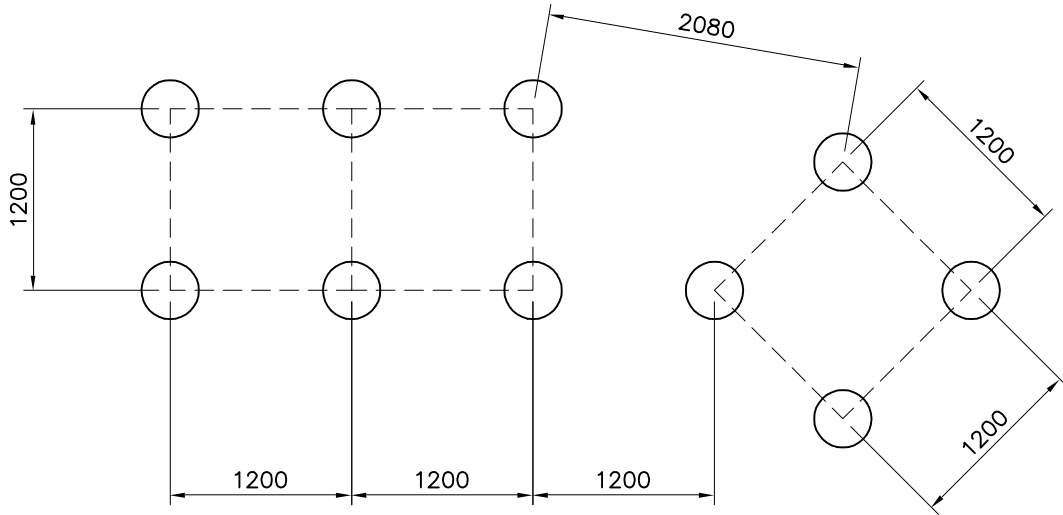
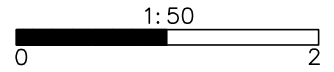
REF: 120352
DATE: 15.6.2003

120352



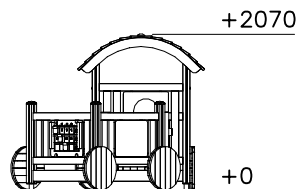
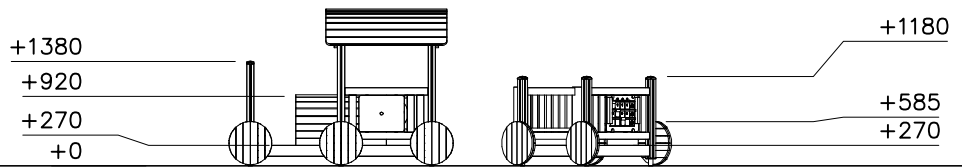
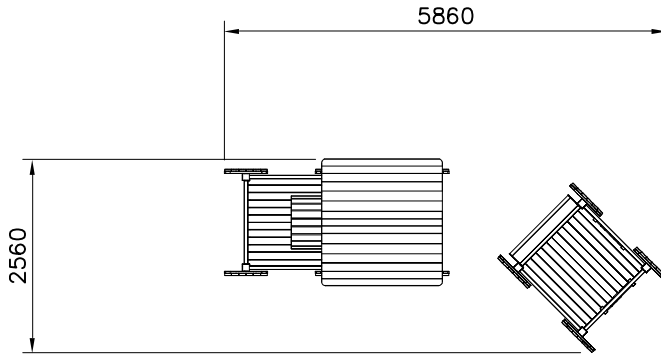
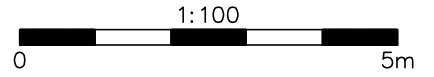


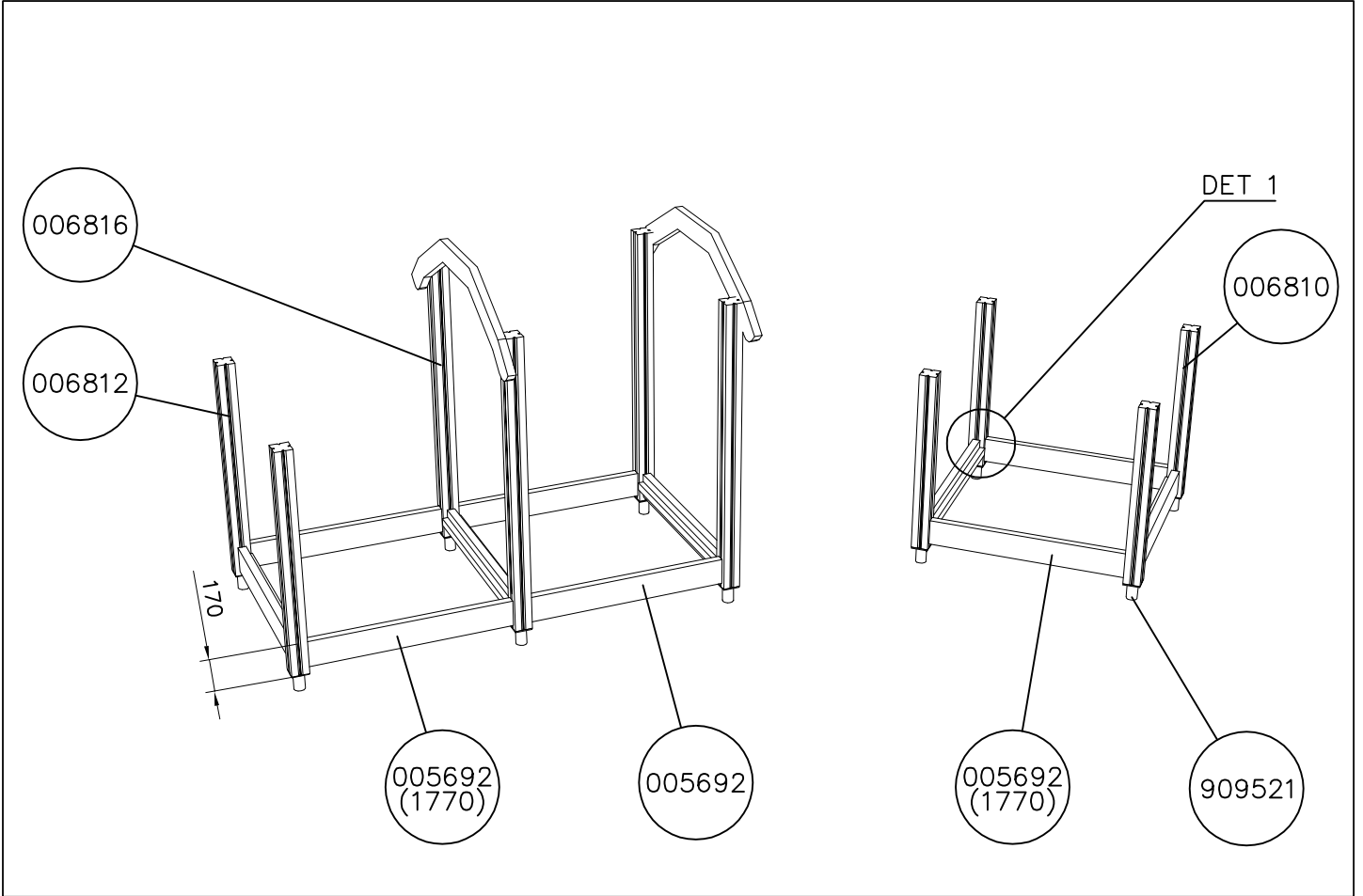
001770	PCS 2	002780	PCS 1	003347	PCS 10	003700	PCS 1	003786	PCS 1	003795	PCS 1
									RED		
003798	PCS 4	003880	PCS 1	003950	PCS 1	005271	PCS 1	005272	PCS 1	005273	PCS 1
											
005277	PCS 1	005278	PCS 1	005692	PCS 3	006810	PCS 4	006812	PCS 2	006816	PCS 4
					L 1104		L 1050		L 1250		L 1650
905051	PCS 52	905104	PCS 40	905120	PCS 24	905138	PCS 6	905196	PCS 6	909238	PCS 52
	Ø24/8.5		M10		Ø14		GREY		GREY		8x90
909521	PCS 10	980104	PCS 22	980131	PCS 24						
			5x90		6x60						
	PCS		PCS		PCS		PCS		PCS		PCS
	PCS		PCS		PCS		PCS		PCS		PCS



	<p>Sand 0.2-2 mm/ Gravel 2-8 mm</p> <p>100 300 600</p>		

EN Impact Area 15.6 m²





<p>DET 1</p>	<p>DET 2</p>	<p>DET 3</p>	<p>DET 4</p>
<p>DET 5</p>			

