

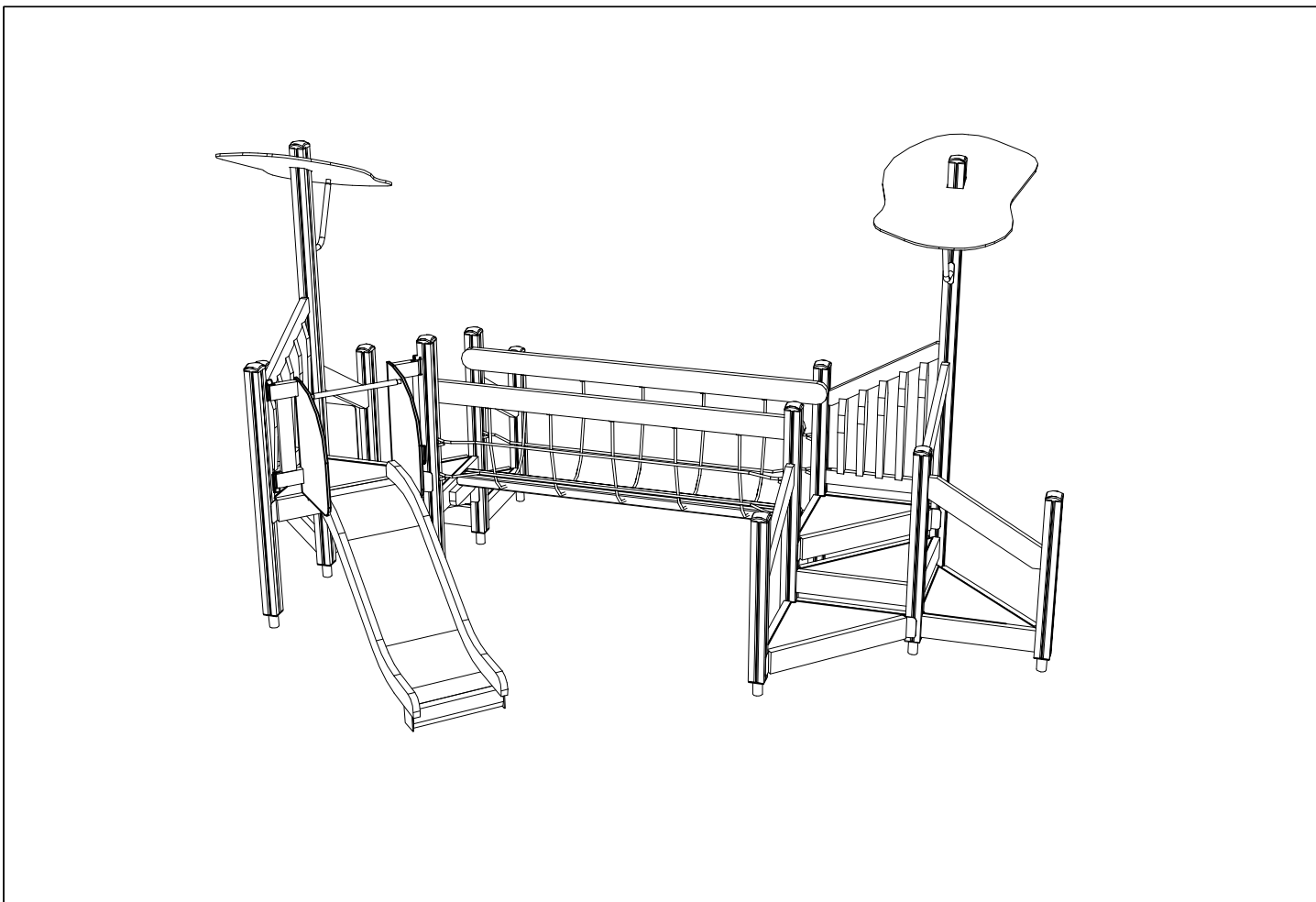
LAPPSET®

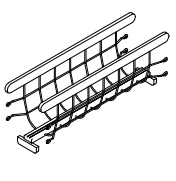
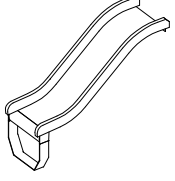
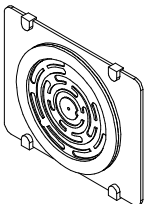


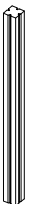


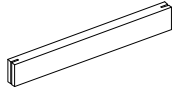
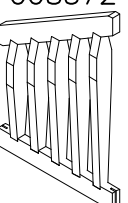
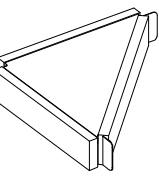
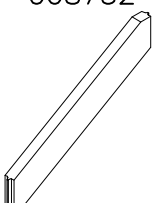
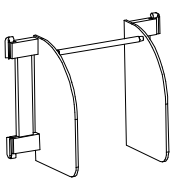




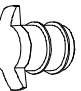
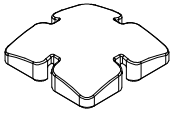
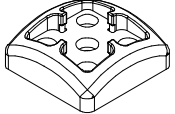

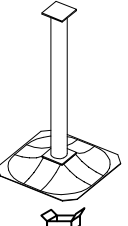
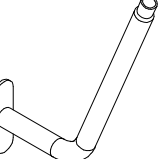

FOREST

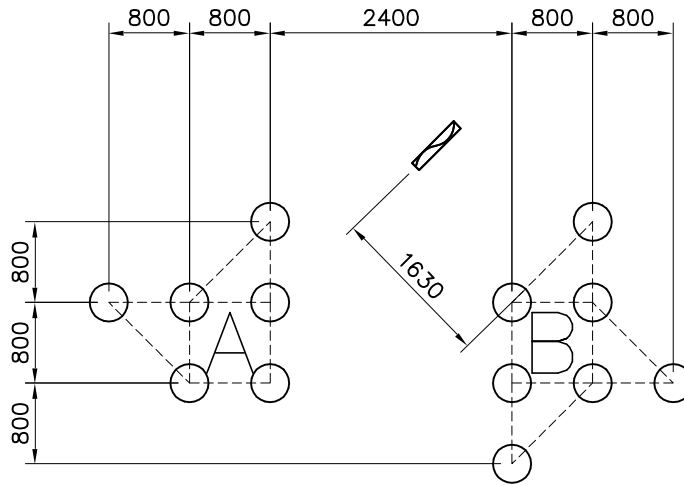
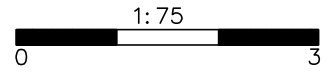
ASENNUSOHJE
MONTERINGSANSVISNING
INSTALLATION INSTRUCTION
AUFBAUANLEITUNG
NOTICE D'INSTALLATION

REF: 138020
DATE: 5.11.2004

138020

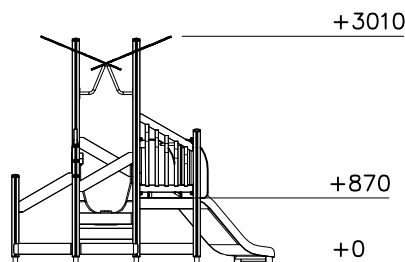
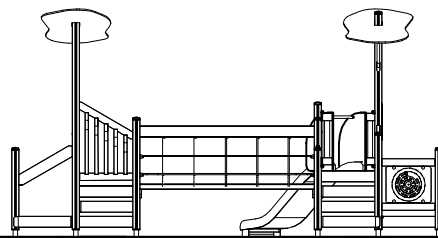
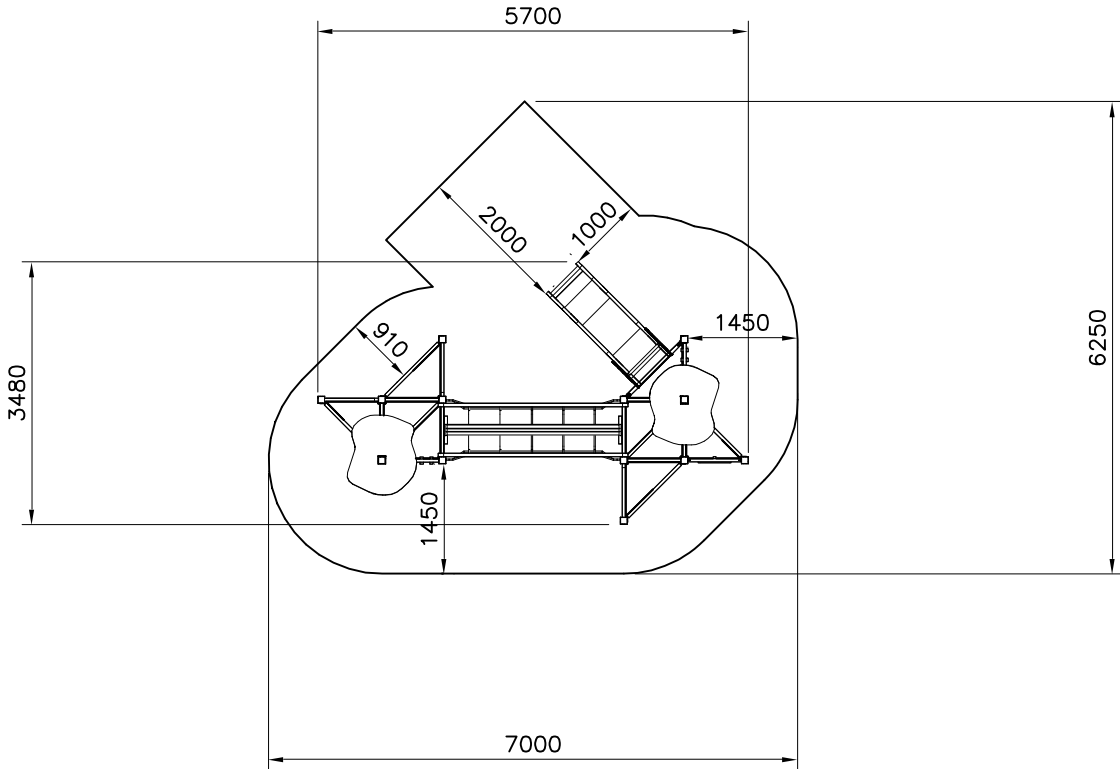
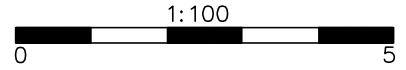


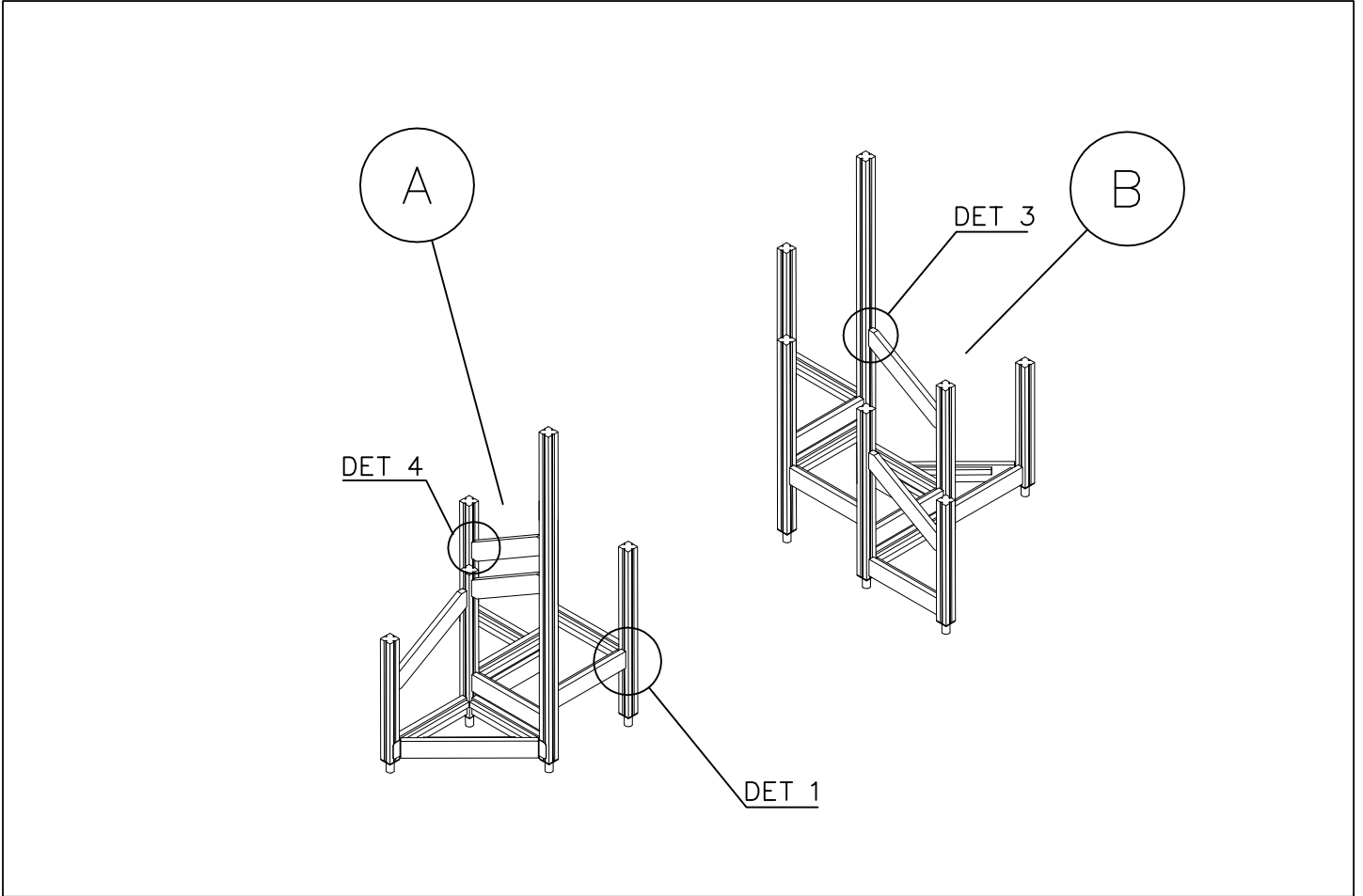
001854  L 1050	PCS 1	003618  L 2850	PCS 1	005272  L 1050	PCS 1	006810  L 1050	PCS 4	006812  L 1250	PCS 2	006814  L 1450	PCS 3
006816  L 1650	PCS 2	006828  L 2850	PCS 2	007530  L 1050	PCS 2	008572  L 1050	PCS 2	008705  L 1050	PCS 9	008752  L 1050	PCS 5
008791  L 1050	PCS 1	008875  L 1050	PCS 2	905051  Ø24/8.4	PCS 10	905067  S35H	PCS 10	905104  M10	PCS 52	905120  Ø14	PCS 26
905137  YELLOW	PCS 13	905195  YELLOW	PCS 13	909231  8x130	PCS 10	909521  L 1050	PCS 13	909575  L 1050	PCS 2	980131  6x60	PCS 52
	PCS		PCS		PCS		PCS		PCS		PCS
	PCS		PCS		PCS		PCS		PCS		PCS
	PCS		PCS		PCS		PCS		PCS		PCS



<p>M10 905104 909521</p>	<p>Sand 0.2-2 mm/ Gravel 2-8 mm 100 300 600</p>	<p>300 400</p>	

EN Impact Area 29.5 m²





<p>DET 1</p>	<p>DET 2</p>	<p>DET 3</p>	<p>DET 4</p>
<p>DET 5</p>			

