

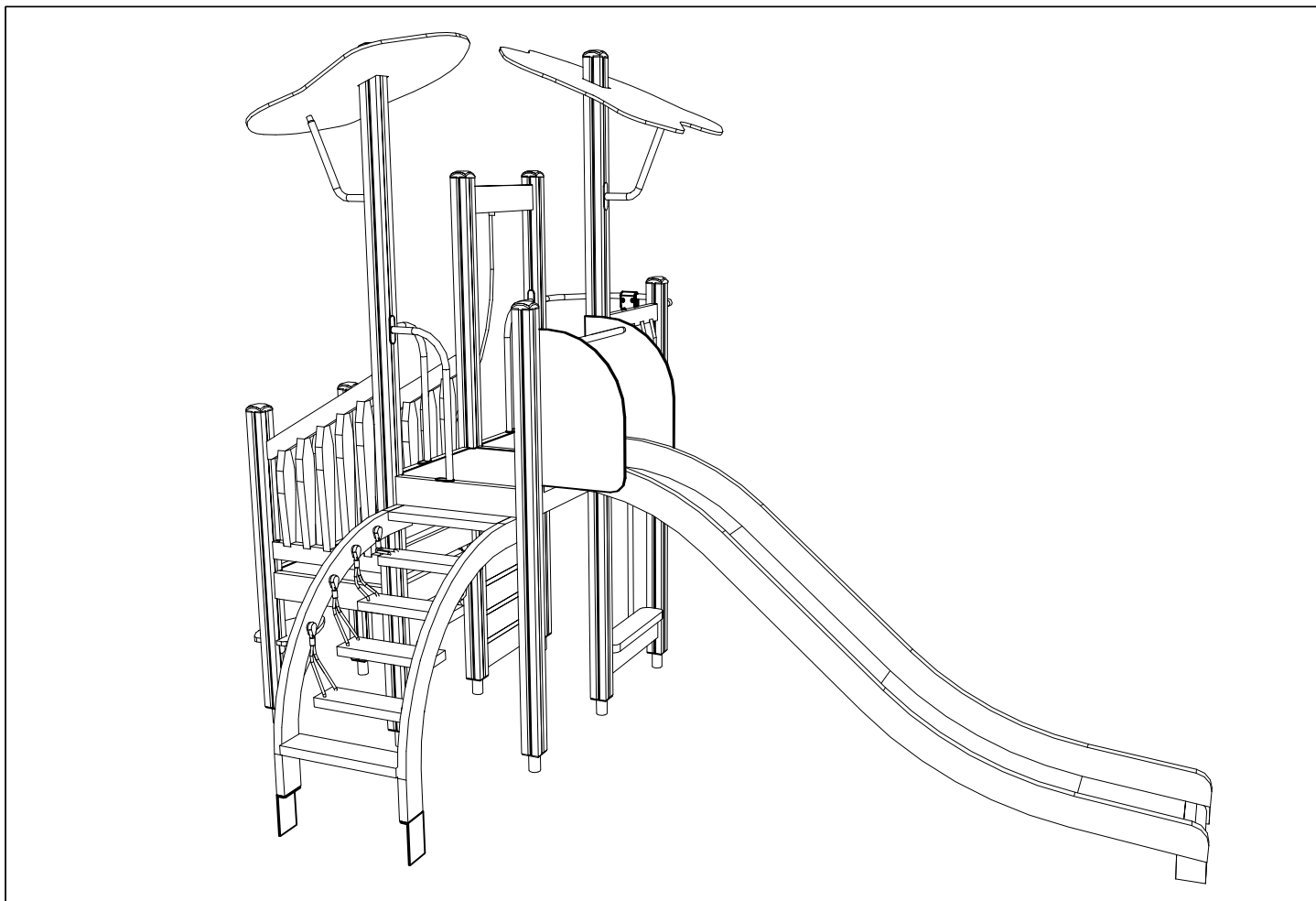
# **LAPPSET®**

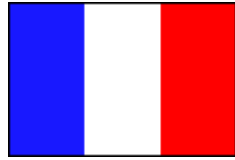
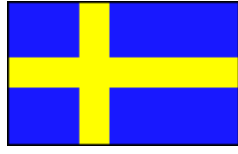
## **FOREST**

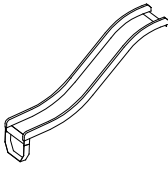
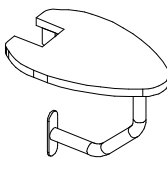
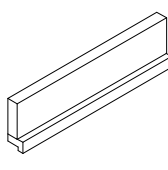
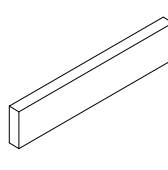
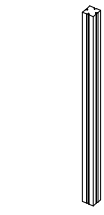
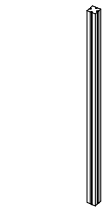


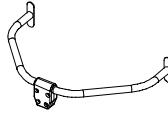
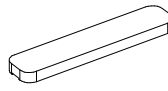
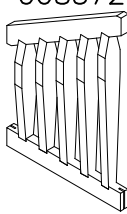
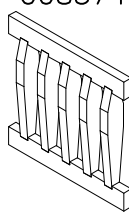
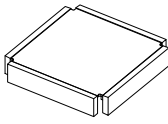
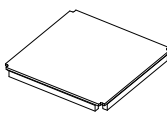
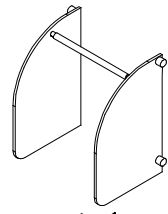
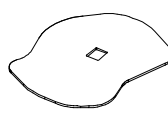
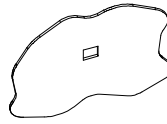

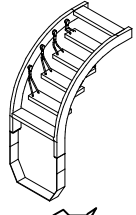
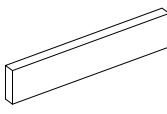

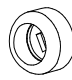
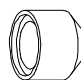

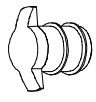
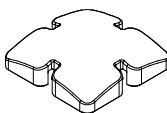
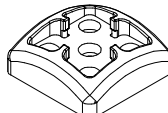

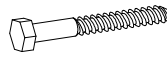
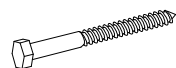
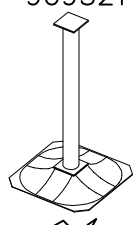
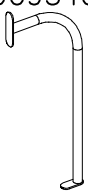
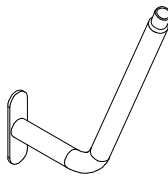


ASENNUSOHJE  
MONTERINGSANSVISNING  
INSTALLATION INSTRUCTION  
AUFBAUANLEITUNG  
NOTICE D'INSTALLATION

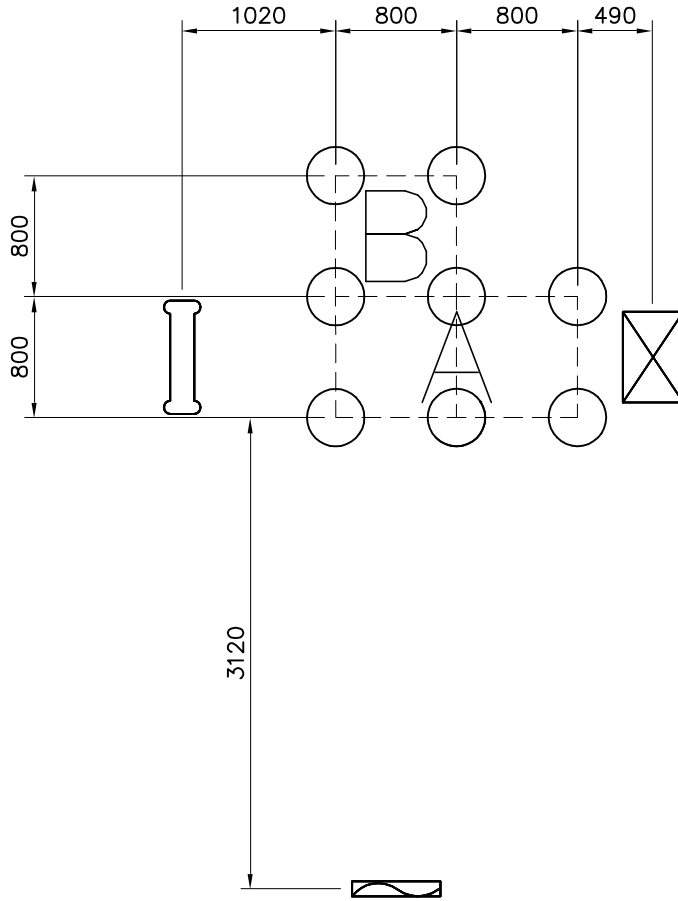
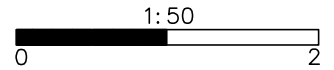
REF: 138033  
DATE: 15.6.2003

### **138033**



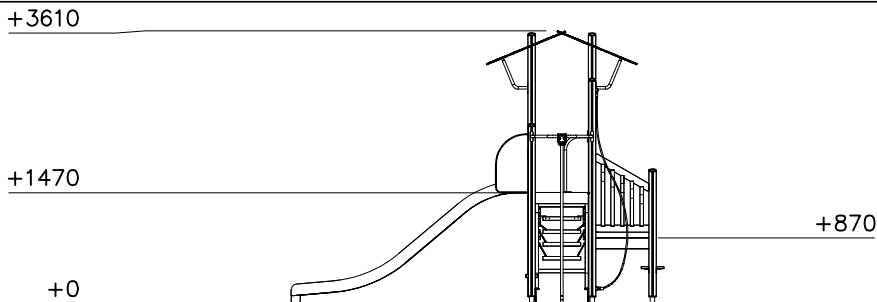
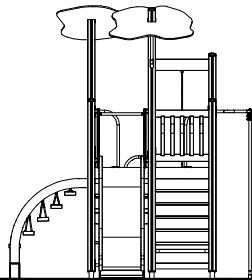
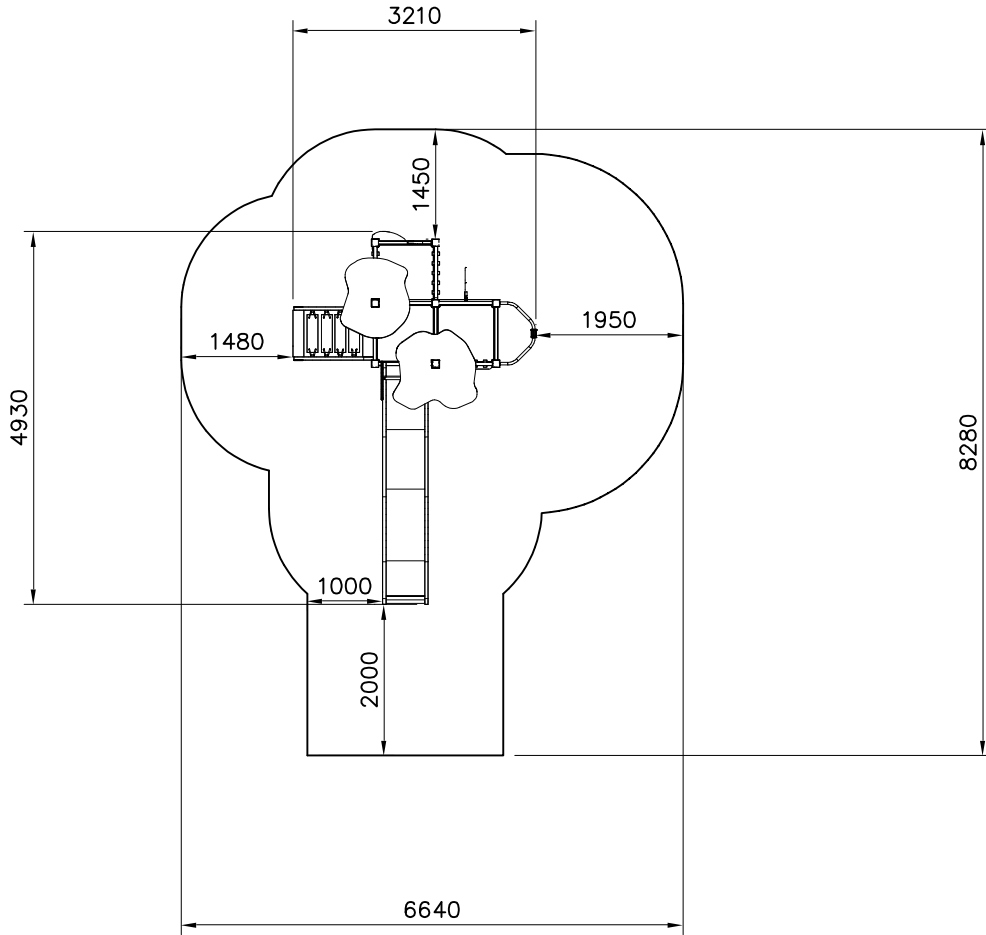
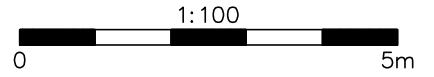


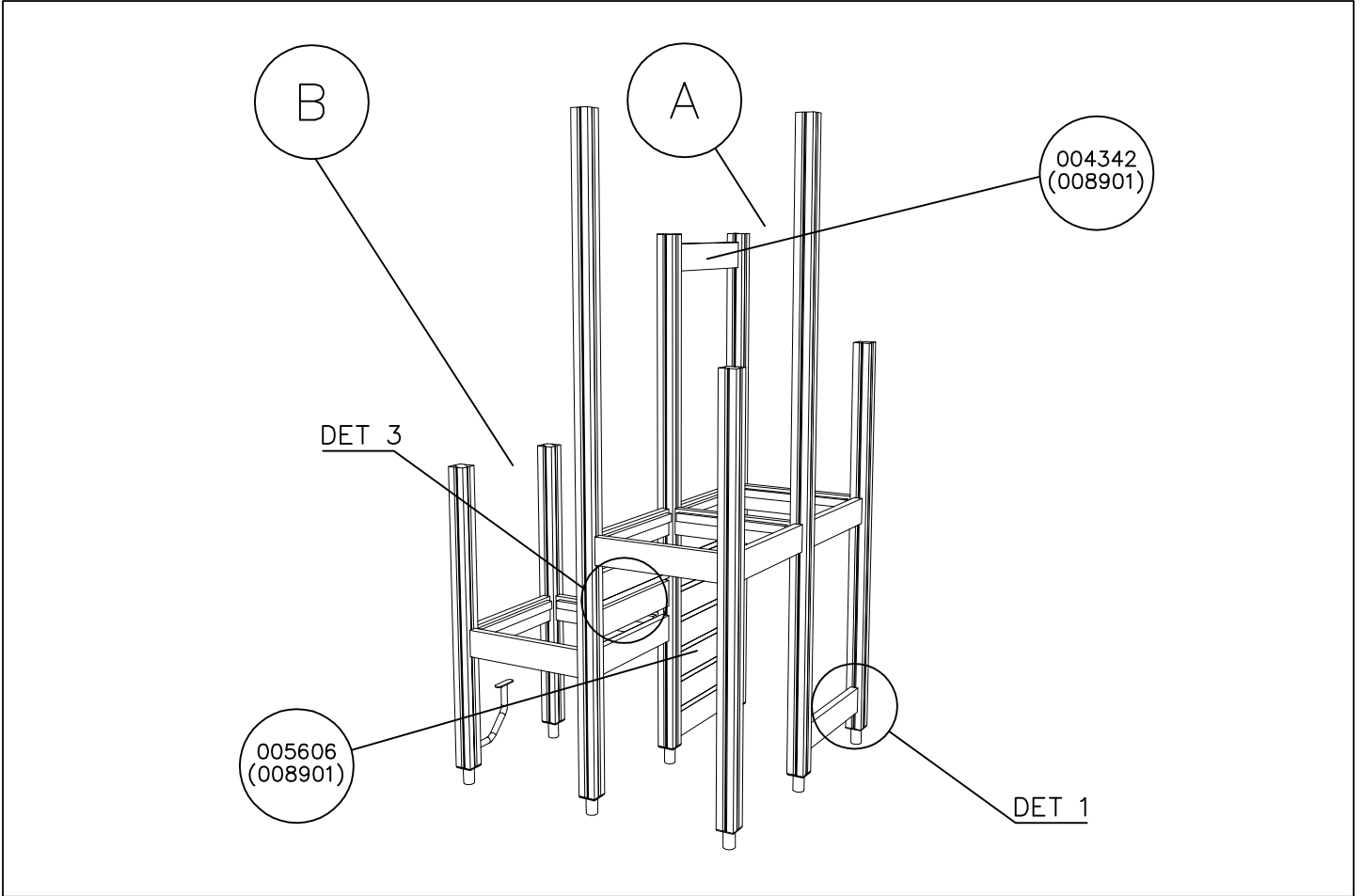
003614  L 704	PCS 1	003990  L 704	PCS 1	005606  L 704	PCS 1	005695  L 704	PCS 1	006816  L 1650	PCS 2	006822  L 2250	PCS 2
006828  L 2850	PCS 2	006834  L 3450	PCS 2	007077  L 704	PCS 1	007333  L 704	PCS 1	008572  L 704	PCS 2	008574  L 704	PCS 1
008701  L 704	PCS 2	008711  L 704	PCS 1	008790  L 704	PCS 1	008875  GREEN	PCS 1	008876  BLUE	PCS 1	008901  L 704	PCS 1
008907  L 704	PCS 1	008940  L 704	PCS 4	905051  Ø24/8.4	PCS 24	905083  Ø32	PCS 12	905104  M10	PCS 32	905112  Ø22	PCS 12
905120  Ø14	PCS 16	905137  YELLOW	PCS 8	905195  YELLOW	PCS 8	907044  L 2090	PCS 1	909217  8x70	PCS 12	909238  8x90	PCS 24
909521  L 704	PCS 8	909540  L 704	PCS 4	909575  L 704	PCS 2	980131  6x60	PCS 32	980151  Ø16/8.4	PCS 12		PCS
	PCS		PCS		PCS		PCS		PCS		PCS



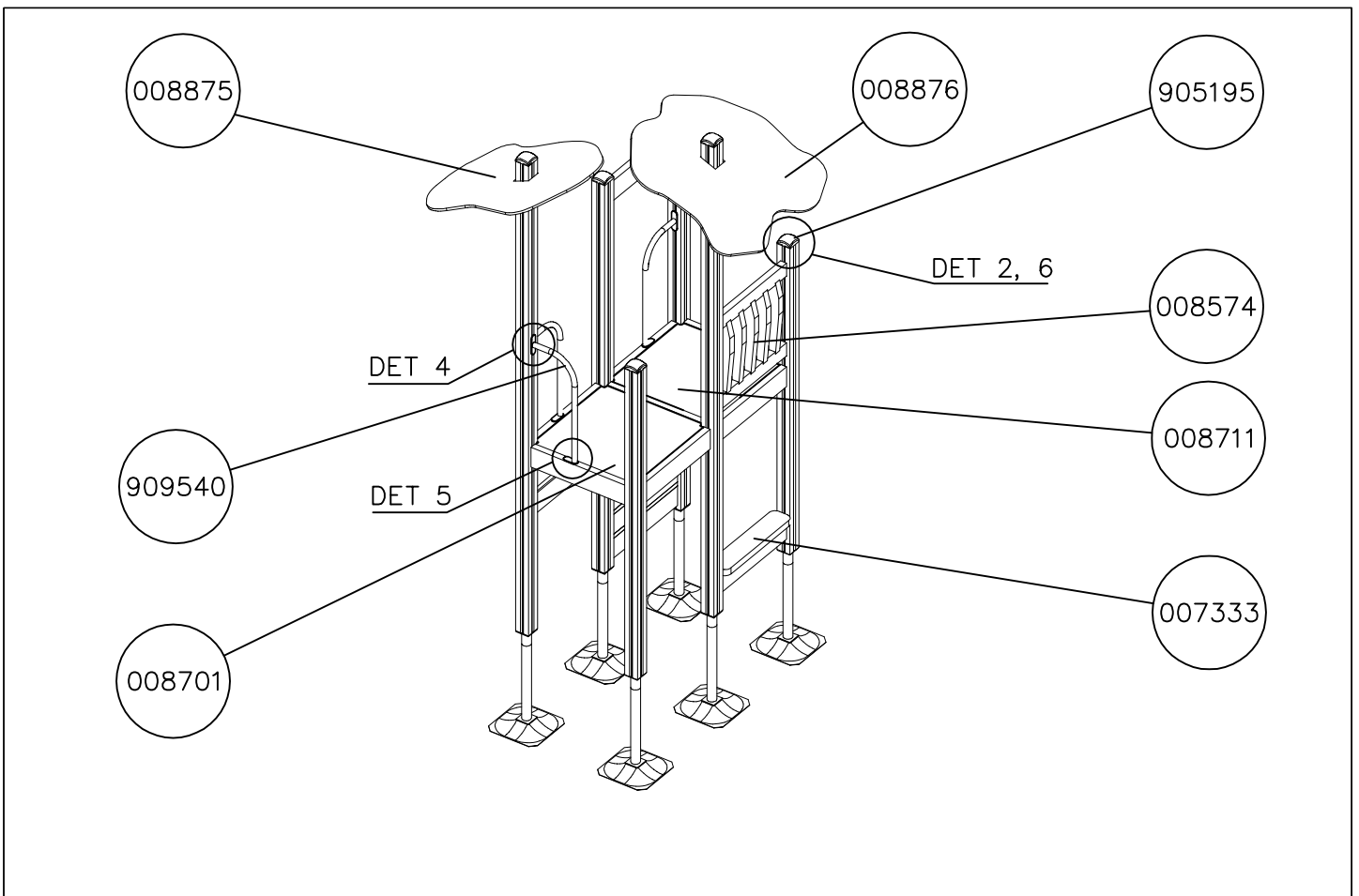
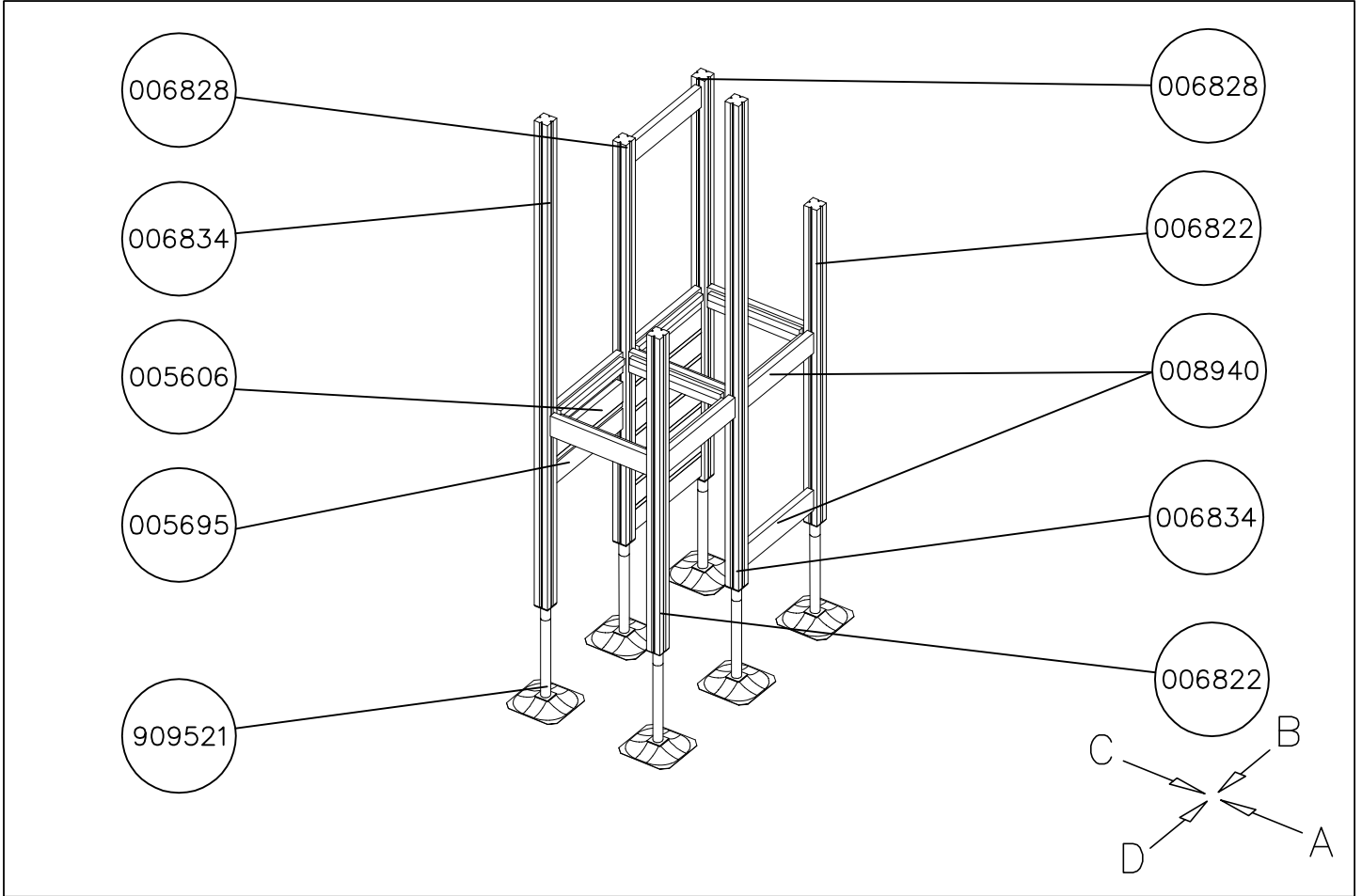
<p>M10 905104 909521</p>	<p>Sand 0.2-2 mm/ Gravel 2-8 mm 100 300 600</p>	<p>Sand 0.2-2 mm/ Gravel 2-8 mm 300 400</p>	<p>907040 Sand 0.2-2 mm/ Gravel 2-8 mm 300 600</p>
<p>905104 909822</p>	<p>Sand 0.2-2 mm/ Gravel 2-8 mm 210 300 400</p>		

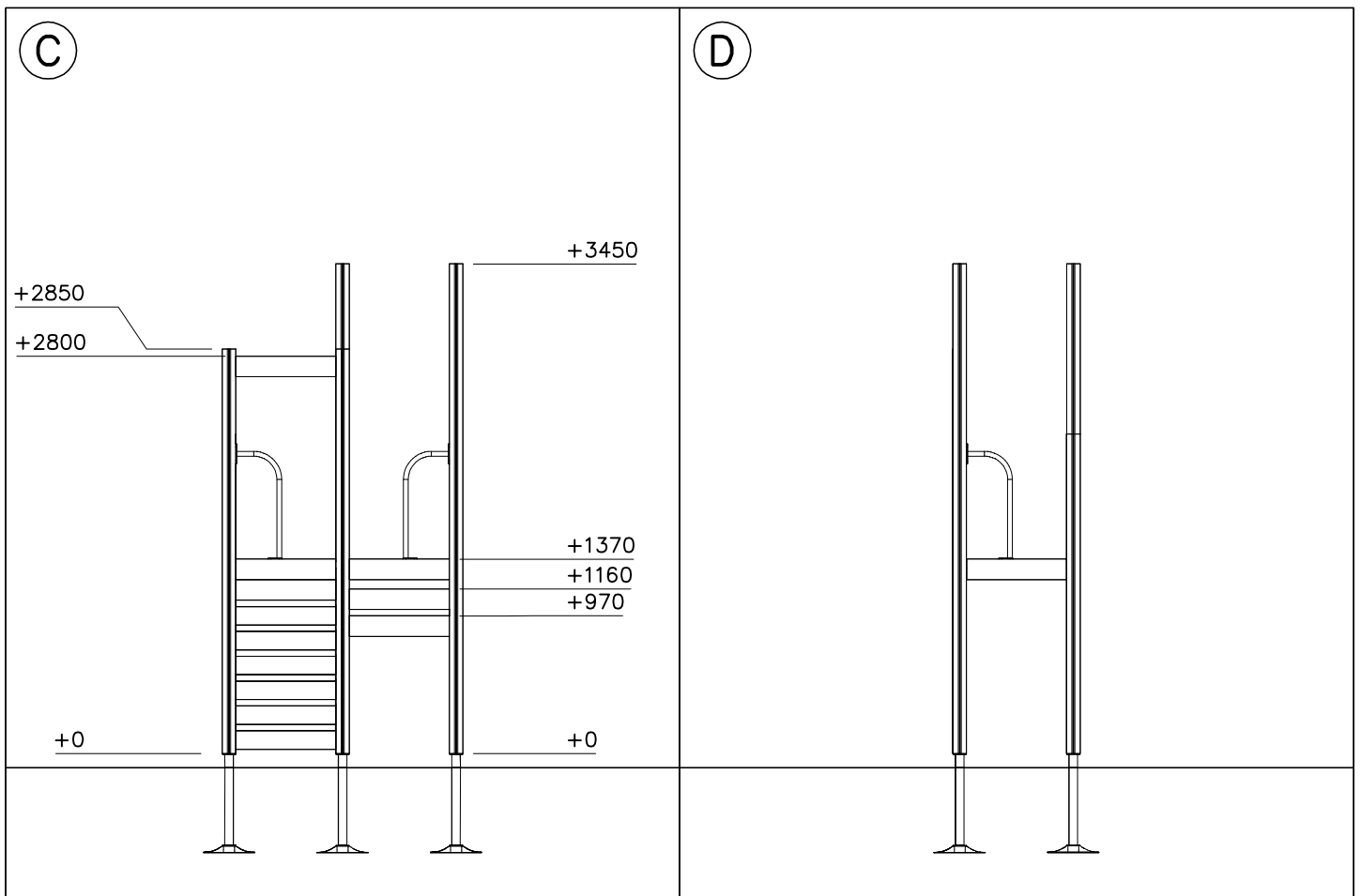
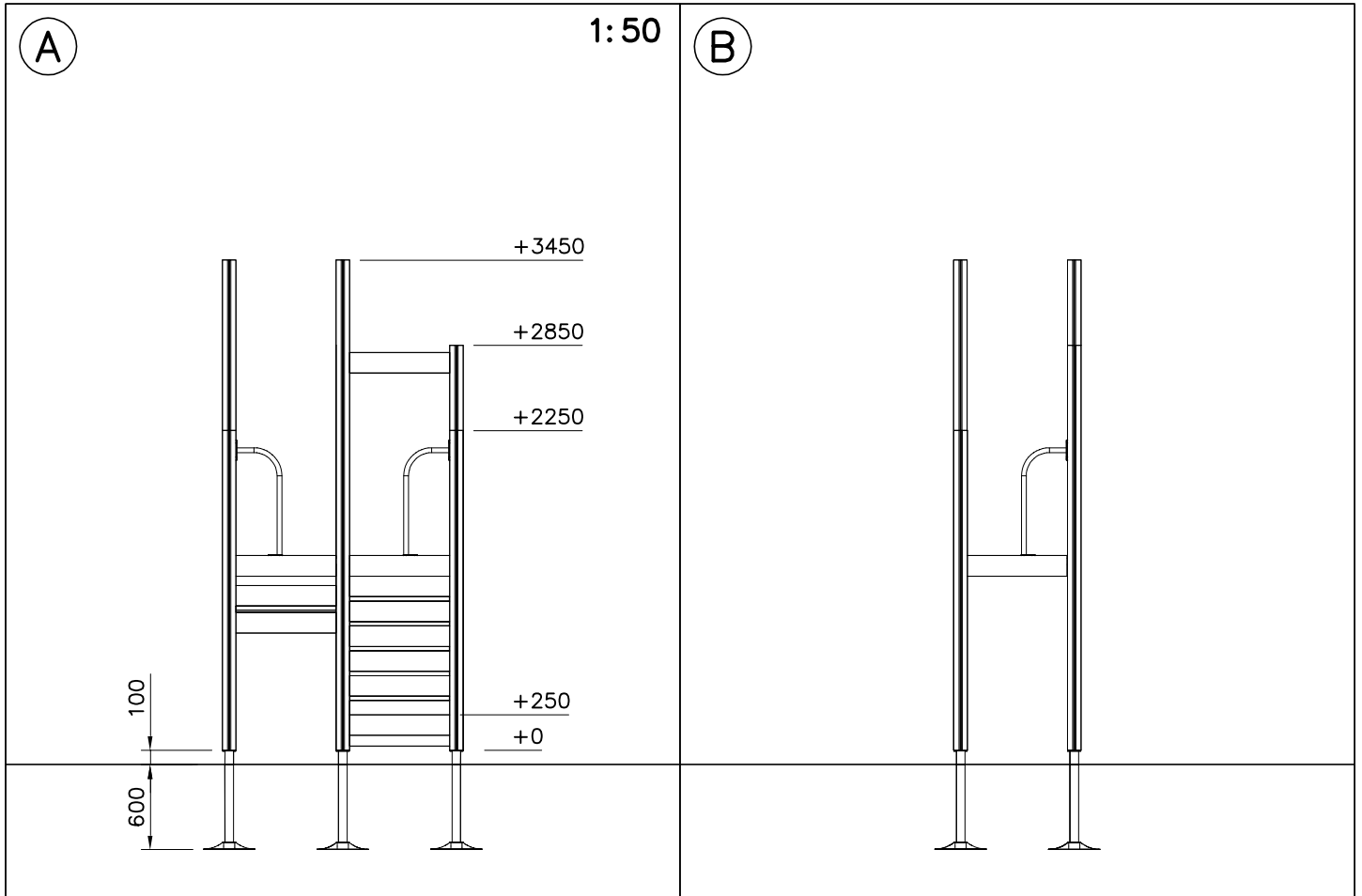
EN Impact Area 37.3 m<sup>2</sup>



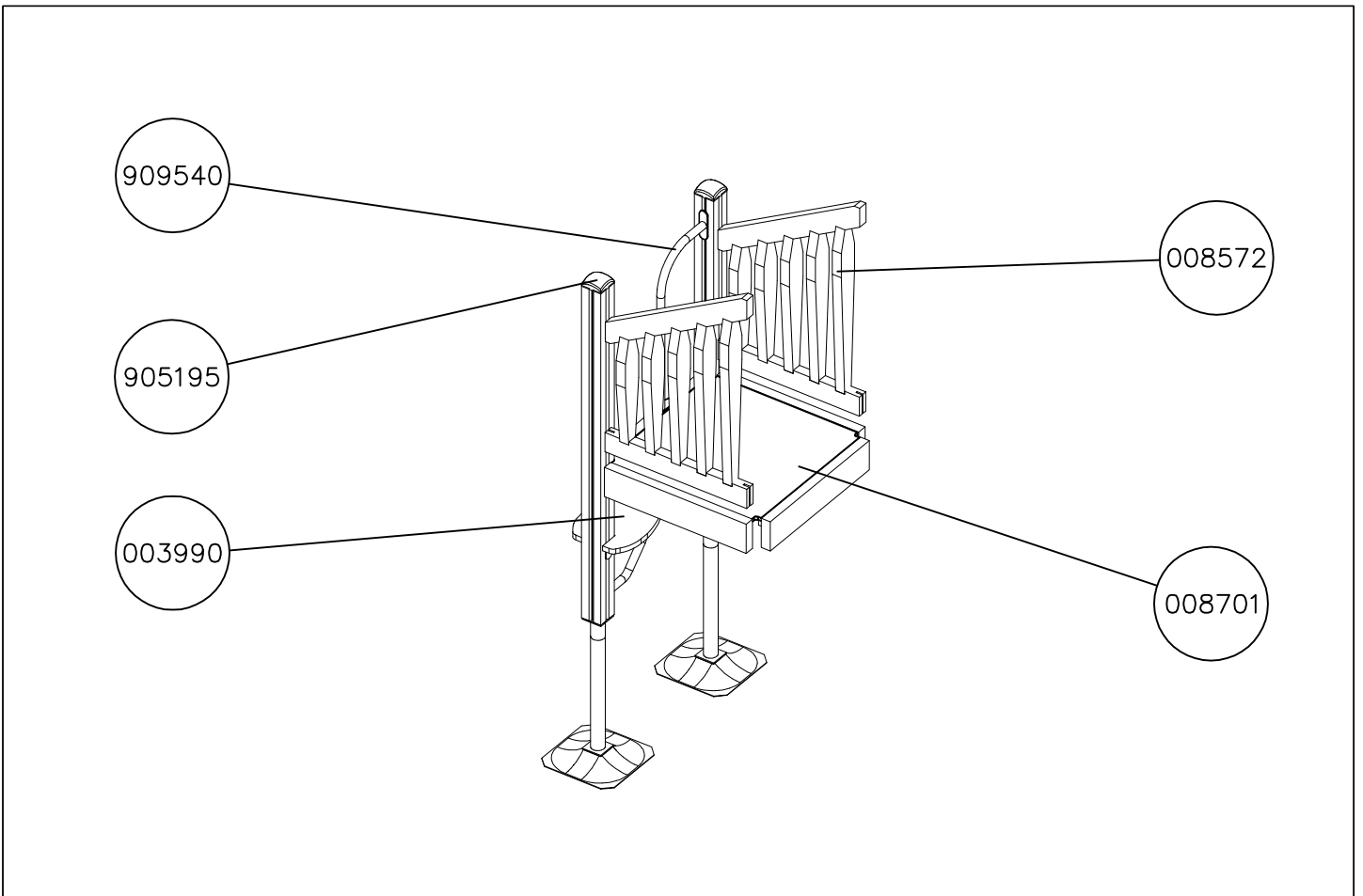
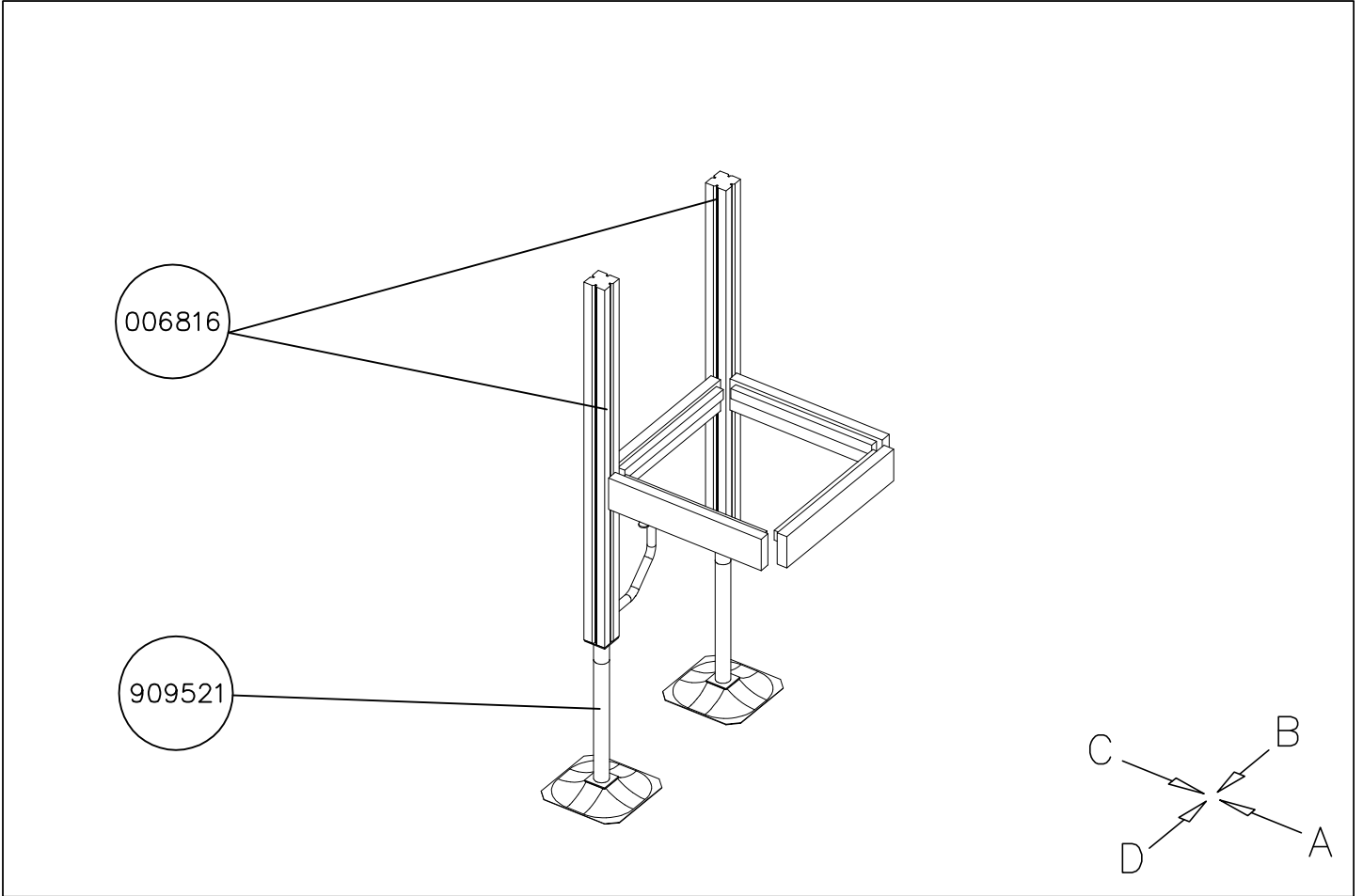


<p>DET 1</p> <p>8x90  <math>\varnothing 24/8.4</math></p>	<p>DET 2</p> <p>6x60</p>	<p>DET 3</p> <p>8x90          905051          5606</p>	<p>DET 4</p> <p>8x70          905083          905112  <math>\varnothing 16/8.4</math></p>
<p>DET 5</p> <p>905112  <math>\varnothing 16/8.4</math>          905083          8x70</p>	<p>DET 6</p> <p>905120</p>		





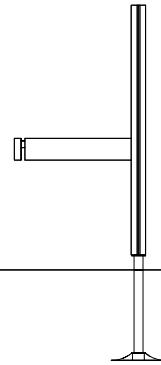
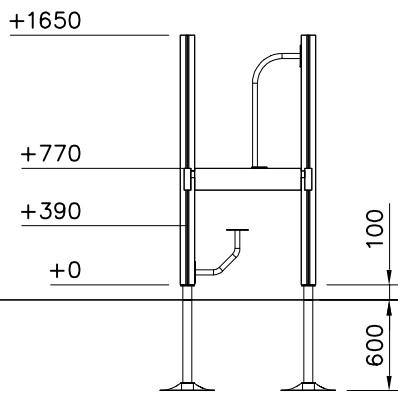




(A)

1: 50

(B)



(C)

(D)

