

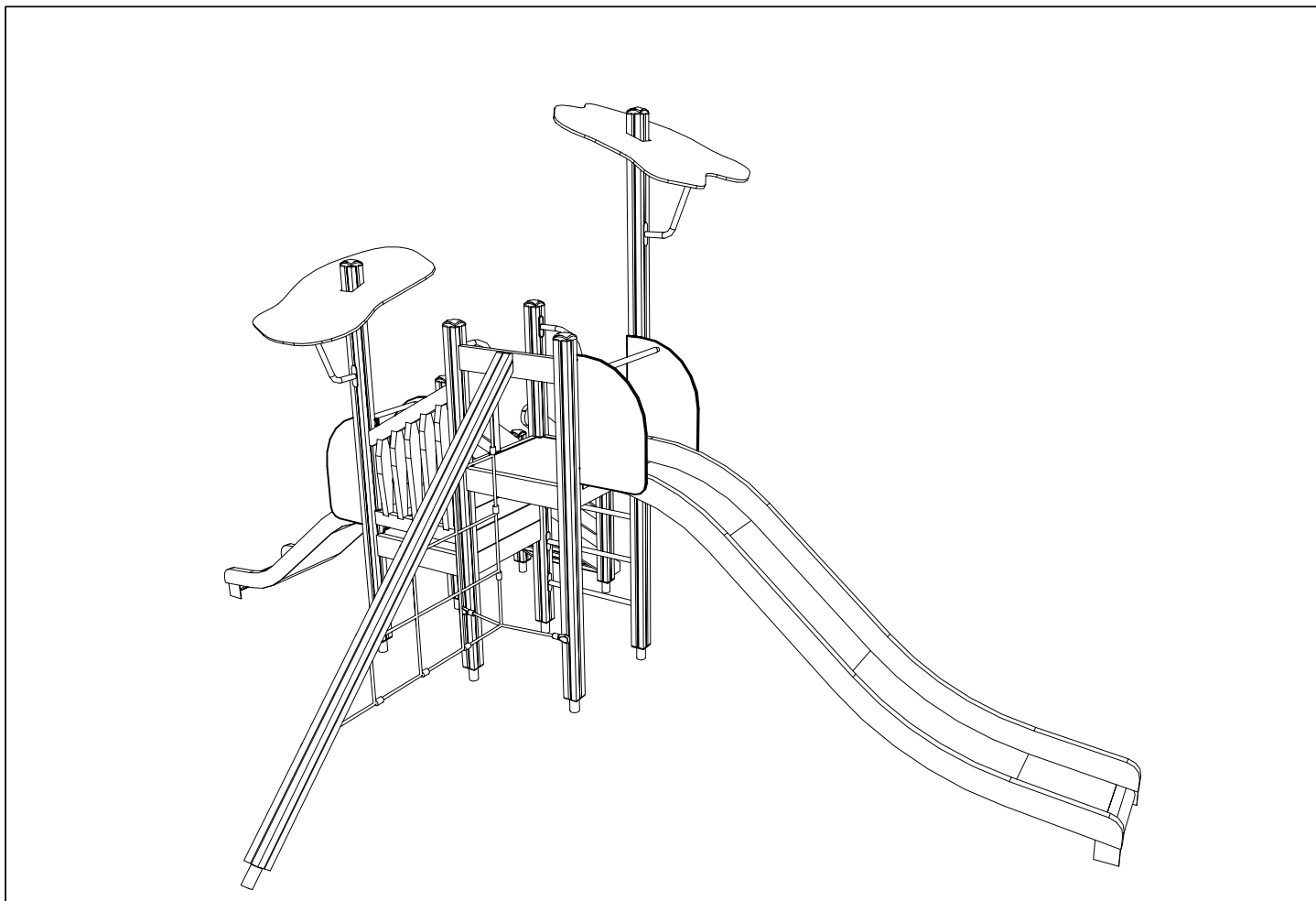
LAPPSET®

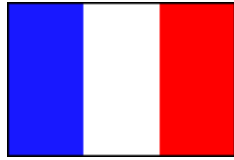
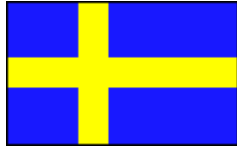
FOREST

ASENNUSOHJE
MONTERINGSANSVISNING
INSTALLATION INSTRUCTION
AUFBAUANLEITUNG
NOTICE D'INSTALLATION

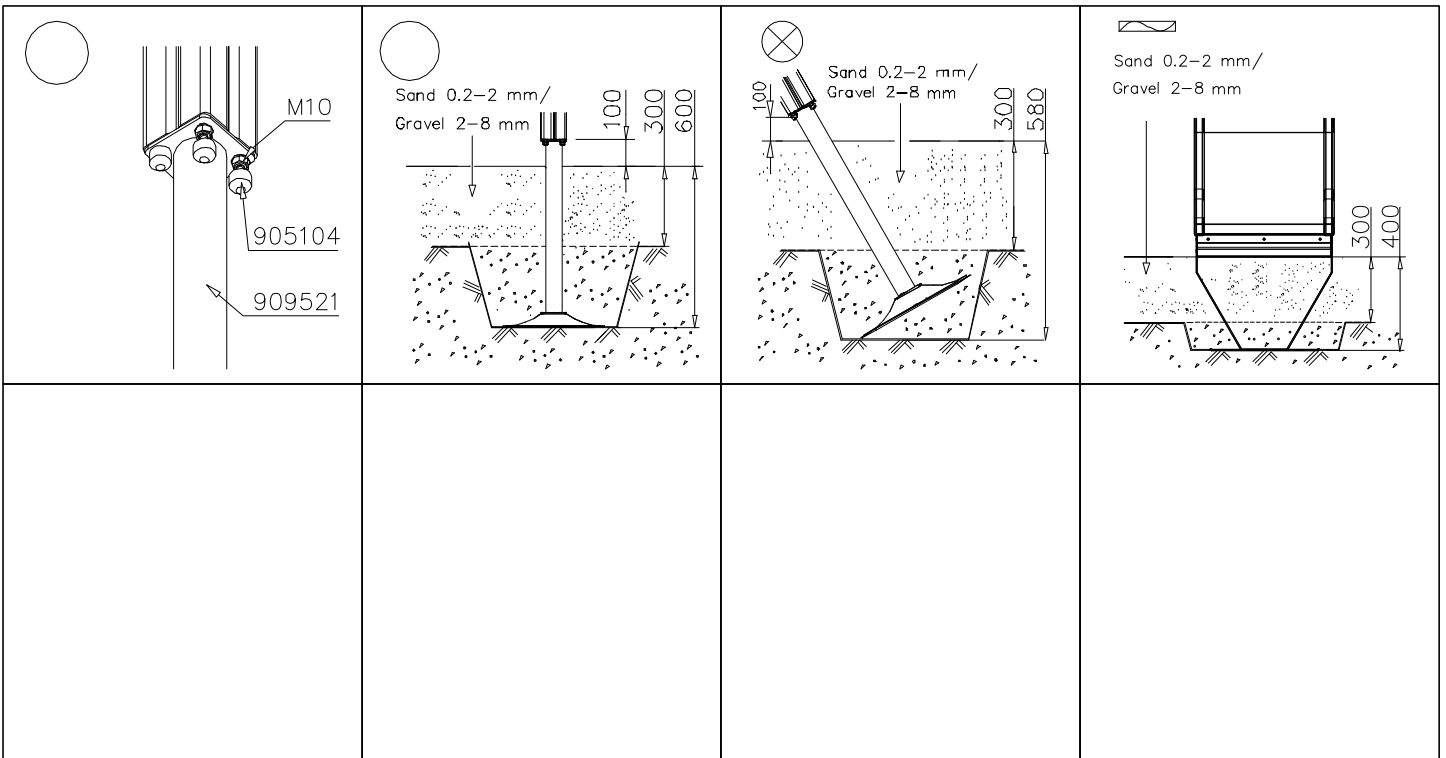
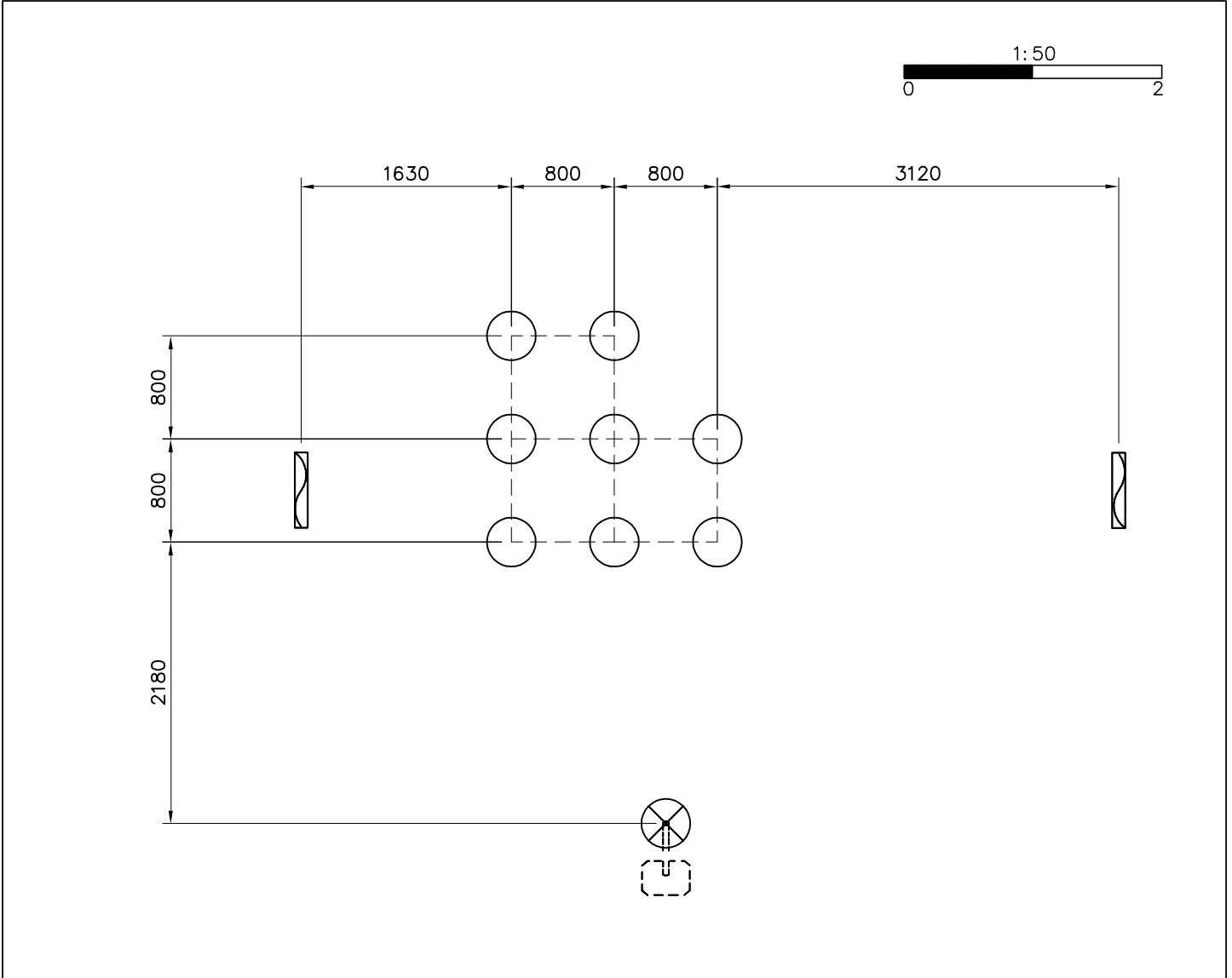
REF: 138041
DATE: 15.6.2003

138041

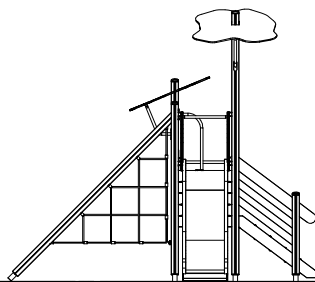
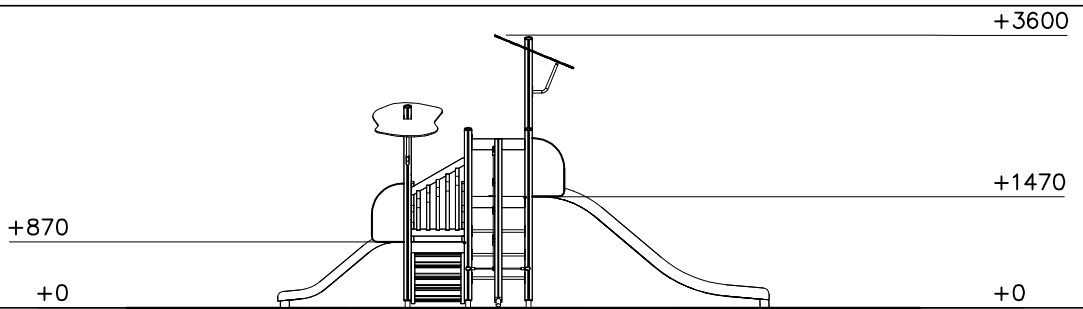
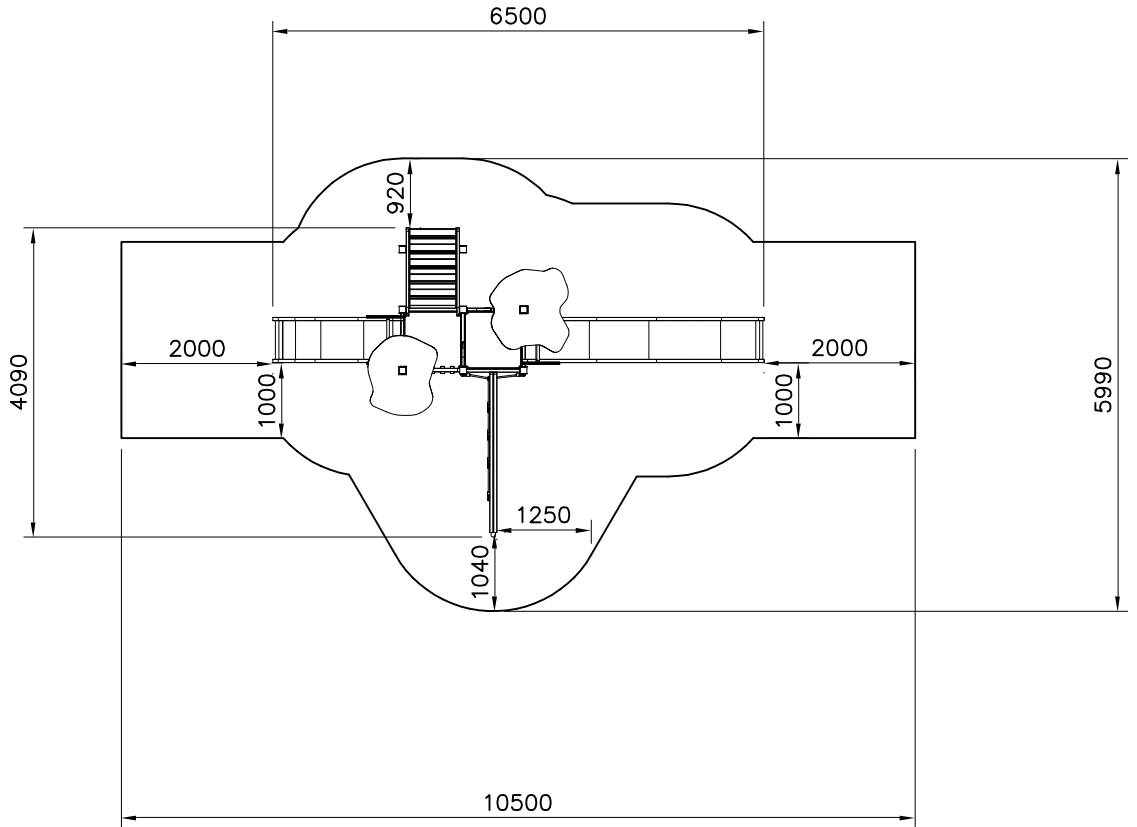
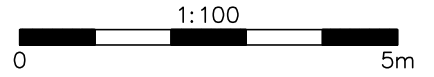


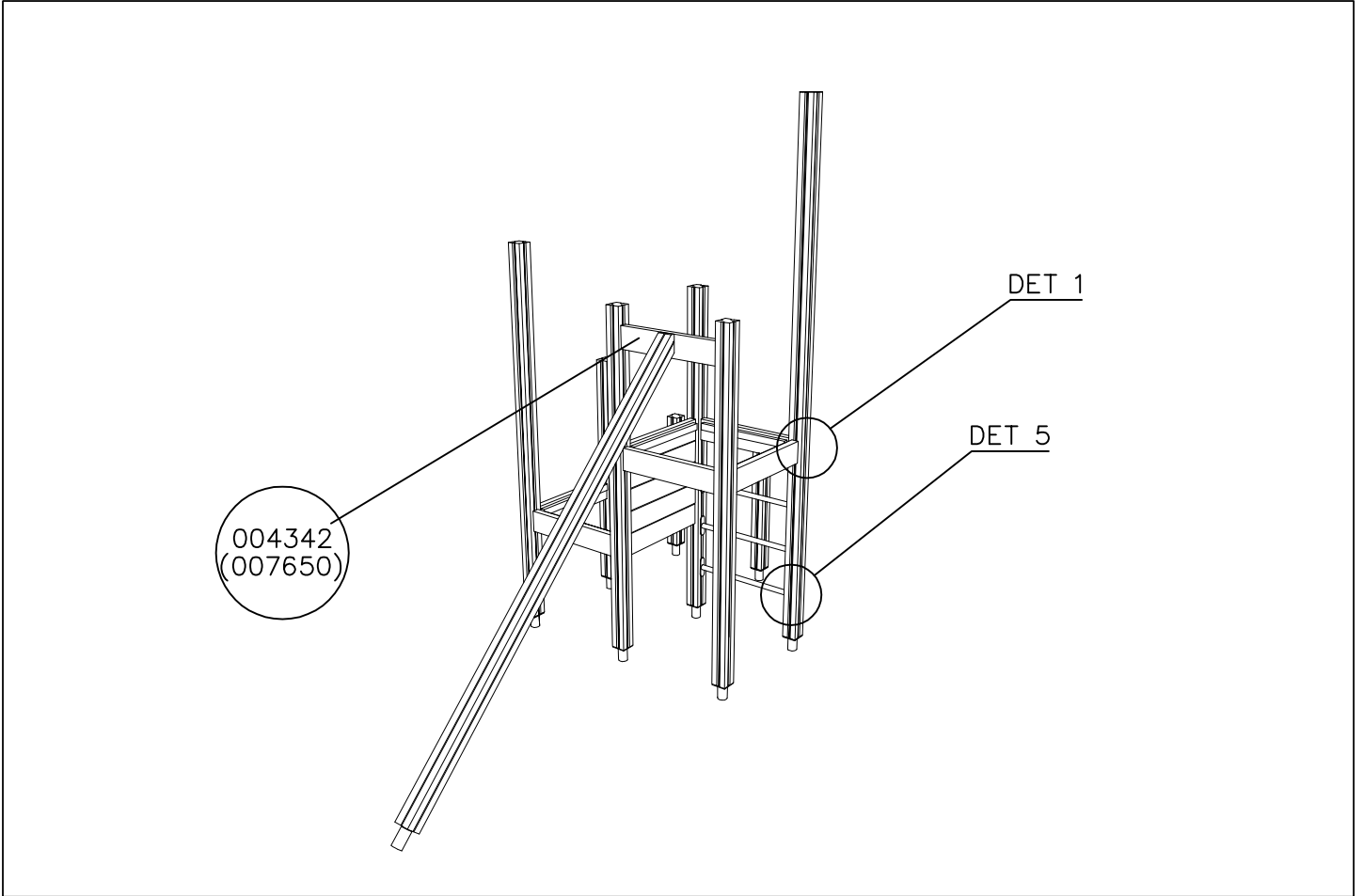


001845 L 704	PCS 1	003614 L 1050	PCS 1	003618 L 1650	PCS 1	005695 L 704	PCS 3	006810 L 1050	PCS 2	006816 L 1650	PCS 1
006822 L 2250	PCS 3	006825 L 2550	PCS 1	006834 L 3450	PCS 1	007650 L 704	PCS 1	008572 L 1050	PCS 1	008701 L 1650	PCS 2
008790 L 704	PCS 2	008875 GREEN	PCS 1	008876 BLUE	PCS 1	905051 Ø24/8.4	PCS 12	905083 Ø32	PCS 18	905104 M10	PCS 36
905112 Ø22	PCS 18	905120 Ø14	PCS 16	905137 YELLOW	PCS 8	905195 YELLOW	PCS 8	909217 8x70	PCS 18	909238 8x90	PCS 12
909521 L 704	PCS 9	909540 L 1050	PCS 2	909543 L 1650	PCS 3	909575 L 704	PCS 2	980131 6x60	PCS 32	980151 Ø16/8.4	PCS 18
	PCS		PCS		PCS		PCS		PCS		PCS
	PCS		PCS		PCS		PCS		PCS		PCS



EN Impact Area 39.1 m²





<p>DET 1</p>	<p>DET 2</p>	<p>DET 3</p>	<p>DET 4</p>
<p>DET 5</p>	<p>DET 6</p>		

