

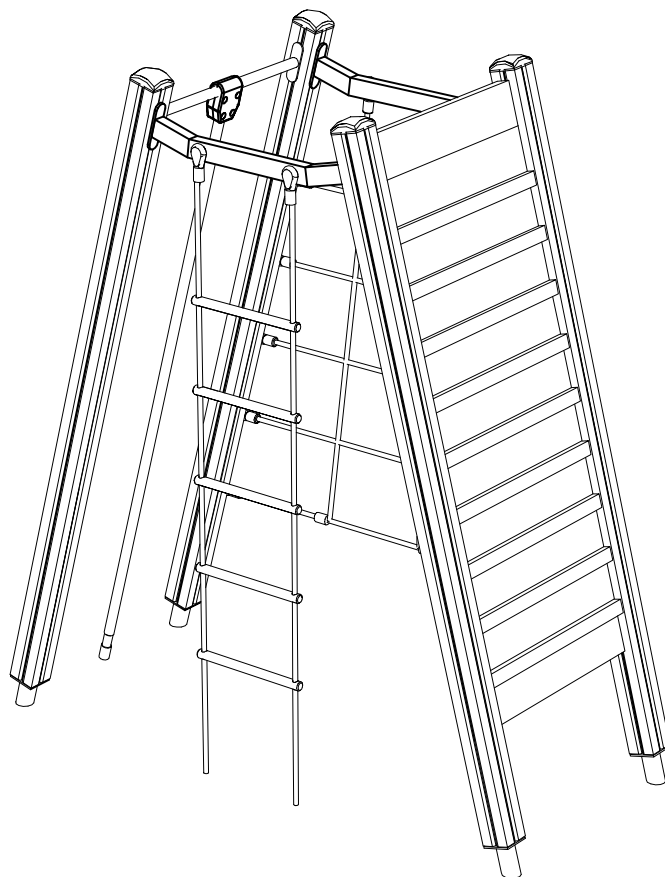
LAPPSET®

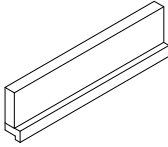
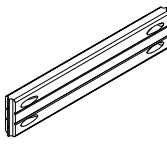

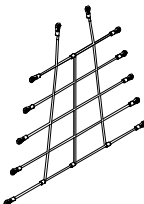

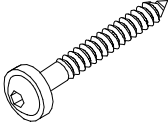





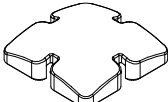
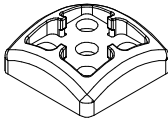
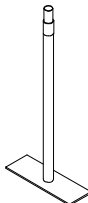

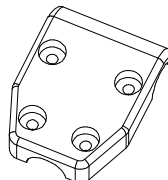

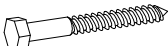
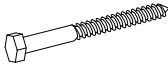

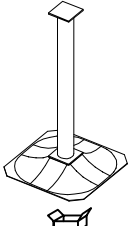
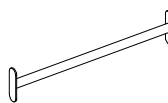




FOREST

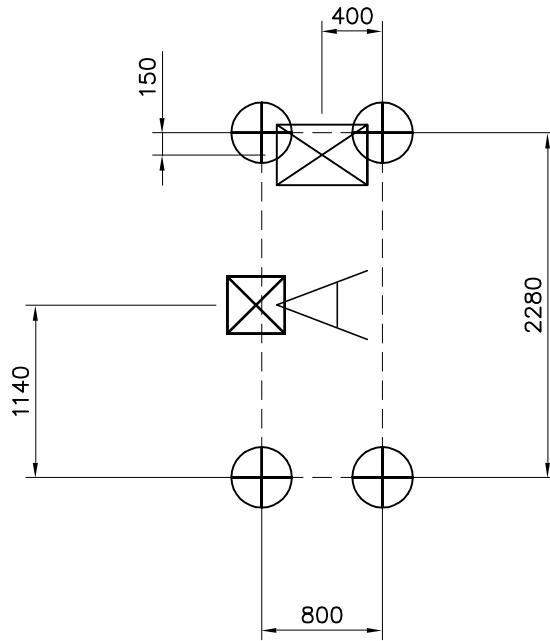
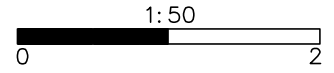
ASENNUSOHJE
MONTERINGSANSVISNING
INSTALLATION INSTRUCTION
AUFBAUANLEITUNG
NOTICE D'INSTALLATION

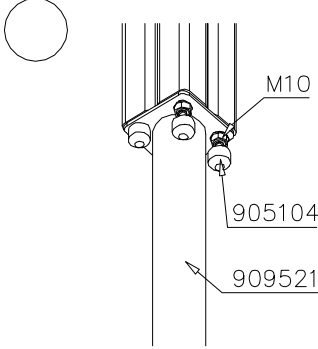
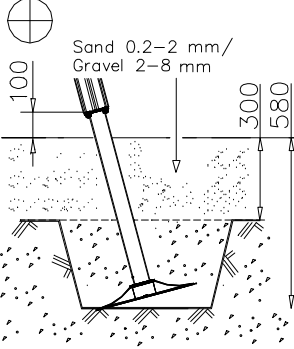
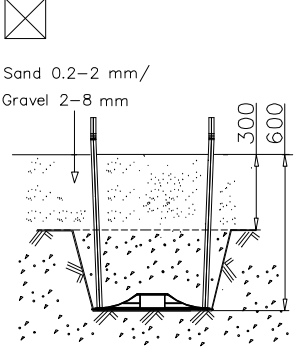
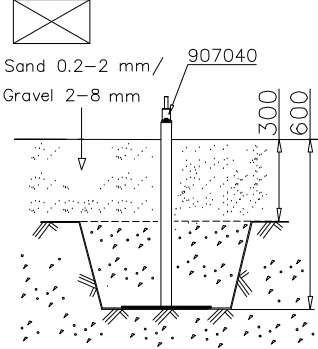
REF: 138070
DATE: 1.4.2005

138070

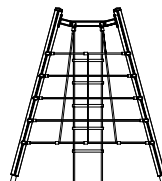
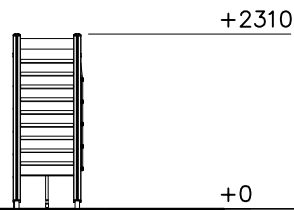
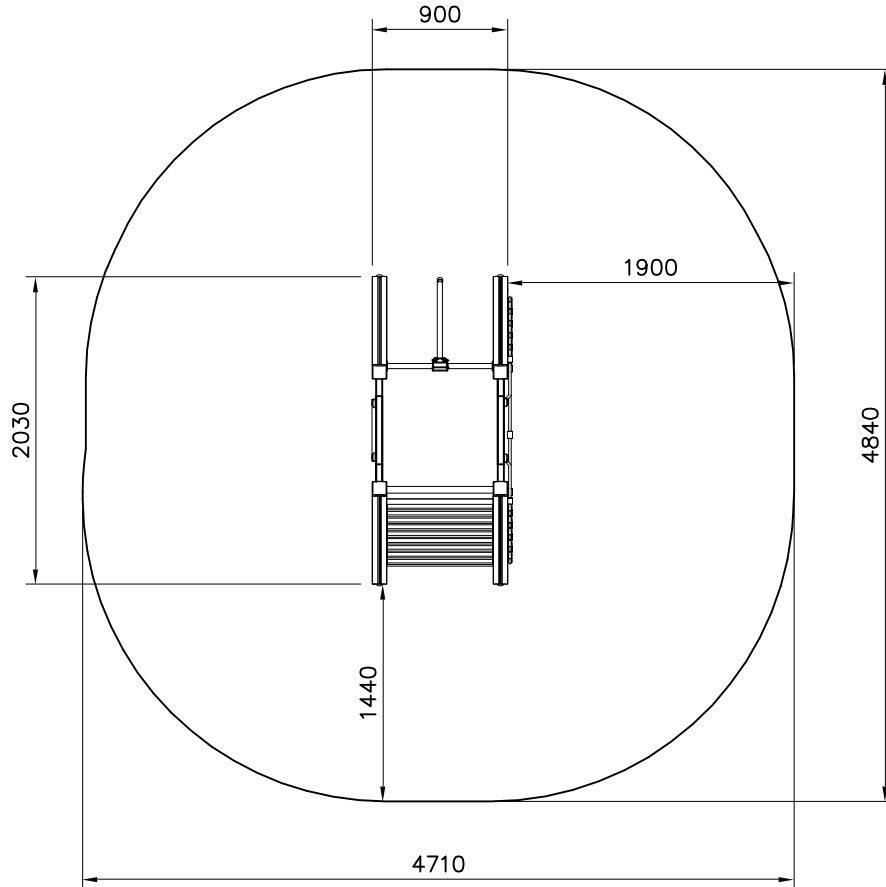
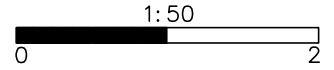


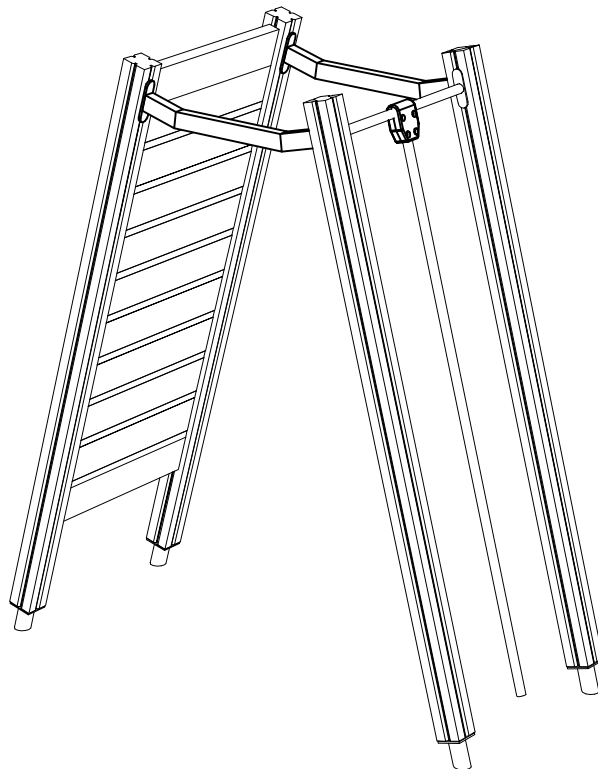
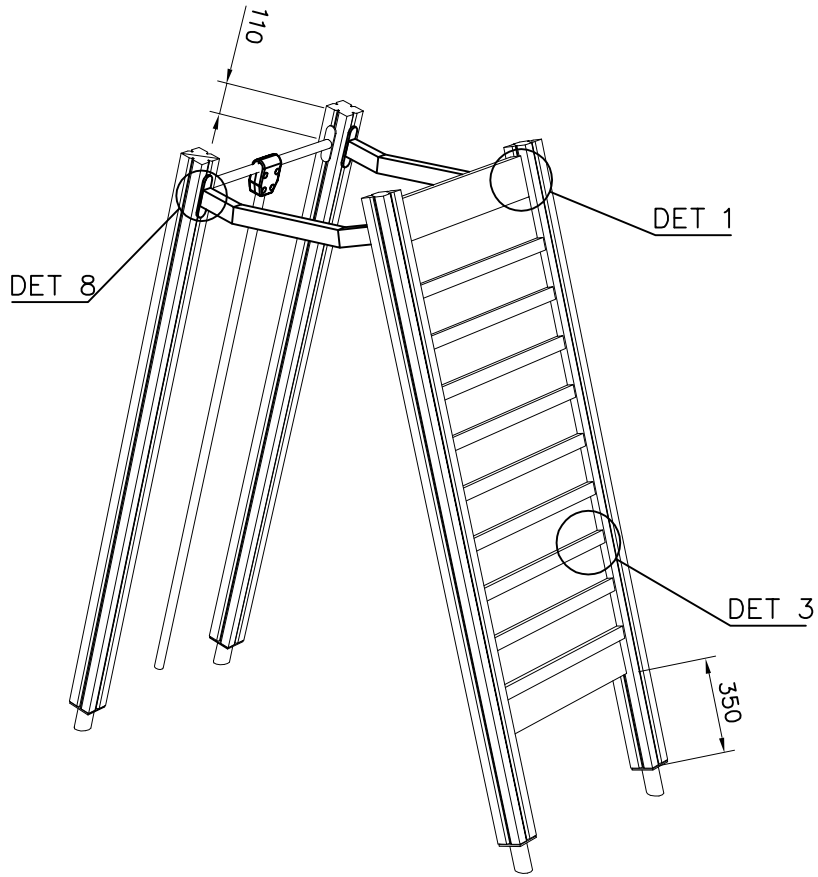
005606  L 704	PCS 9	005695  L 704	PCS 2	006822  L 2250	PCS 4	007552 	PCS 1	008922 	PCS 1	900240  8x70	PCS 12
905051  Ø24/8.4	PCS 44	905083  Ø32	PCS 4	905104  M10	PCS 16	905112  Ø22	PCS 26	905120  Ø14	PCS 8	905137  YELLOW	PCS 4
905195  YELLOW	PCS 4	907040 	PCS 1	907044  L 2090	PCS 1	909072 	PCS 2	909210  8x40	PCS 4	909217  8x70	PCS 10
909238  8x90	PCS 44	909267  8x70	PCS 4	909521  L 705	PCS 4	909543  L 705	PCS 1	909555 	PCS 2	980131  6x60	PCS 16
980150  M8	PCS 8	980151  Ø16/8.4	PCS 26		PCS		PCS		PCS		PCS
	PCS		PCS		PCS		PCS		PCS		PCS
	PCS		PCS		PCS		PCS		PCS		PCS



 <p>M10 905104 909521</p>	 <p>Sand 0.2-2 mm/ Gravel 2-8 mm</p> <p>100 300 580</p>	 <p>Sand 0.2-2 mm/ Gravel 2-8 mm</p> <p>300 600</p>
 <p>Sand 0.2-2 mm/ Gravel 2-8 mm</p> <p>907040</p> <p>300 600</p>		

EN Impact Area 19.2 m²





<p>DET 1</p>	<p>DET 2</p>	<p>DET 3</p>	<p>DET 4</p>
<p>DET 5</p>	<p>DET 6</p>	<p>DET 7</p>	<p>DET 8</p>
<p>DET 9</p>			

