

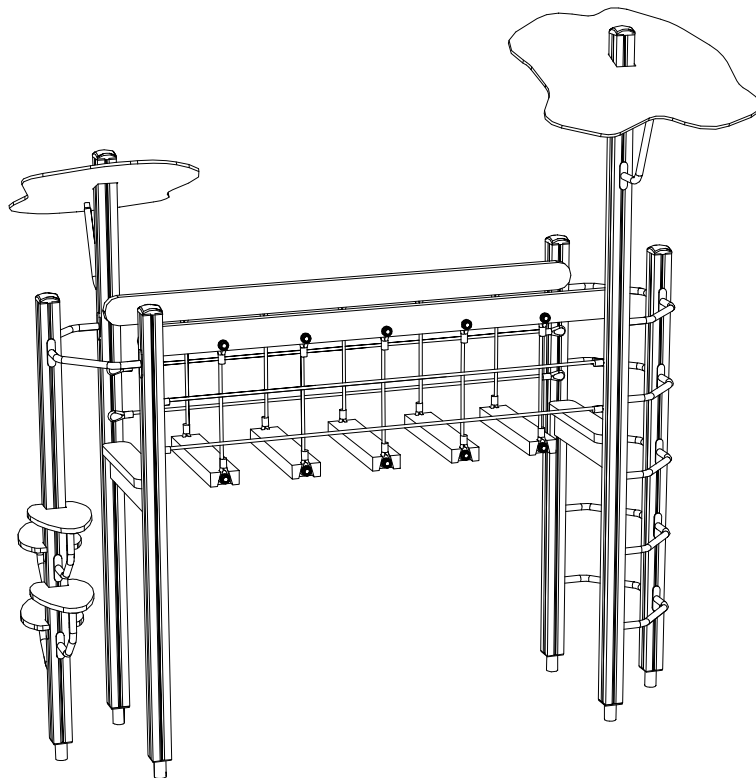
LAPPSET®

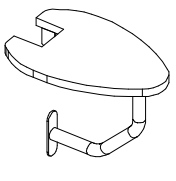



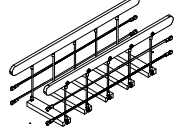
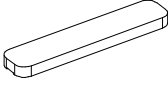
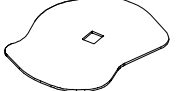
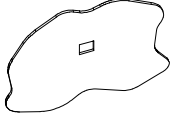
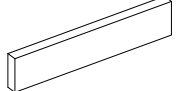
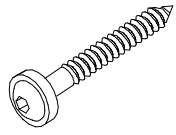

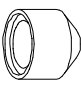
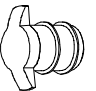
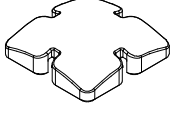
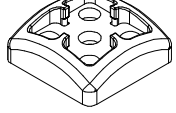
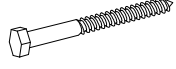
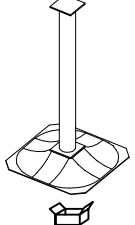
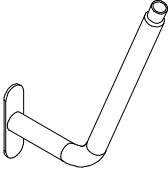
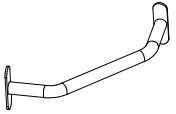

FOREST

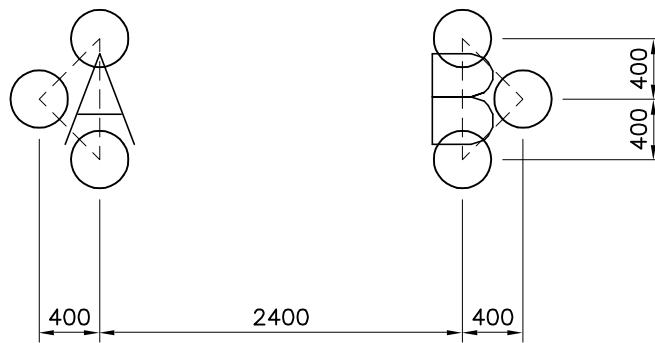
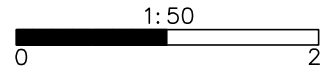
ASENNUSOHJE
MONTERINGSANSVISNING
INSTALLATION INSTRUCTION
AUFBAUANLEITUNG
NOTICE D'INSTALLATION

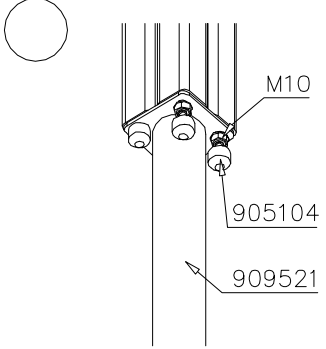
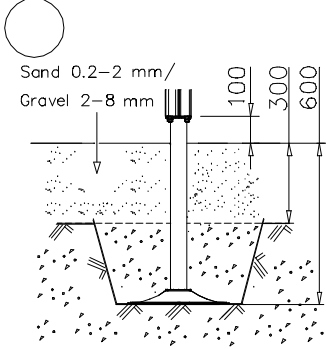
REF: 138071
DATE: 1.4.2005

138071

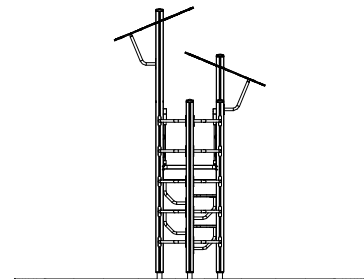
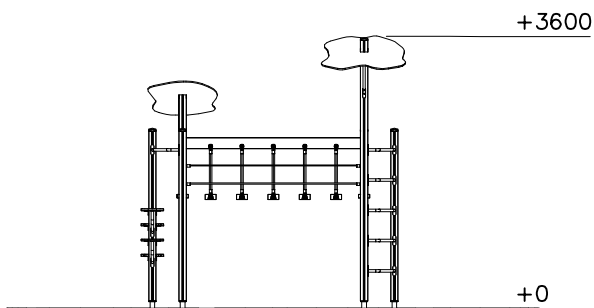
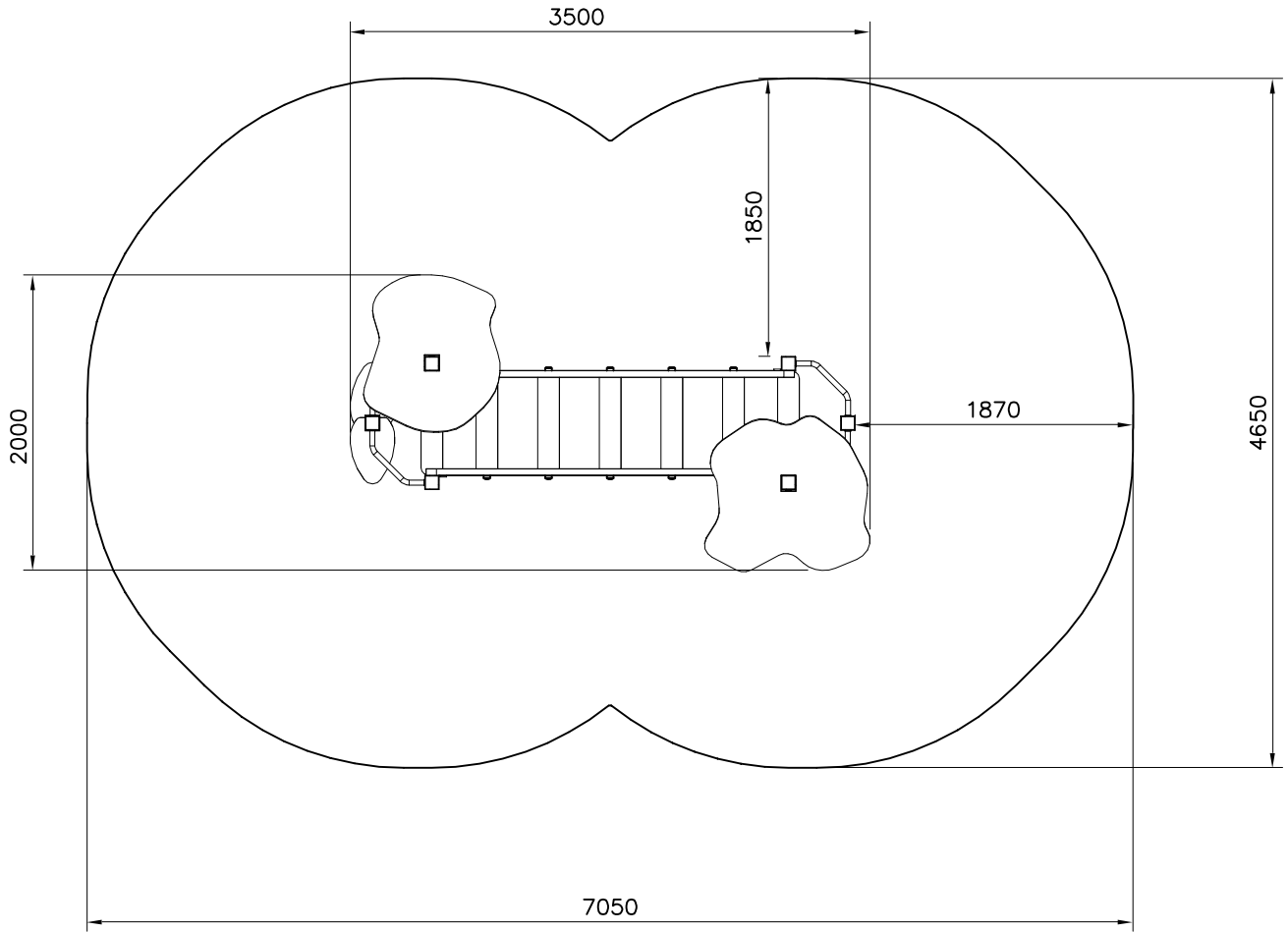
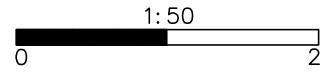


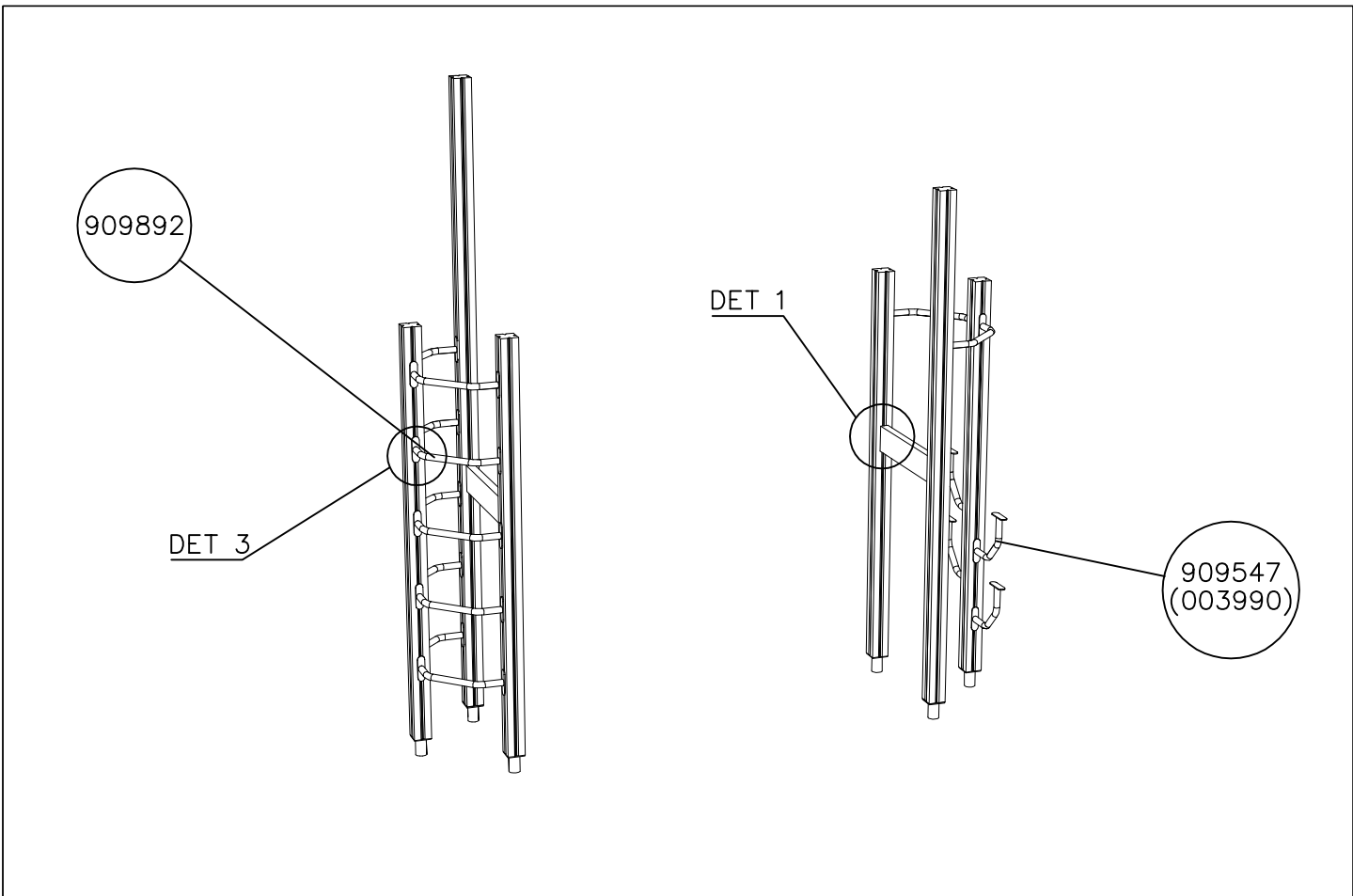
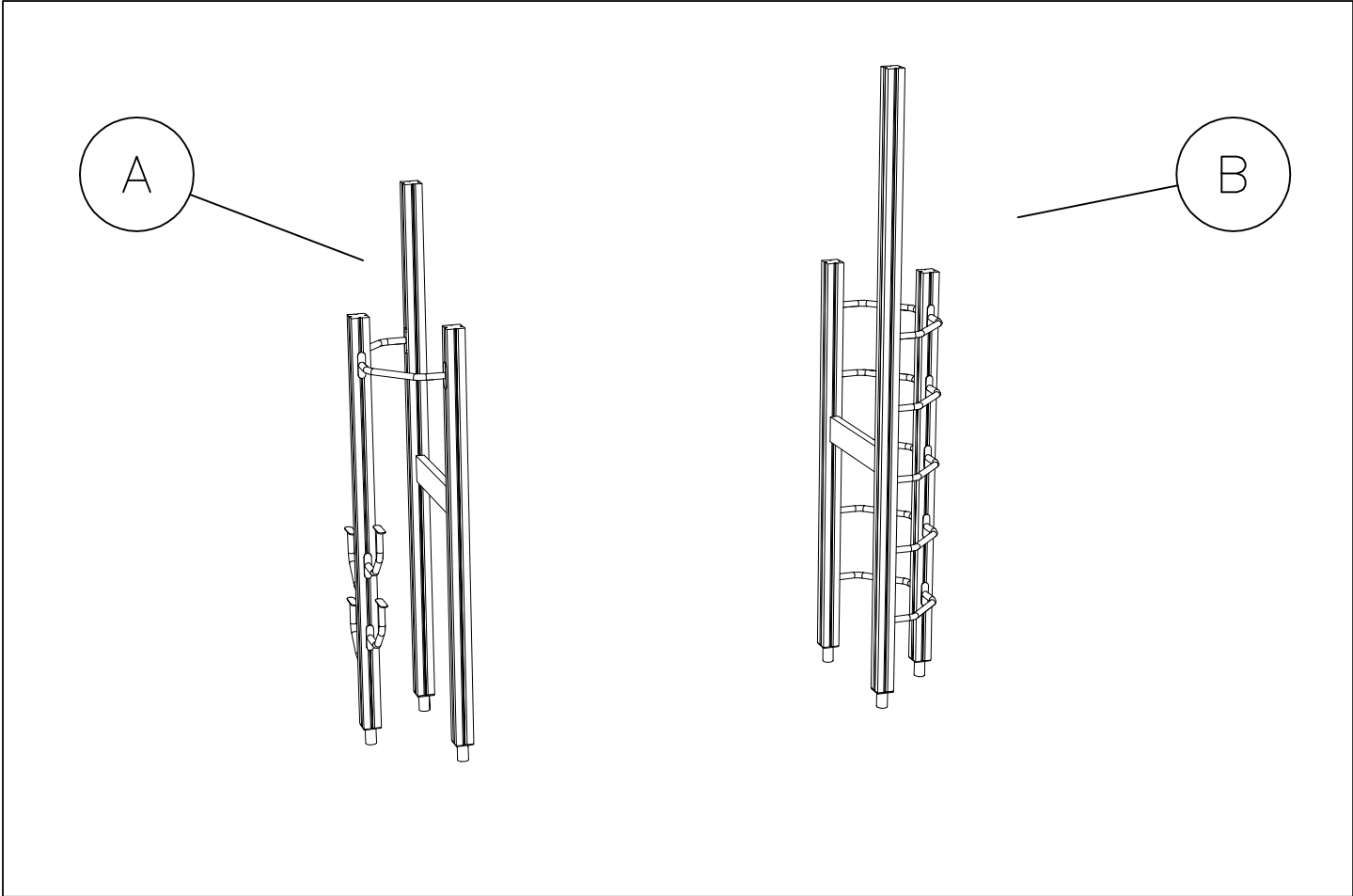
003990	PCS 4	006822	PCS 4	006828	PCS 1	006834	PCS 1	007127	PCS 1	007333	PCS 2
											
		L 2250		L 2850		L 3450					
008875	PCS 1	008876	PCS 1	008940	PCS 2	900240	PCS 48	905051	PCS 8	905104	PCS 24
											
GREEN		BLUE		L 704		8x70		Ø24/8.4		M10	
905120	PCS 12	905137	PCS 6	905195	PCS 6	909238	PCS 8	909521	PCS 6	909575	PCS 2
											
Ø14		YELLOW		YELLOW		8x90					
909892	PCS 12	980131	PCS 24		PCS		PCS		PCS		PCS
											
		6x60									
	PCS		PCS		PCS		PCS		PCS		PCS
	PCS		PCS		PCS		PCS		PCS		PCS
	PCS		PCS		PCS		PCS		PCS		PCS

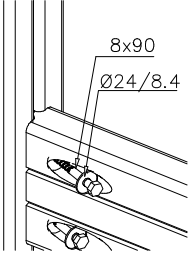
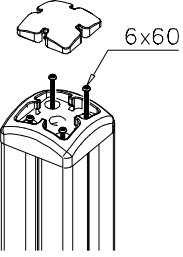
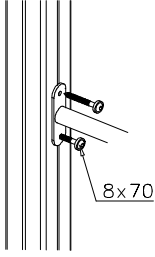


 <p>M10 905104 909521</p>	 <p>Sand 0.2-2 mm/ Gravel 2-8 mm</p> <p>100 300 600</p>	

EN Impact Area 27.8 m²





DET 1 	DET 2 	DET 3 	DET 4 