

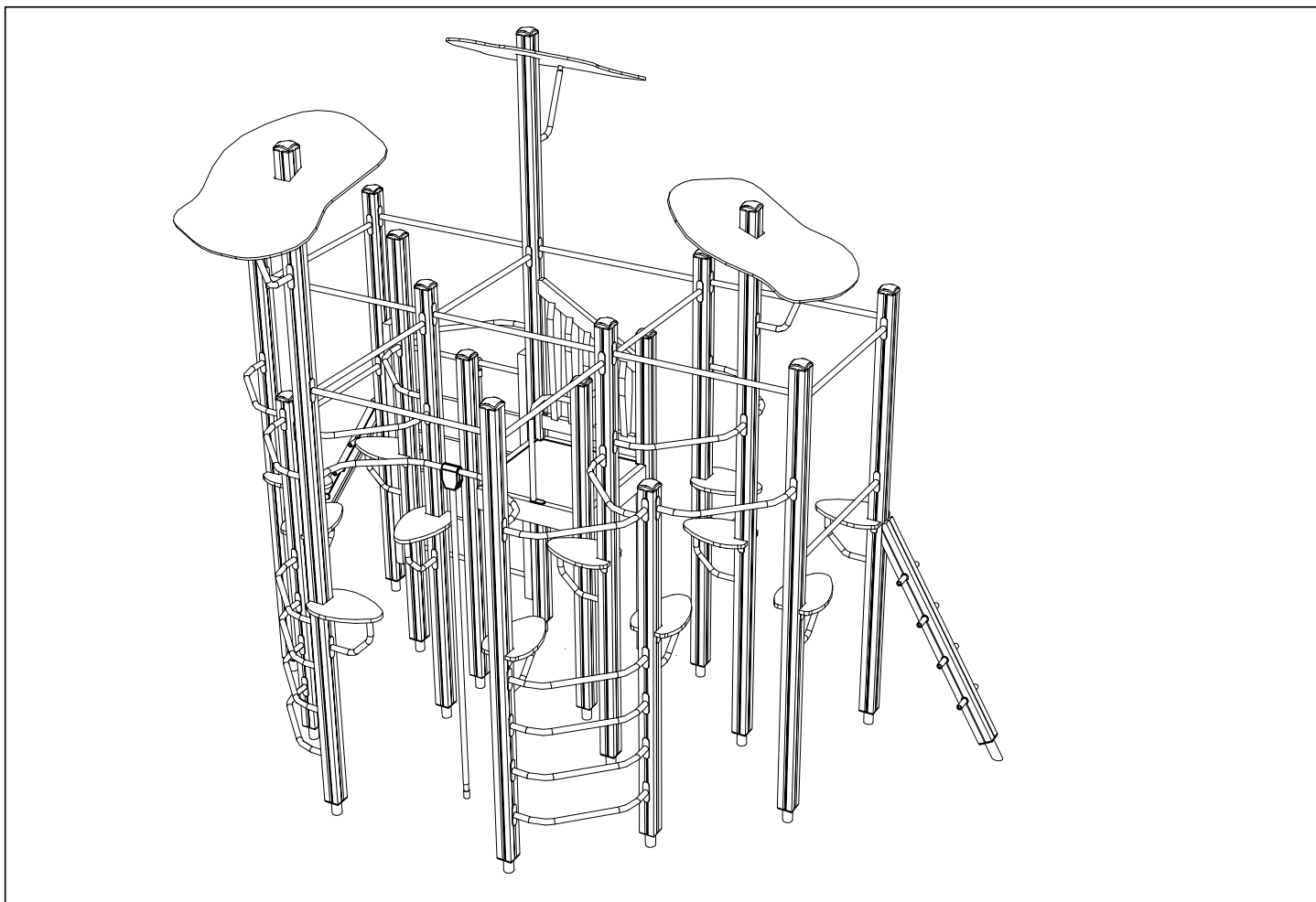
# **LAPPSET®**

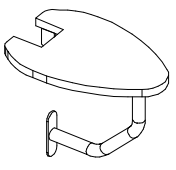

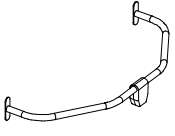


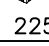

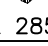

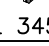

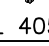
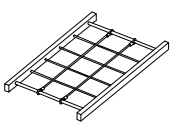

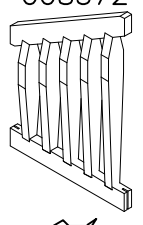

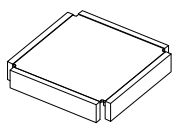





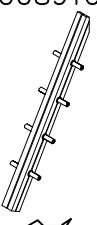

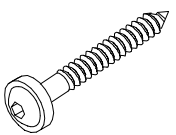
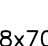
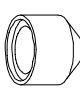
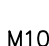

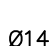
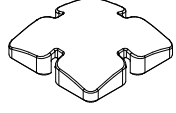
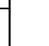
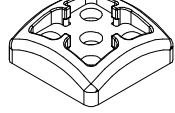
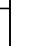

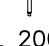
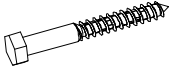
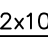
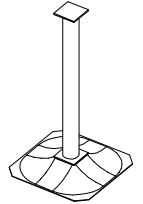


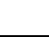
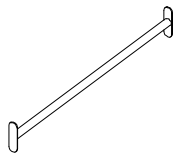
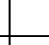
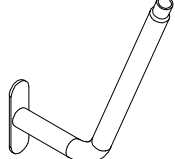
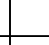
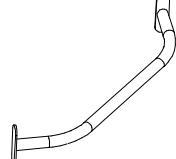
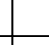

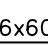

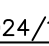
## **FOREST**

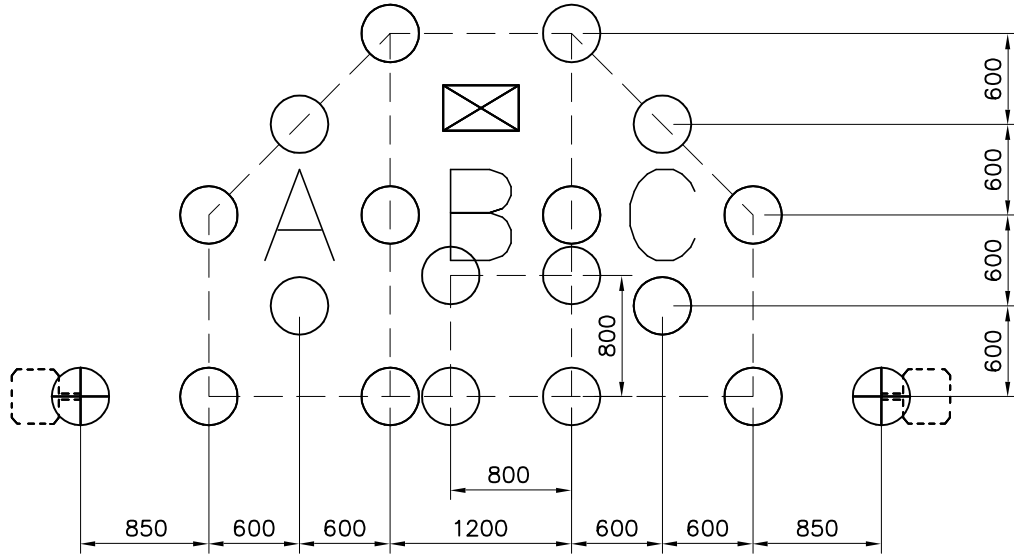
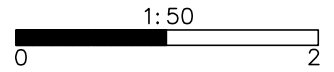
ASENNUSOHJE  
MONTERINGSANSVISNING  
INSTALLATION INSTRUCTION  
AUFBAUANLEITUNG  
NOTICE D'INSTALLATION

REF: 138074  
DATE: 1.4.2005

# **138074**

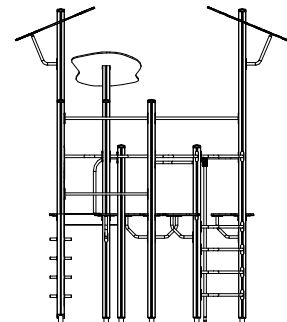
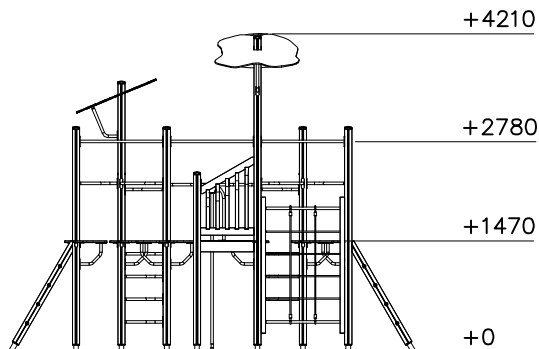
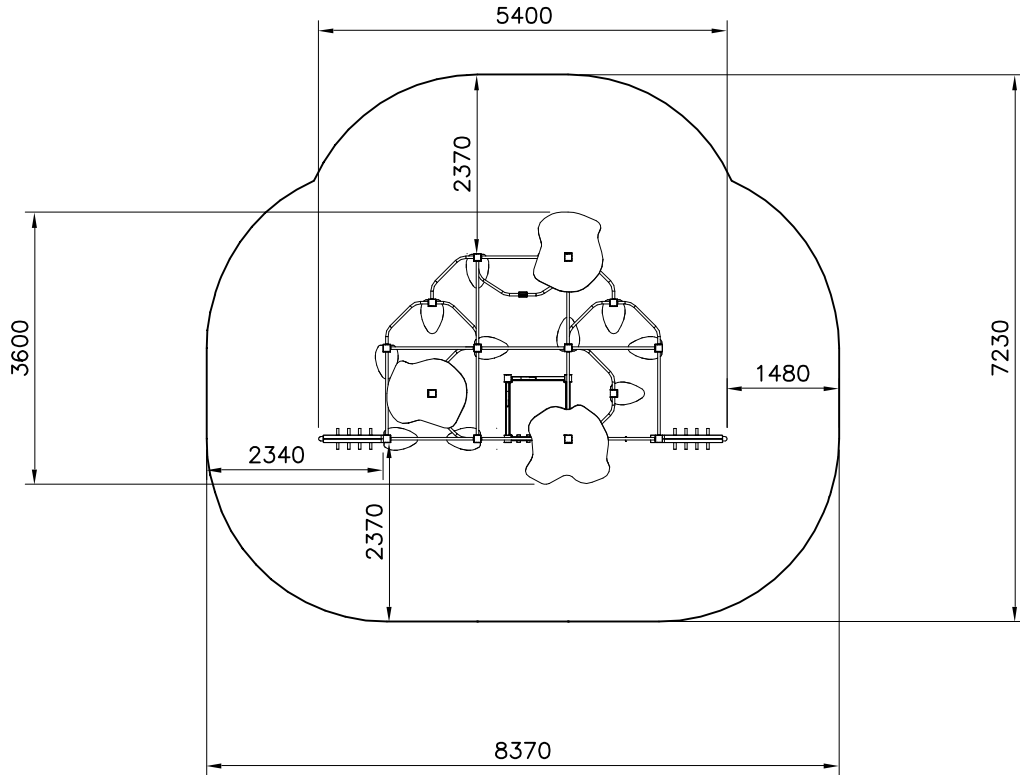
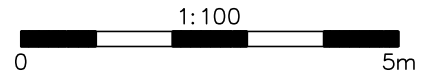


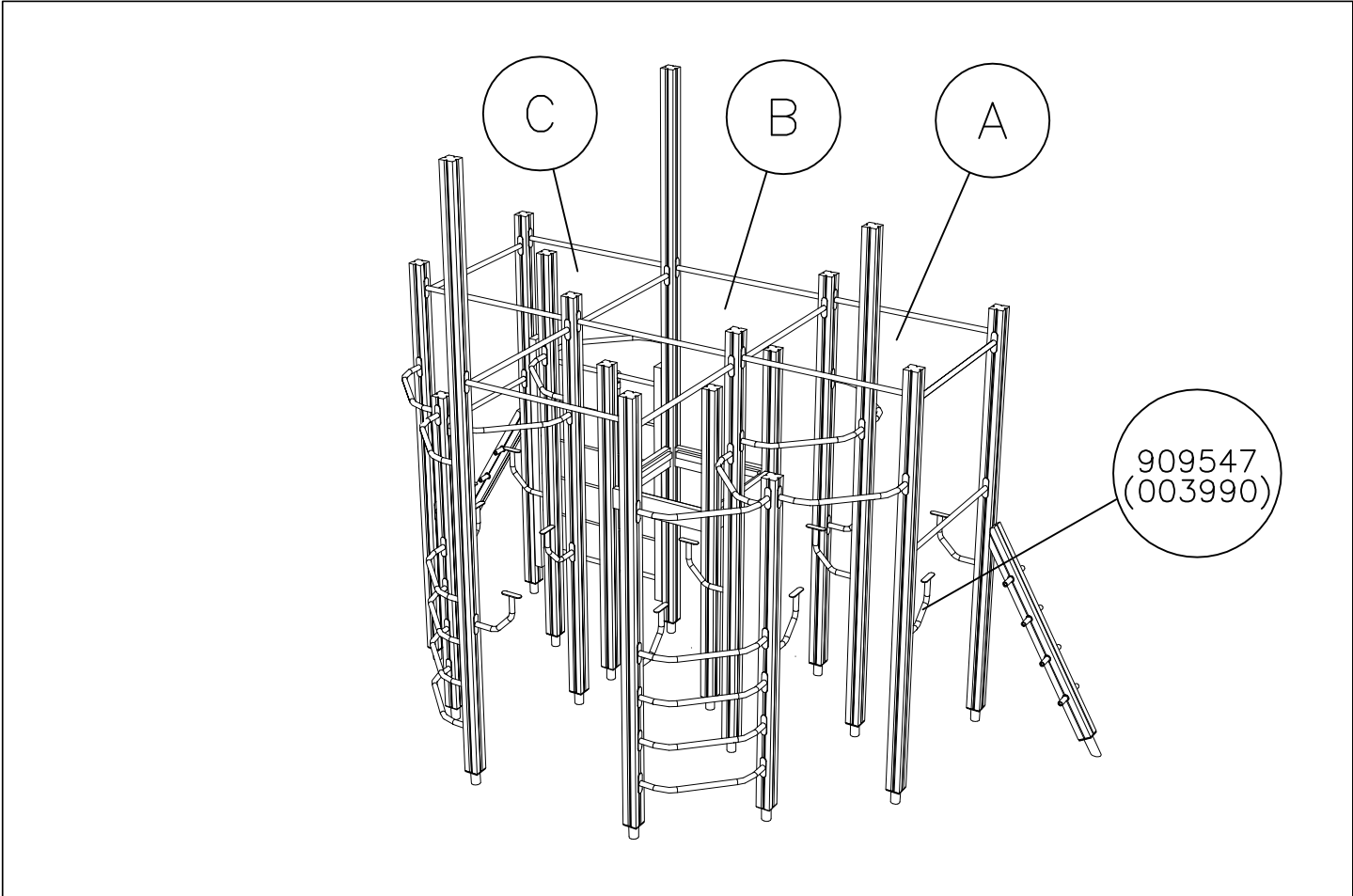
003990  12 	PCS	005077  1 	PCS	006822  L 2250 5 	PCS	006828  L 2850 9 	PCS	006834  L 3450 1 	PCS	006840  L 4050 2 	PCS
007841  1 	PCS	008572  1 	PCS	008701  1 	PCS	008875  GREEN 2 	PCS	008876  BLUE 1 	PCS	008910  2 	PCS
900240  8x70 138 	PCS	905104  M10 76 	PCS	905120  Ø14 34 	PCS	905137  YELLOW 17 	PCS	905195  YELLOW 17 	PCS	907044  L 2000 1 	PCS
909224  12x100 4 	PCS	909521  19 	PCS	909540  2 	PCS	909542  L 1104 15 	PCS	909575  3 	PCS	909893  18 	PCS
980131  6x60 68 	PCS	980154  Ø24/13 4 	PCS		PCS		PCS		PCS		PCS
	PCS		PCS		PCS		PCS		PCS		PCS
	PCS		PCS		PCS		PCS		PCS		PCS



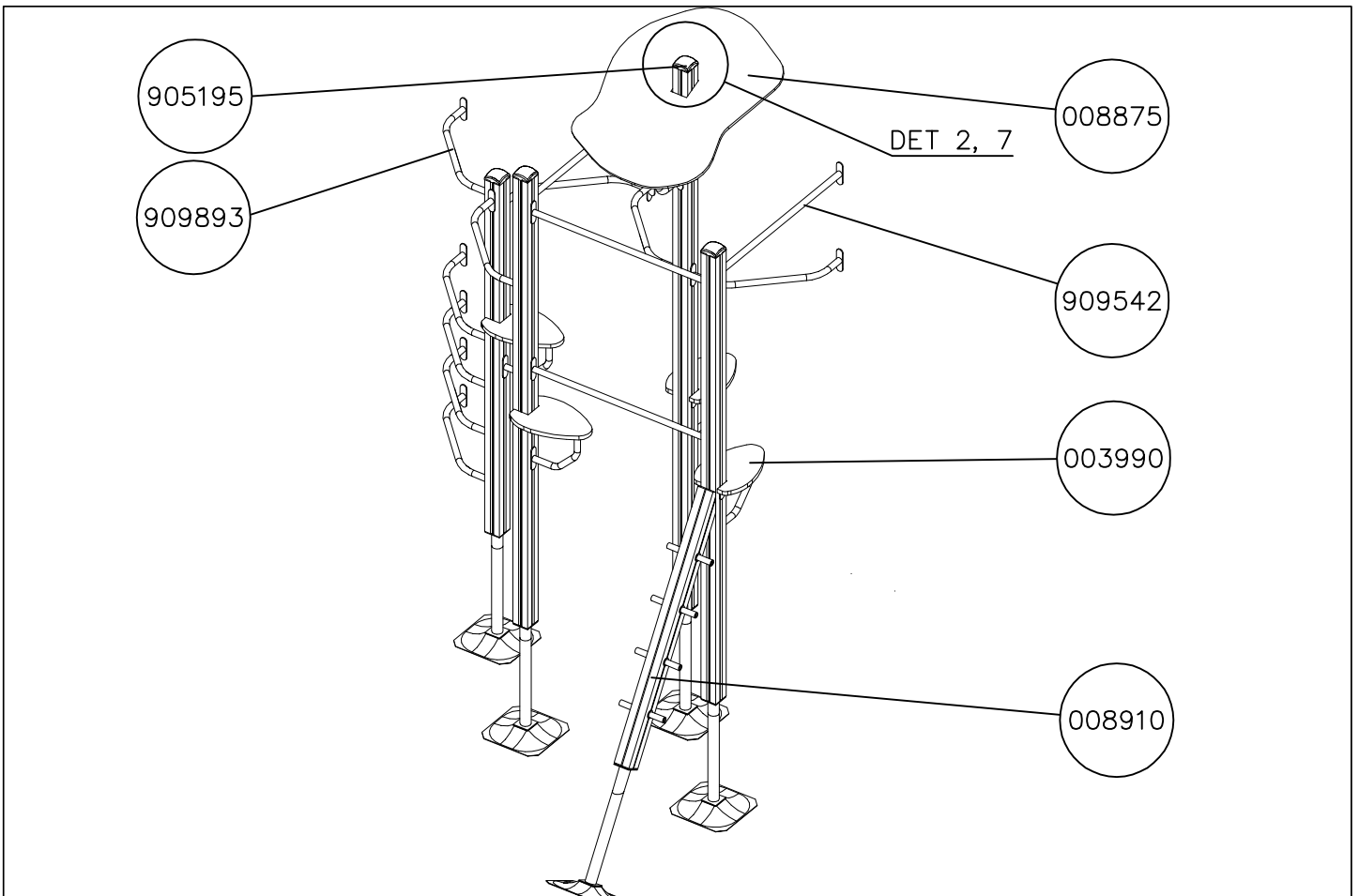
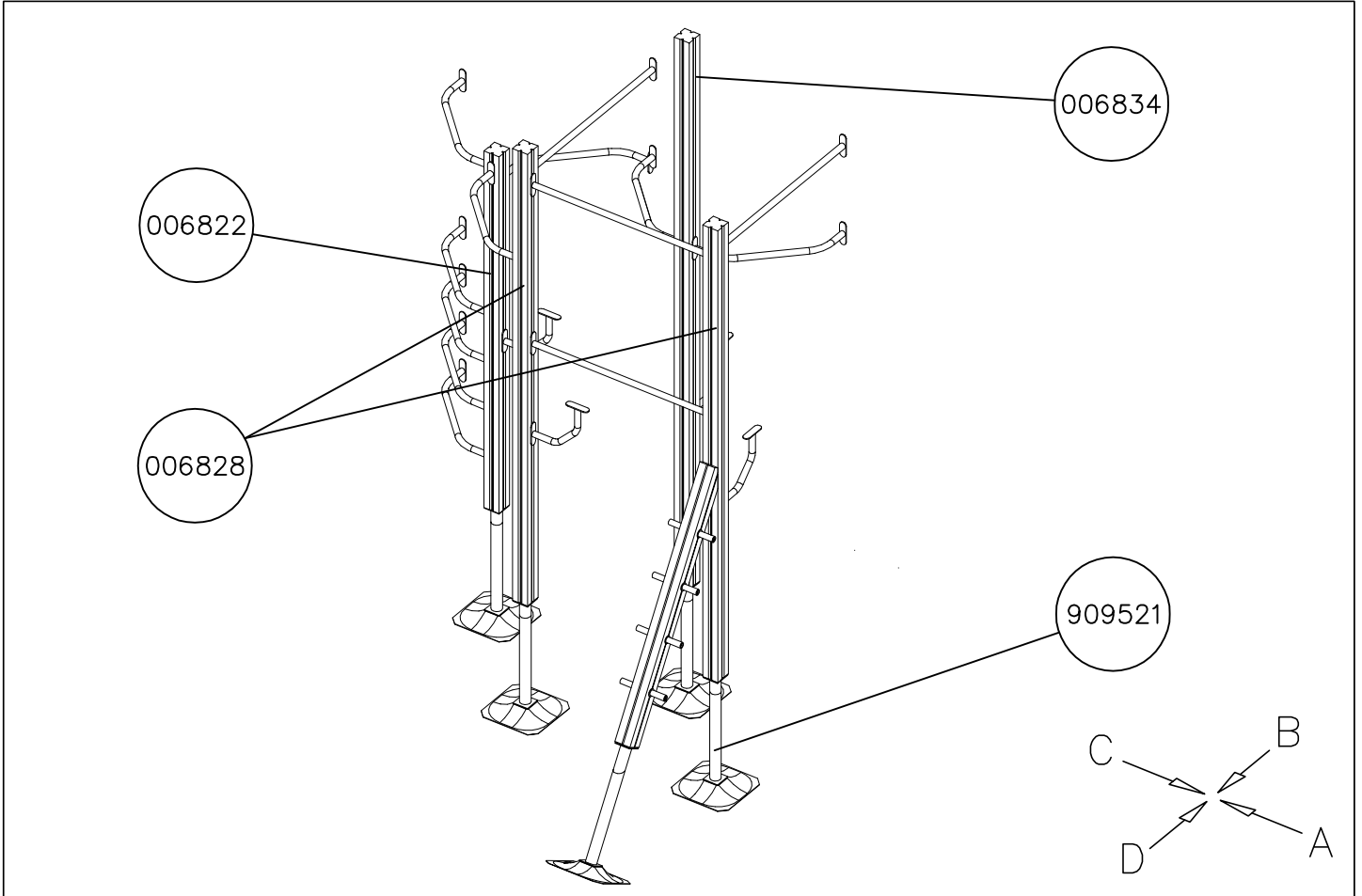
<p>M10          905104          909521</p>	<p>Sand 0.2-2 mm /          Gravel 2-8 mm</p> <p>100          300          600</p>	<p>Sand 0.2-2 mm /          Gravel 2-8 mm</p> <p>100          300          580</p>	<p>Sand 0.2-2 mm /          Gravel 2-8 mm</p> <p>907040</p> <p>300          600</p>
<p>Copyright Lappset Group Ltd</p>			

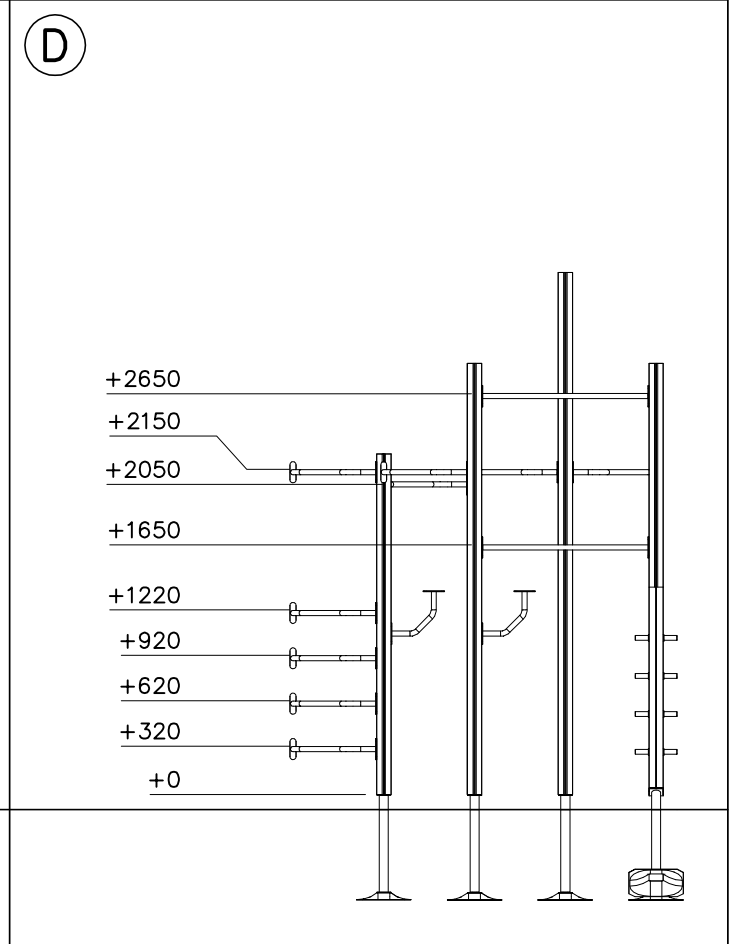
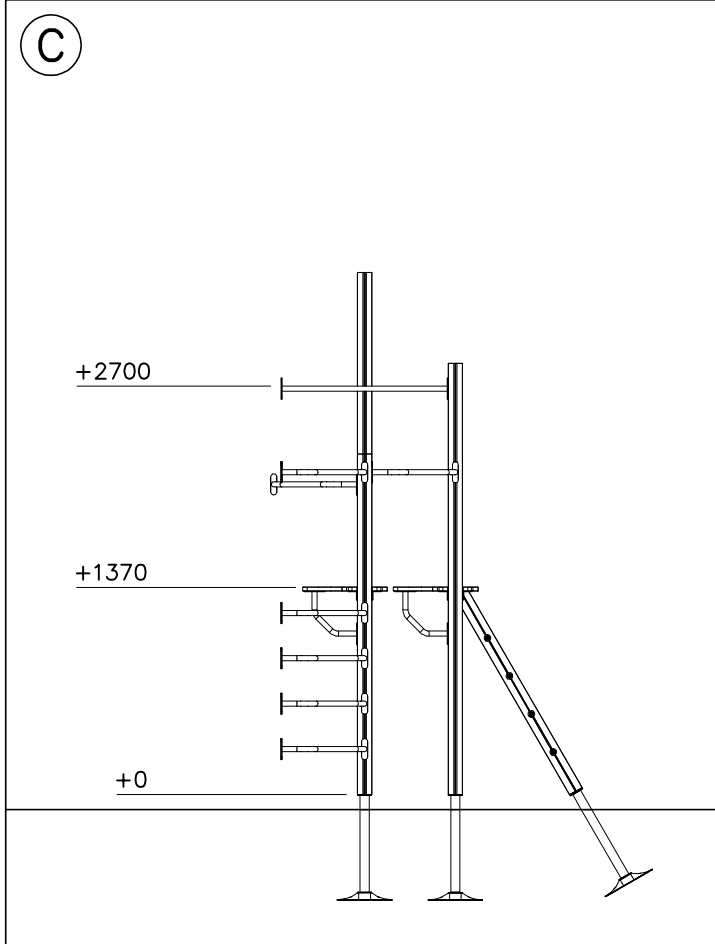
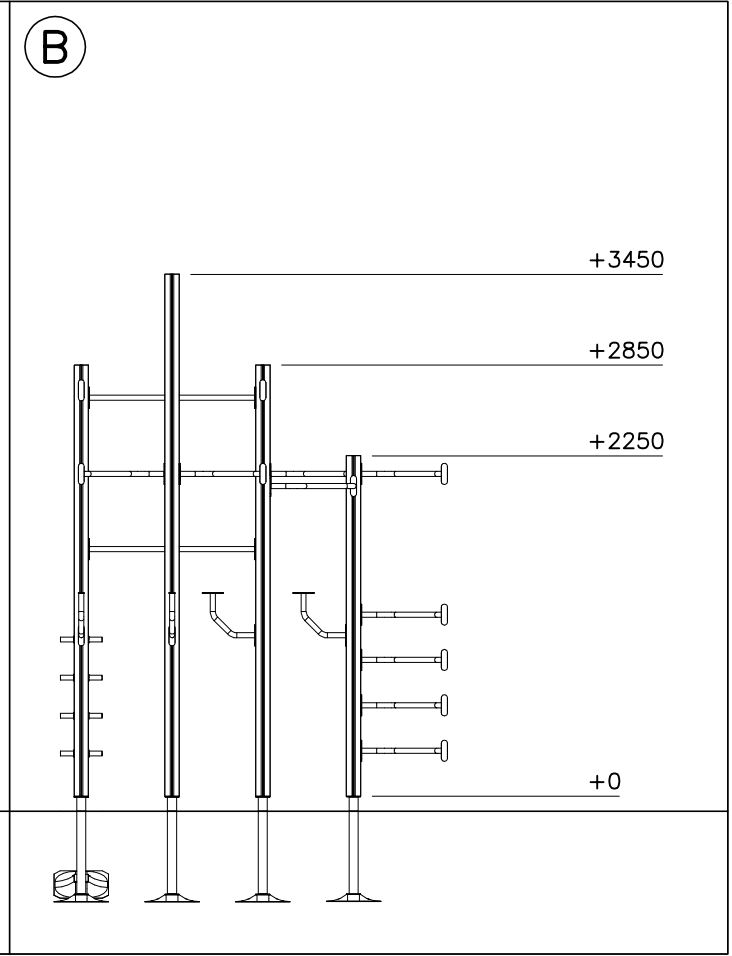
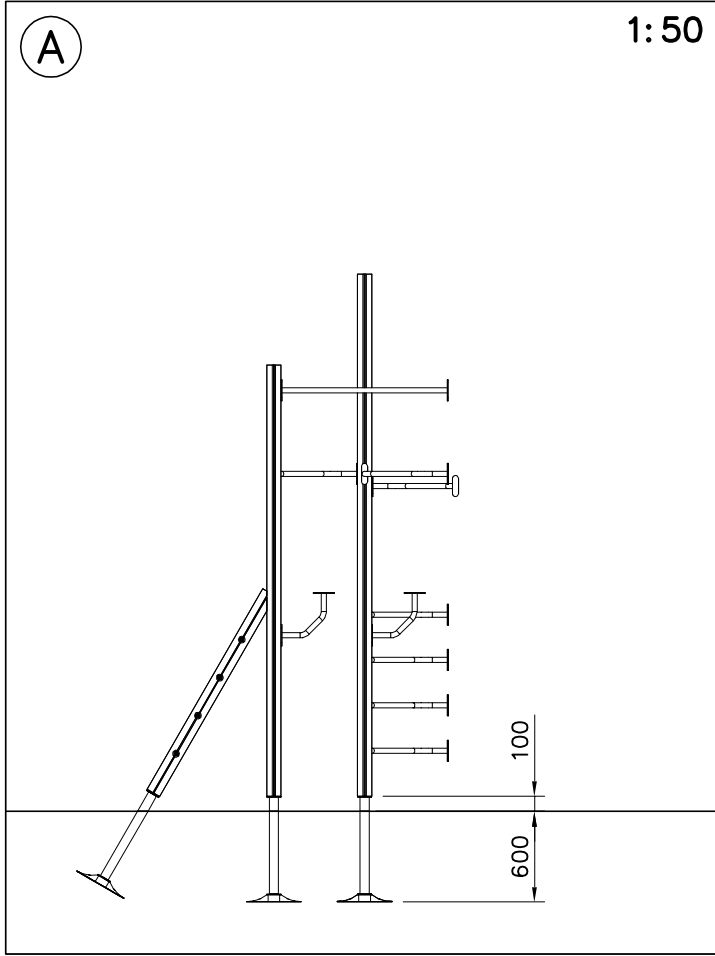
EN Impact Area 50.6 m<sup>2</sup>

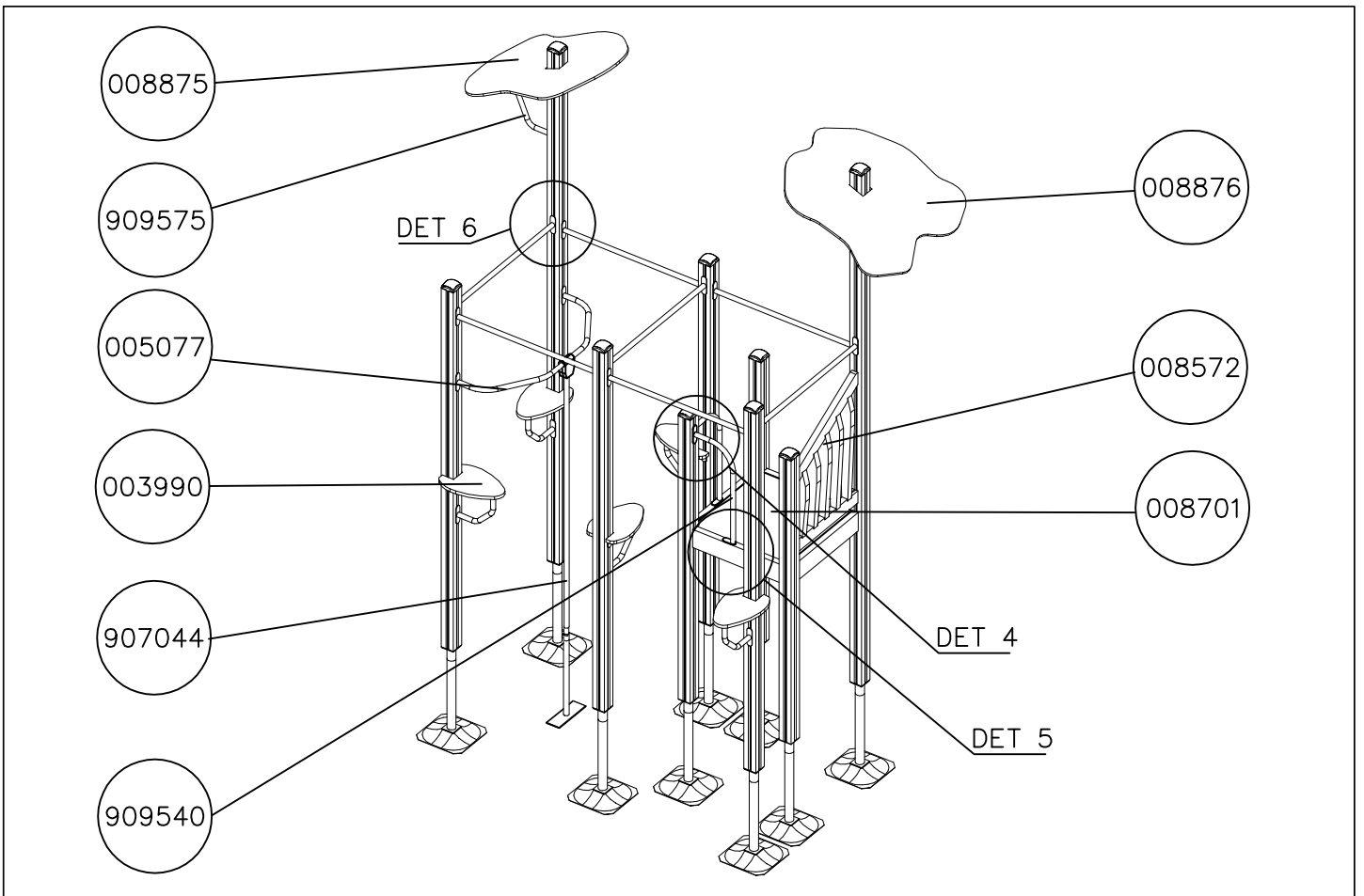
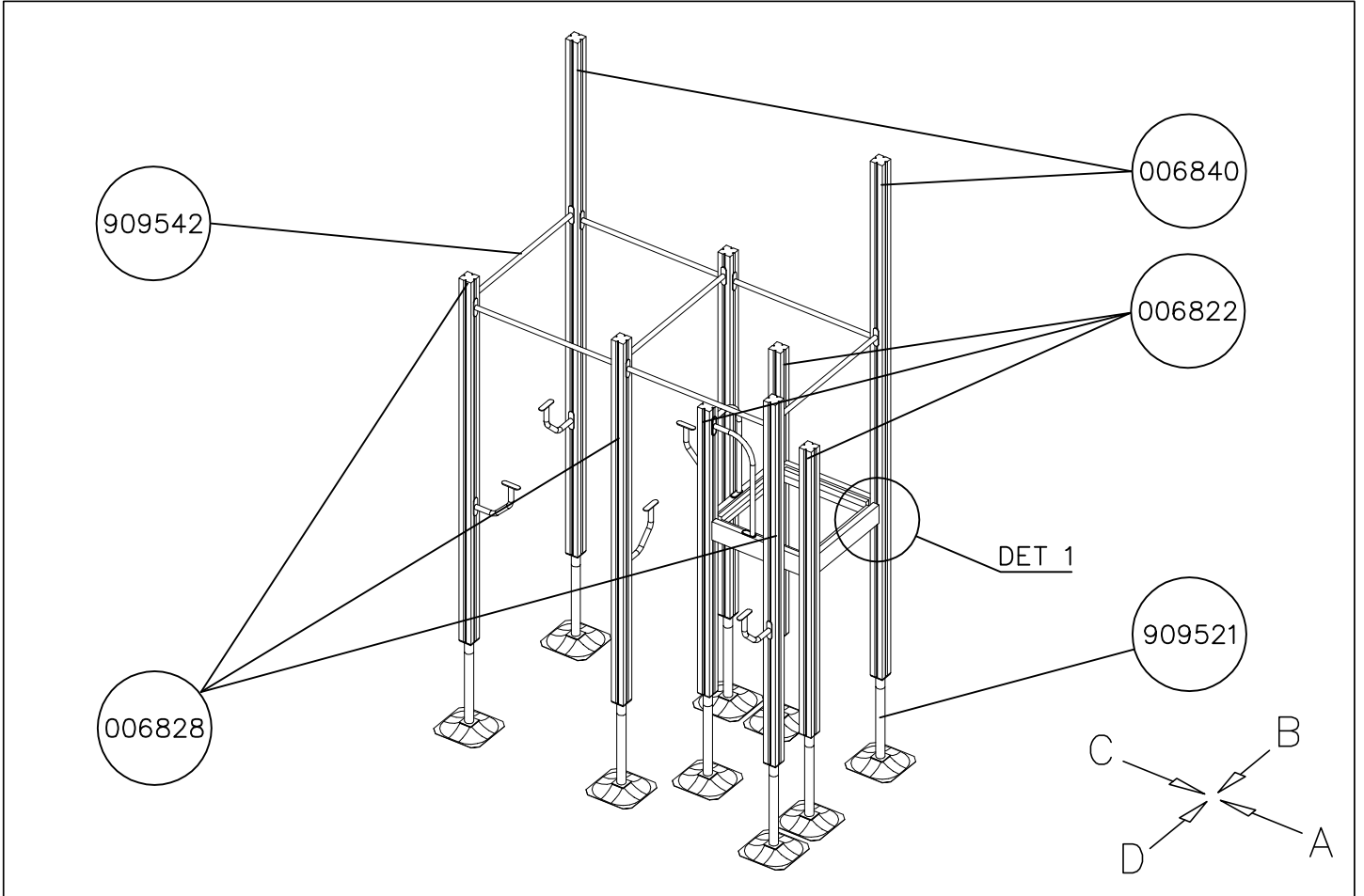




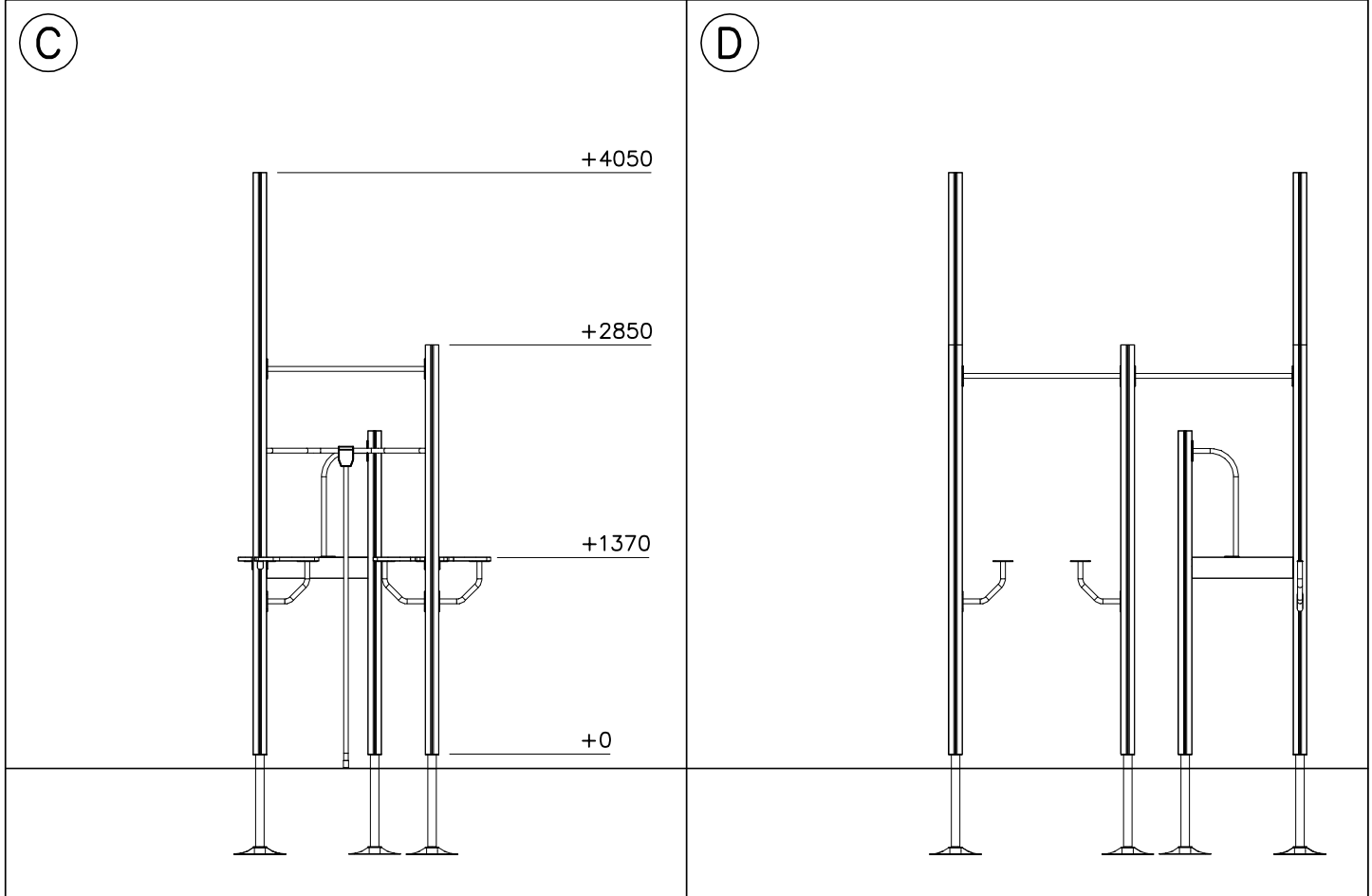
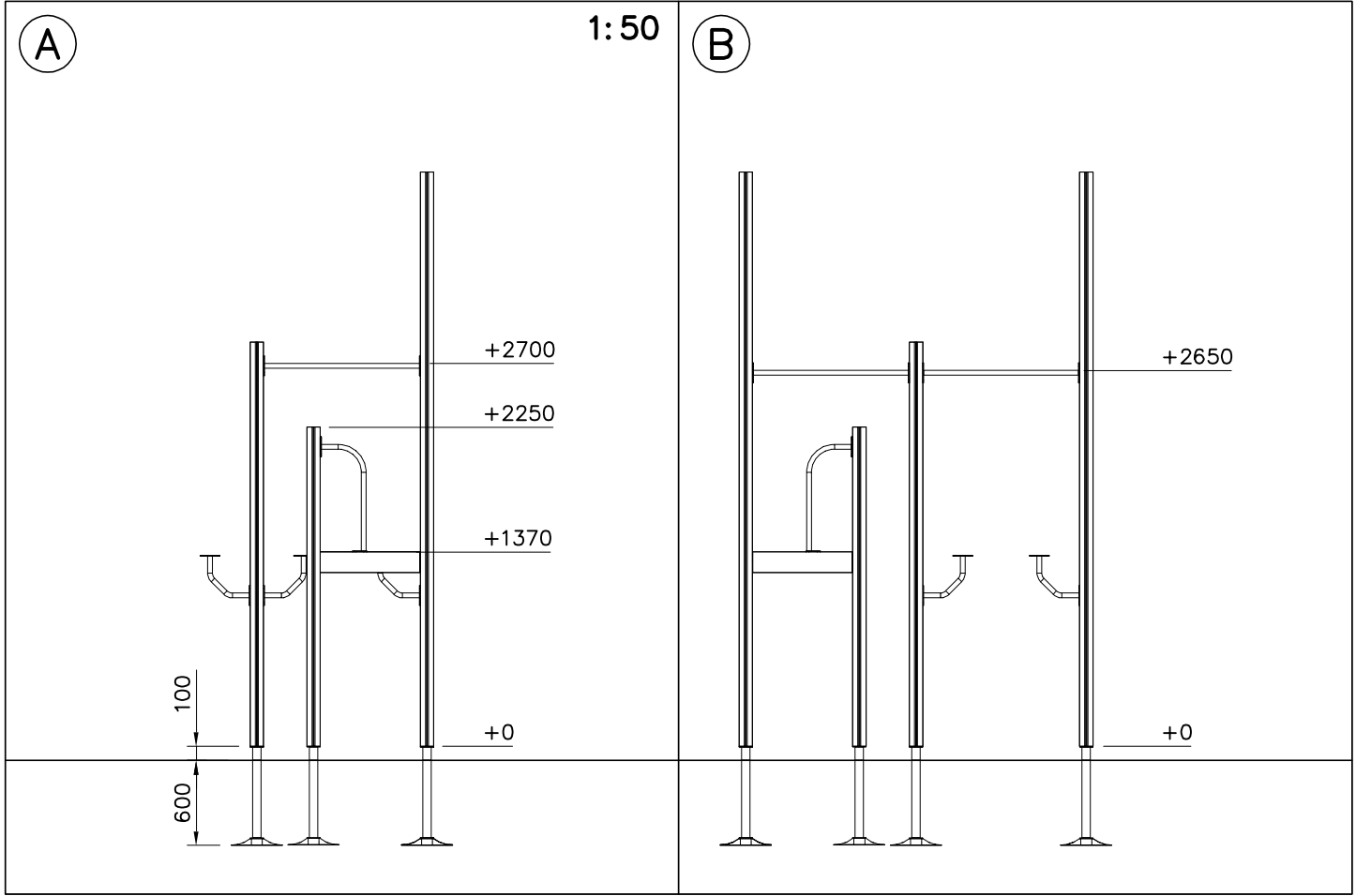
<p>DET 1</p> <p>8x90  <math>\text{Ø}24/8.4</math></p>	<p>DET 2</p> <p>6x60</p>	<p>DET 3</p> <p><math>\text{Ø}24/13</math>          12x100          7841</p>	<p>DET 4</p> <p>8x70</p>
<p>DET 5</p> <p>8x70</p>	<p>DET 6</p> <p>8x70</p>	<p>DET 7</p> <p>905120</p>	

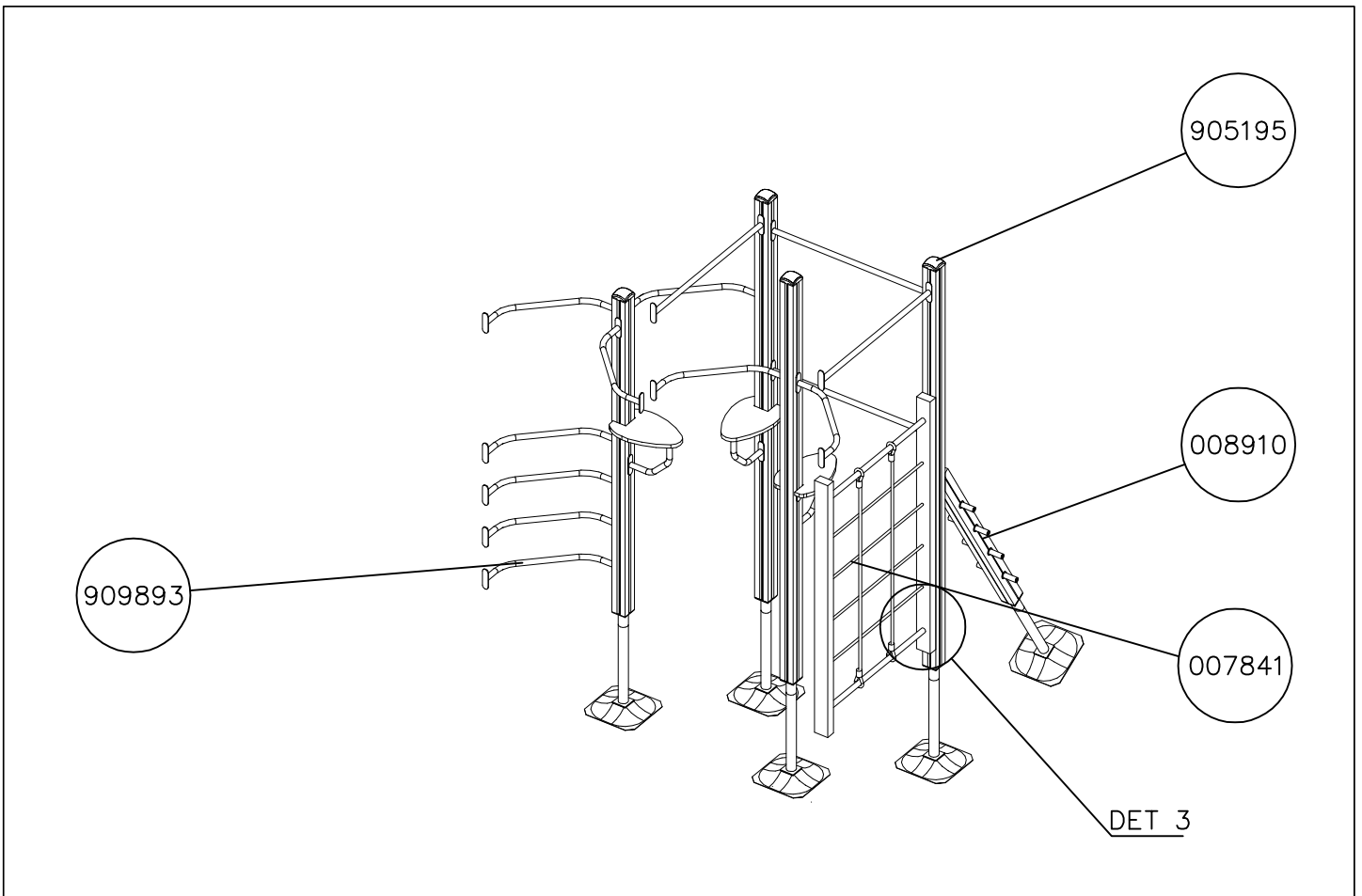
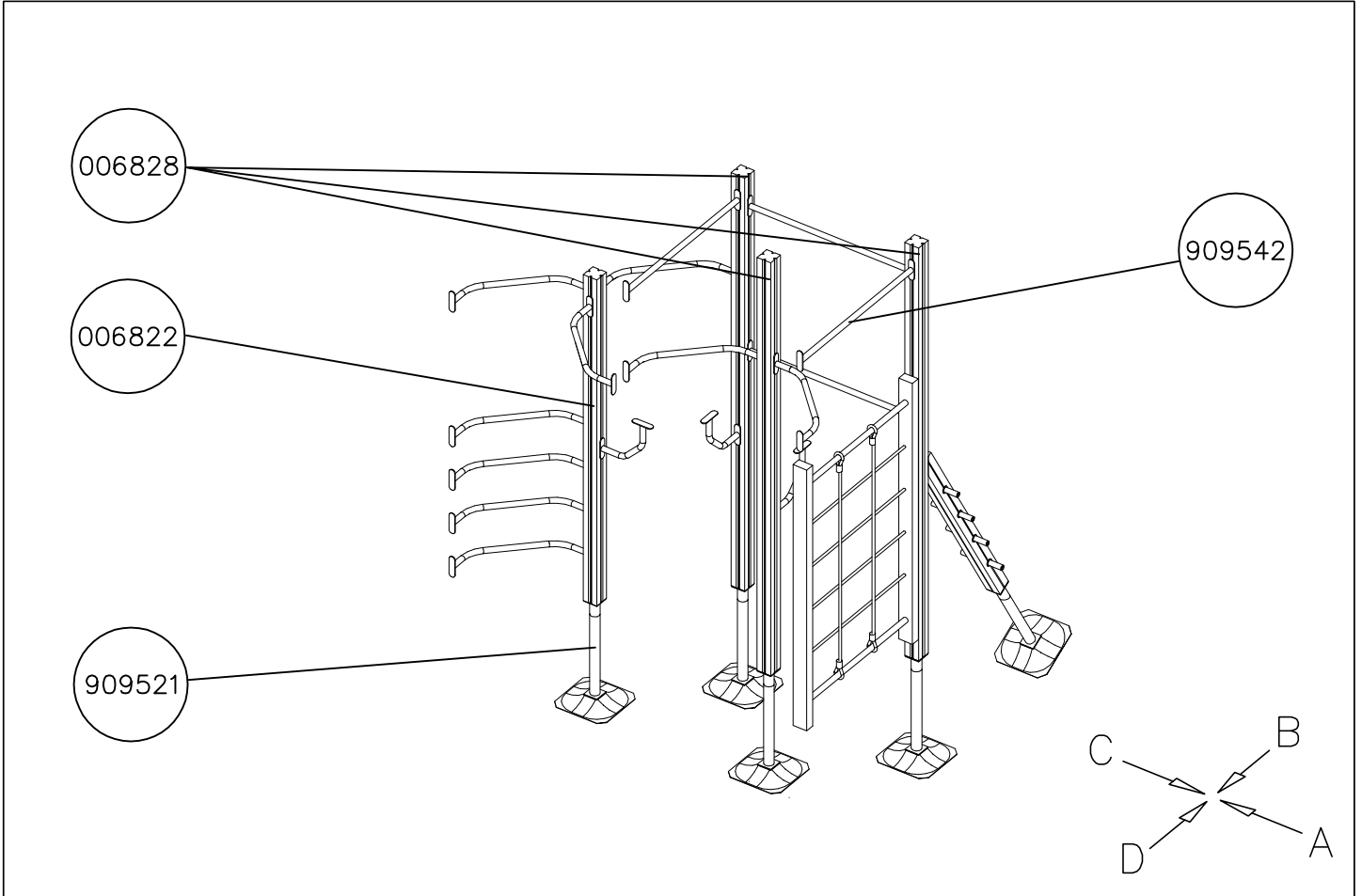






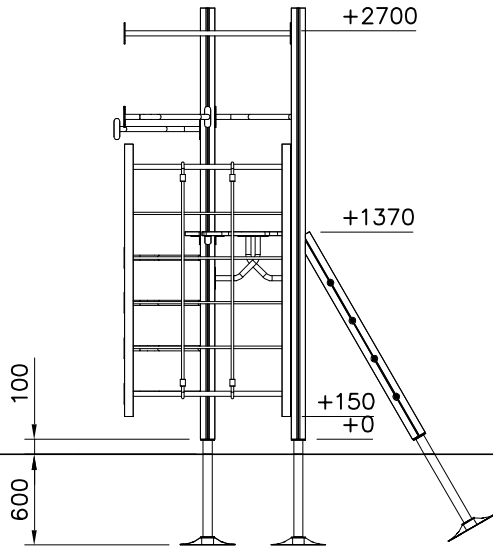




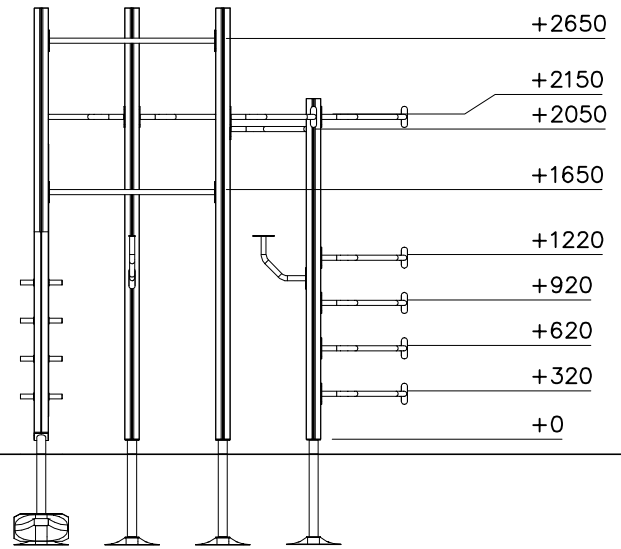


1:50

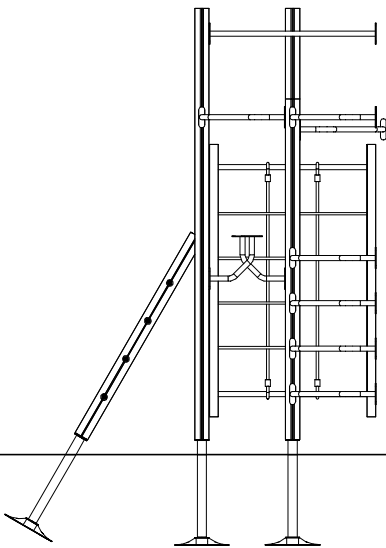
(A)



(B)



(C)



(D)

