

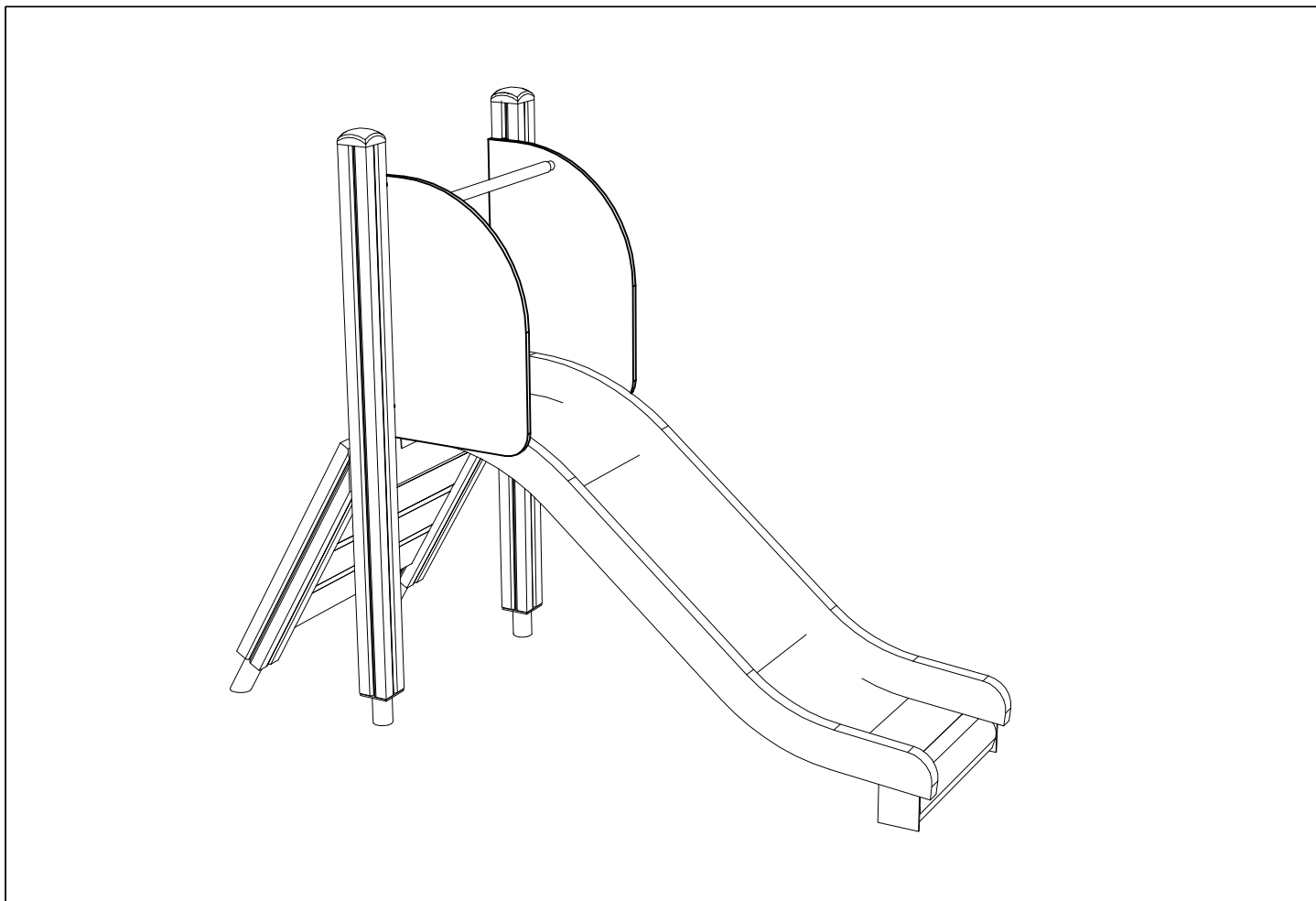
# **LAPPSET®**

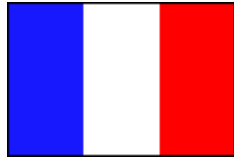
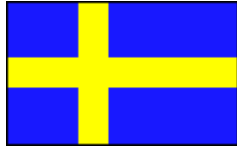
## **FOREST**

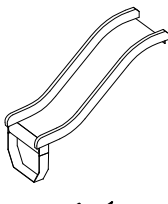

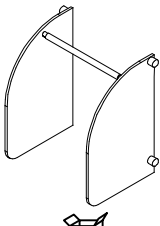
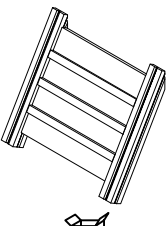
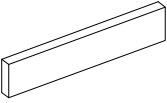

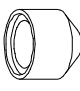

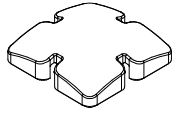
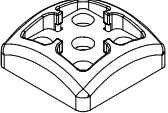
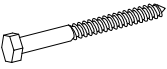
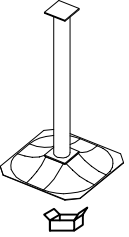

ASENNUSOHJE  
MONTERINGSANSVISNING  
INSTALLATION INSTRUCTION  
AUFBAUANLEITUNG  
NOTICE D'INSTALLATION

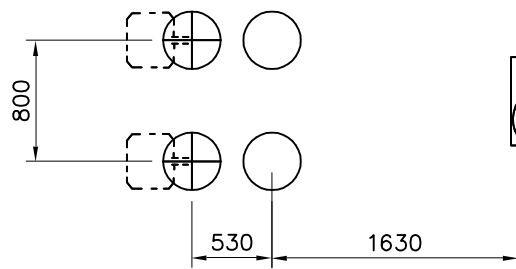
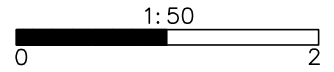
REF: 138100  
DATE: 15.6.2003

# **138100**

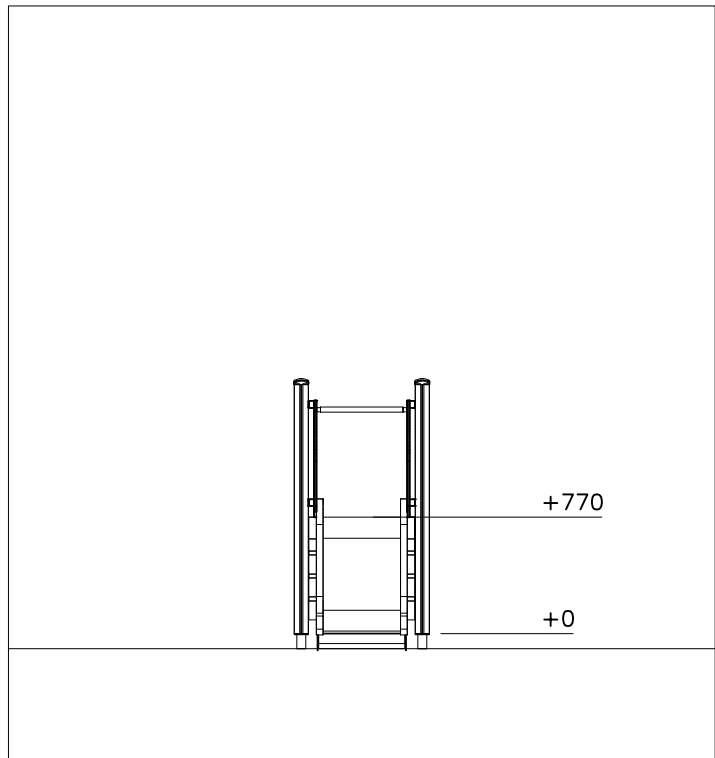
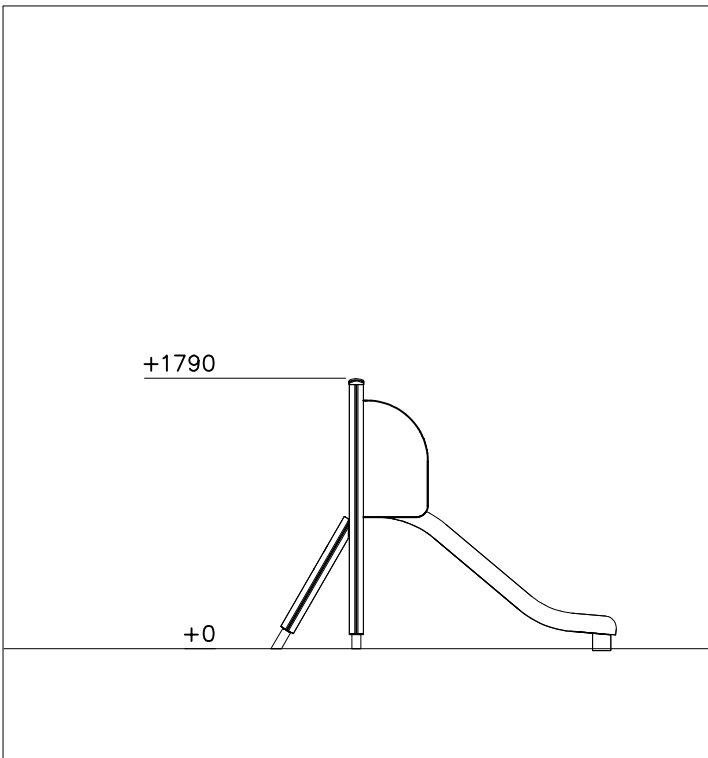
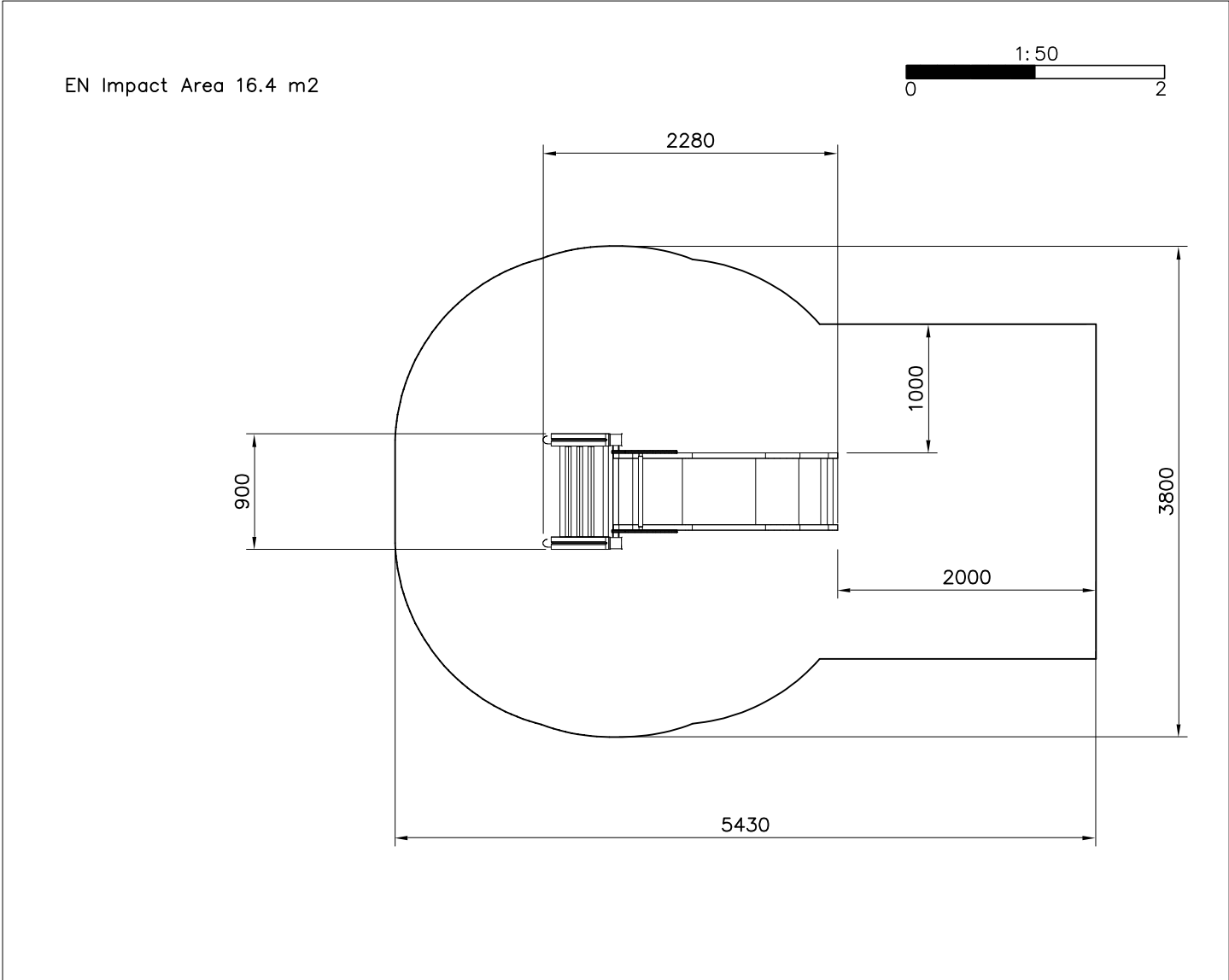


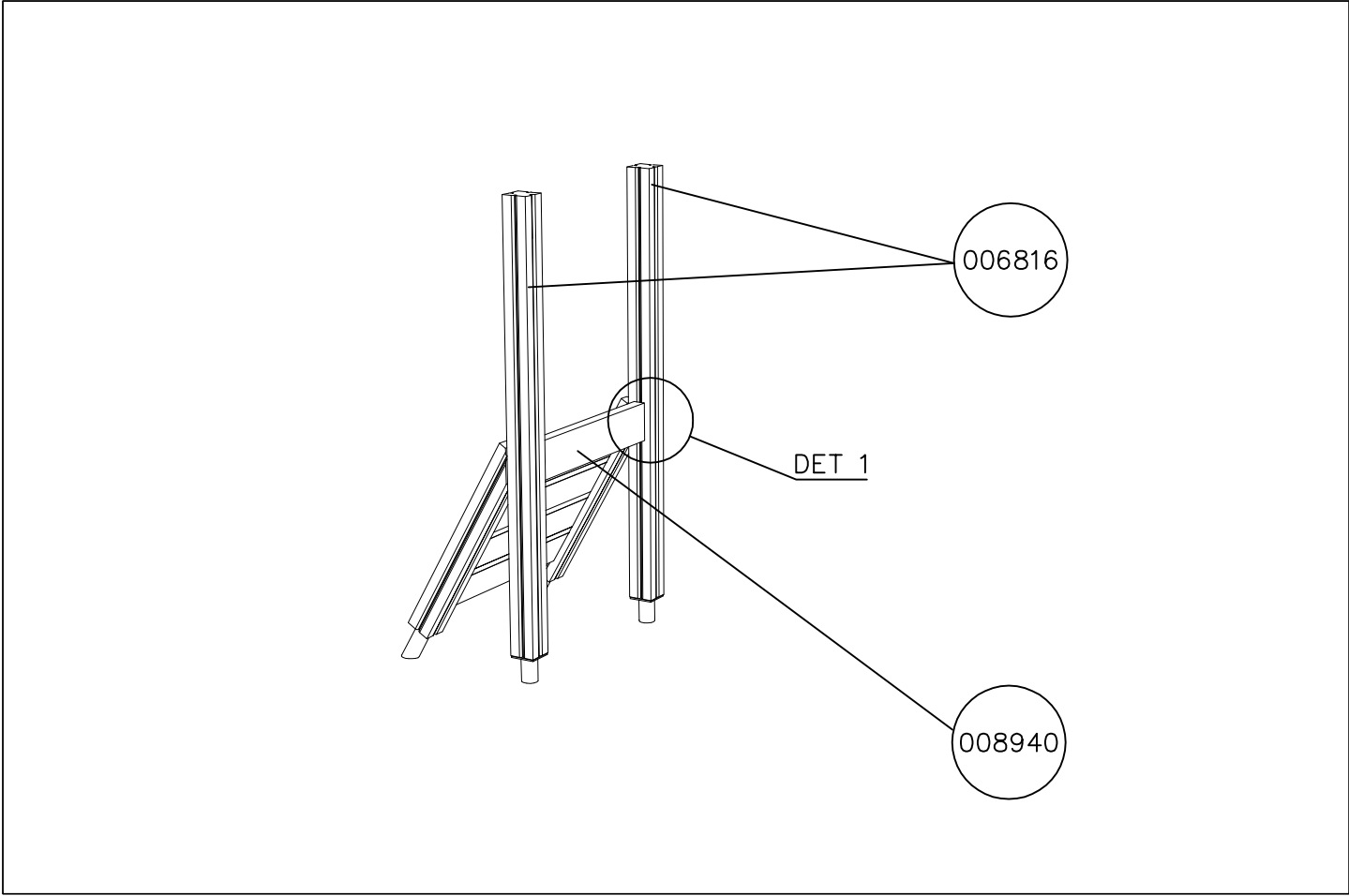


003618  L 1650	PCS 1	006816  L 1650	PCS 2	008790  L 1650	PCS 1	008903  L 704	PCS 1	008940  L 704	PCS 1	905051  Ø24/8.4	PCS 4
905104  M10	PCS 16	905120  Ø14	PCS 4	905137  YELLOW	PCS 2	905195  YELLOW	PCS 2	909238  8x90	PCS 4	909521  Ø24/8.4	PCS 4
980131  6x60	PCS 8		PCS		PCS		PCS		PCS		PCS
	PCS		PCS		PCS		PCS		PCS		PCS
	PCS		PCS		PCS		PCS		PCS		PCS
	PCS		PCS		PCS		PCS		PCS		PCS
	PCS		PCS		PCS		PCS		PCS		PCS



<p>M10          905104          909521</p>	<p>Sand 0.2-2 mm /          Gravel 2-8 mm          100 300 600</p>	<p>Sand 0.2-2 mm /          Gravel 2-8 mm          100 300 580</p>	<p>Sand 0.2-2 mm /          Gravel 2-8 mm          300 400</p>
<p>Copyright Lappset Group Ltd</p>			





<p>DET 1</p>	<p>DET 2</p>	<p>DET 3</p>	

