

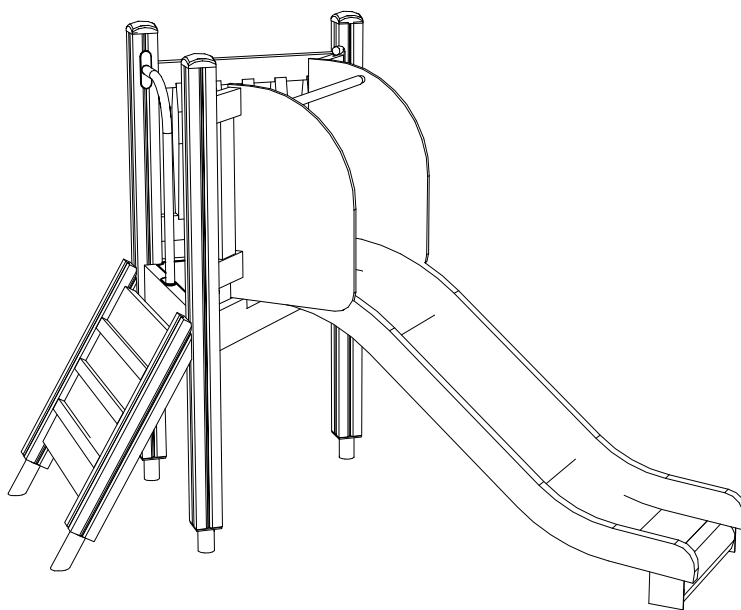
LAPPSET®

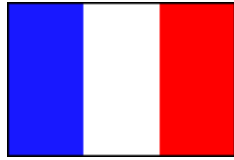
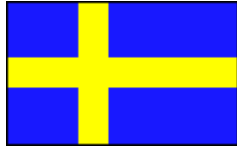
FOREST

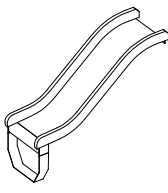

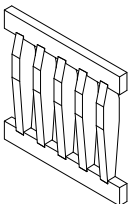
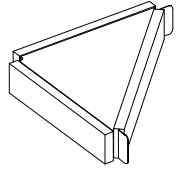
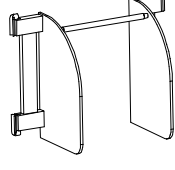
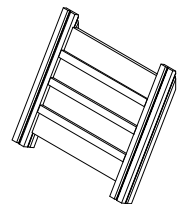
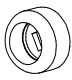
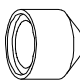


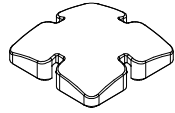
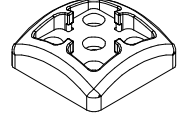
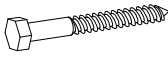
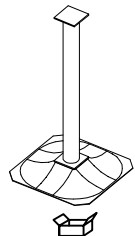



ASENNUSOHJE
MONTERINGSANSVISNING
INSTALLATION INSTRUCTION
AUFBAUANLEITUNG
NOTICE D'INSTALLATION

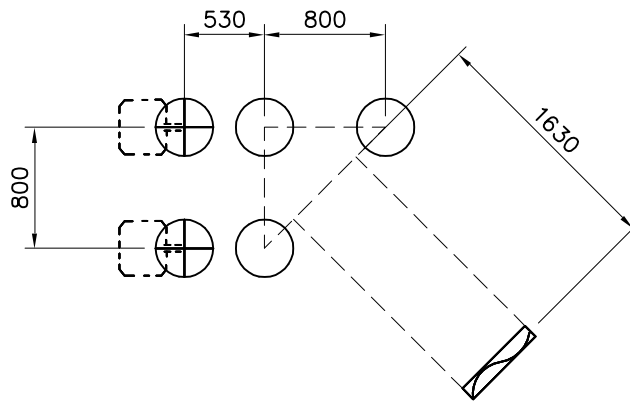
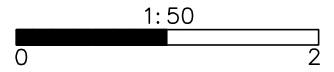
REF: 138110
DATE: 15.6.2003

138110



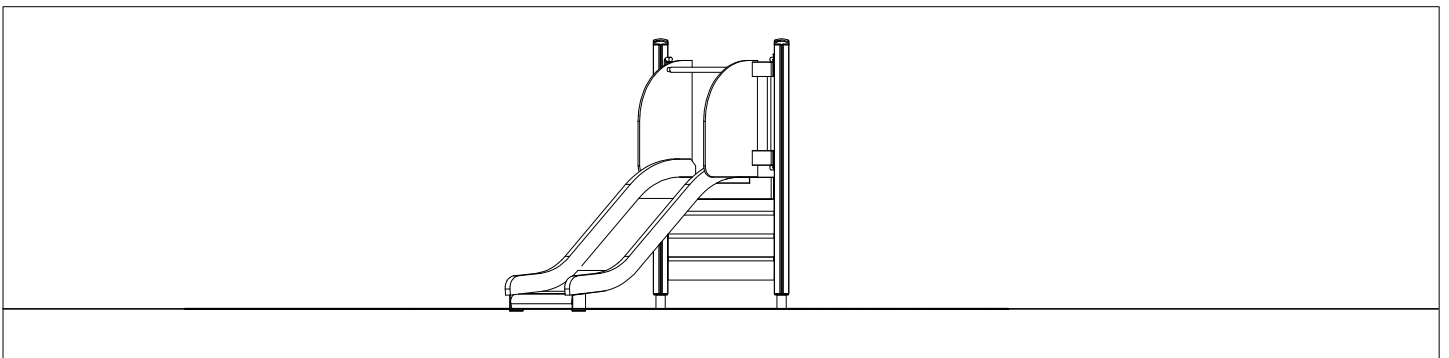
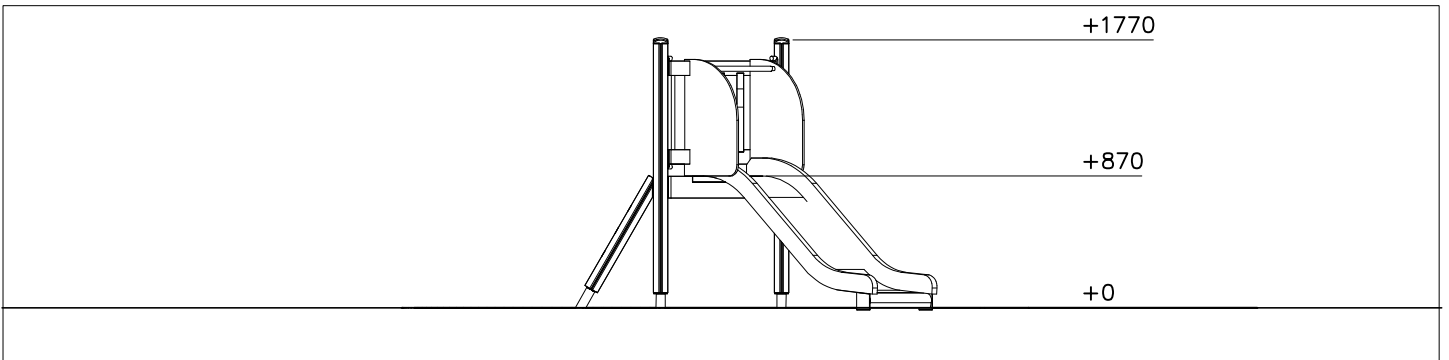
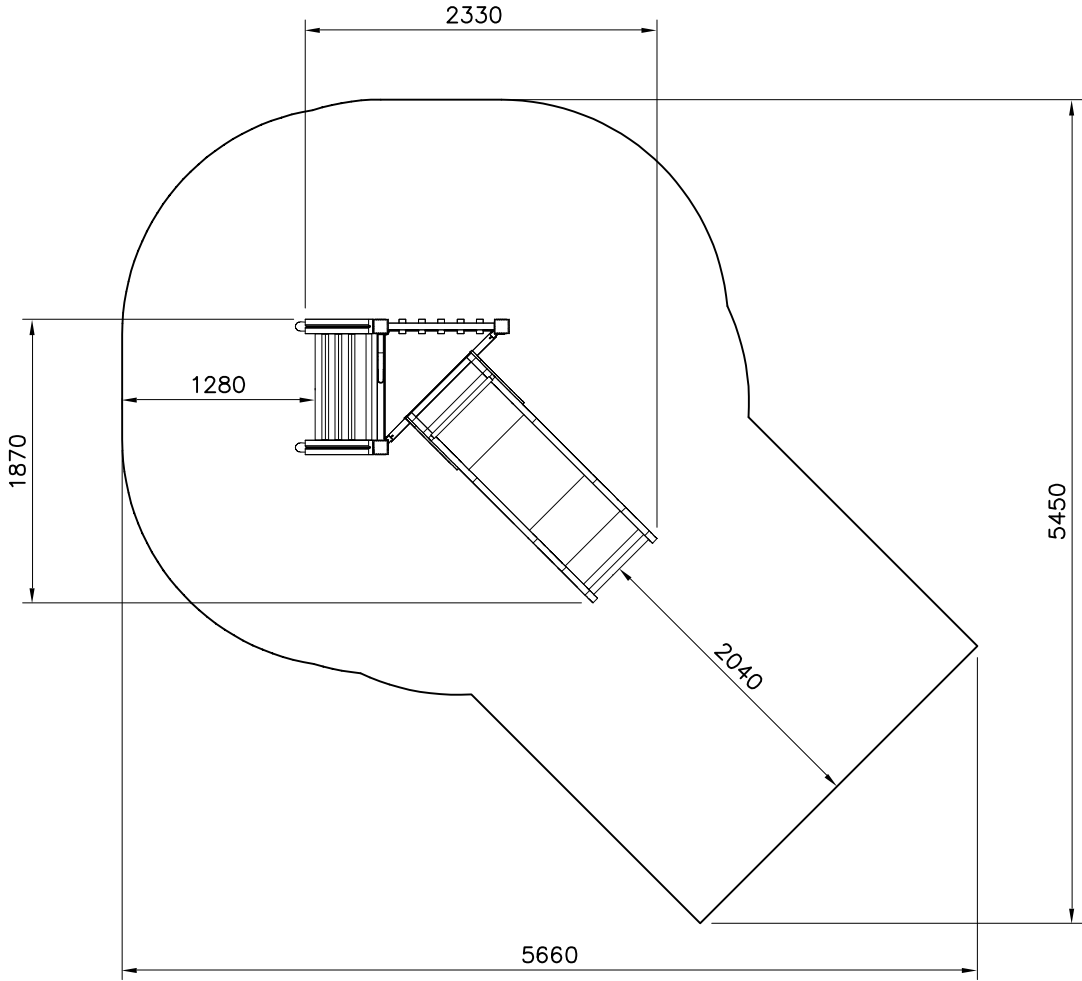
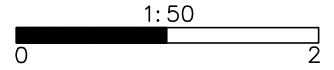


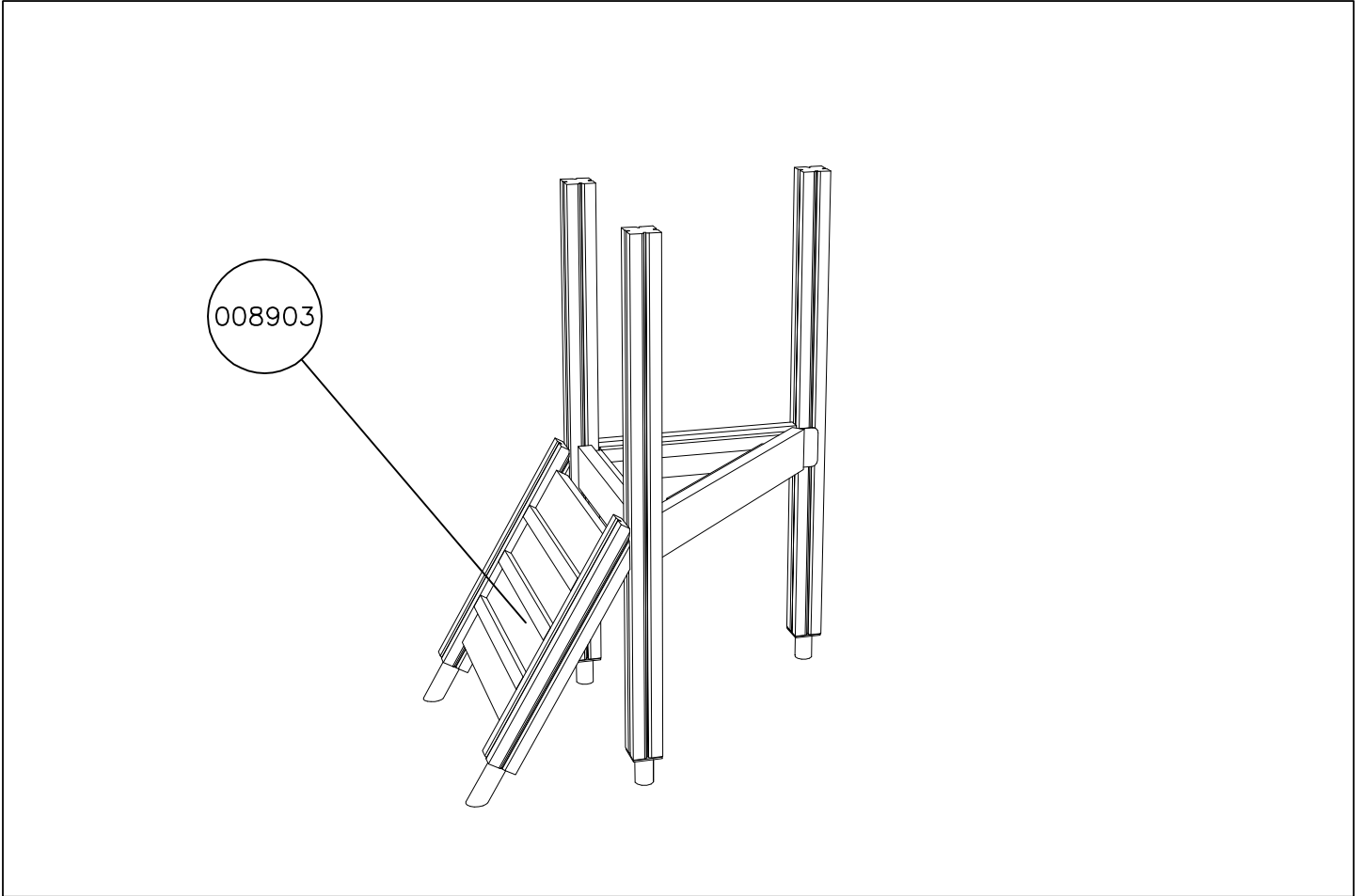
003618  L 1650	PCS 1	006816 	PCS 3	008574 	PCS 1	008705 	PCS 1	008791 	PCS 1	008903 	PCS 1
905083  Ø32	PCS 3	905104  M10	PCS 20	905112  Ø22	PCS 3	905120  Ø14	PCS 6	905137  YELLOW	PCS 3	905195  YELLOW	PCS 3
909217  8x70	PCS 3	909521 	PCS 5	909540 	PCS 1	980131  6x60	PCS 12	980151  Ø16/8.4	PCS 3		PCS
	PCS		PCS		PCS		PCS		PCS		PCS
	PCS		PCS		PCS		PCS		PCS		PCS
	PCS		PCS		PCS		PCS		PCS		PCS
	PCS		PCS		PCS		PCS		PCS		PCS



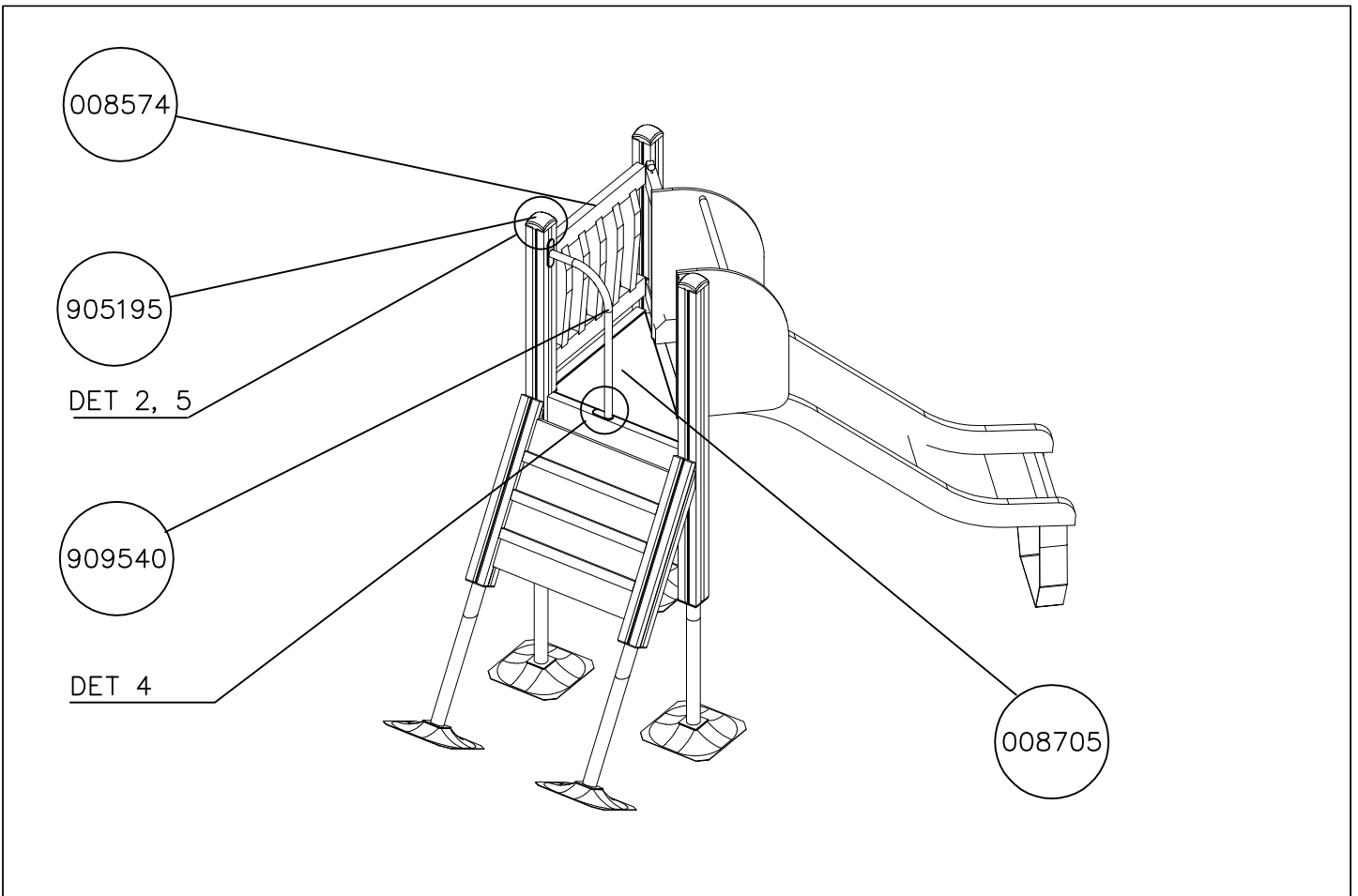
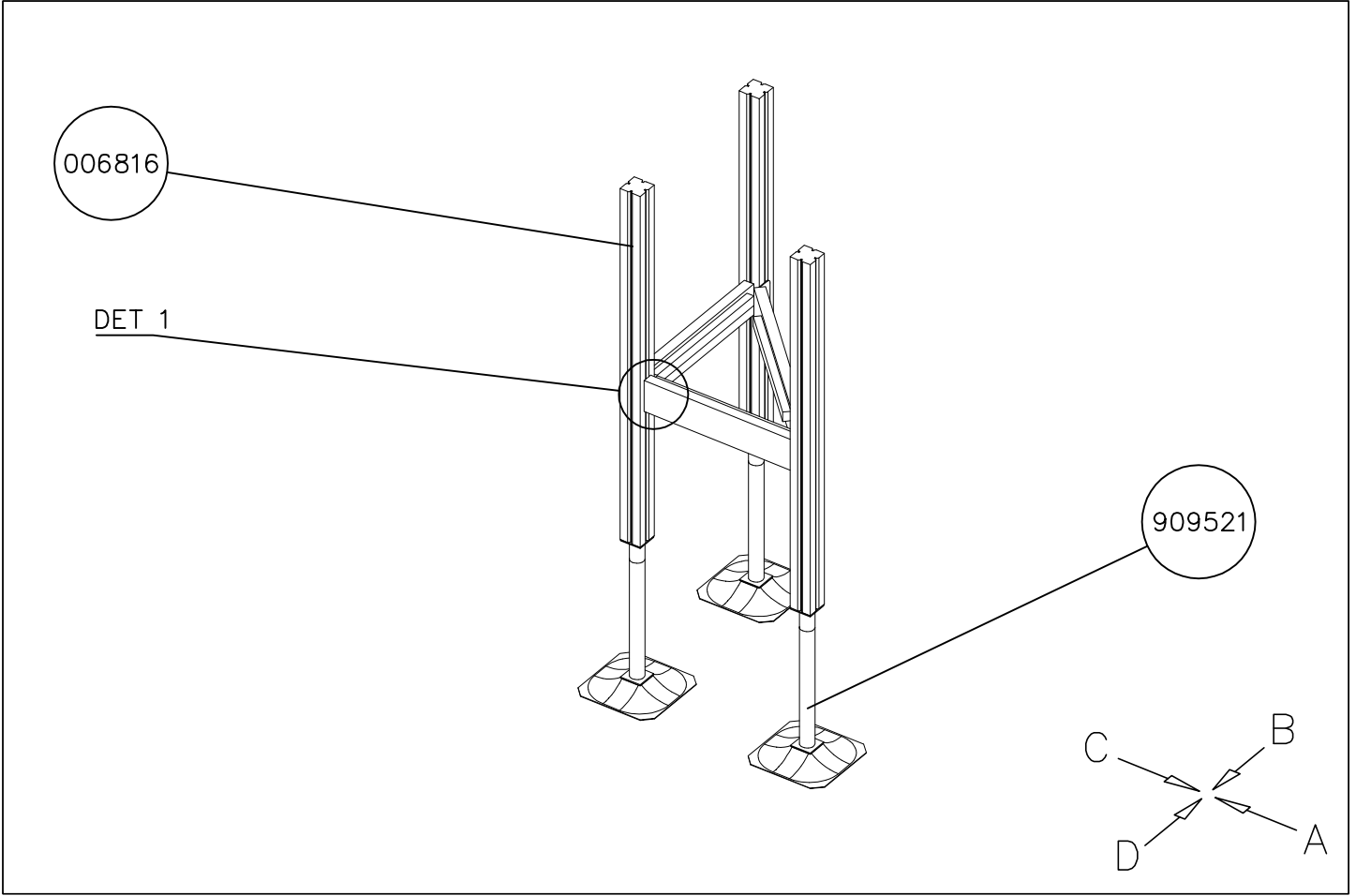
	<p>Sand 0.2–2 mm/ Gravel 2–8 mm</p>	<p>Sand 0.2–2 mm/ Gravel 2–8 mm</p>	<p>Sand 0.2–2 mm/ Gravel 2–8 mm</p>
<p>Copyright Lappset Group Ltd</p>			

EN Impact Area 18.1 m²





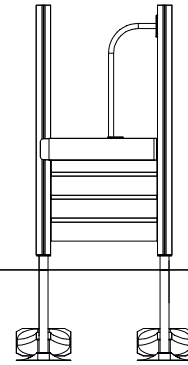
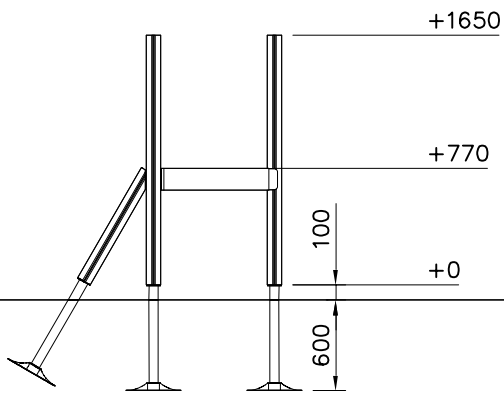
<p>DET 1</p>	<p>DET 2</p>	<p>DET 3</p>	<p>DET 4</p>
<p>DET 5</p>			



(A)

1: 50

(B)



(C)

(D)

