

LAPPSET®

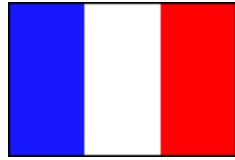
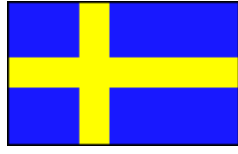
FOREST

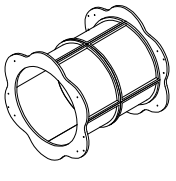
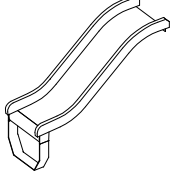
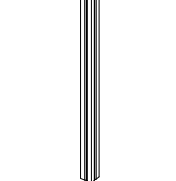
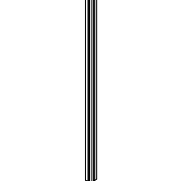
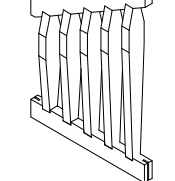
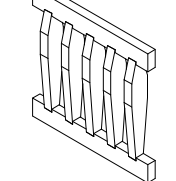
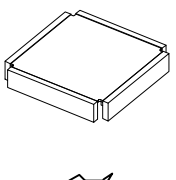
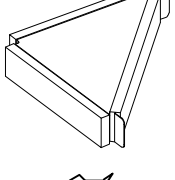
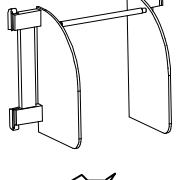
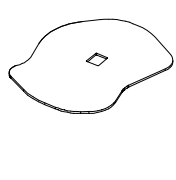
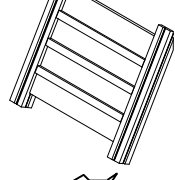
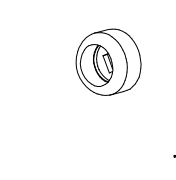
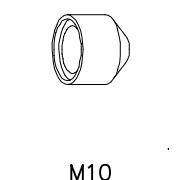
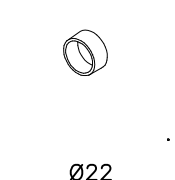
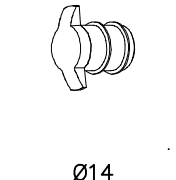
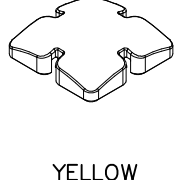
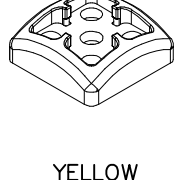
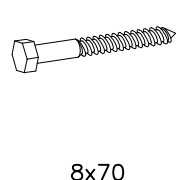
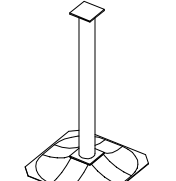
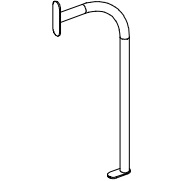
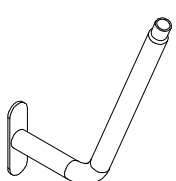
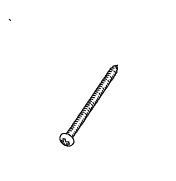
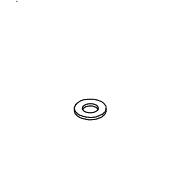
ASENNUSOHJE
MONTERINGSANSVISNING
INSTALLATION INSTRUCTION
AUFBAUANLEITUNG
NOTICE D'INSTALLATION

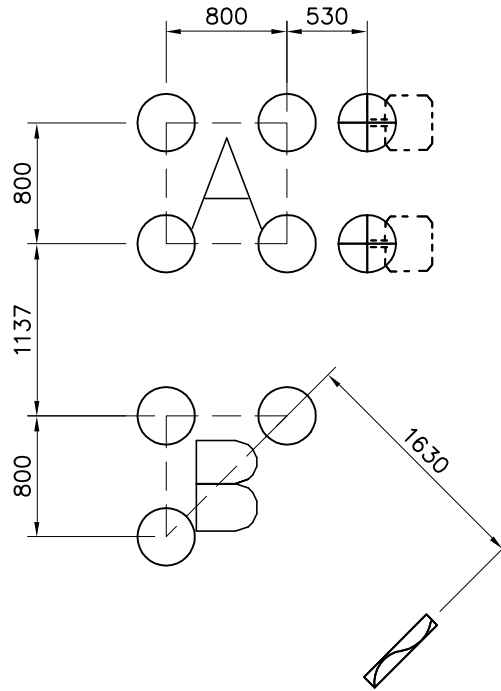
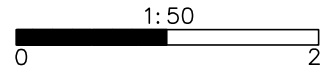
REF: 138117
DATE: 15.6.2003

138117



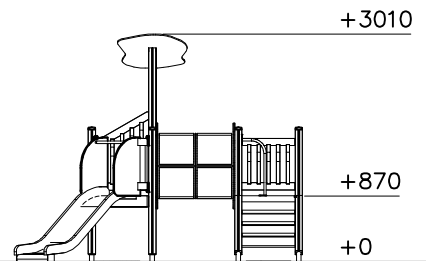
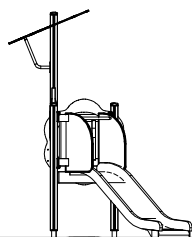
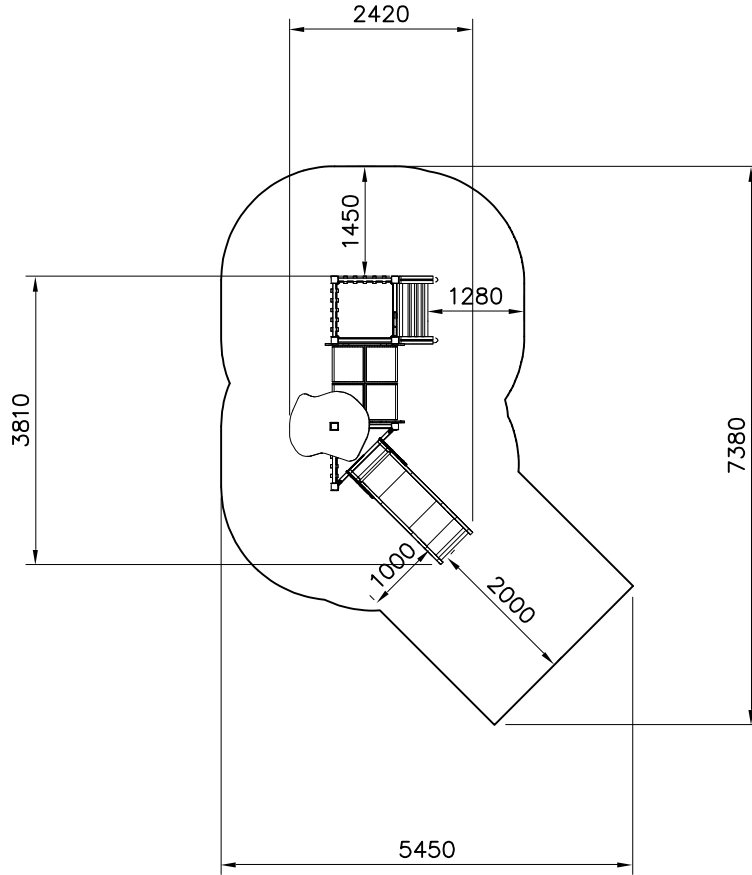
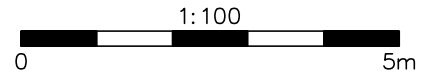


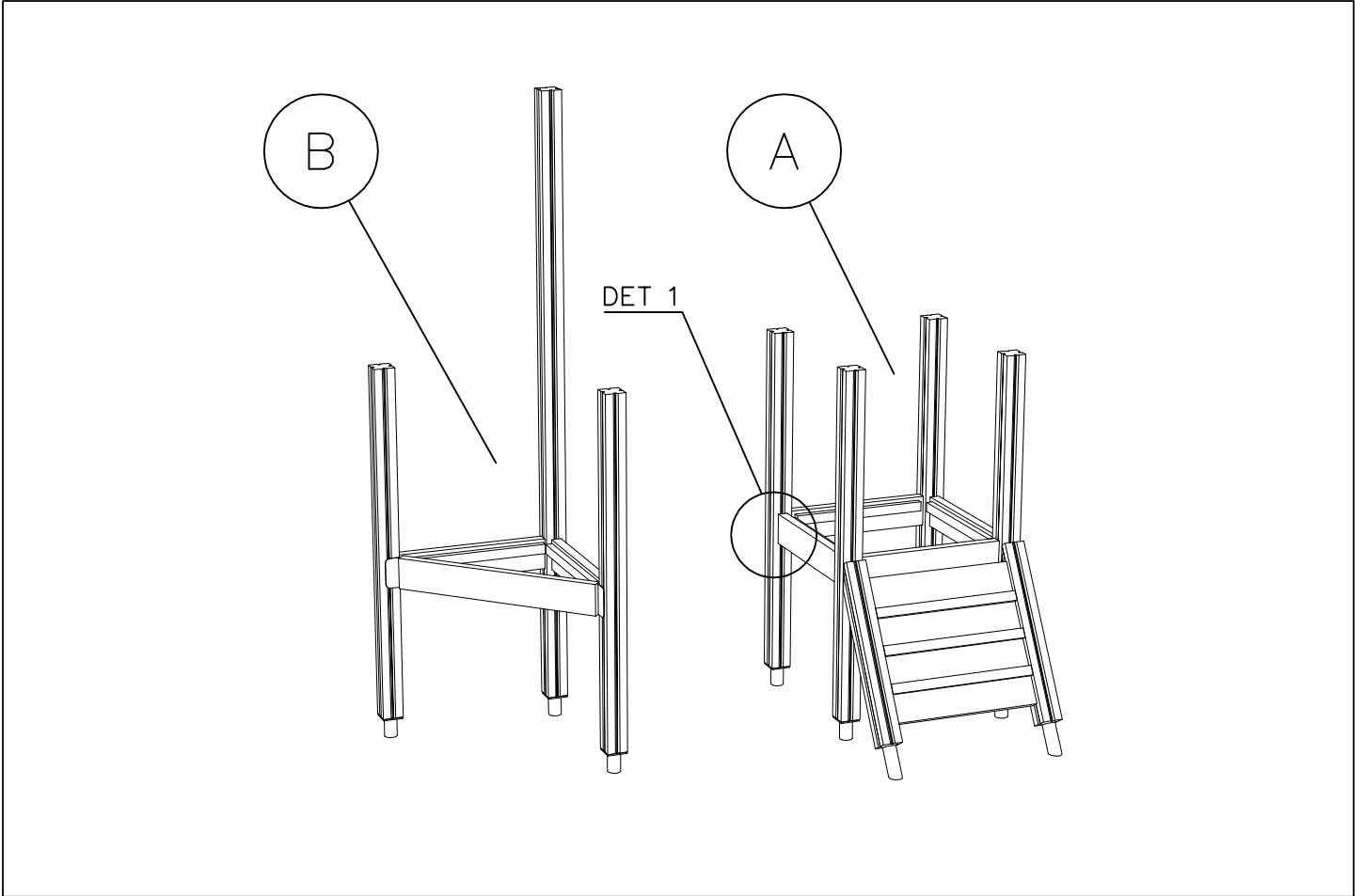
002305  PCS 1	003618  PCS 1	006816  L 1650 PCS 6	006828  L 2850 PCS 1	008572  PCS 1	008574  PCS 2
008701  PCS 1	008705  PCS 1	008791  PCS 1	008875  GREEN PCS 1	008903  PCS 1	905083  Ø32 PCS 3
905104  M10 PCS 36	905112  Ø22 PCS 3	905120  Ø14 PCS 14	905137  YELLOW PCS 7	905195  YELLOW PCS 7	909217  8x70 PCS 3
909521  PCS 9	909540  PCS 1	909575  PCS 1	980131  6x60 PCS 28	980151  Ø16/8.4 PCS 3	



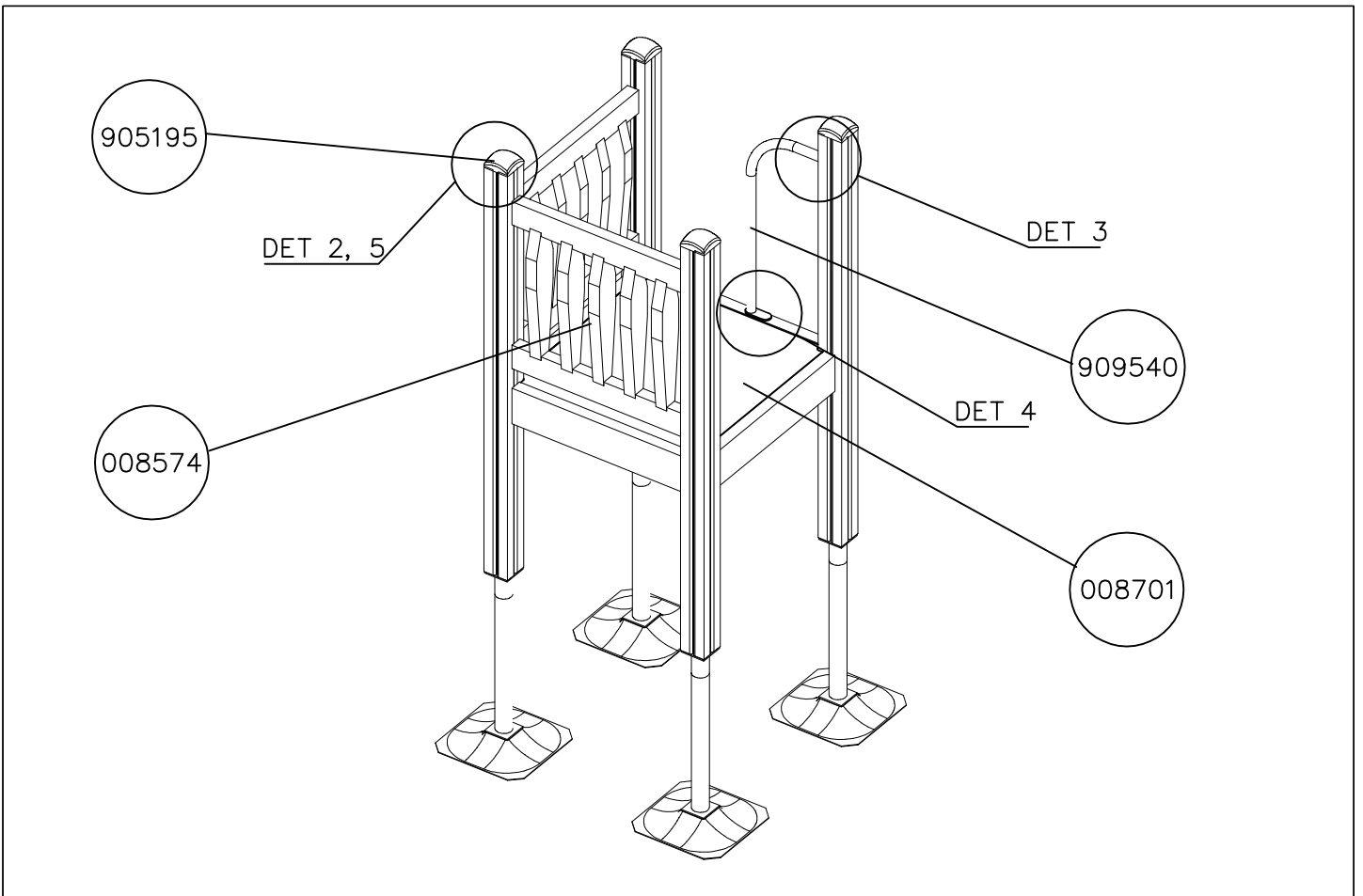
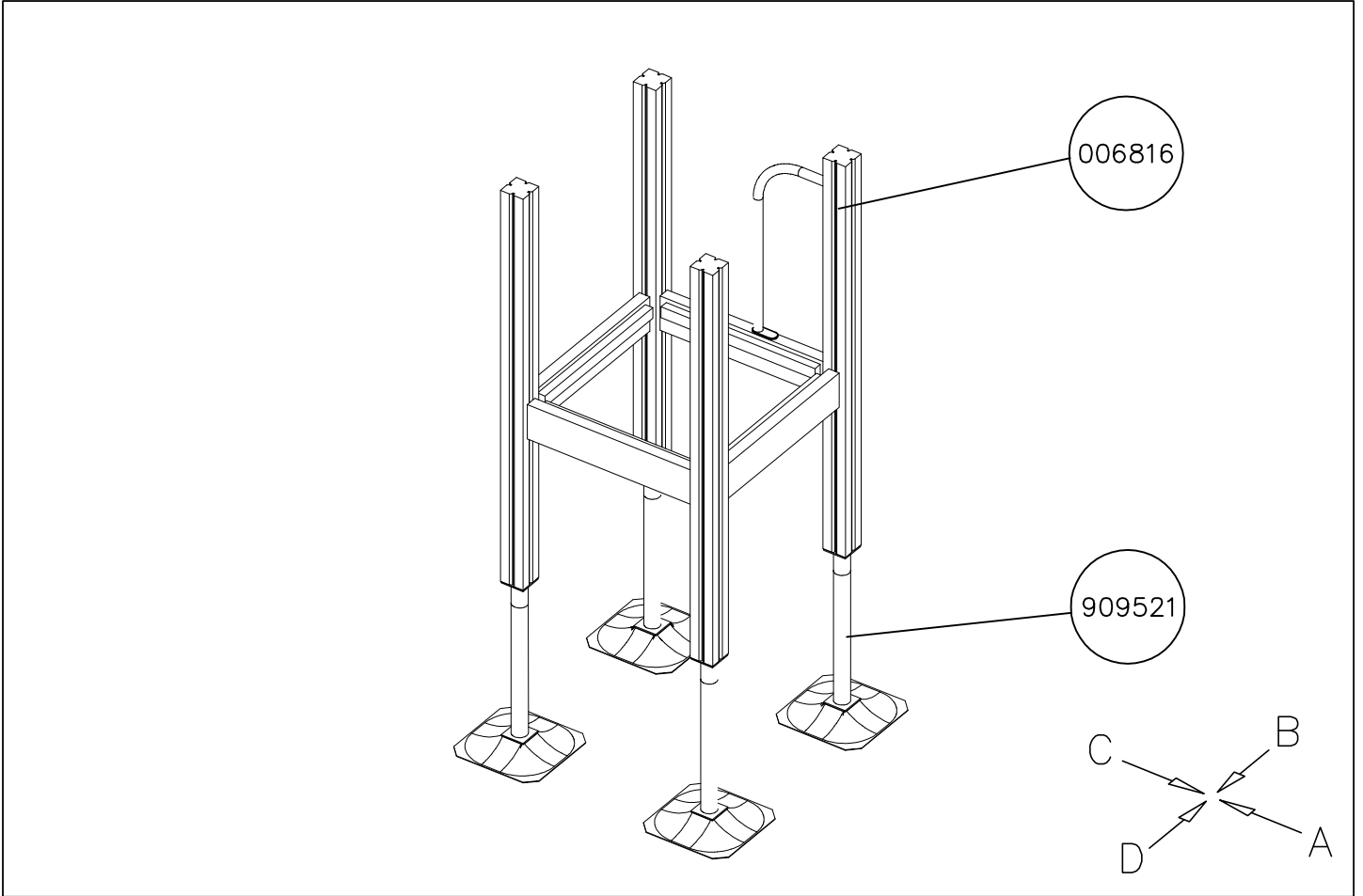
<p>M10 905104 909521</p>	<p>Sand 0.2–2 mm/ Gravel 2–8 mm</p> <p>100 300 600</p>	<p>Sand 0.2–2 mm/ Gravel 2–8 mm</p> <p>100 300 580</p>	<p>Sand 0.2–2 mm/ Gravel 2–8 mm</p> <p>300 400</p>
<p>Copyright Lappset Group Ltd</p>			

EN Impact Area 25.3 m²





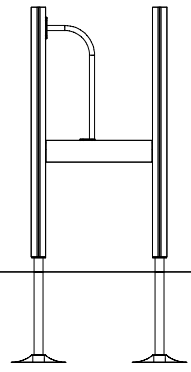
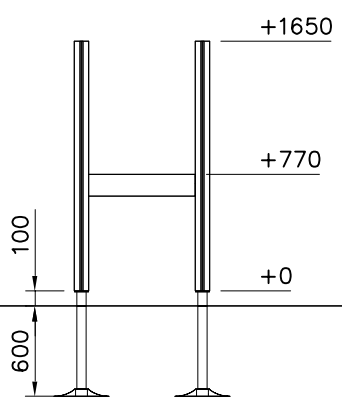
<p>DET 1</p>	<p>DET 2</p>	<p>DET 3</p>	<p>DET 4</p>
<p>DET 5</p>			



(A)

1: 50

(B)



(C)

(D)

