

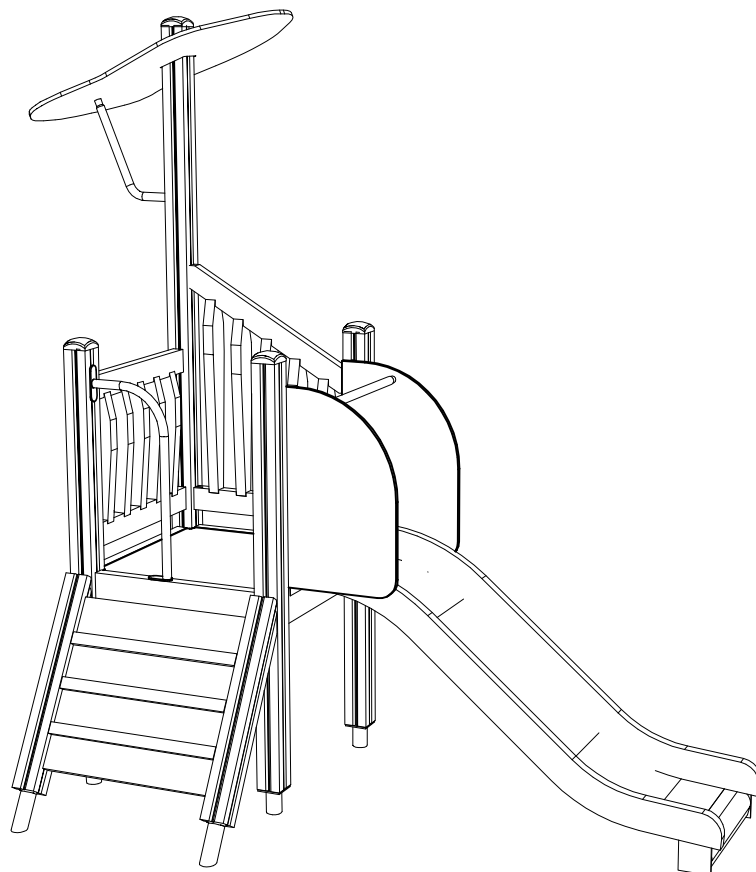
LAPPSET®

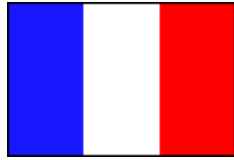
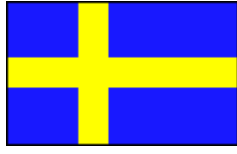
FOREST

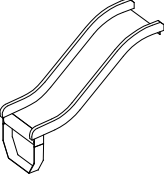


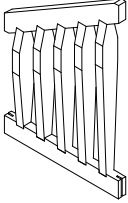
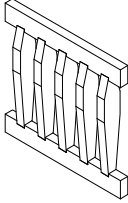
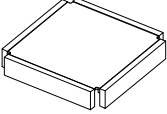
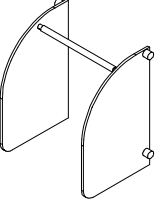
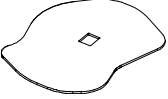
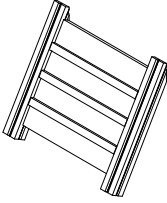
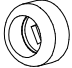
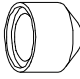

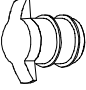
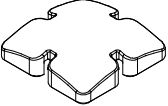
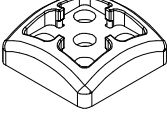
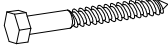
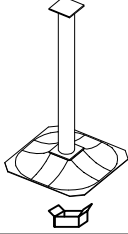
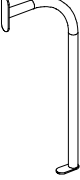
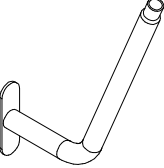


ASENNUSOHJE
MONTERINGSANSVISNING
INSTALLATION INSTRUCTION
AUFBAUANLEITUNG
NOTICE D'INSTALLATION

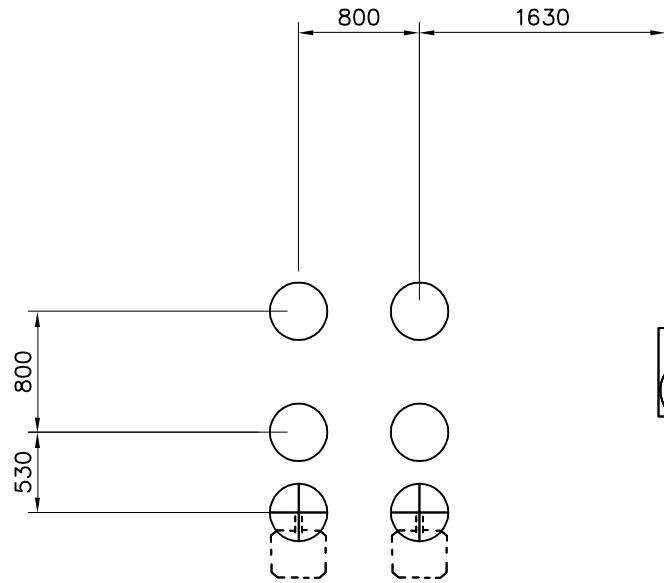
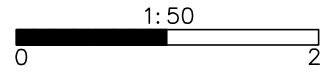
REF: 138120
DATE: 14.8.2003

138120

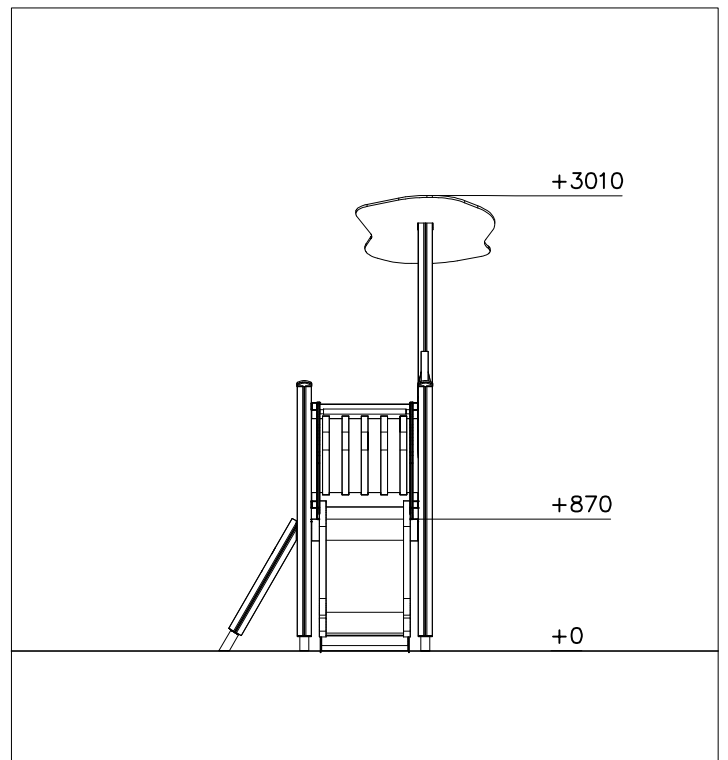
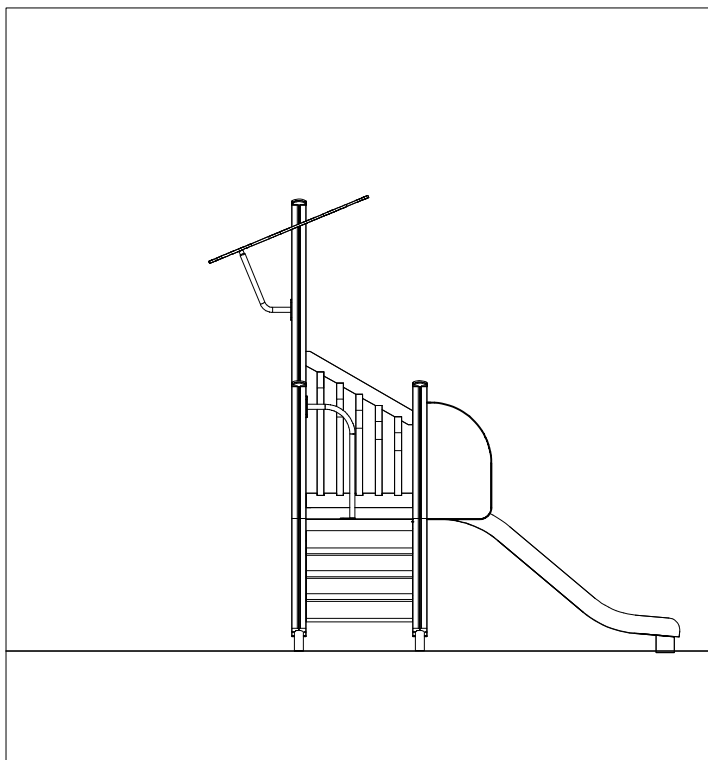
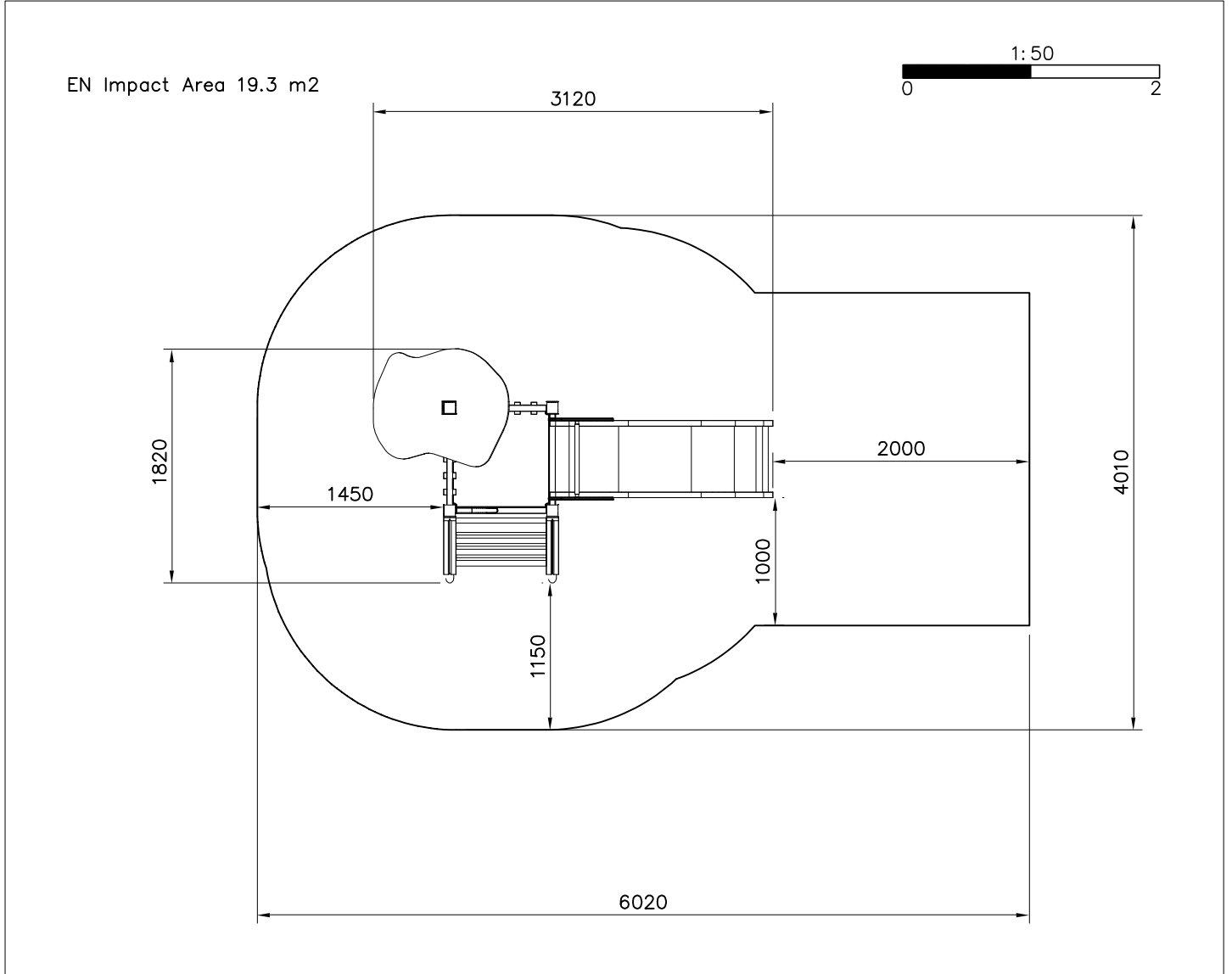


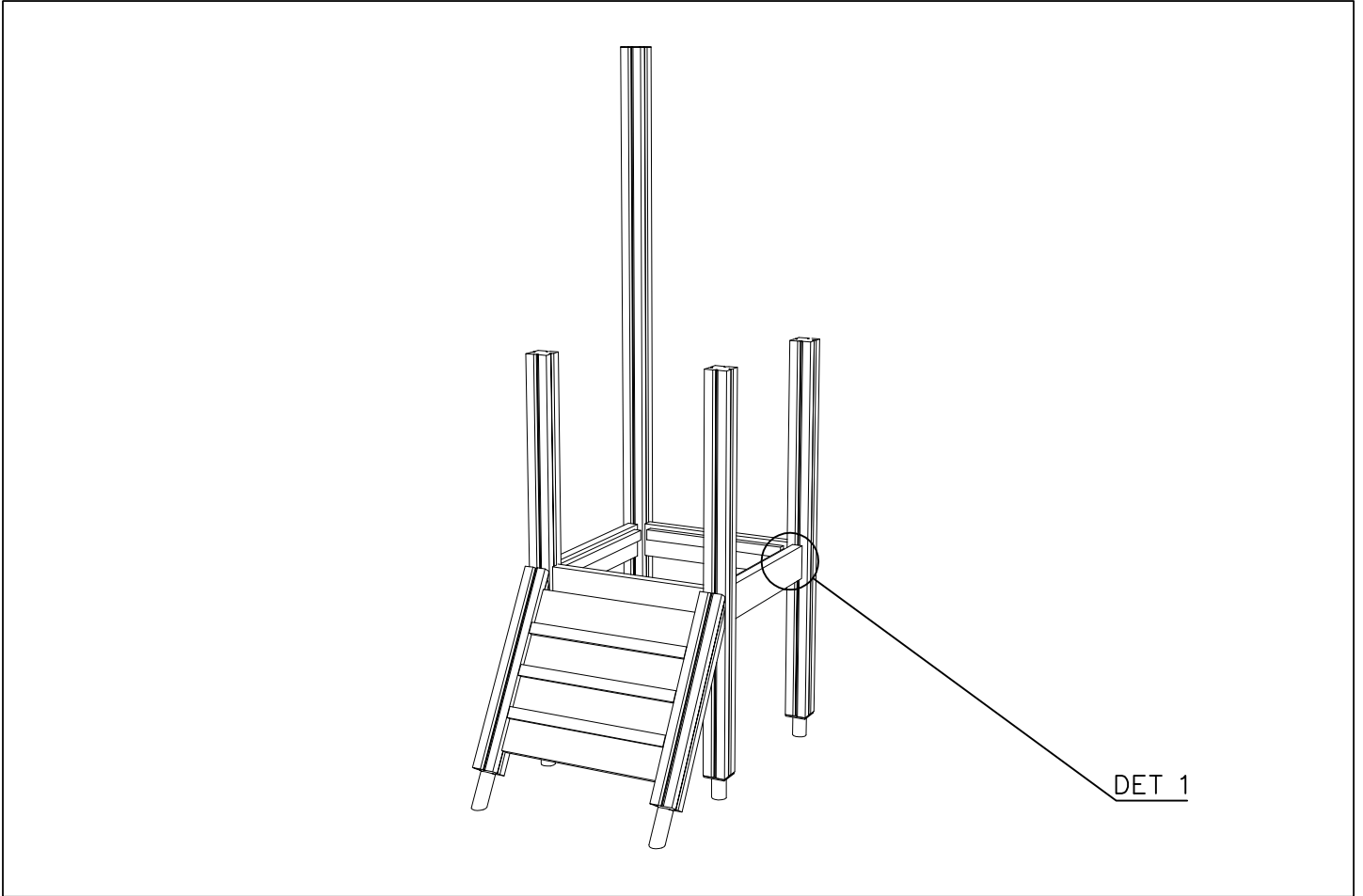


003618  PCS 1	006816  L 1650 PCS 3	006828  L 2850 PCS 1	008572  PCS 1	008574  PCS 1	008701  PCS 1
008790  PCS 1	008875  GREEN PCS 1	008903  PCS 1	905083  Ø32 PCS 3	905104  M10 PCS 24	905112  Ø22 PCS 3
905120  Ø14 PCS 8	905137  YELLOW PCS 4	905195  YELLOW PCS 4	909217  8x70 PCS 3	909521  PCS 6	909540  PCS 1
909575  PCS 1	980131  6x60 PCS 16	980151  Ø16/8.4 PCS 3			



<p>M10 905104 909521</p>	<p>Sand 0.2-2 mm/ Gravel 2-8 mm</p> <p>100 300 600</p>	<p>Sand 0.2-2 mm/ Gravel 2-8 mm</p> <p>100 300 580</p>	<p>Sand 0.2-2 mm/ Gravel 2-8 mm</p> <p>300 400</p>
<p>Copyright Lappset Group Ltd</p>			





<p>DET 1</p>	<p>DET 2</p>	<p>DET 3</p>	<p>DET 4</p>
<p>DET 5</p>			

