

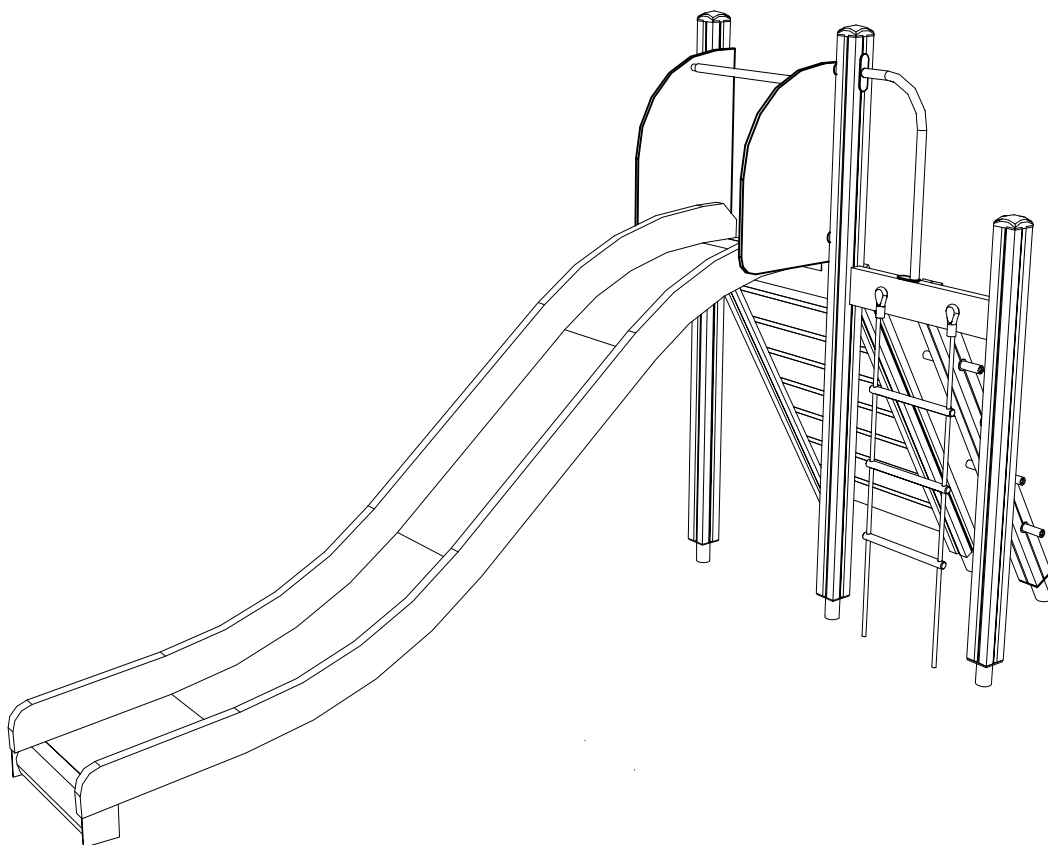
LAPPSET®

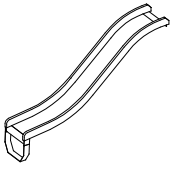


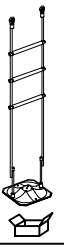
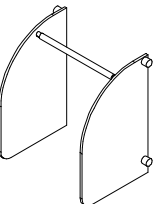
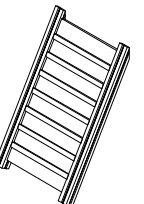
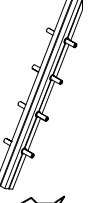
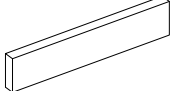
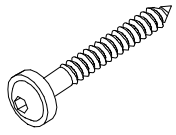

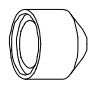
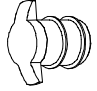
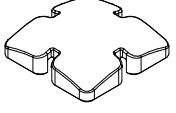
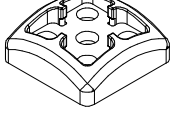
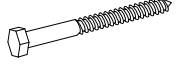
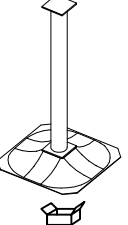
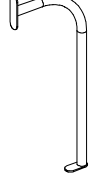

FOREST

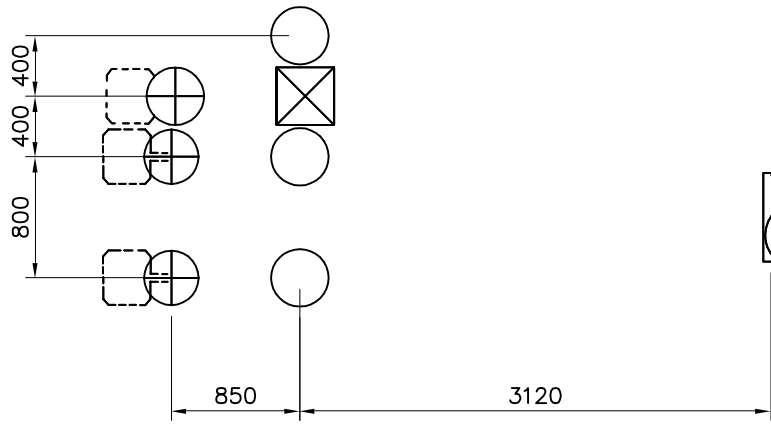
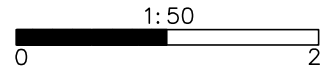
ASENNUSOHJE
MONTERINGSANSVISNING
INSTALLATION INSTRUCTION
AUFBAUANLEITUNG
NOTICE D'INSTALLATION

REF: 138137
DATE: 1.4.2005

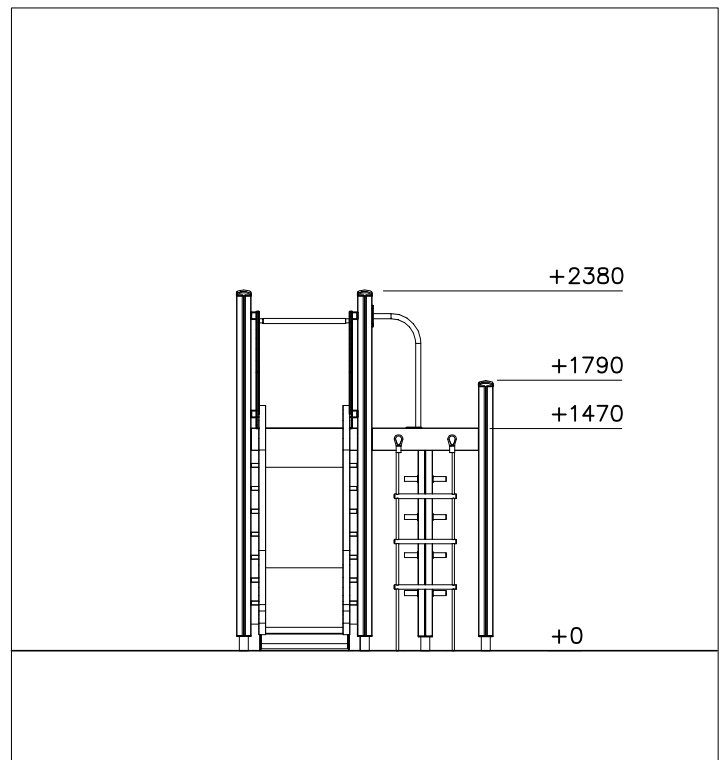
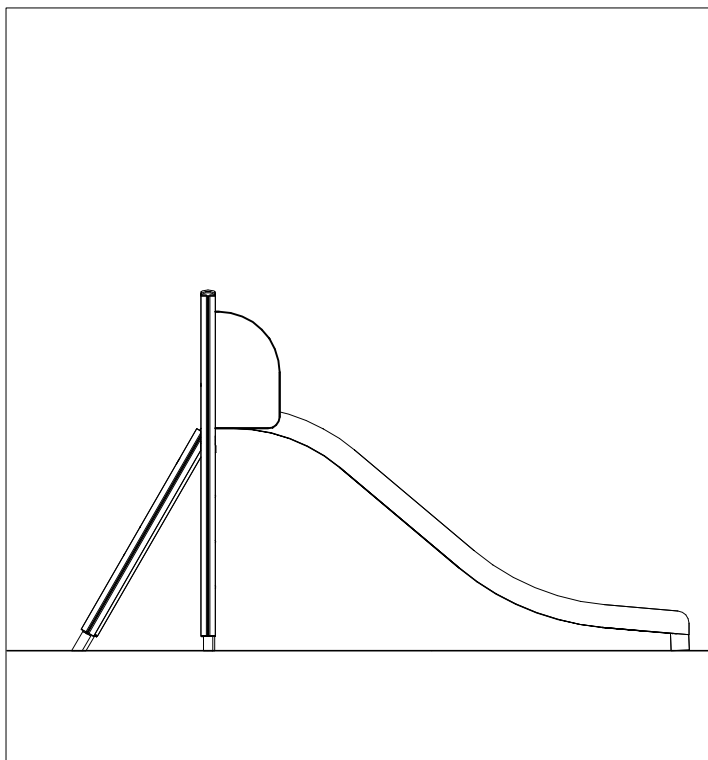
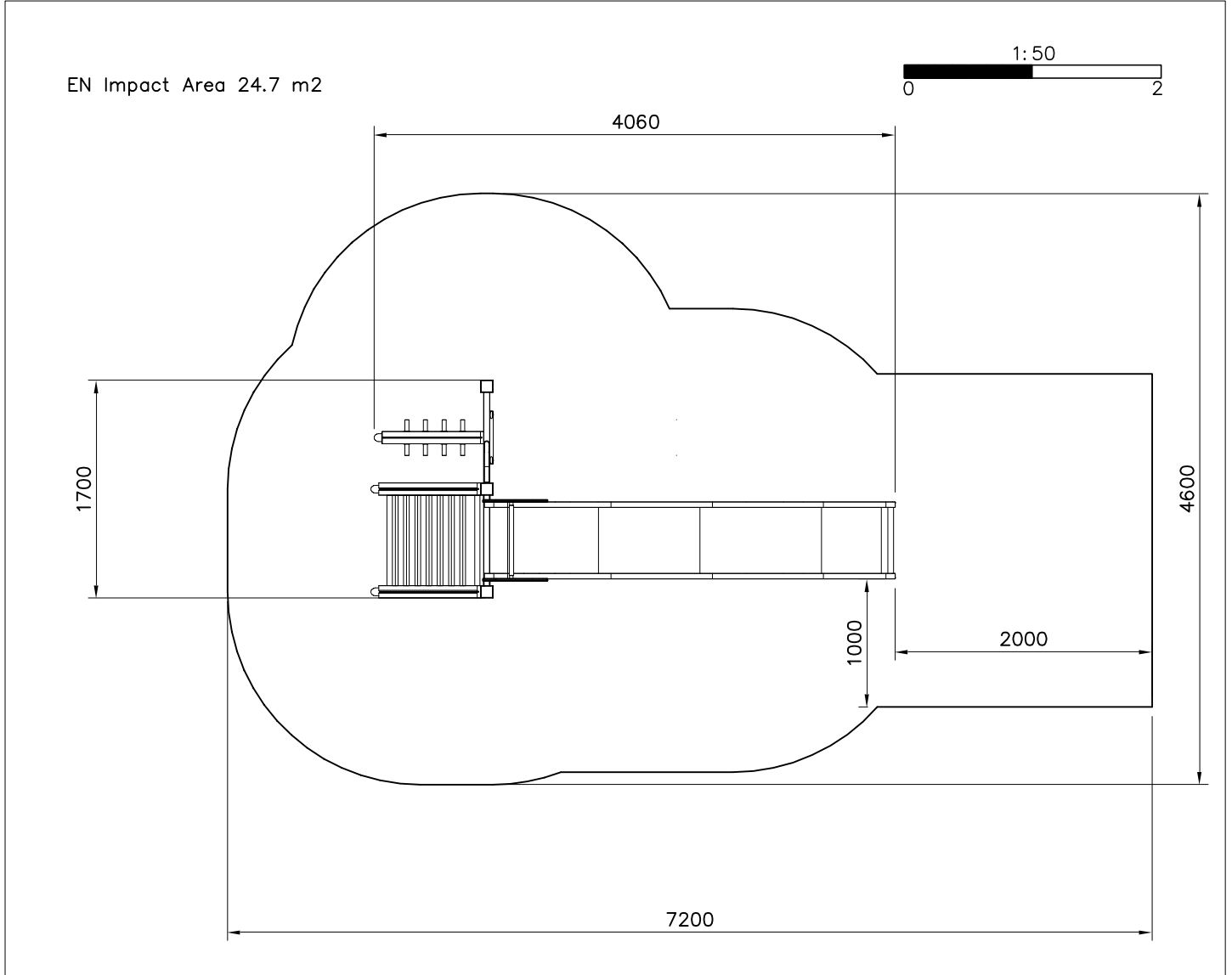
138137

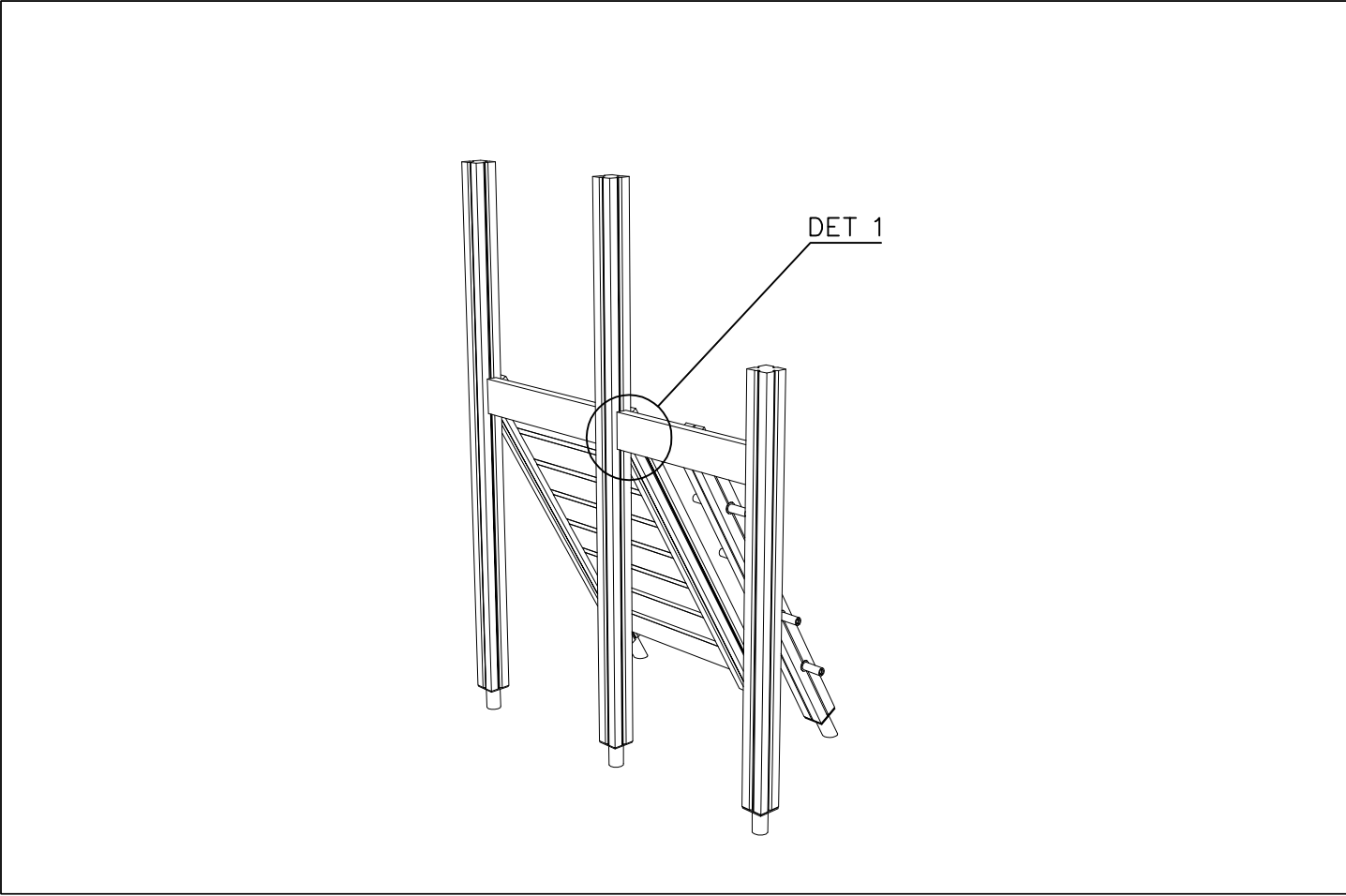


003614  L 1650	PCS 1	006816  L 1650	PCS 1	006822  L 2250	PCS 2	007229 	PCS 1	008790 	PCS 1	008904 	PCS 1
008910 	PCS 1	008940  L 704	PCS 2	900240  8x70	PCS 3	905051  Ø24/8.4	PCS 8	905104  M10	PCS 24	905120  Ø14	PCS 6
905137  YELLOW	PCS 3	905195  YELLOW	PCS 3	909238  8x90	PCS 8	909521 	PCS 6	909540 	PCS 1	980131  6x60	PCS 12
	PCS		PCS		PCS		PCS		PCS		PCS
	PCS		PCS		PCS		PCS		PCS		PCS
	PCS		PCS		PCS		PCS		PCS		PCS
	PCS		PCS		PCS		PCS		PCS		PCS



	<p>Sand 0.2-2 mm/ Gravel 2-8 mm</p>	<p>Sand 0.2-2 mm/ Gravel 2-8 mm</p>	<p>Sand 0.2-2 mm/ Gravel 2-8 mm</p>
<p>Sand 0.2-2 mm/ Gravel 2-8 mm</p>			





<p>DET 1</p>	<p>DET 2</p>	<p>DET 3</p>	<p>DET 4</p>
<p>DET 5</p>			

