

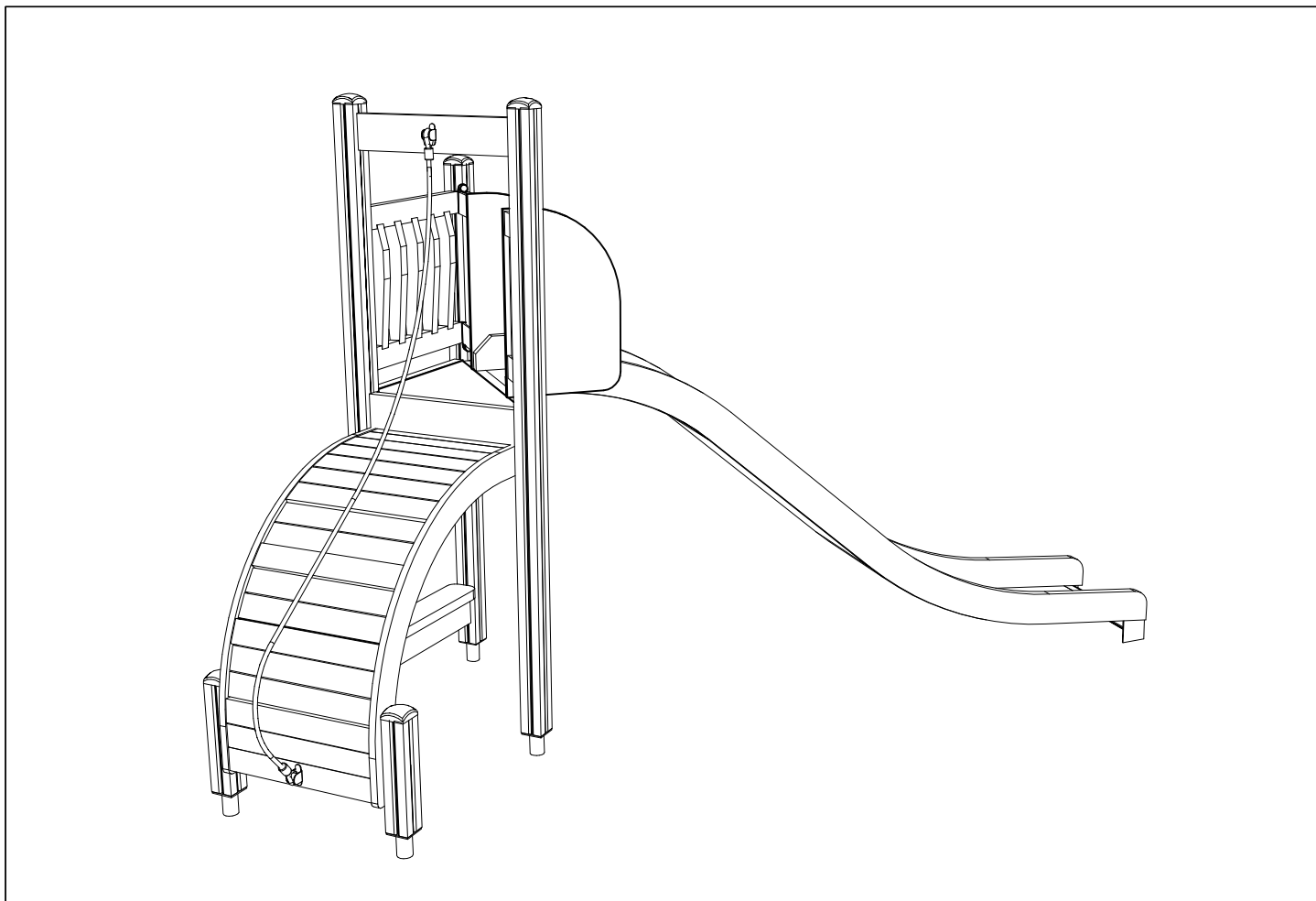
LAPPSET®

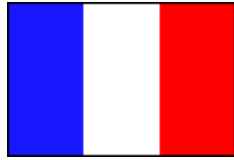
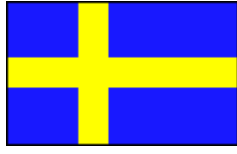
FOREST

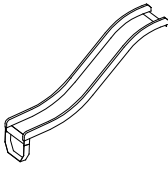
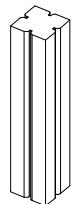


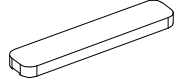
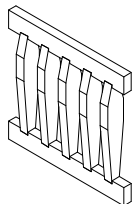
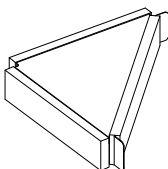
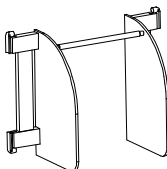

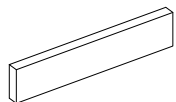



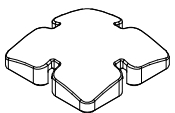
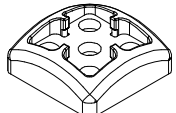
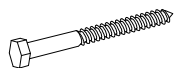
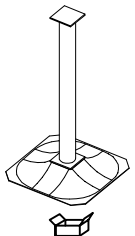

ASENNUSOHJE
MONTERINGSANSVISNING
INSTALLATION INSTRUCTION
AUFBAUANLEITUNG
NOTICE D'INSTALLATION

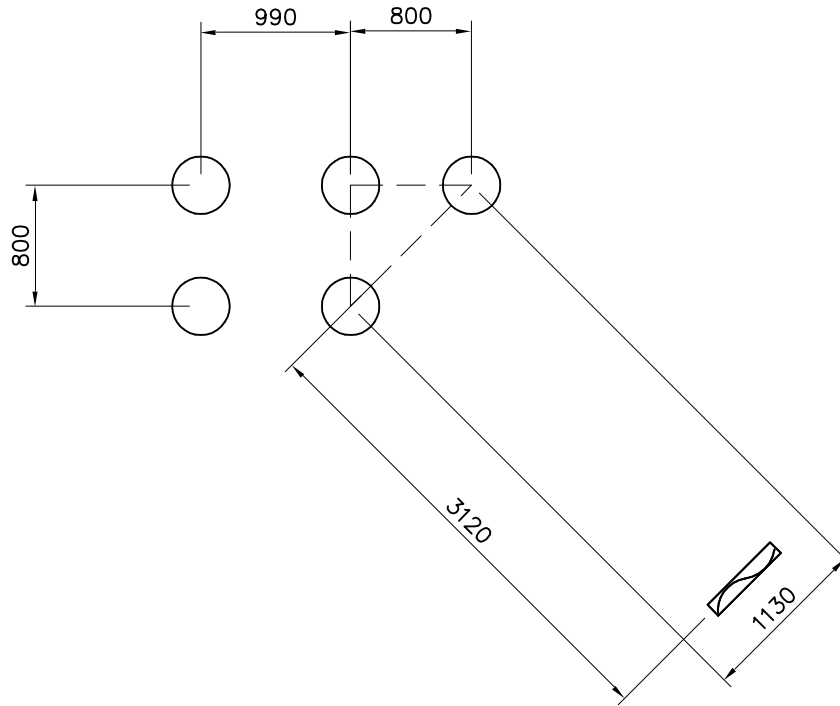
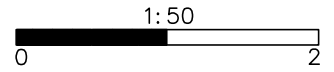
REF: 138140
DATE: 15.6.2003

138140



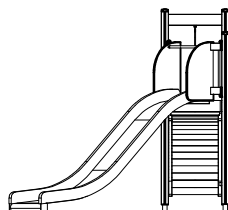
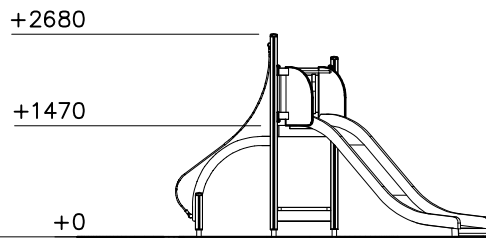
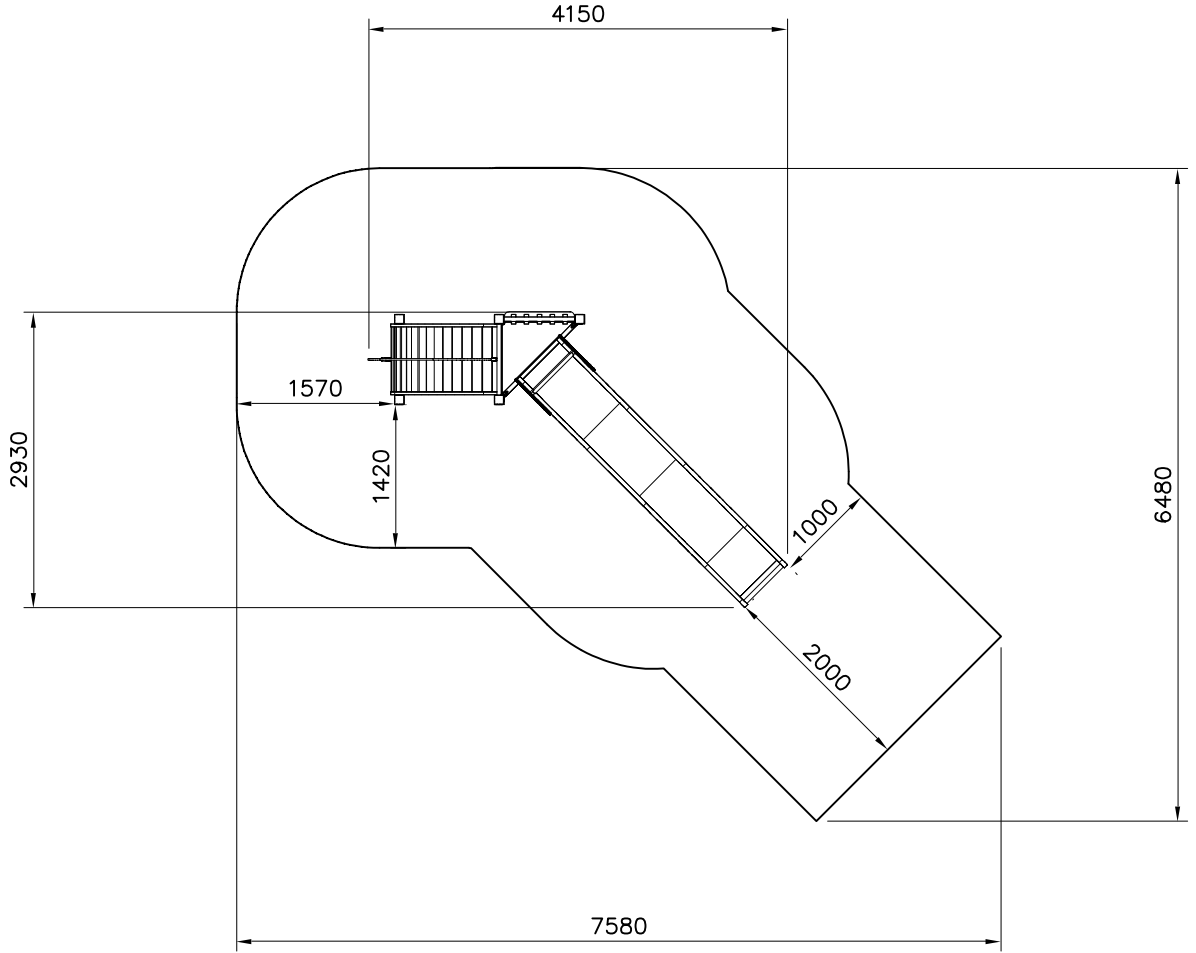
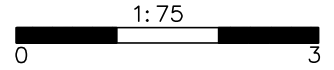


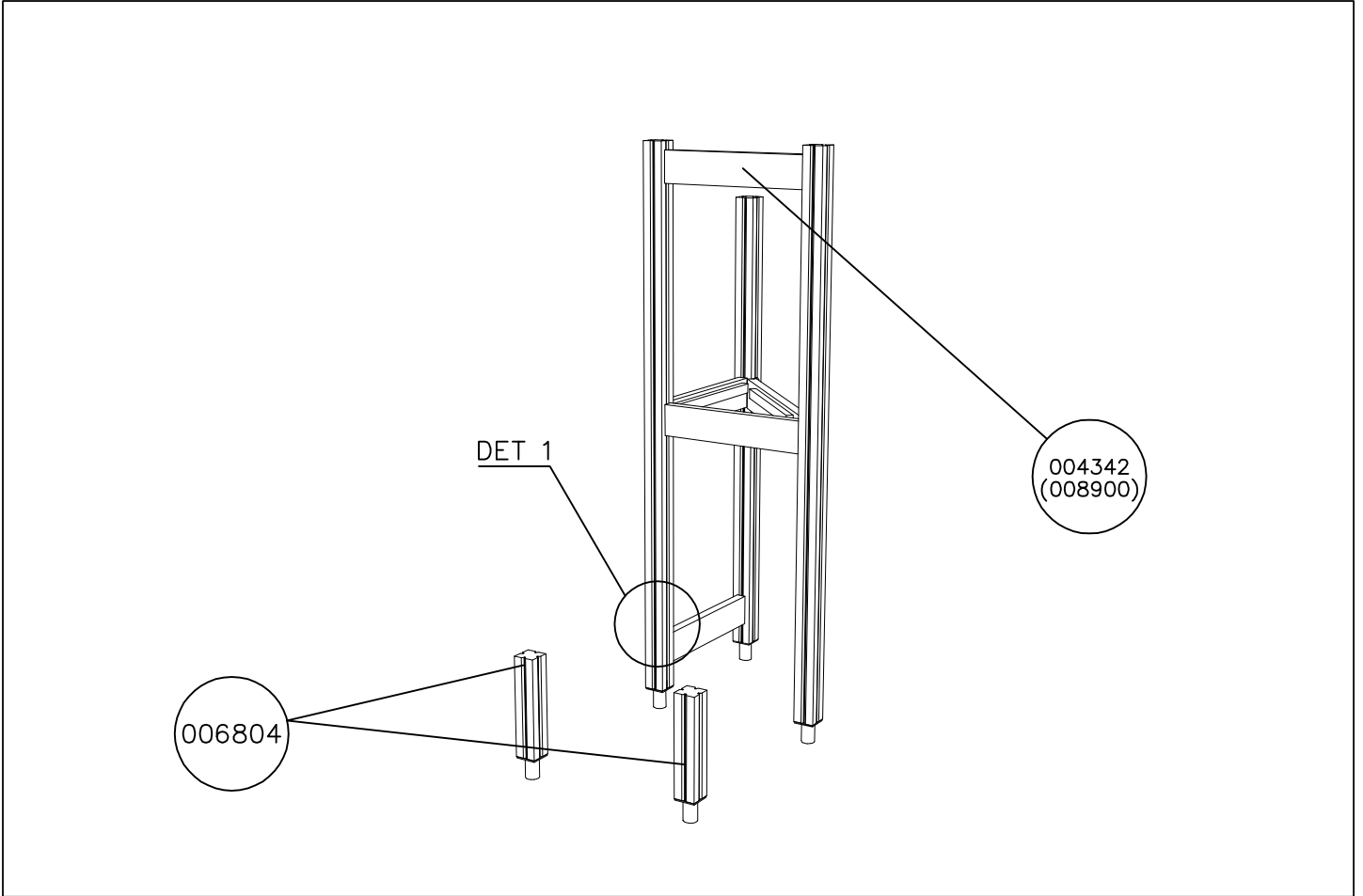
003614  PCS 1	006804  PCS 2 L 450	006822  PCS 1 L 2250	006825  PCS 2 L 2550	007333  PCS 1	008574  PCS 1
008705  PCS 1	008791  PCS 1	008900  PCS 1	008940  PCS 1 L 704	905051  PCS 4 Ø24/8.4	905104  PCS 20 M10
905120  PCS 10 Ø14	905137  PCS 5 YELLOW	905195  PCS 5 YELLOW	909238  PCS 4 8x90	909521  PCS 5	980131  PCS 20 6x60

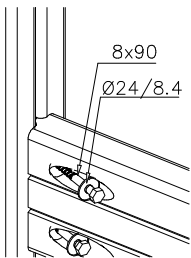
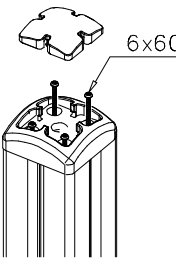


<p>M10 905104 909521</p>	<p>Sand 0.2-2 mm / Gravel 2-8 mm 100 300 600</p>	<p>Sand 0.2-2 mm / Gravel 2-8 mm 300 400</p>	

EN Impact Area 26.9 m²





DET 1 	DET 2 	DET 3 