

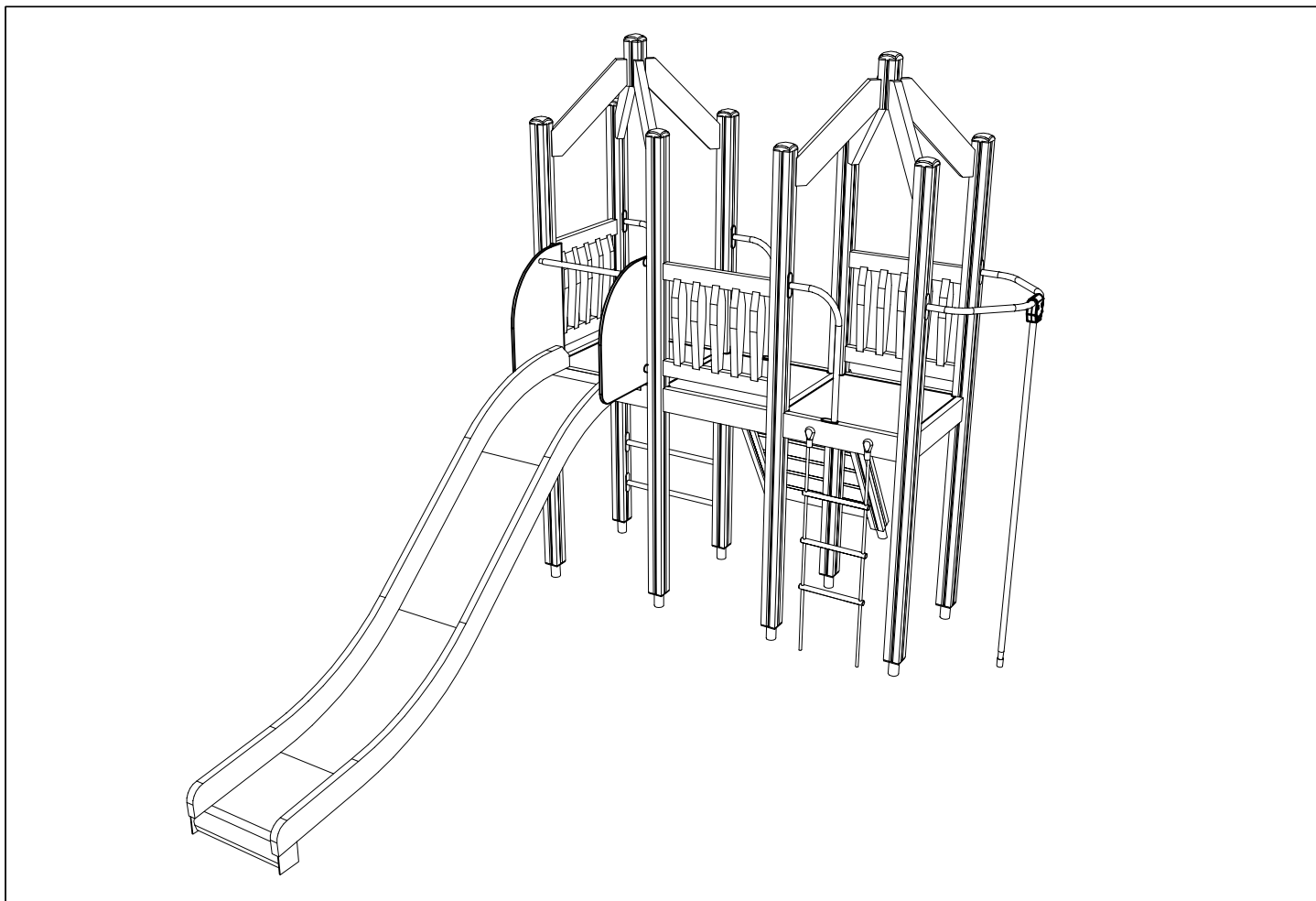
LAPPSET®

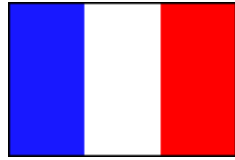
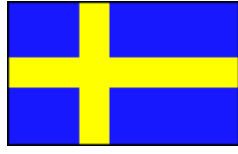
FUNDAMENTAL

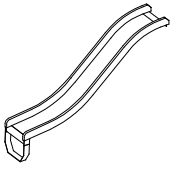

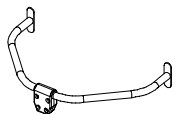
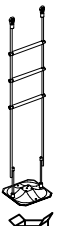
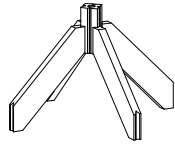
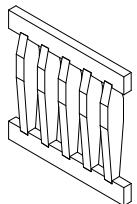
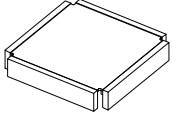
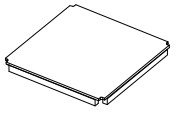
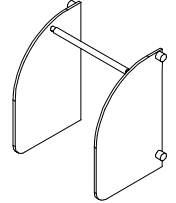
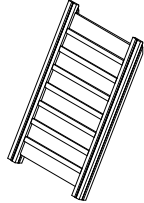
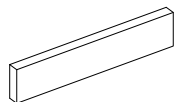

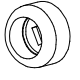
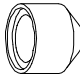

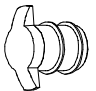
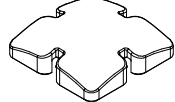
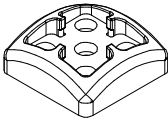

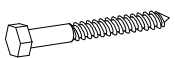
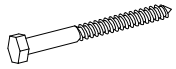
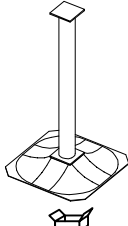
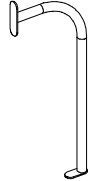
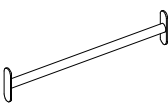


ASENNUSOHJE
MONTERINGSANSVISNING
INSTALLATION INSTRUCTION
AUFBAUANLEITUNG
NOTICE D'INSTALLATION

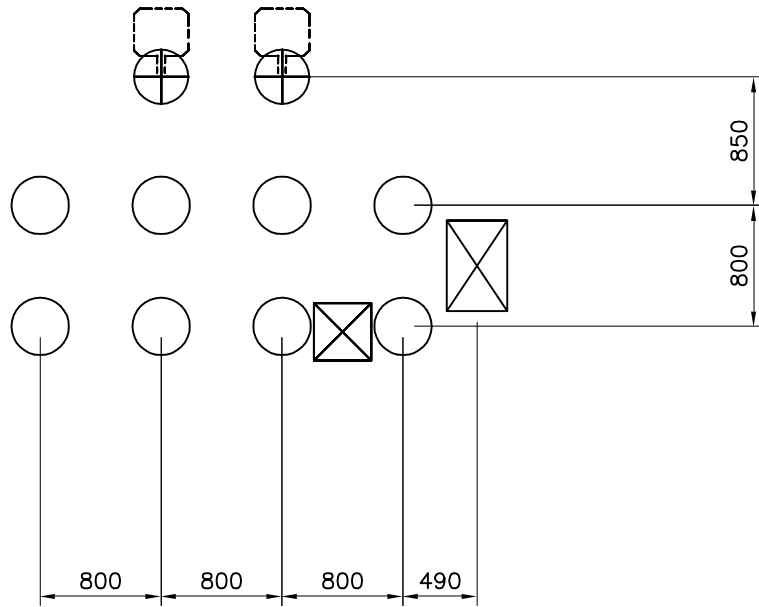
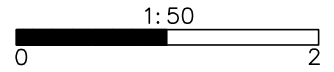
REF: 139101
DATE: 19.8.2003

139101



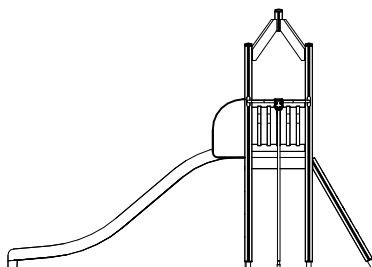
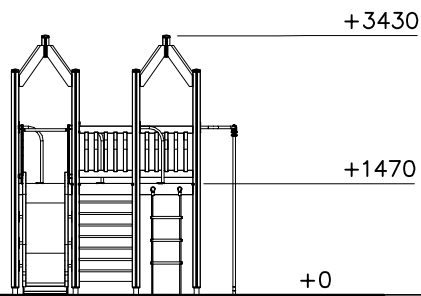
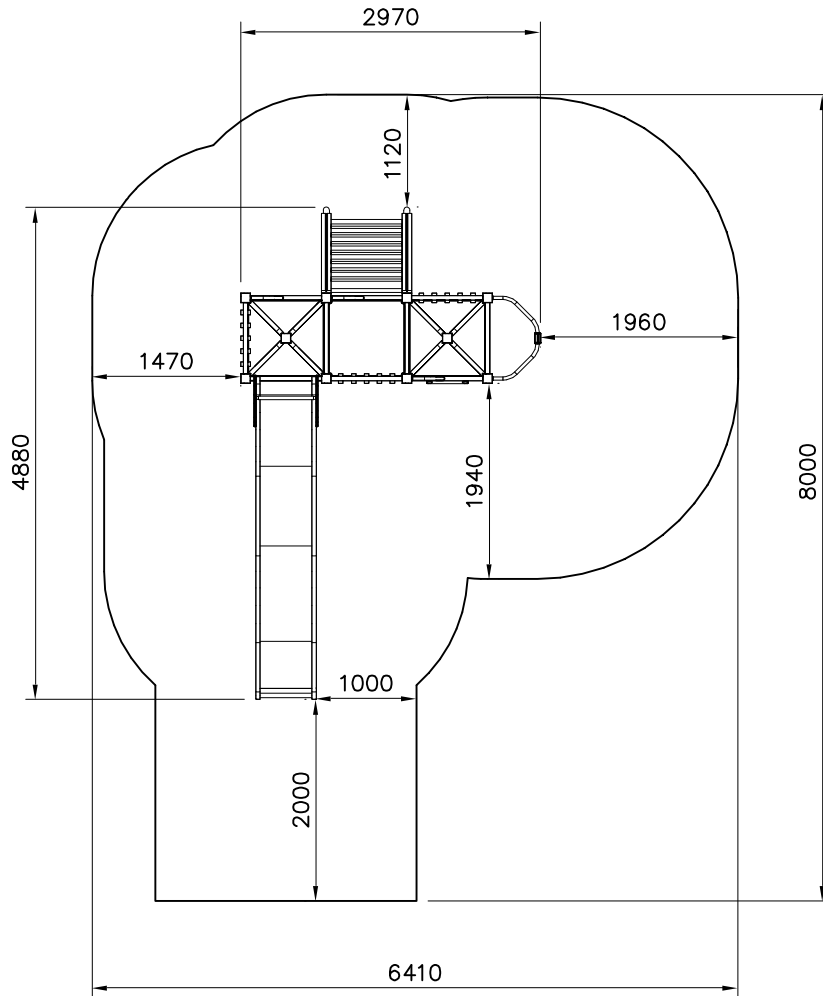
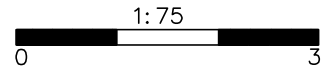


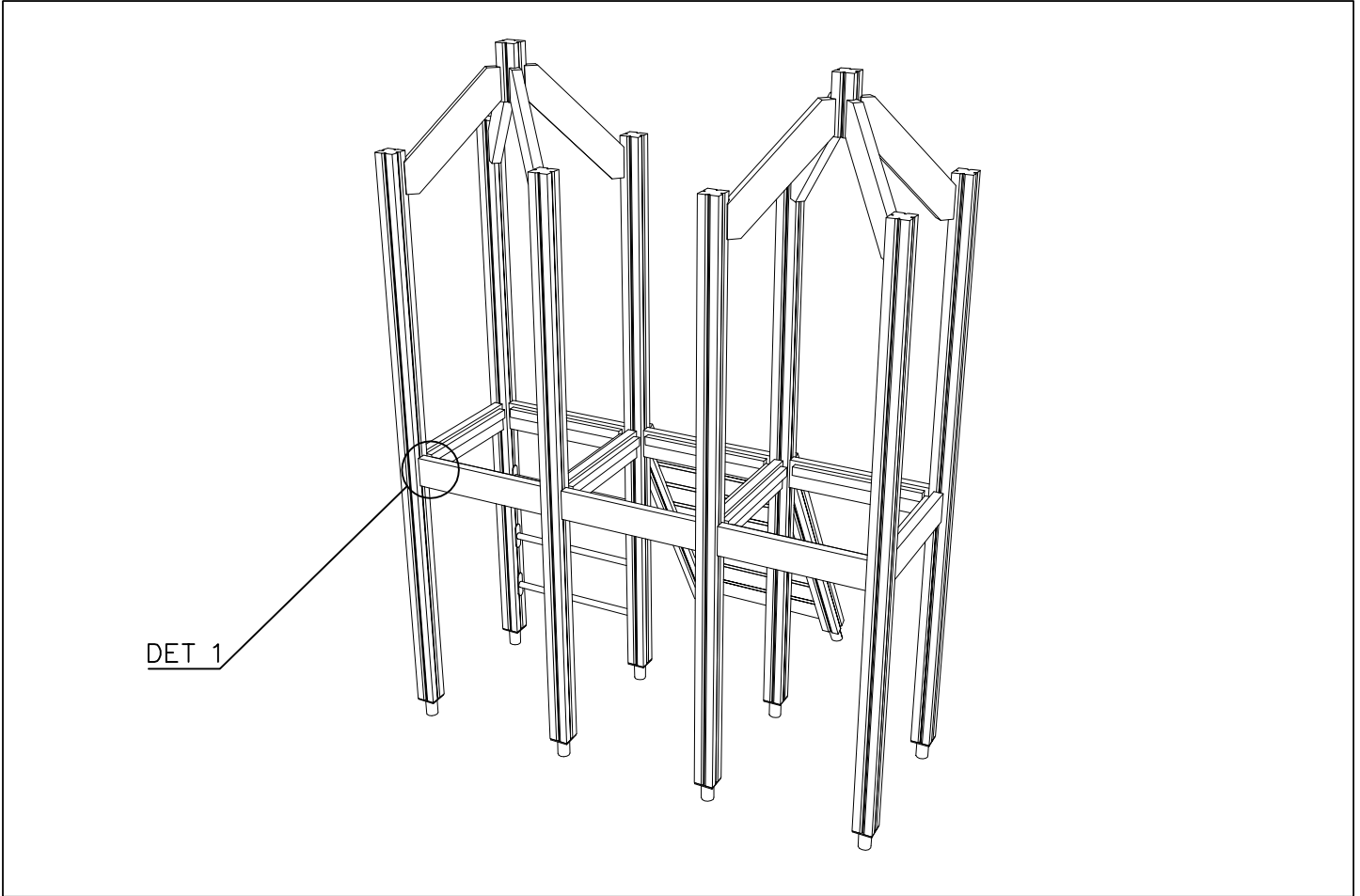
003614  L 2850	PCS 1	006828  L 2850	PCS 8	007077  L 2850	PCS 1	007229 	PCS 1	007601 	PCS 2	008574 	PCS 3
008701 	PCS 2	008711 	PCS 1	008790 	PCS 1	008904 	PCS 1	008940  L 704	PCS 2	905051  Ø24/8.4	PCS 8
905083  Ø32	PCS 21	905104  M10	PCS 40	905112  Ø22	PCS 21	905120  Ø14	PCS 16	905137  YELLOW	PCS 10	905195  YELLOW	PCS 10
907044  L 2090	PCS 1	909217  8x70	PCS 21	909238  8x90	PCS 8	909521 	PCS 10	909540 	PCS 3	909543  L 705	PCS 3
980131  6x60	PCS 40	980151  Ø16/8.4	PCS 21		PCS		PCS		PCS		PCS
	PCS		PCS		PCS		PCS		PCS		PCS
	PCS		PCS		PCS		PCS		PCS		PCS



<p>M10 905104 909521</p>	<p>Sand 0.2-2 mm / Gravel 2-8 mm 100 300 600</p>	<p>Sand 0.2-2 mm / Gravel 2-8 mm 100 300 580</p>	<p>Sand 0.2-2 mm / Gravel 2-8 mm 300 400</p>
<p>Sand 0.2-2 mm / Gravel 2-8 mm 300 600</p>	<p>Sand 0.2-2 mm / Gravel 2-8 mm 907040 300 600</p>		

EN Impact Area 36.6 m²





<p>DET 1</p> <p>8x90 Ø24/8.4</p>	<p>DET 2</p> <p>6x60</p>	<p>DET 3</p> <p>8x70 905083 905112 Ø16/8.4</p>	<p>DET 4</p> <p>905112 Ø16/8.4 905083 8x70</p>
<p>DET 5</p> <p>Ø16/8.4 905112 8x70 905083</p>	<p>DET 6</p> <p>905120</p>		

