

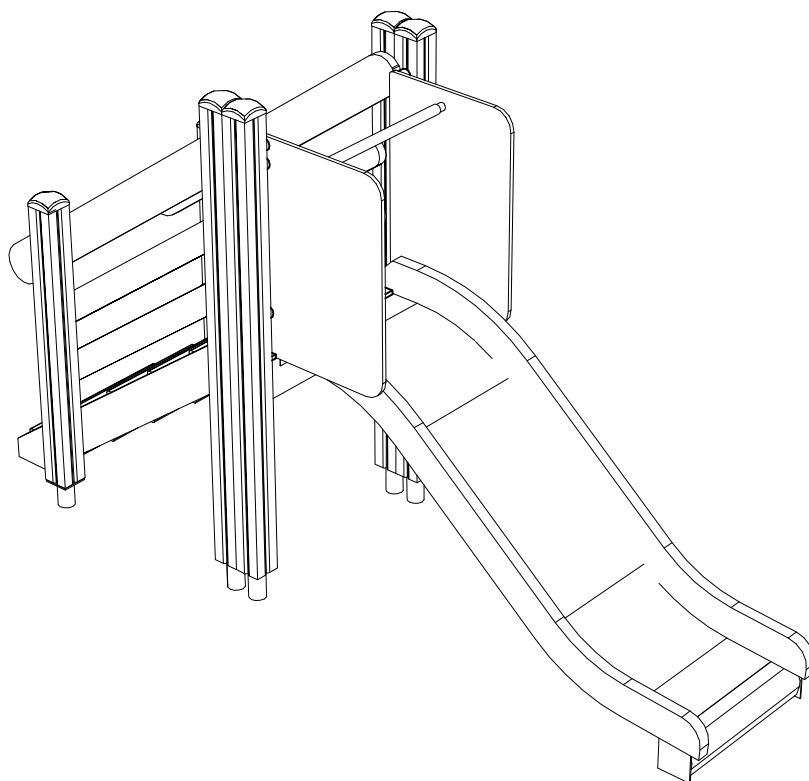
LAPPSET®

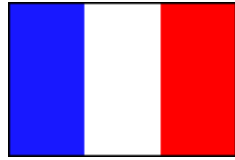
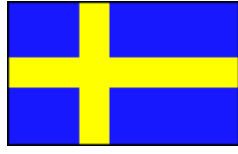
FINNO

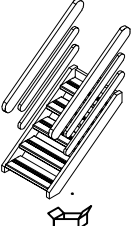
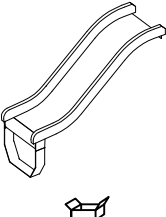
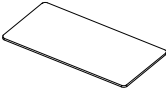
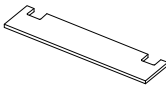

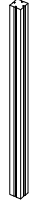
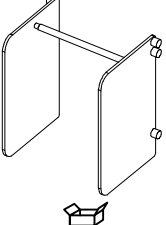
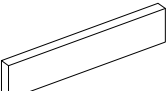

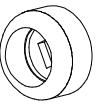
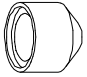
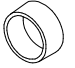
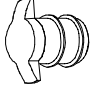
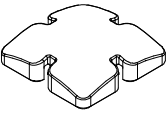
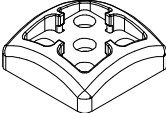


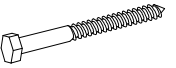

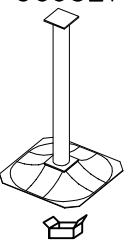
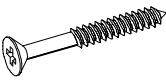


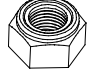

ASENNUSOHJE
MONTERINGSANSVISNING
INSTALLATION INSTRUCTION
AUFBAUANLEITUNG
NOTICE D'INSTALLATION

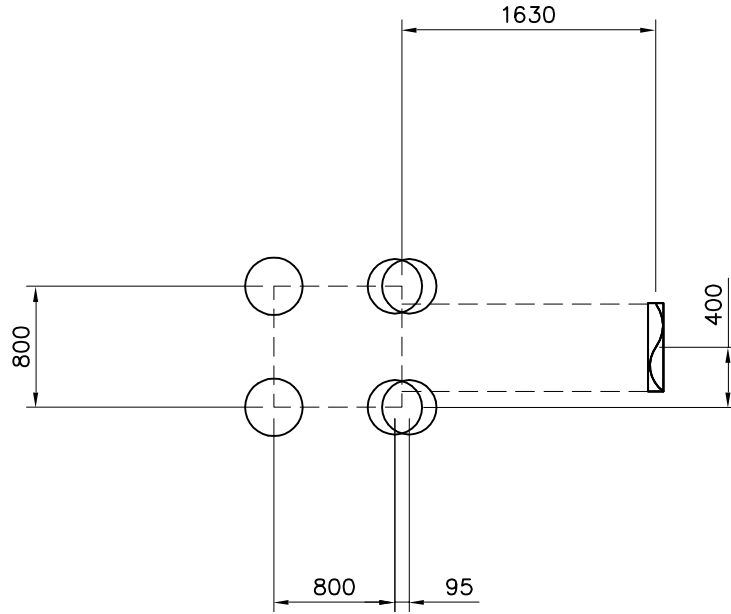
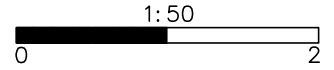
REF: 142015
DATE: 15.6.2003

142015



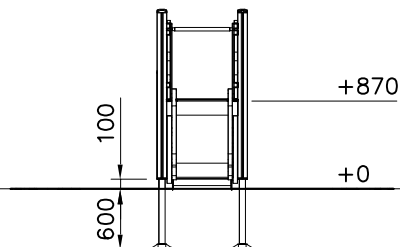
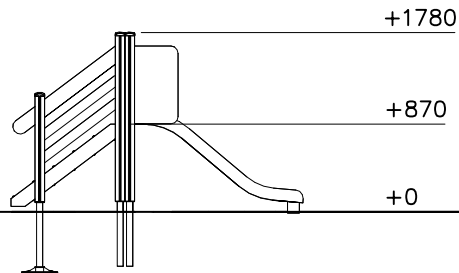
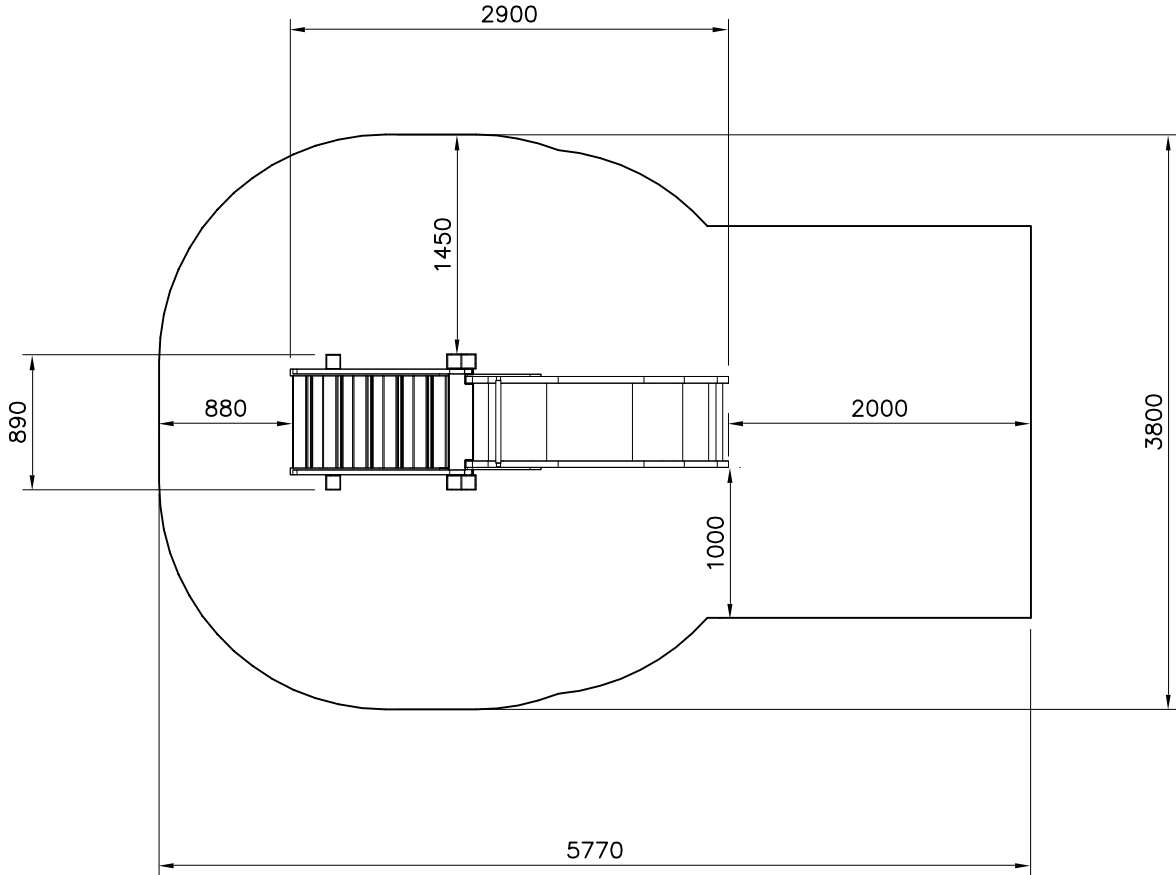
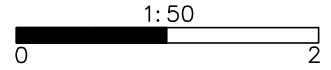


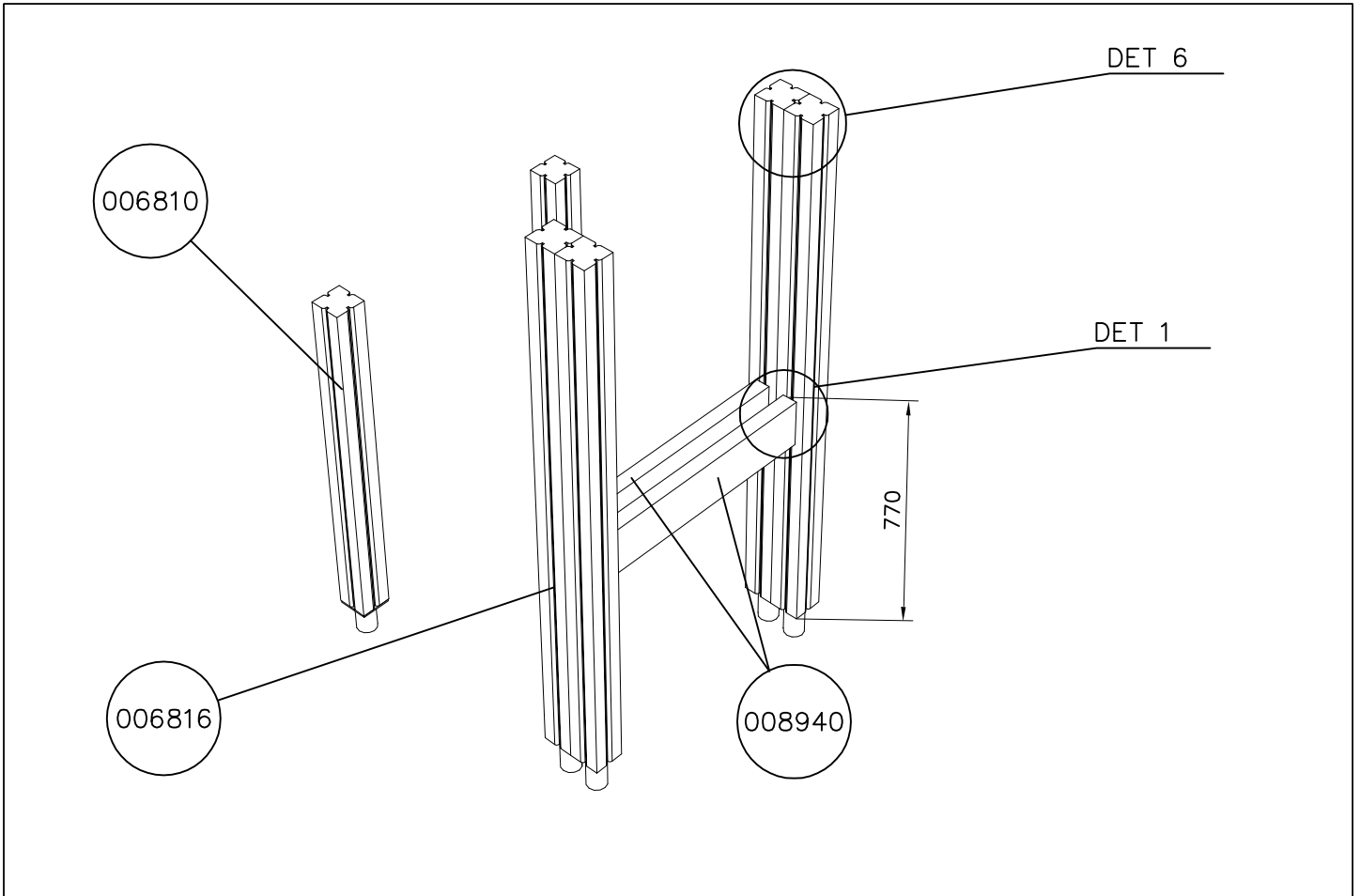
001845  PCS 1	003618  PCS 1	006212  PCS 2 6x200x400	006581  PCS 1 15x160x702	006810  PCS 2 L 1050	006816  PCS 4 L 1650
007630  PCS 1	008940  PCS 2 L 704	905051  PCS 40 Ø24/8.4	905090  PCS 4 Ø45	905104  PCS 24 M10	905115  PCS 4 Ø30
905120  PCS 8 Ø14	905138  PCS 6 GREY	905196  PCS 6 GREY	909144  PCS 2 12x220	909210  PCS 16 8x40	909238  PCS 8 8x90
909511  PCS 4	909521  PCS 2	980100  PCS 6 5x60	980131  PCS 24 6x60	980150  PCS 16 M8	909248  PCS 2 M12
980154  PCS 4 Ø24/13					



<p>M10 905104 909521</p>	<p>Sand 0.2–2 mm/ Gravel 2–8 mm 100 300 600</p>	<p>Sand 0.2–2 mm/ Gravel 2–8 mm 100 300 555</p>	<p>M8 Ø24/8.4 006212 8x40</p>
<p>Sand 0.2–2 mm/ Gravel 2–8 mm 300 400</p>			

EN Impact Area 17.8 m²





<p>DET 1</p> <p>8x90 Ø24/8.4</p>	<p>DET 2</p> <p>6x60</p>	<p>DET 3</p> <p>905120</p>	<p>DET 4</p> <p>5x60 6581</p>
<p>DET 5</p> <p>006581 005695 5x60</p>	<p>DET 6</p> <p>905090 Ø24/13 Ø12x220 905115 M12</p>		

