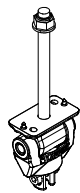
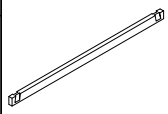

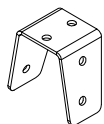


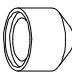
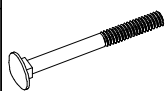

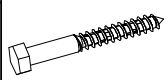
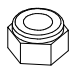


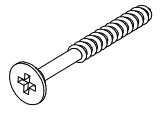
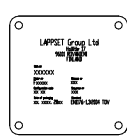
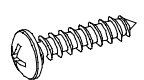
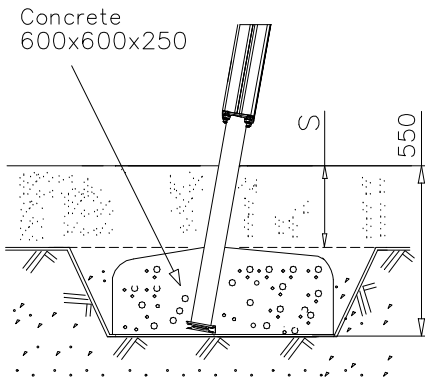
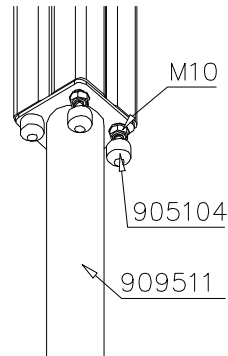


①	907578	PCS	②	703286	PCS
		4			1
				70x145x3200	
③	703351	PCS	④	905015	PCS
		4			2
	93x93x2650				
⑤	905067	PCS	⑥	905087	PCS
		4			8
	S35H				
⑦	905104	PCS	⑧	909110	PCS
		16			8
	M10			M12x120	
⑨	909136	PCS	⑩	909224	PCS
		2			2
	M12x180			12x100	
⑪	909248	PCS	⑫	909511	PCS
		10			4
	M12			90x90x650	
⑬	980154	PCS	⑭	980107	PCS
		14			8
	Ø24/13			Ø6x60	
⑮	702286	PCS	⑯	909506	PCS
		1			4
	65x65			Ø3,5x13	

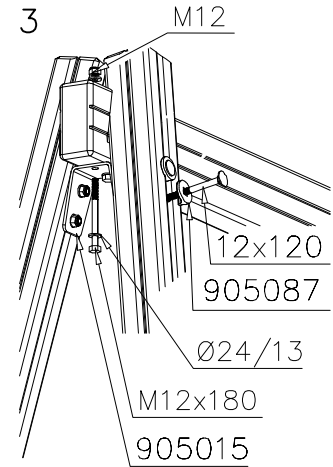
DET 1



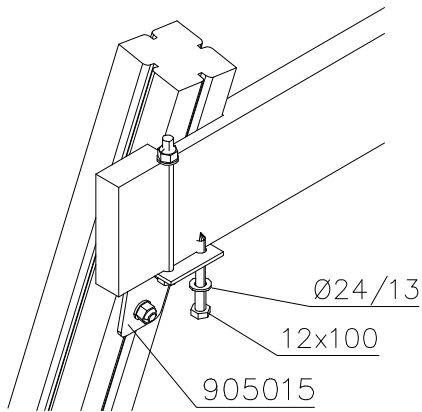
DET 2



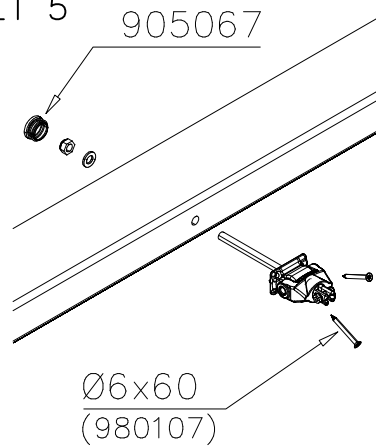
DET 3



DET 4



DET 5



EN Impact Area 25.5 m²
 Falling space 25.5 m²
 Max falling height 1400 mm.

